

ASSEMBLY INSTRUCTIONS



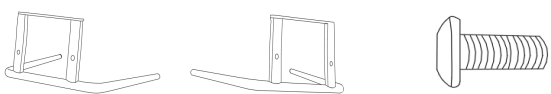
LIVING ROOM CHAIR

If you feel that the chair is not balance you can adjust the foot nails to level according to your needs



Be sure to keep spare parts.

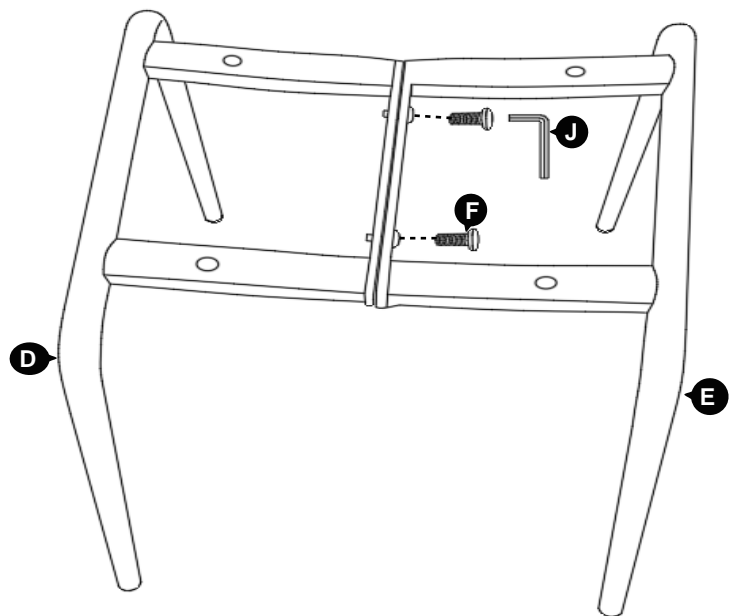
If screws or nails of a product are damaged or lost, or screws or nails of a subsequent product are damaged or aged, spare parts can be used to replace them.

1

Dx1

Ex1

Fx2



Note: Do not install screws directly to 100% please follow the instructions to install.

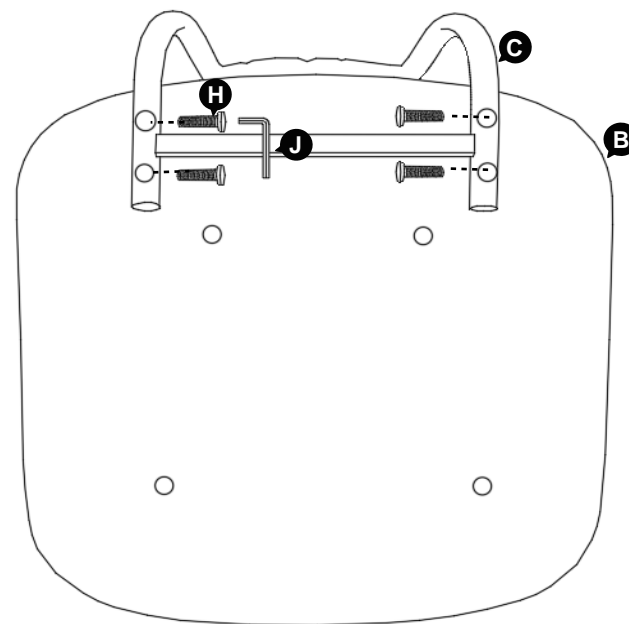
Please install screw **F** to 50%.

2

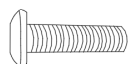
Bx1

Cx1

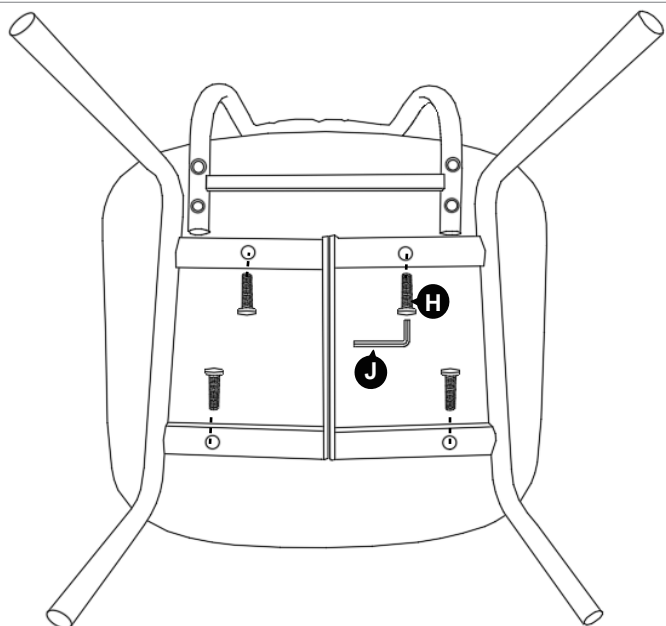
Hx4



Please preinstall 4 screws **H** to 50% in order.

3

Hx4

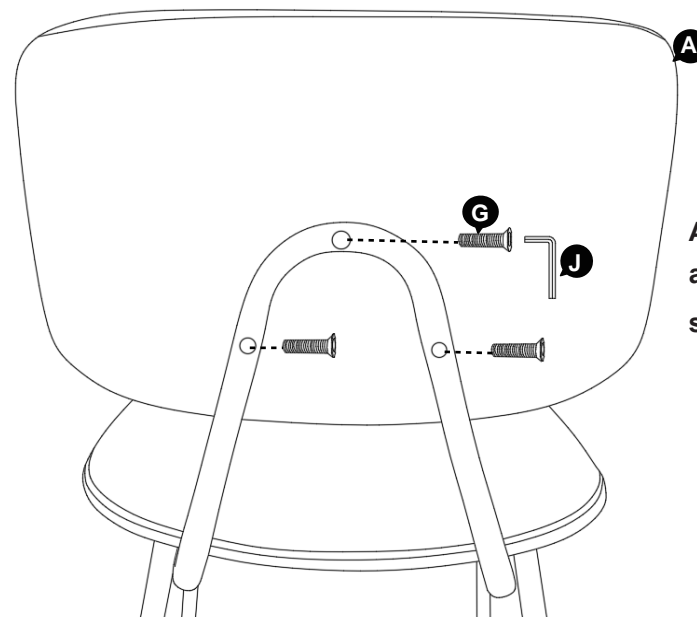


Please preinstall 4 screws **H** to 50% in order.

4

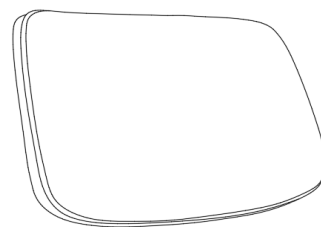
Ax1

Gx3

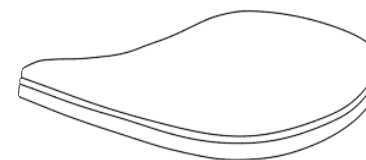


Please install screw **G** to 50%.
After all screws (**F-H-G**) are pre-installed tighten all screws to 100% in turn.

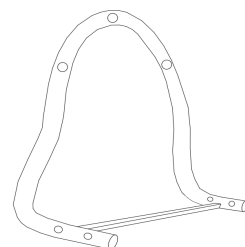
SPARE PARTS



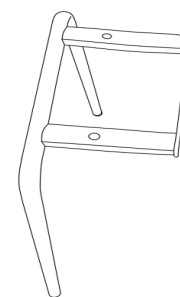
Ax1



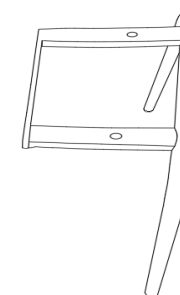
Bx1



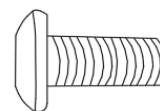
Cx1



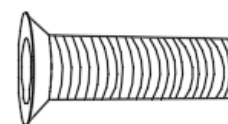
Dx1



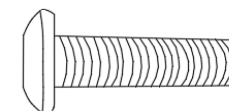
Ex1



Fx2+1extra
(M6*12mm)



Gx3+1extra
(M6*35mm)



Hx8+1extra
(M6*35mm)



Jx1