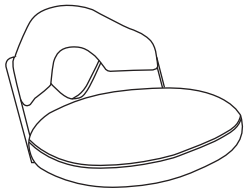
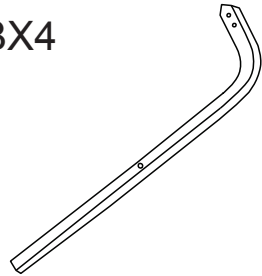


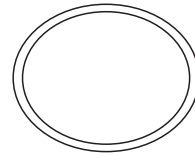
AX1



BX4



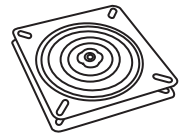
CX1



DX1



EX1

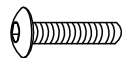


FX12+1



M6X20mm

GX4+1



M6X30mm

HX4+1



Plastic caps

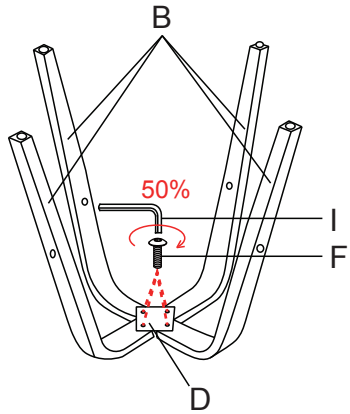
IX1



M6

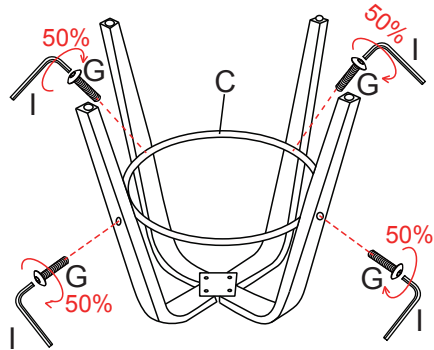
ASSEMBLY INSTRUCTION

①



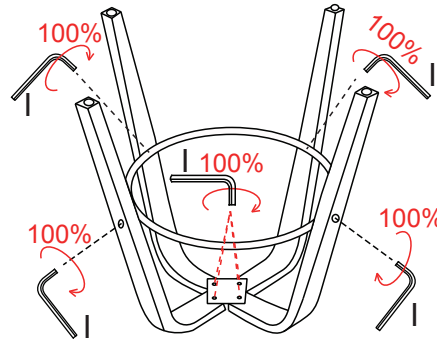
Note: Do NOT tighten the screws(F) in step 1

②



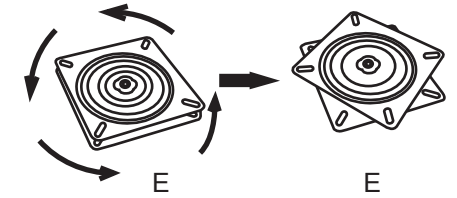
Note: Do NOT tighten the screws(G) in step 2

③



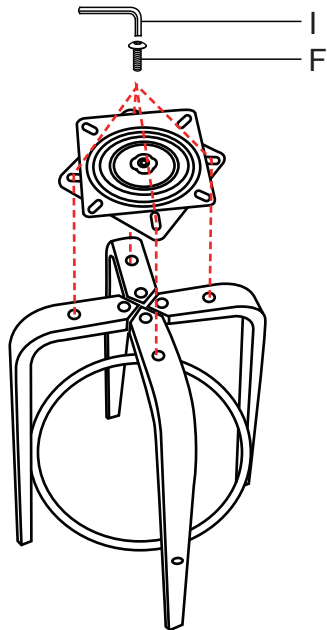
Note: Tighten the screws(F) and screws(G) in step 3

④

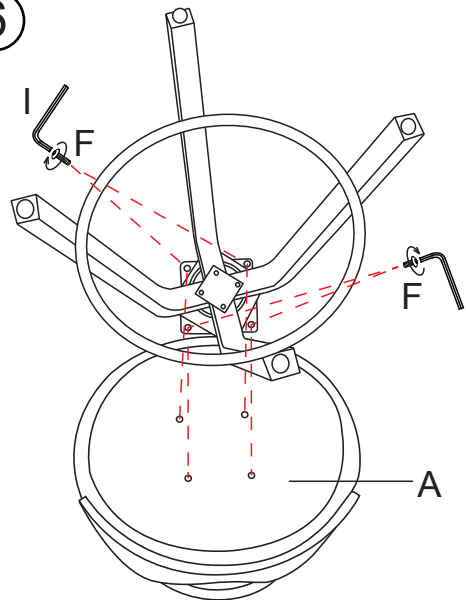


Note: Part E can be swivel

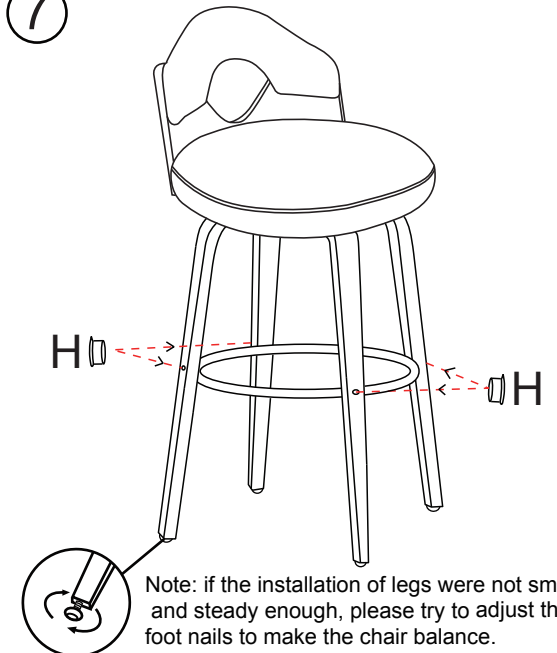
⑤



⑥



⑦



Note: if the installation of legs were not smooth and steady enough, please try to adjust the foot nails to make the chair balance.