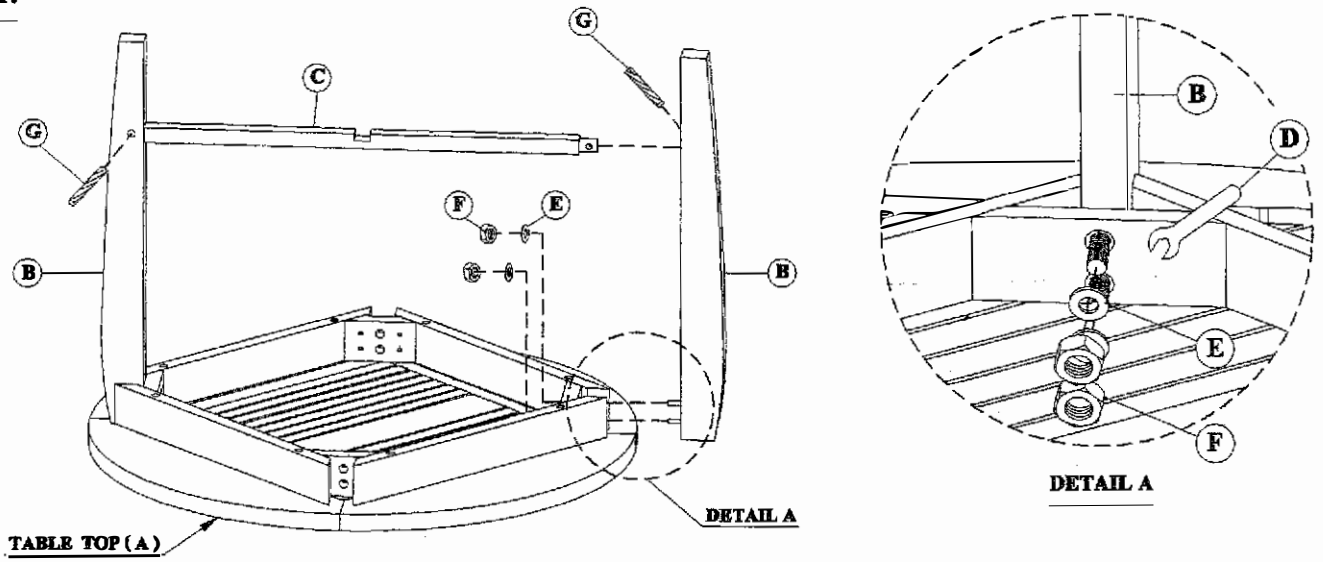
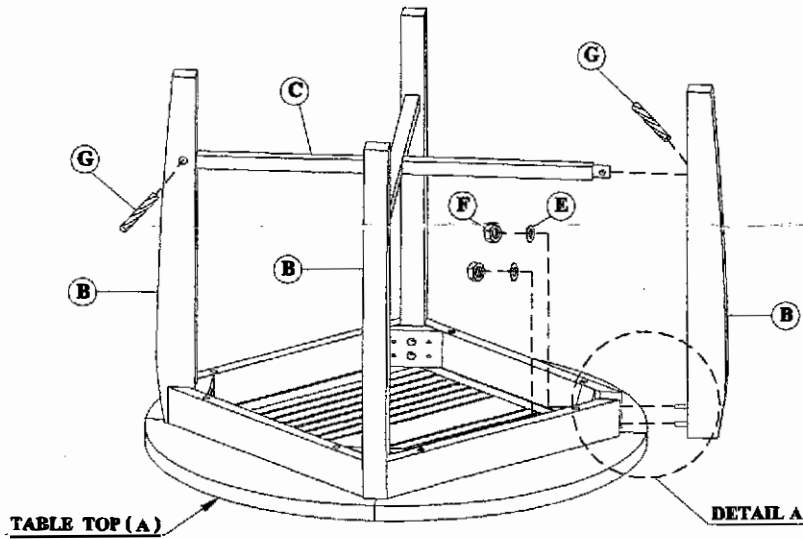


ASSEMBLY INSTRUCTIONS
TEAKWOOD ROYAL TEA TABLE (ATF86)

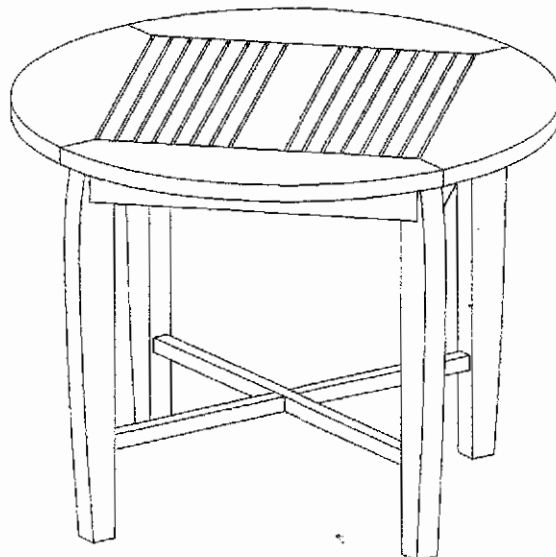
STEP 1.



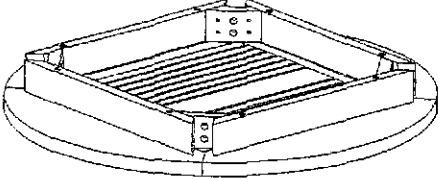
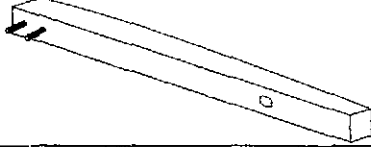
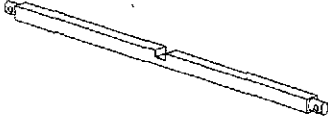




STEP 2.



STEP 3.



ASSEMBLY INSTRUCTIONS
TEAKWOOD ROYAL TEA TABLE (ATF86)

NO.	PARTS	QTY.
A	<p style="text-align: center;">TOP</p> 	1
B	<p style="text-align: center;">LEGS.</p> 	4
C	<p style="text-align: center;">LEG CROSS</p> 	2
D	<p style="text-align: center;">WRENCH</p> 	1
E	<p style="text-align: center;">WASHER</p> 	8+1
F	<p style="text-align: center;">NUT</p> 	8+1
G	<p style="text-align: center;">DOWEL</p> 	4+1