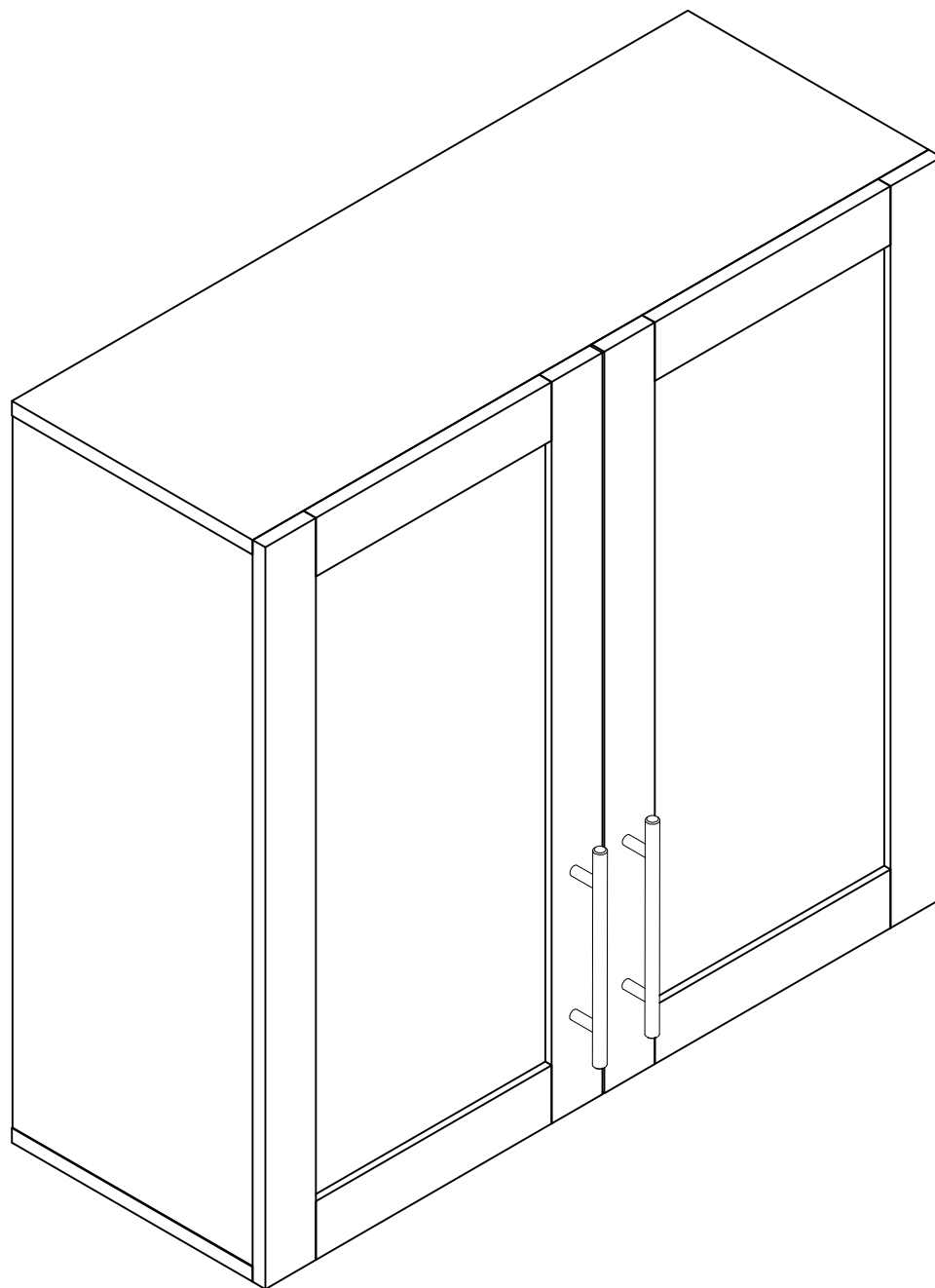
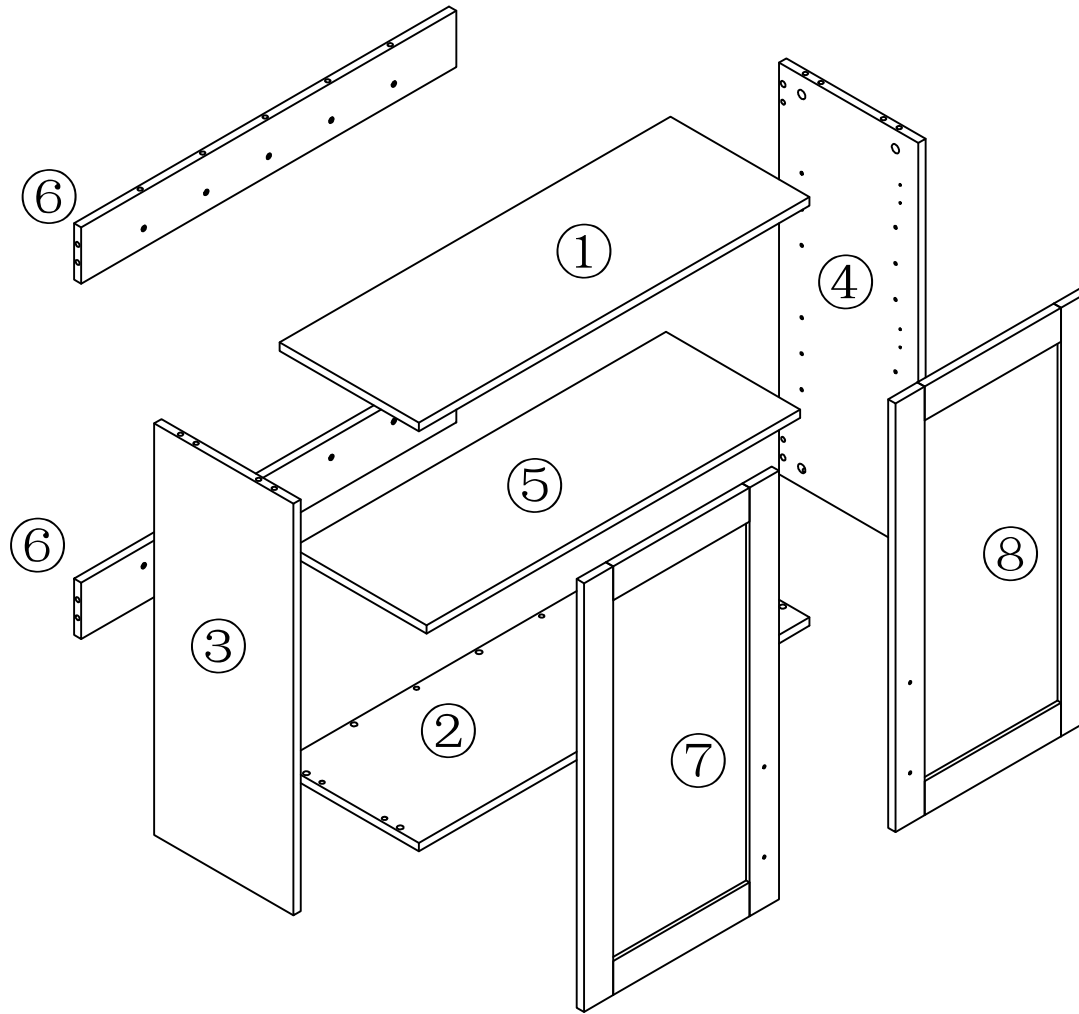


Installation & Assembly





A



18PCS

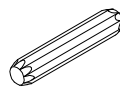
B



18PCS

C

8*40



16PCS

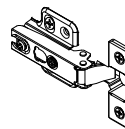
D

3.5*14



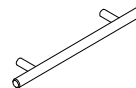
24PCS

E



6PCS

F



2PCS

G

4*18



4PCS

H



4PCS

I

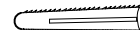
4*50



10PCS

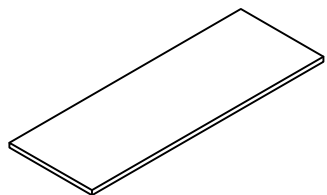
J

8*40



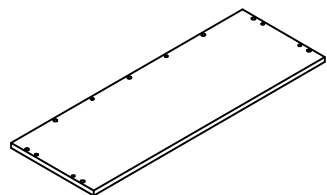
10PCS

1



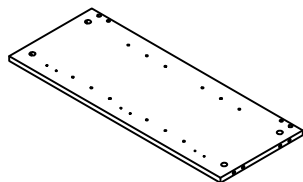
800*285 1PS

2



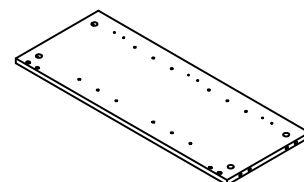
800*285 1PS

3



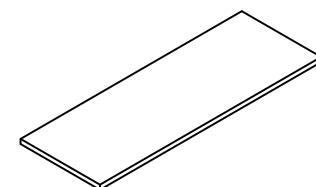
730*285 1PS

4



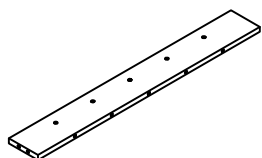
730*285 1PS

5



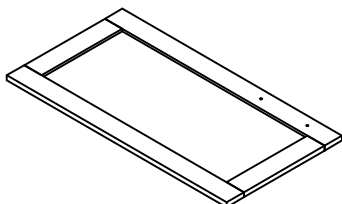
765*275 1PS

6



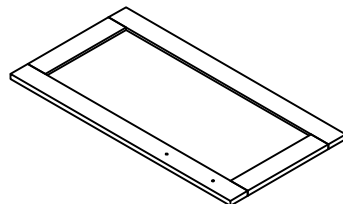
768*100 2PS

7



760*399 1PS

8



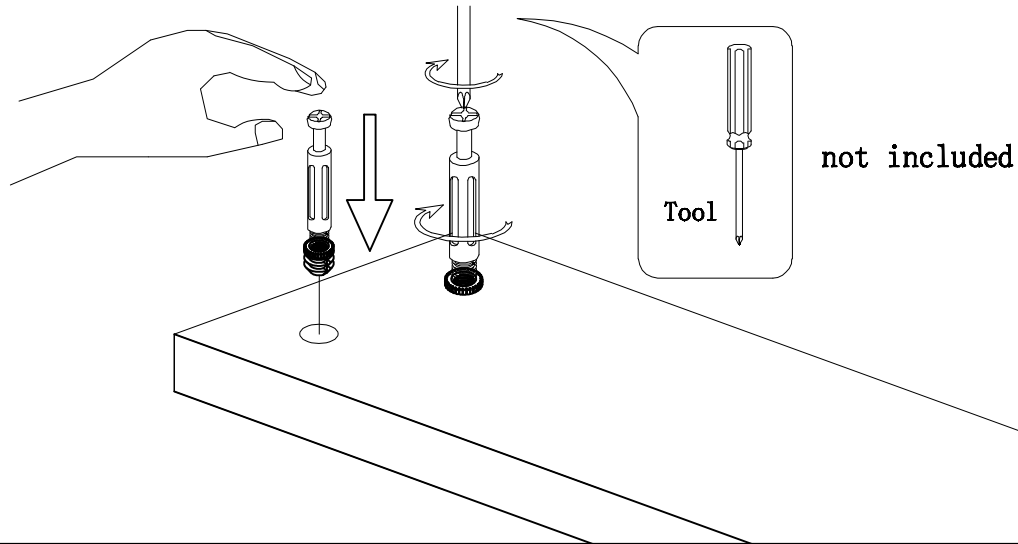
760*399 1PS



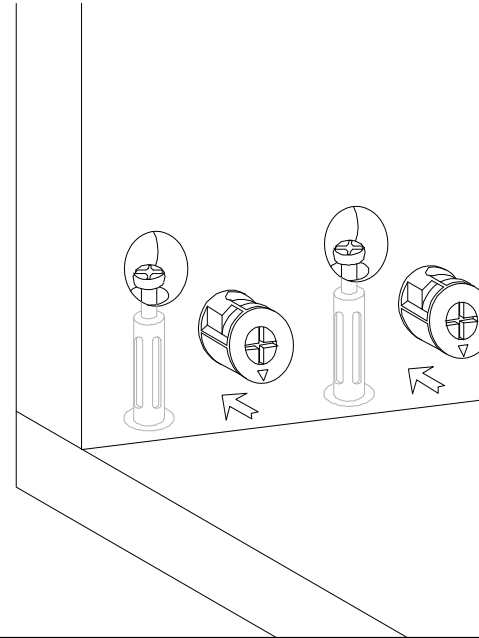
Hardware installation demonstration

NOTE: Please make sure "A" hardware tightened and can't be pulled out!

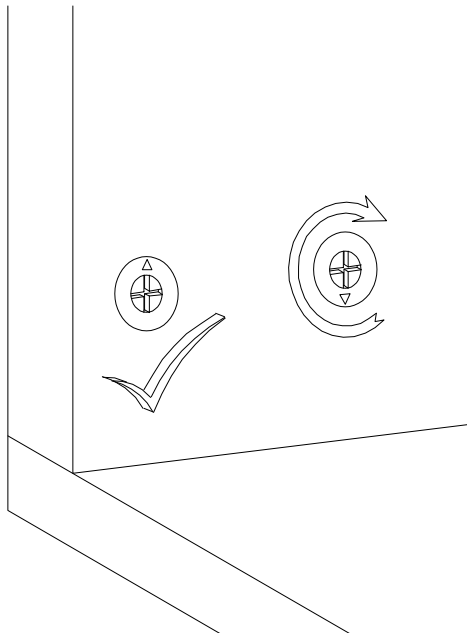
I



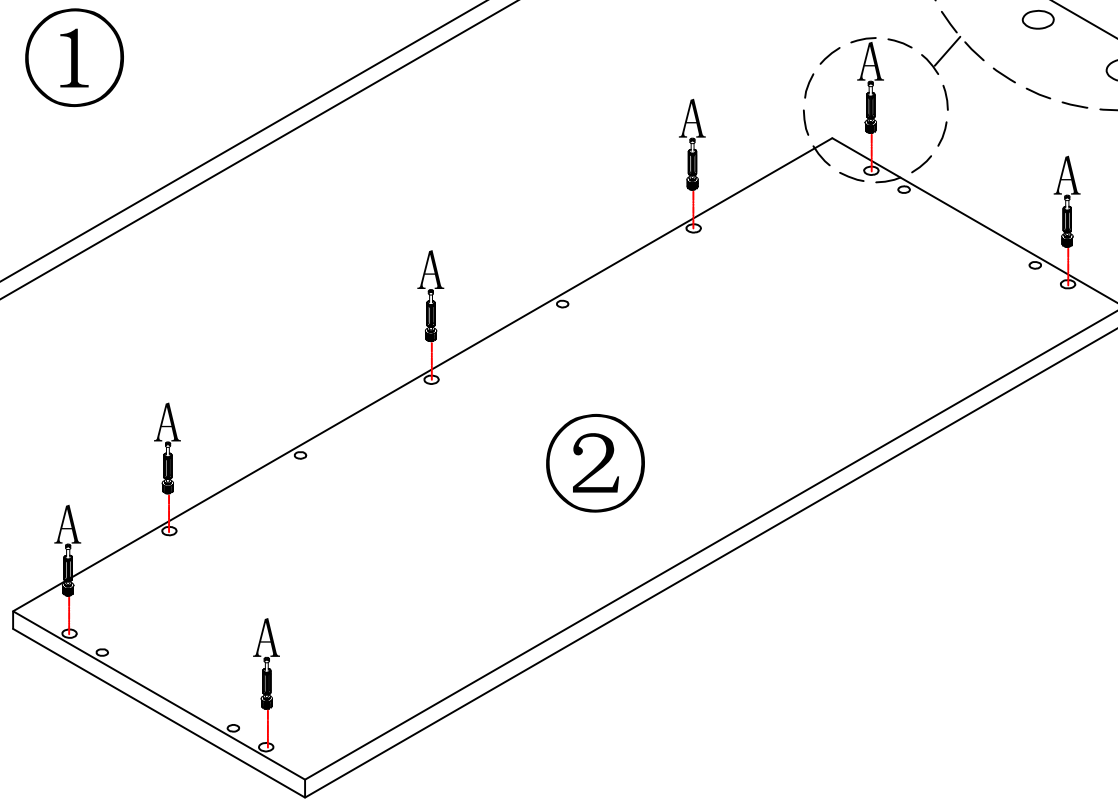
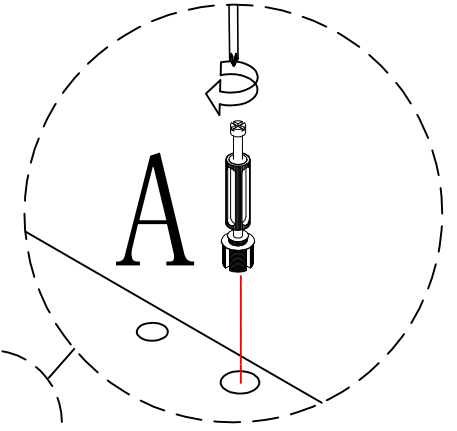
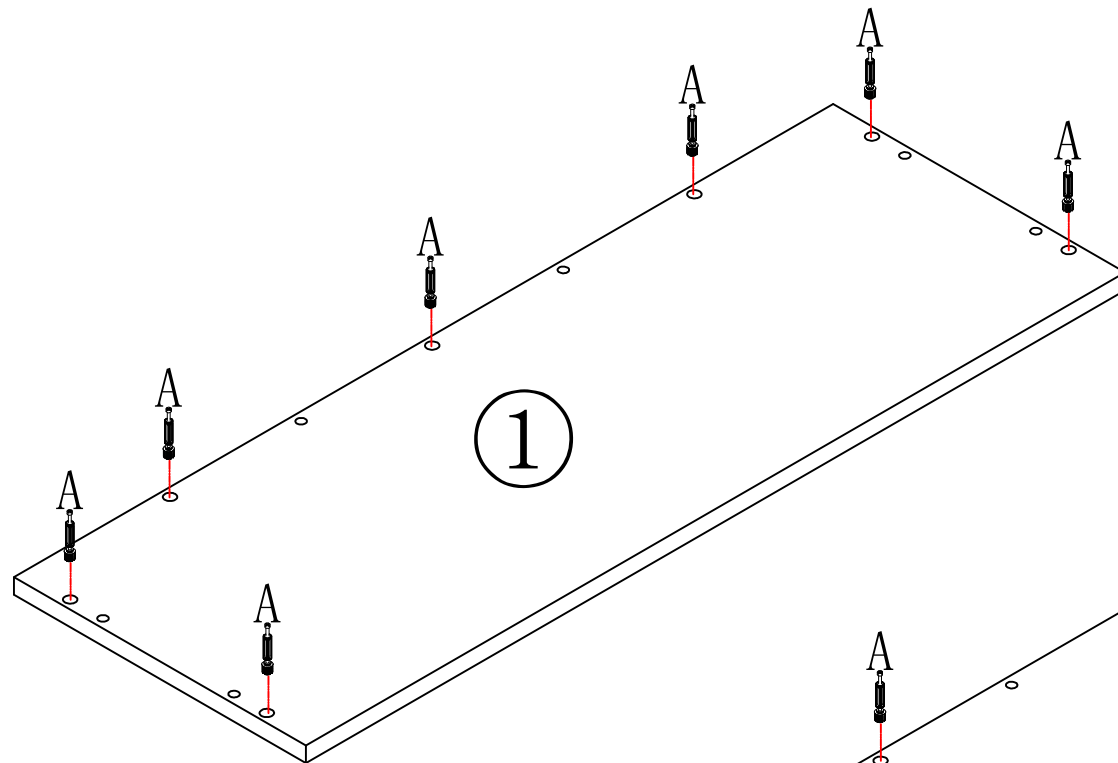
II



III



①

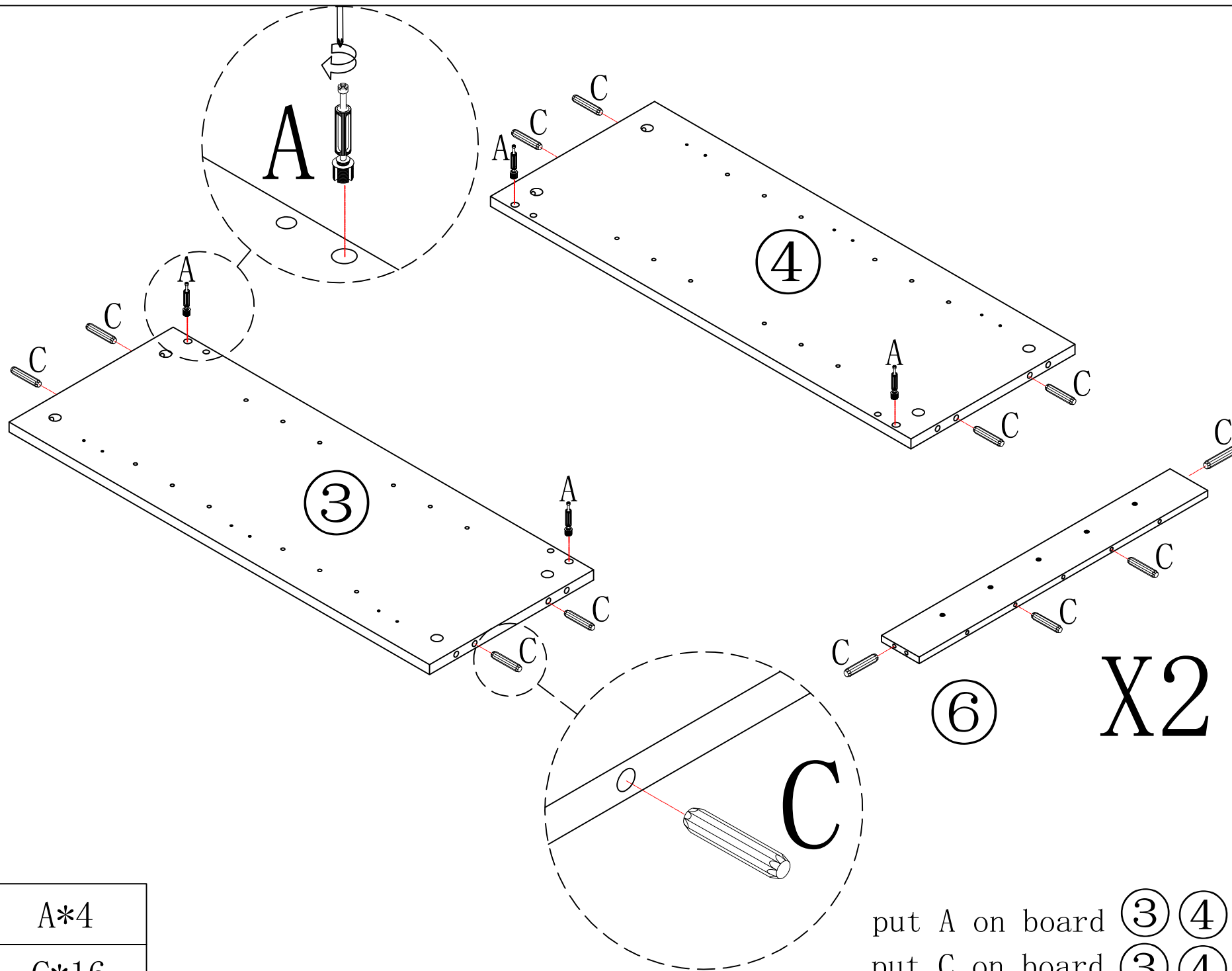


put A on board ① ②



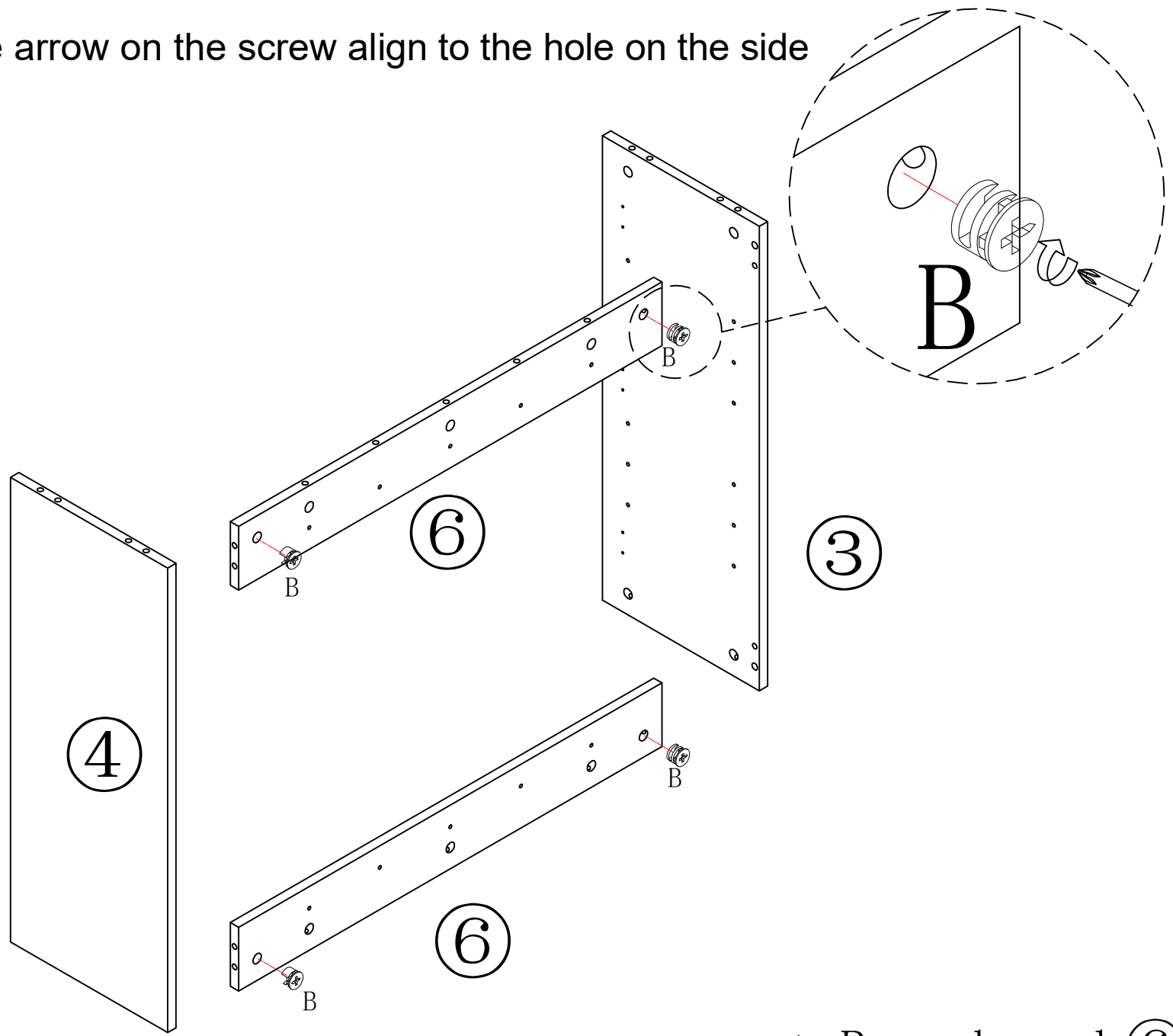
A*14

2



3

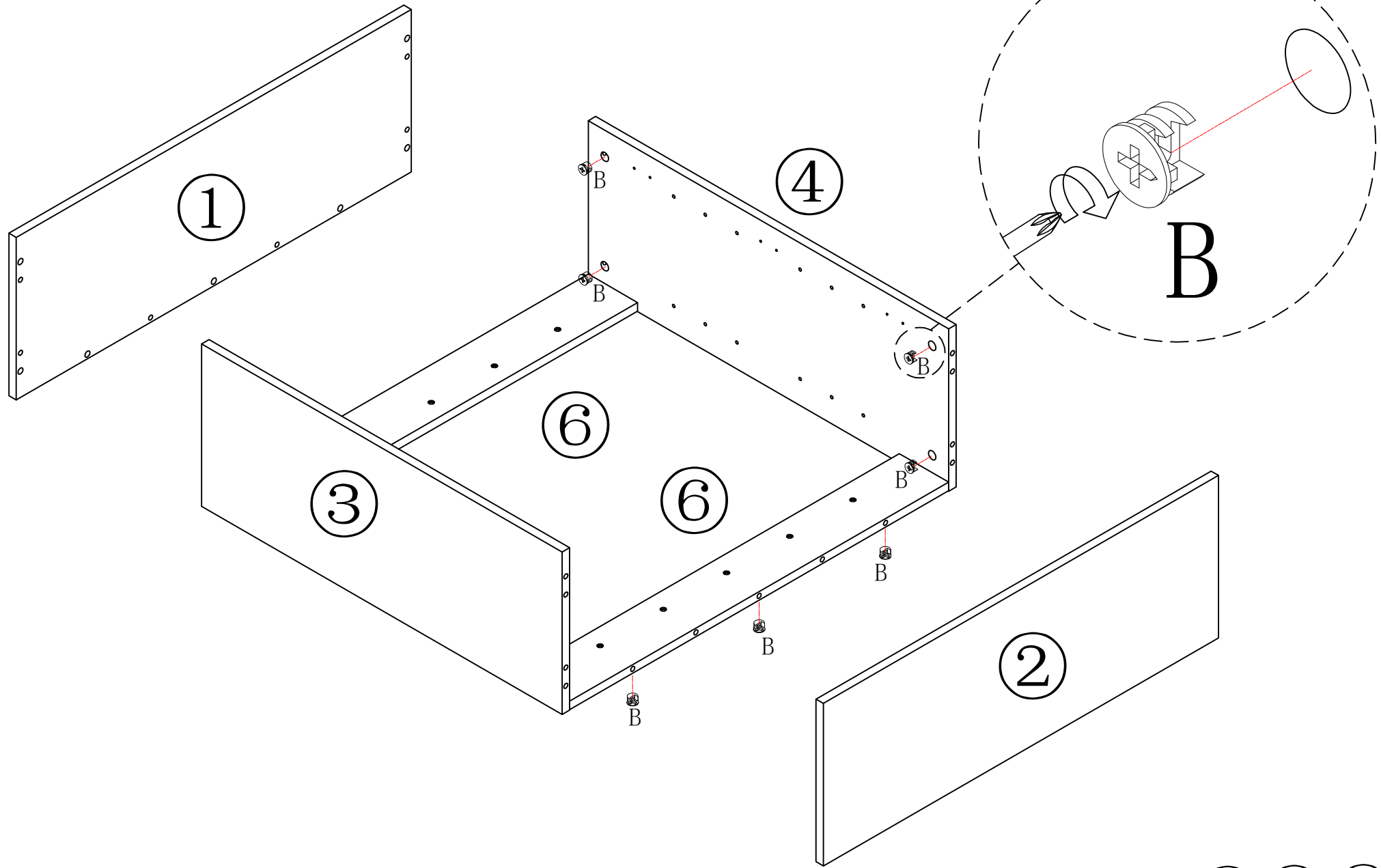
Make sure the arrow on the screw align to the hole on the side



B*4

put B on board 6

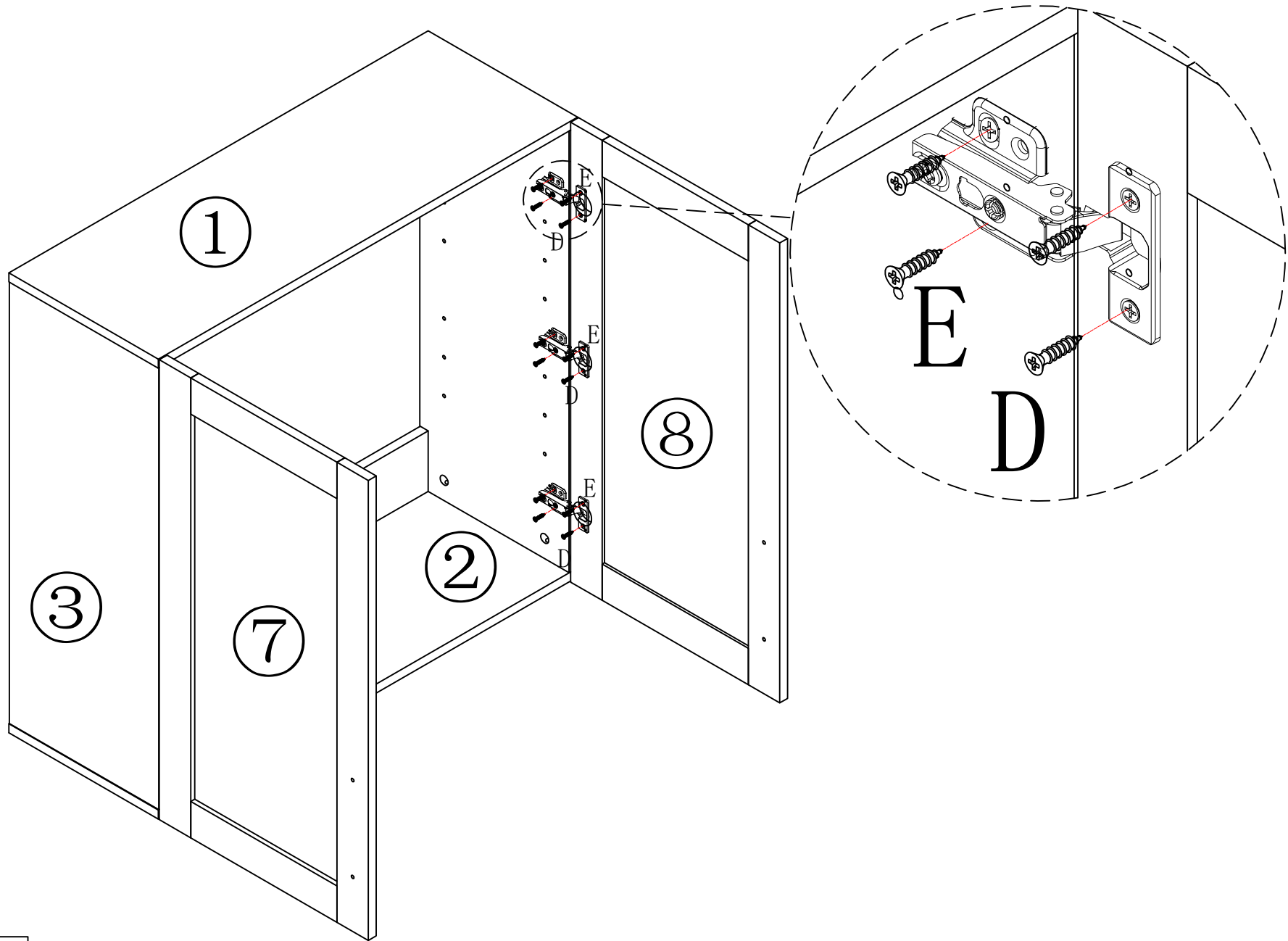
④



 B*14

put B on board ③ ④ ⑥

5

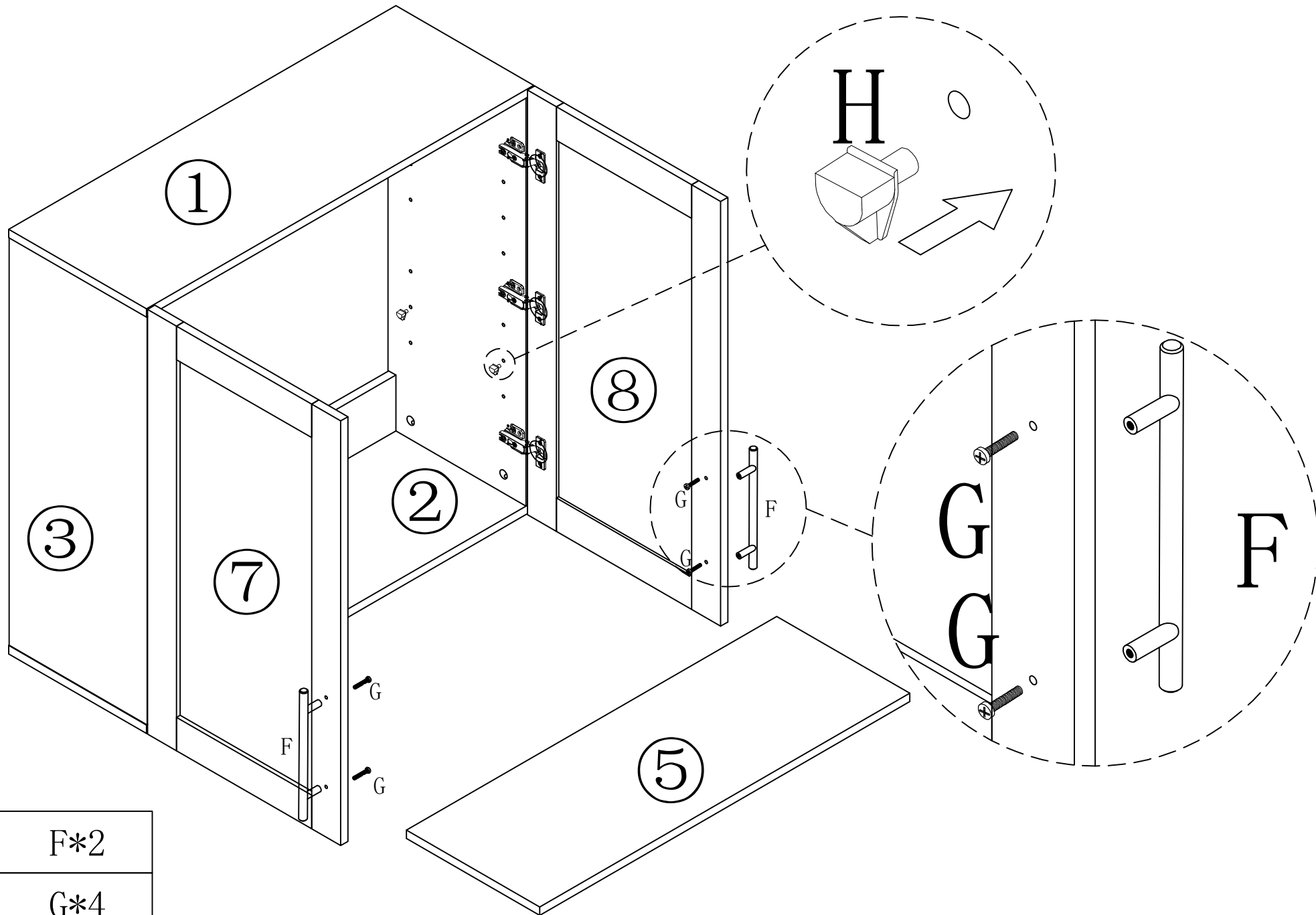


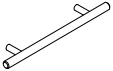


D*24



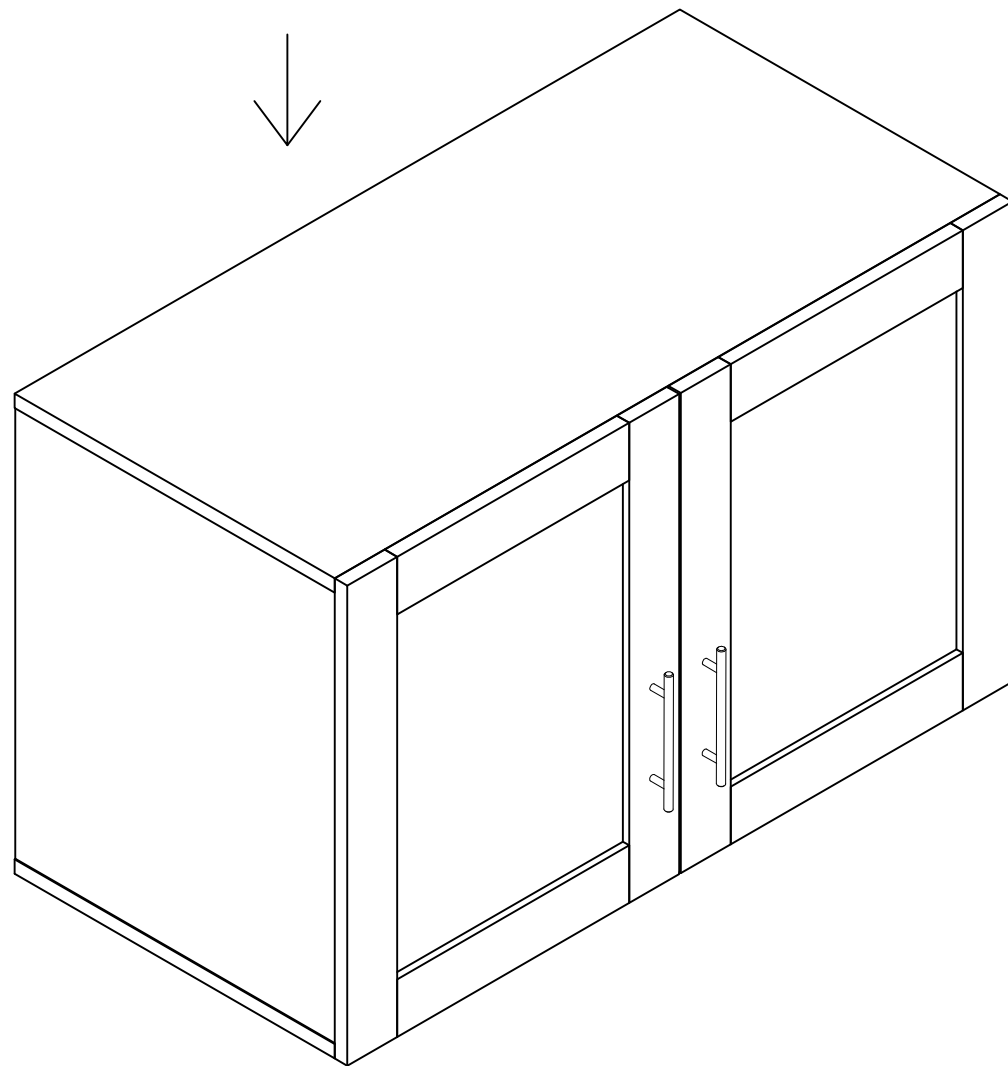
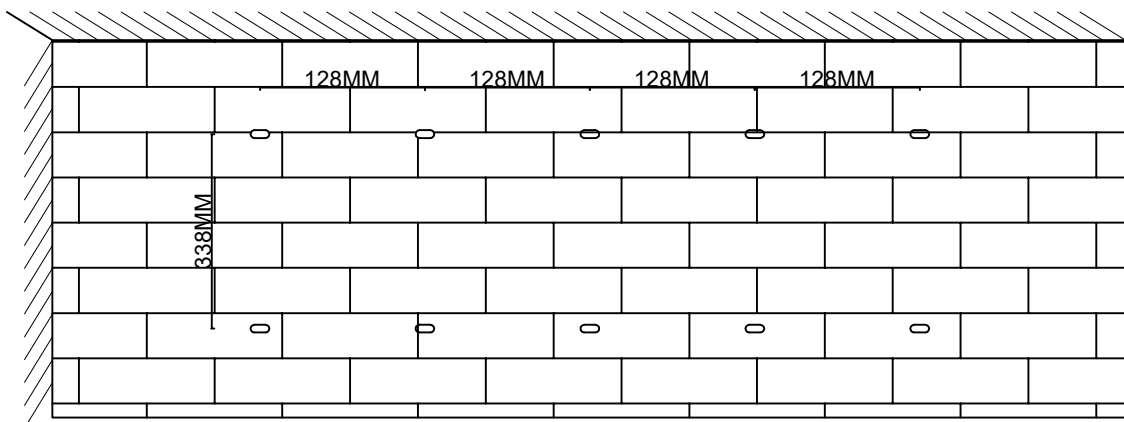
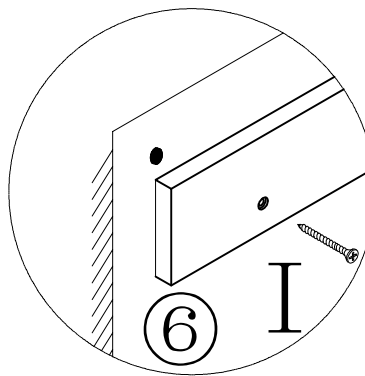
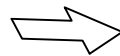
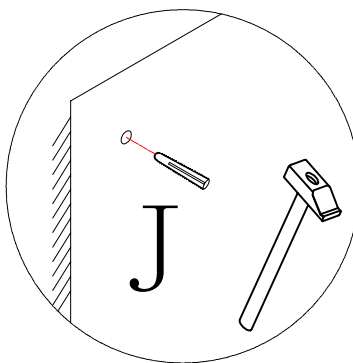
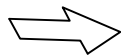
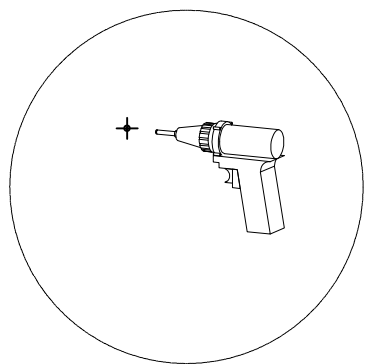
E*6

6

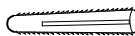


	F*2
	G*4
	H*4

7

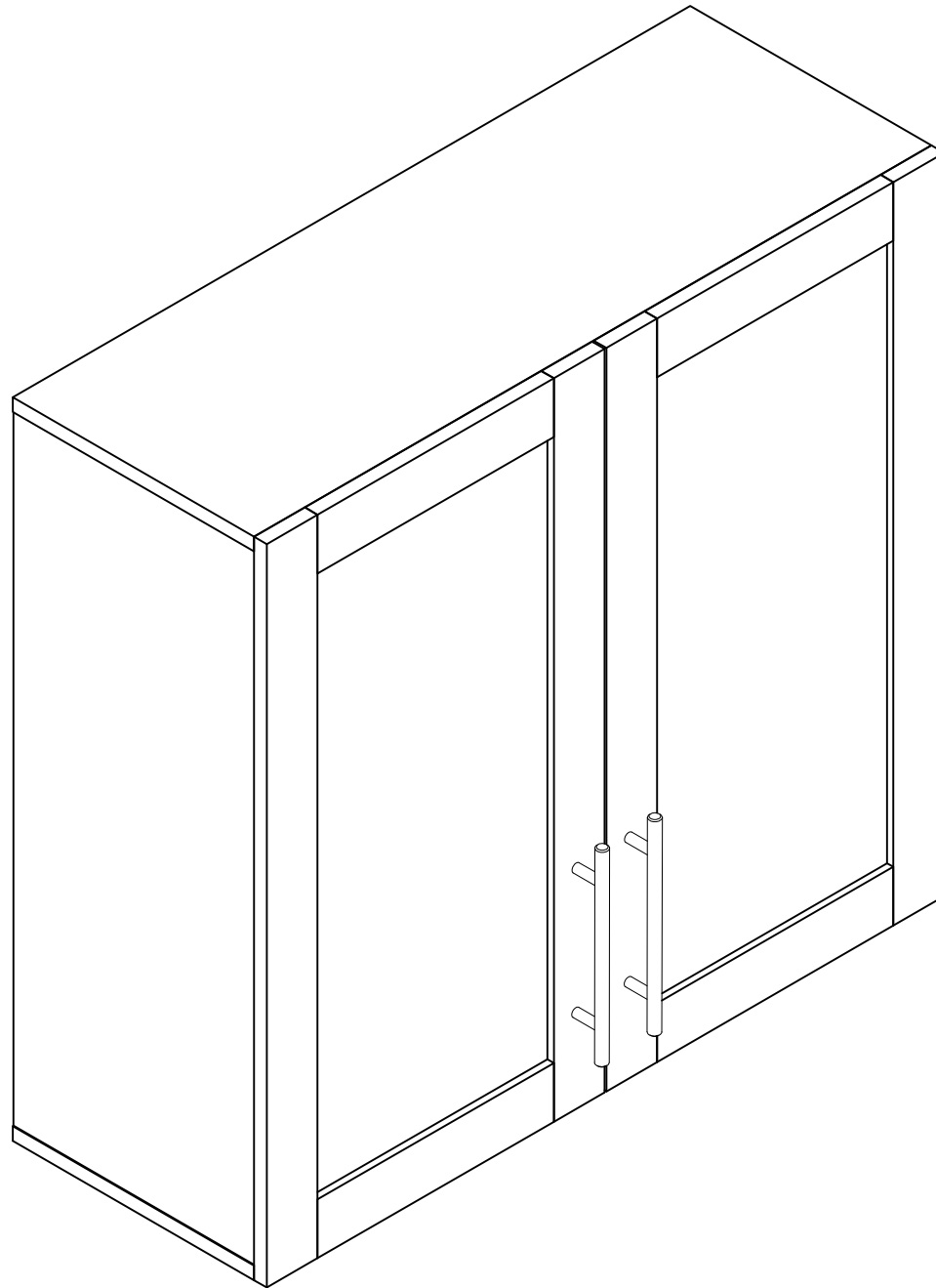


I*10



J*10

8



END