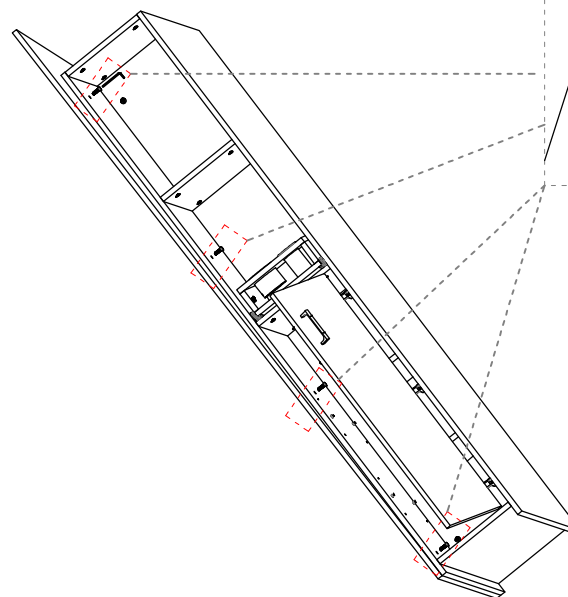
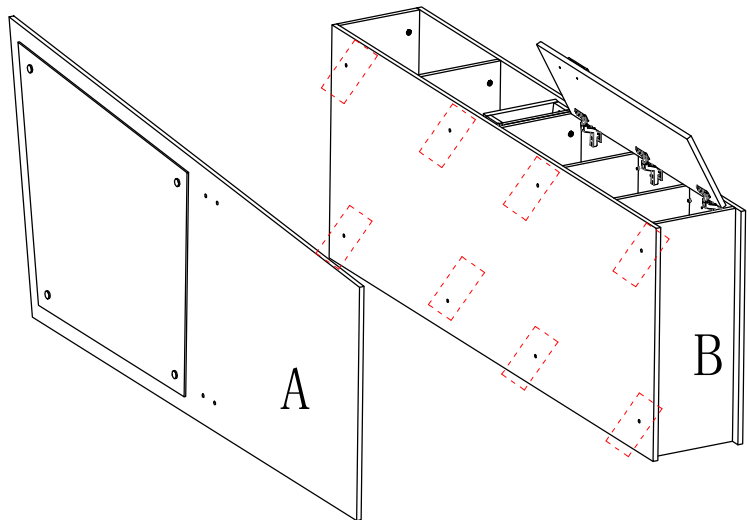


A → ← B

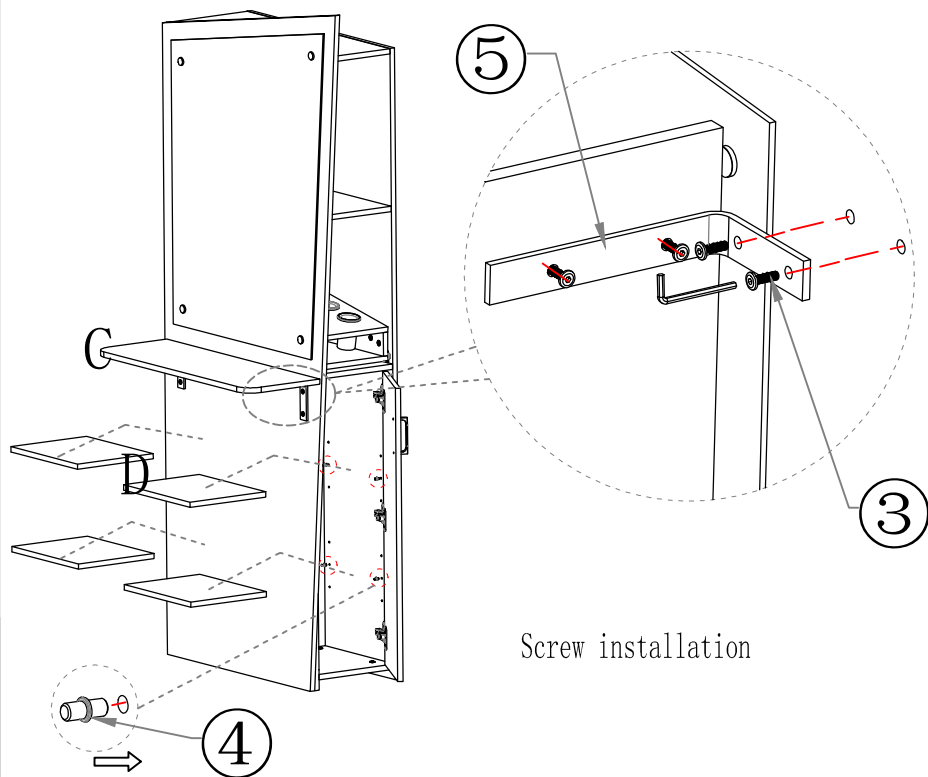


①

②

Screw installation(front and back)

M011

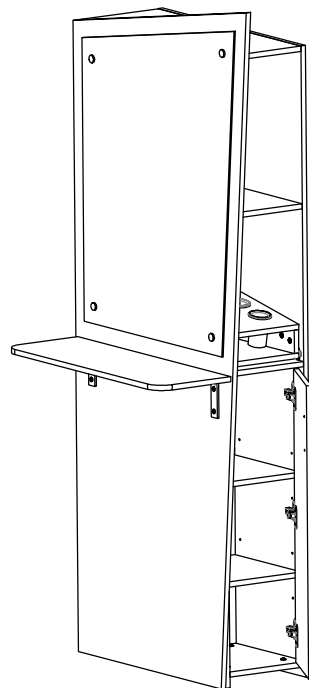


⑤




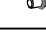
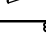
③

Screw installation

④



M011 ACCESSORY:

①		SCREW M6*25	8PCS
②		hexagonal wrench (M4)	1PCS
③		SCREW M6*15	4PCS
④		Platelet Granule	16PCS
⑤		working station iron holder	2PCS