



# BED WITH MATCHING FOOTBOARD

## ASSEMBLY INSTRUCTIONS

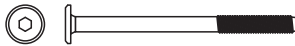

Before assembling your bed, please read through these instructions carefully and familiarize yourself with the different parts.

### PARTS LIST

- 1 HEADBOARD PANEL 1 PC
- 2 LEFT LEG 1 PC
- 3 RIGHT LEG 1 PC
- 4 WOOD DOWELS (Factory Installed) 4 PCS
- 5 FOOTBOARD 1 PC

Instructions apply for bed sizes  
TWIN > TWIN XL > FULL

### HARDWARE

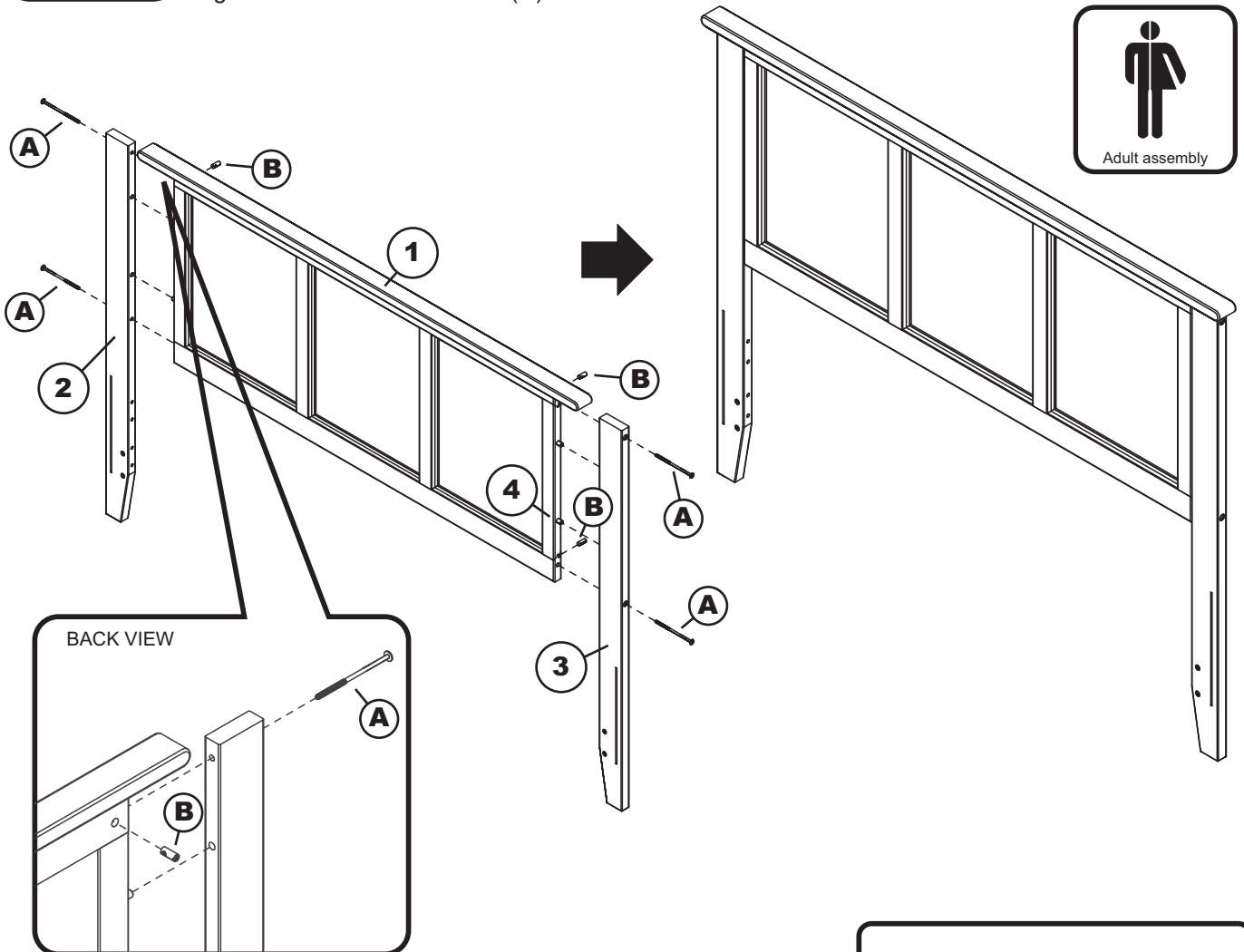
-  (A) JCB M6 X 110mm (4 3/8") - 4 pcs  
Spare - 1 pc
-  (B) Barrel nut - 4 pcs  
Spare - 1 pc

-  (C) Allen wrench - 1pc  
Spare - 1pc

NOTE: WE INCLUDE SPARE HARDWARE IN CASE DAMAGE OCCURS DURING ASSEMBLY.

### Step 1

Attach the legs (2) and (3) to headboard panel (1), using JCB (A) and barrel nut (B). Tighten with the Allen wrench (C).



## Congratulations!

PO : 

Your Madison headboard is now assembled.

To ensure lasting safety, we recommend that you periodically check that all screws are tight and all parts are secure.



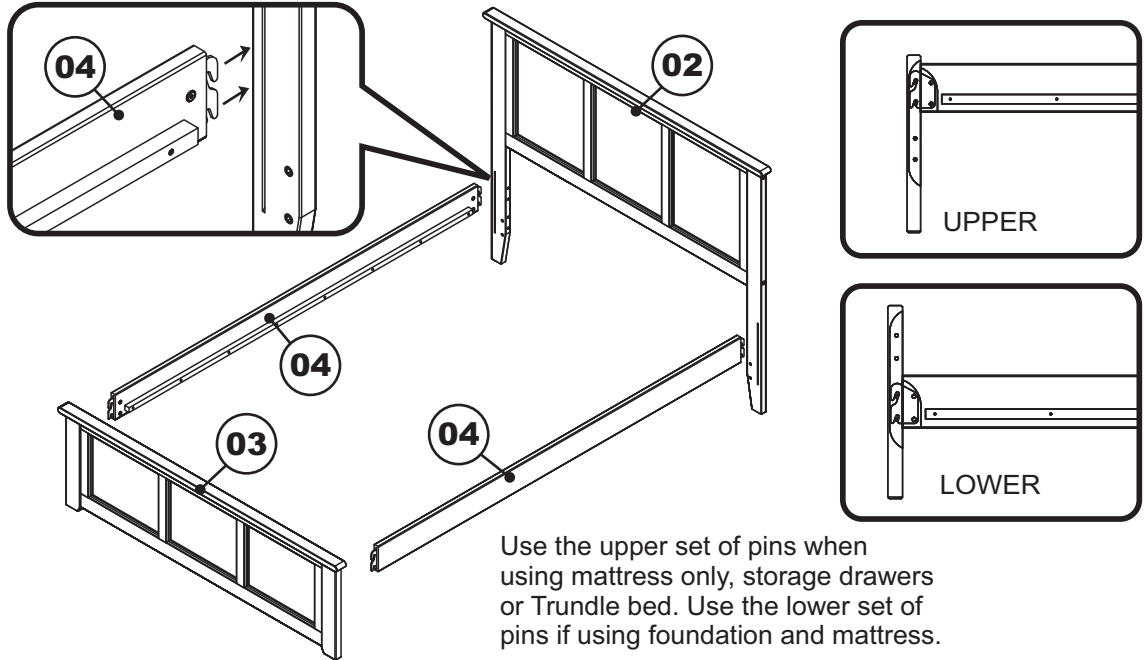
## BED WITH MATCHING FOOTBOARD

- 01 HARDWARE
  - 02 HEADBOARD
  - 03 FOOTBOARD
  - 04 SIDE RAILS
- BOX 1 (connected to 02 and 03)  
BOX 2 (connected to 04)



### Step 1

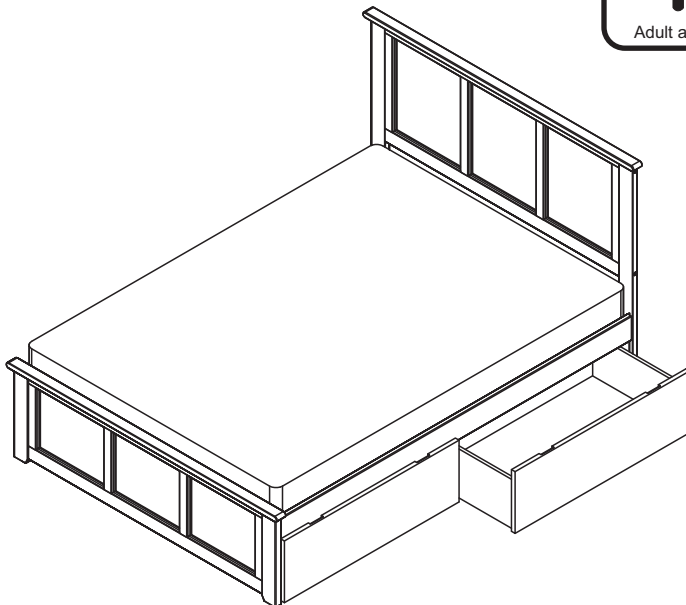
Attach the side rails (04) to the headboard (02) and footboard (03) using the bed hook as shown below.



### Step 2

Lastly, lay slat kit or foundation support board onto the bed. For assembly, follow the assembly instructions included with support system.

PLATFORM BED - TALL HEIGHT



TRADITIONAL BED - LOW HEIGHT

