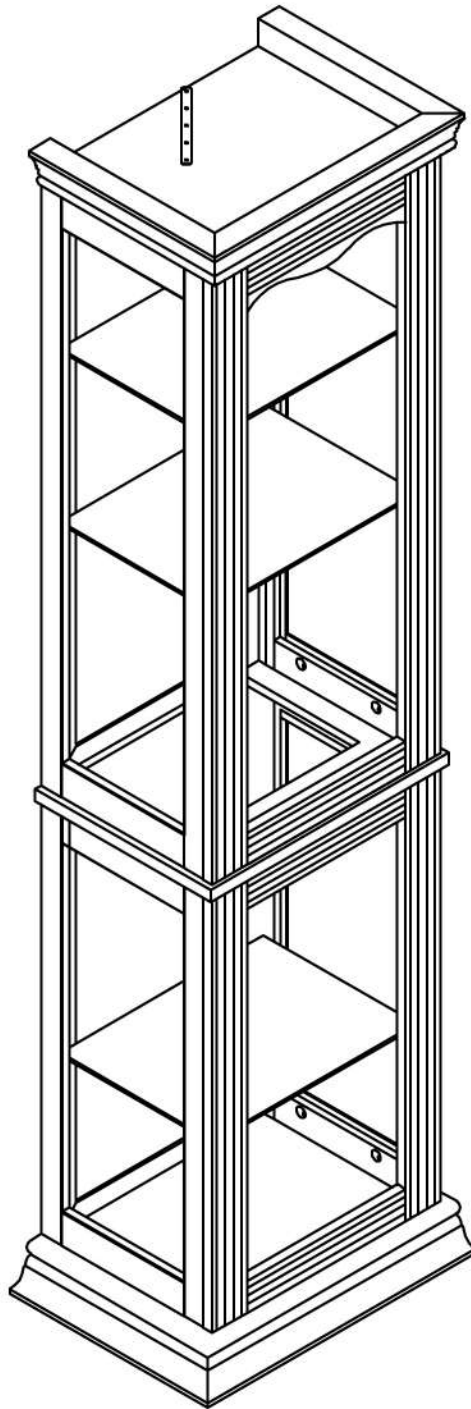


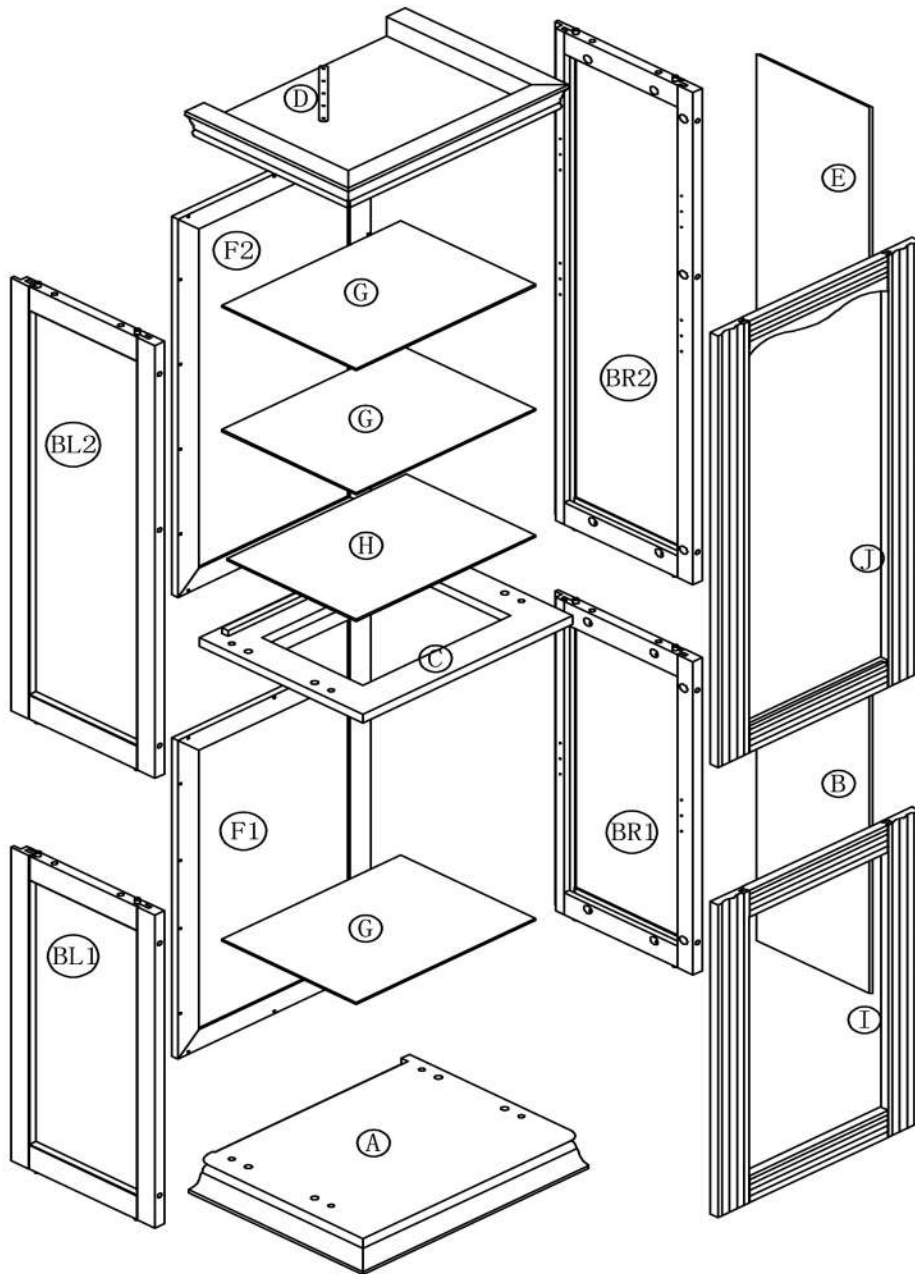
ASSEMBLY GUIDE



Note: This instruction booklet contains important safety information, please read and keep for future reference.

PARTS IDENTIFICATION

- Ensure that all parts and components are located before beginning assembly. Parts are labeled to help distinguish similar parts from each other. Use this PARTS IDENTIFICATION to help identify similar parts.
- Assemble on a soft surface to prevent damage to the product finish.
- Two people are needed for assembly.
- Estimated assembly time is approximately 1.5 hours.



(A)BASE-1PC

(BR1)RIGHT PANEL-1PC

(C)SHELF BOARD-1PC

(F1)BACK PANEL-1PC

(H)SHELF -1PC

(B)DOOR

(BL2)TOP LEFT PANEL-1PC

(D)COVER BOARD-1PC

(F2)TOP BACK PANEL-1PC

(I) FRONT PANEL-1PC

(BL1)LEFT PANEL-1PC

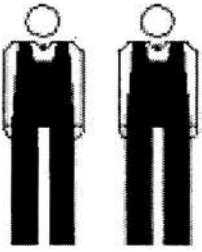
(BR2)TOP RIGHT PANEL-1PC

(E)TOP DOOR-1PC

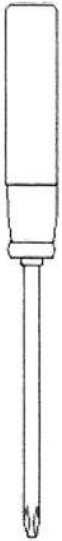
(G)SHELF-3PCS

(J)TOP FRONT PANEL-1PC

HARDWARE IDENTIFICATION



TOOL REQUIRED

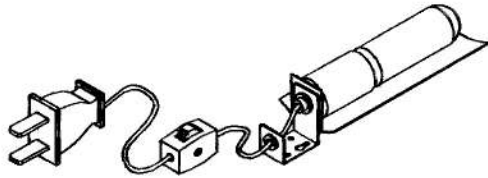


PHILLIPS HEAD
SCREWDRIVER



SHORT FLAT
SCREWDRIVER

(R1)LIGHT-1PC



(R2)FLAT HEAD SCREW
ST2.9X12-2PCS



(R3)SHELF SUPPORT-12PCS



(R4)CAM BOLT-16PCS



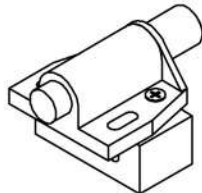
(R5)CAM BOLT-10PCS



(R6)CAM LOCK-26PCS



(R7)MAGNETIC LATCH-2PCS



(R8)FLAT HEAD SCREW
ST3.5X30-4PCS



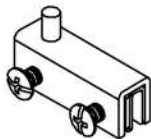
(R9)FLAT HEAD SCREW
ST3.5X25-28PCS



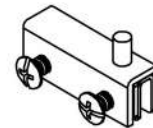
(R10) ADJUSTABLE FOOT-4PCS



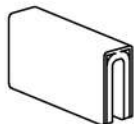
(R11)GLASS HINGE-2PCS



(R12)GLASS HINGE-2PCS



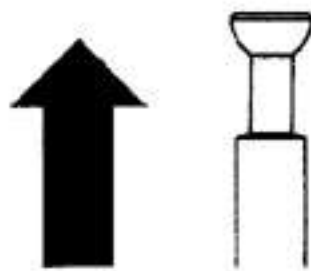
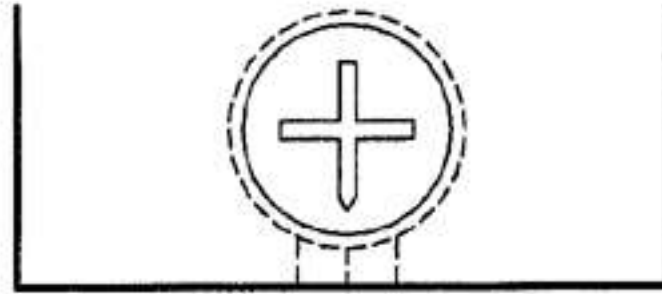
(R13)LATCH PLATE-2PCS



(R14)PLASTIC SCREW
ANCHOR-1PC



CAM LOCK SYSTEM



(1)

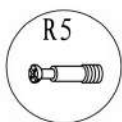
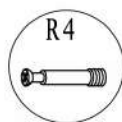
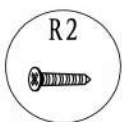
CORRECT



(2)

WRONG

Ensure starting position is correct, adjust cam bolt by pushing or pulling during assembly. Turn clockwise until secure.



(R1)LIGHT-1PC



(R2)FLAT HEAD SCREW
(ST2.9X12)-2PCS



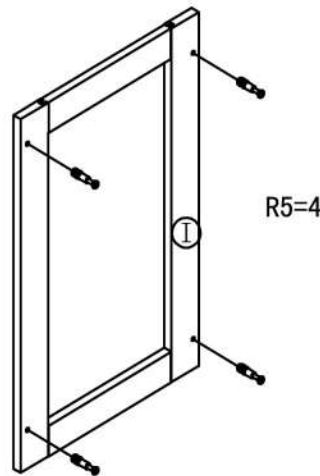
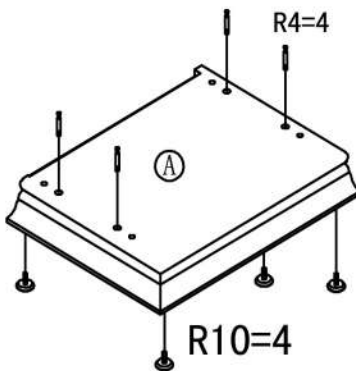
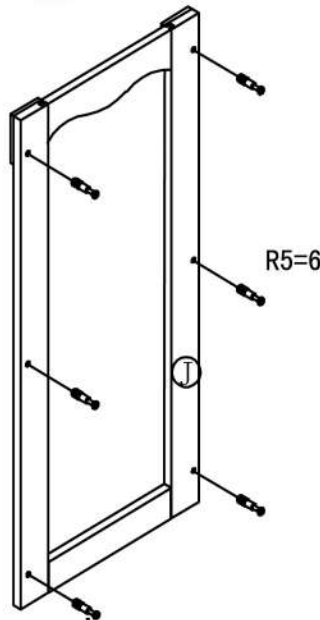
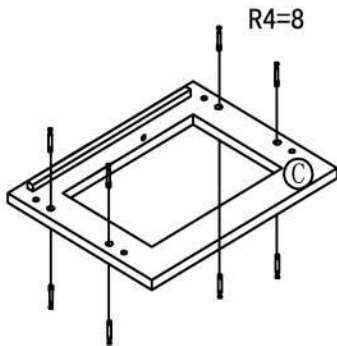
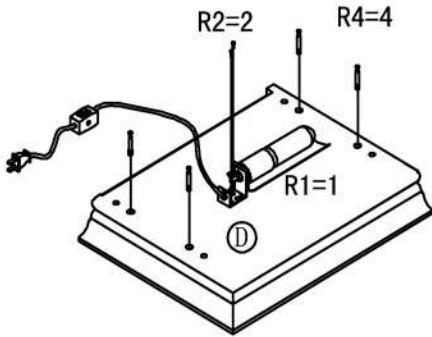
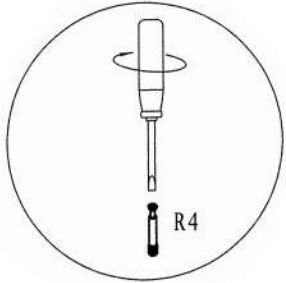
(R4)CAM BOLT-16PCS



(R5)CAM BOLT-10PCS



(R10)ADJUSTABLE FOOT-4PCS

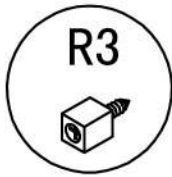


I. a) Fasten light R1 to cover board D using 2 flat head screw R2 (ST2.9X12).

b) Fasten 16 cam bolt R4 to cover board D, base A and shelf board C.

c) Fasten 4 adjustable foot R10 to base A.

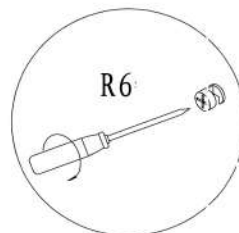
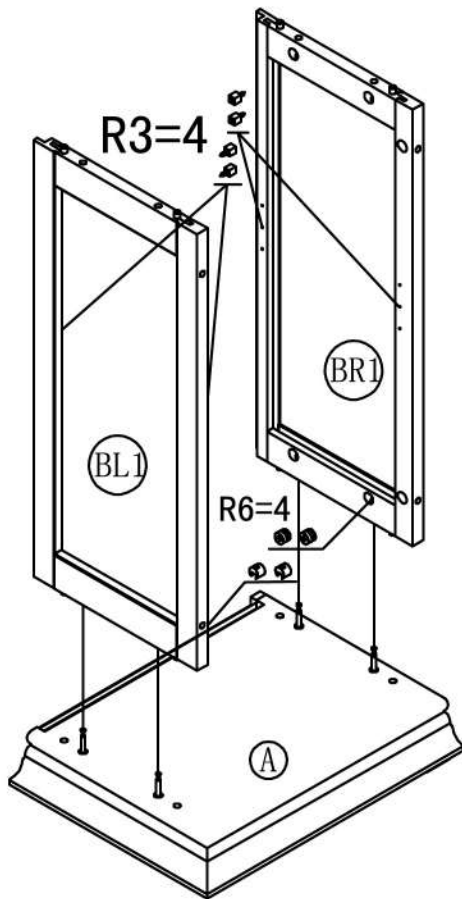
d) Fasten 10 cam bolt R5 to front panel I and top front panel J.



(R3)SHELF SUPPORT
STUD-4PCS

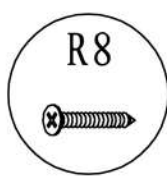
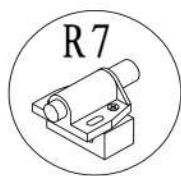



(R6)CAM LOCK-4PCS




2. a)Fasten 4 shelf support R3 to
left panel BL1 and right panel
BR1.

b)Fasten left panel BL1, right
panel BR1 to base A using 4
cam lock R6.



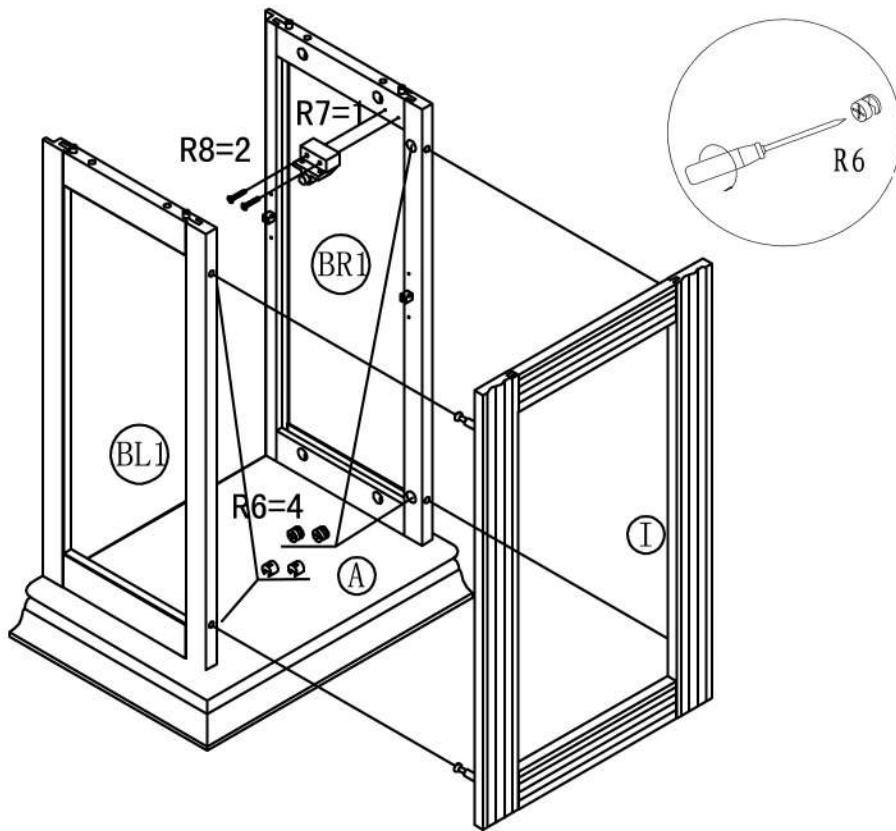
(R6) CAM LOCK-4PCS 

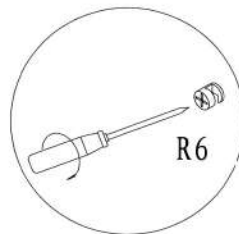
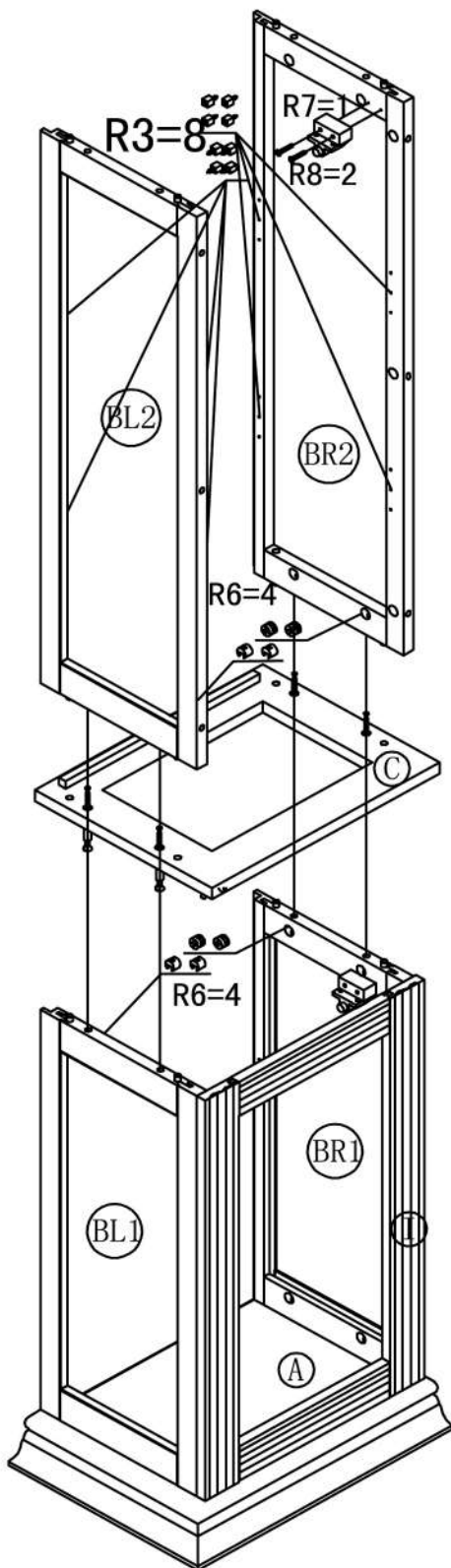
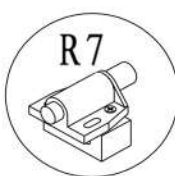
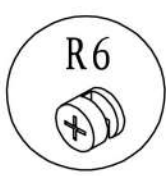
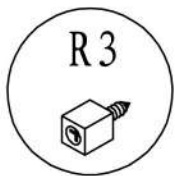
(R7)MAGNETIC LATCH-1PC 

(R8)FLAT HEAD SCREW
ST3.5X30-2PCS 

3. a)Fasten magnetic latch R7 to
right panel BR1 using 2 flat
head screw R8(ST3.5X30).

b)Fasten front panet I to left
panel and right panel
BL1&BR1 using 4 cam lock
R6.





(R3)SHELF SUPPORT
STUD-8PCS



(R6)CAM LOCK-8PCS



(R7)MAGNETIC LATCH-1PC



(R8)FLAT HEAD SCREW
ST3.5X30-2PCS



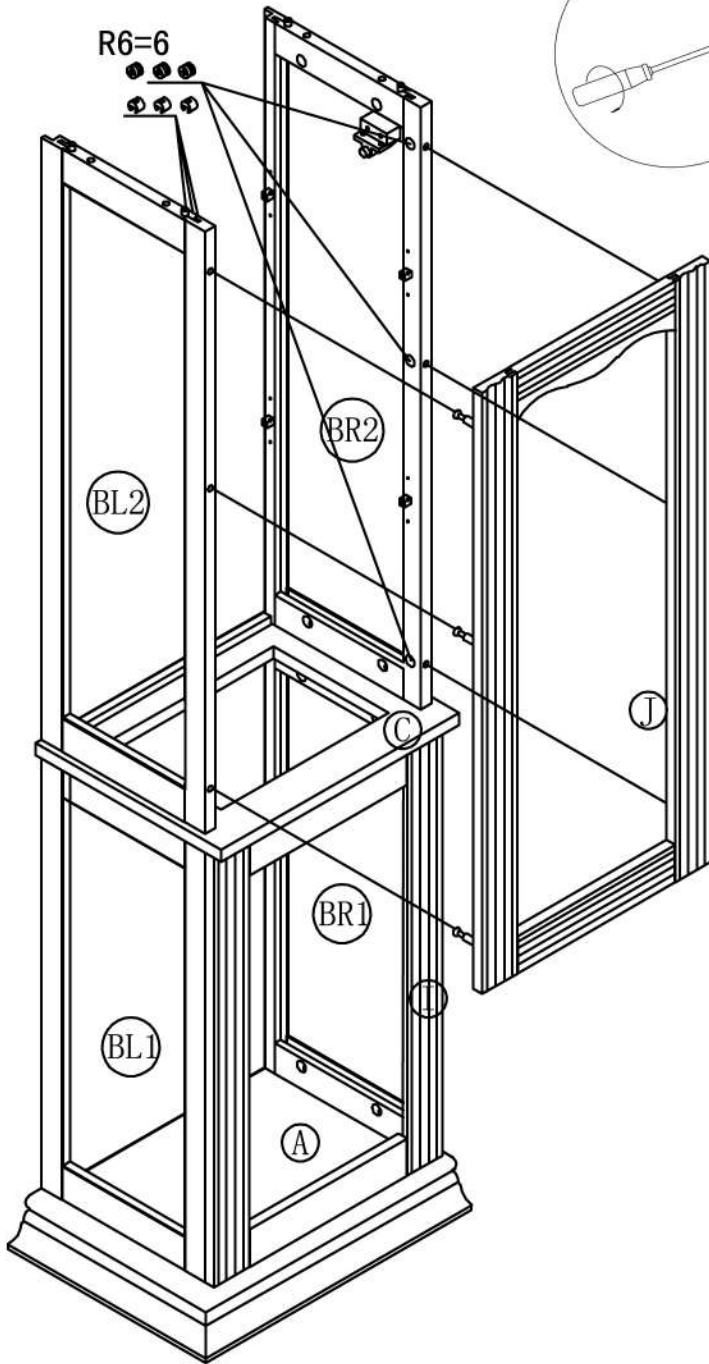
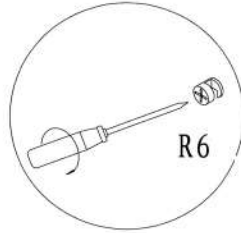
4. a)Fasten shelf board C to left
panel and right panel
BL1&BR1 using 4 cam lock
R6 .

b)Fasten magnetic latch R7 to
top right panel BR2 using 2
flat head screw R8
(ST3.5X30).

c)Fasten 8 shelf support R3 to
top left panel and right panel
BL2&BR2.

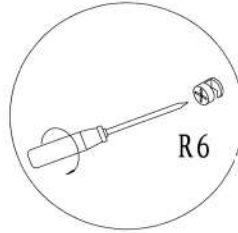
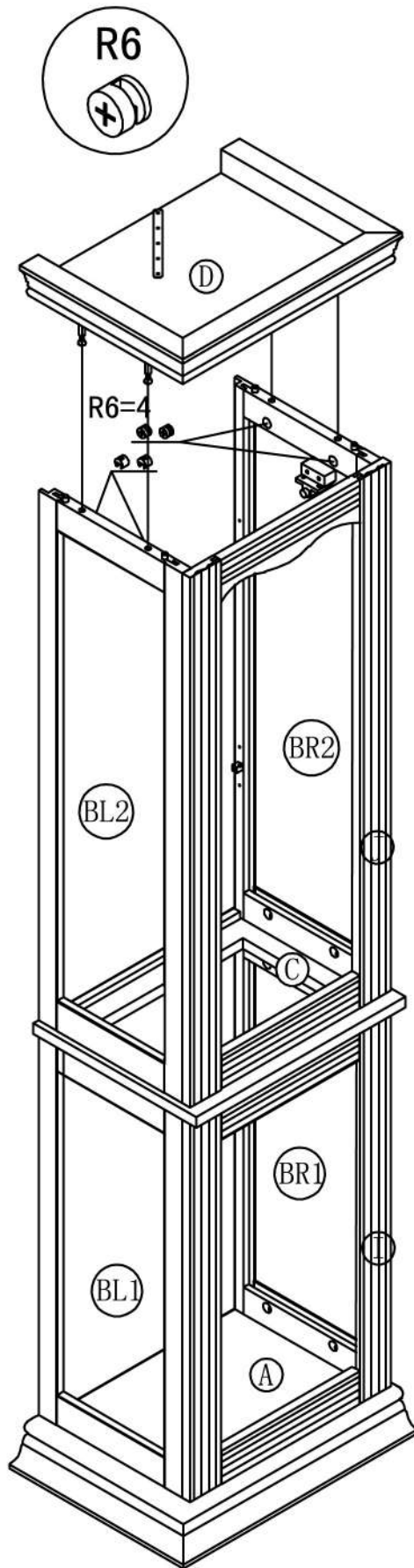
d)Fasten top left panel and
right panel BL2&BR2 to shelf
board C using 4 cam lock R6.

(R6) CAM LOCK-6PCS



5. a) Fasten top front panel J to top left panel and right panel BL2&BR2 using 6 cam lock R6.

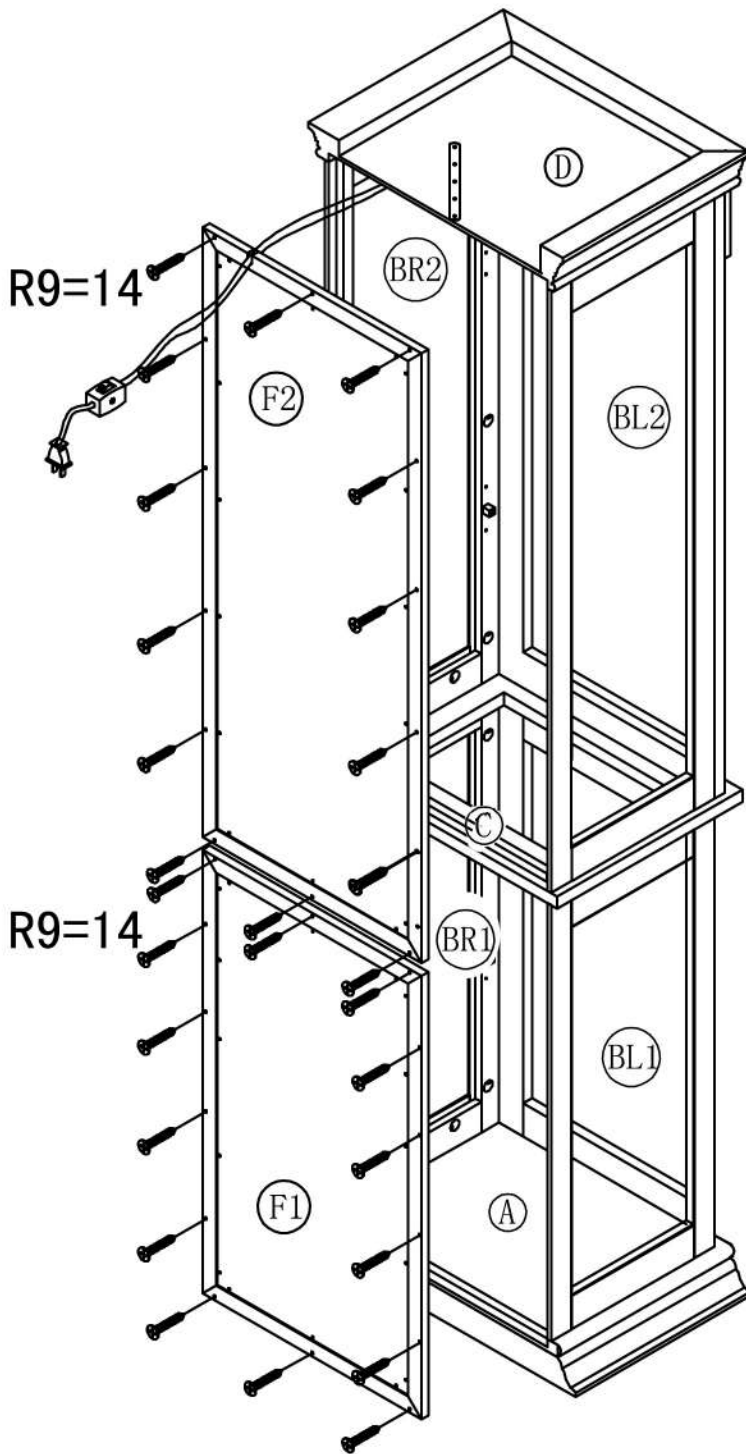
(R6) CAM LOCK-4PCS



6. a) Fasten cover board D to top left panel and right panel BL2&BR2 using 4 cam lock R6.



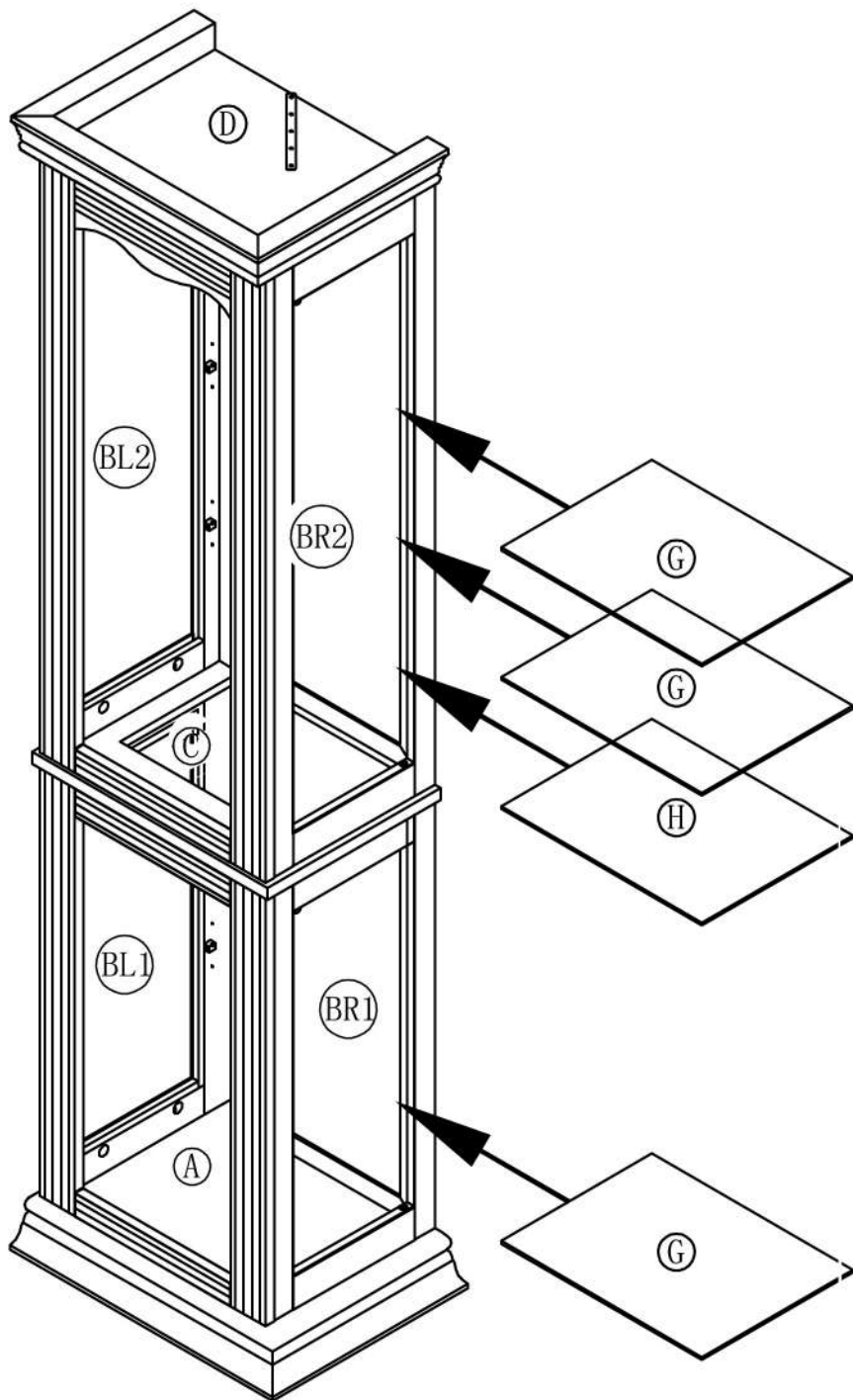
(R9)FLAT HEAD SCREW
(ST3.5X25)-28PCS



7. a)Fasten back panel F1 to left panel BL1,right panel BR1, base A,shelf board C,using 14 flat head screw R9(ST3.5X25).

b) Fasten top back panel F2 to top left panel BL2,top right panel BR2,shelf board C, cover board D,using 14 flat head screw R9(ST3.5X25).

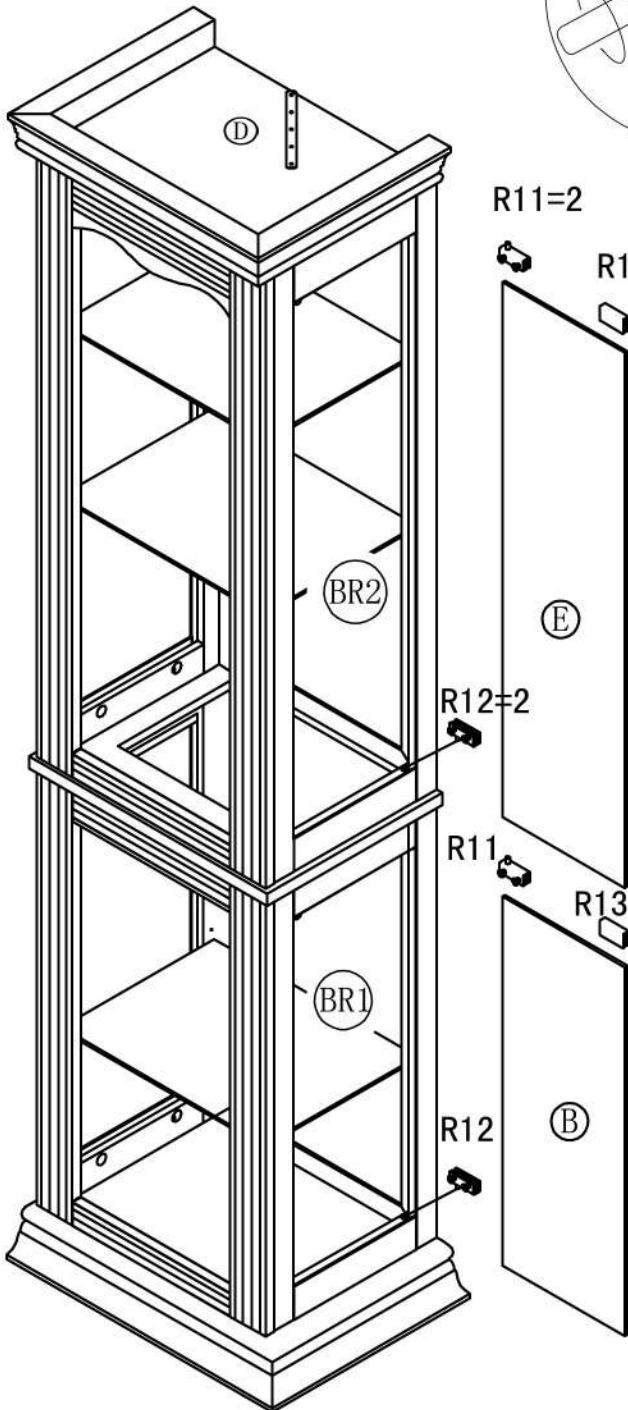
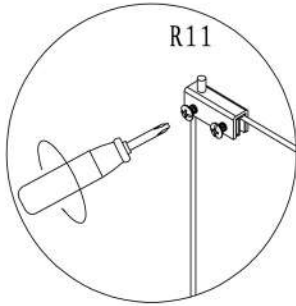
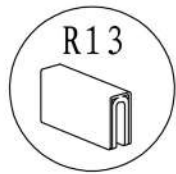
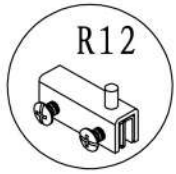
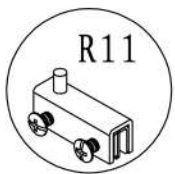
NOTE: the wire of light R1 should get through from the hole on top back panel F2.



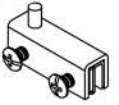
8 a)Put 3 shelf G on shelf support.

b)Put shelf H on shelf board C.

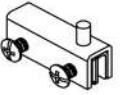
Note:Weight on glass shelves
should not exceed 4kgs.



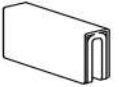
(R11)GLASS HINGE-2PCS



(R12)GLASS HINGE-2PCS



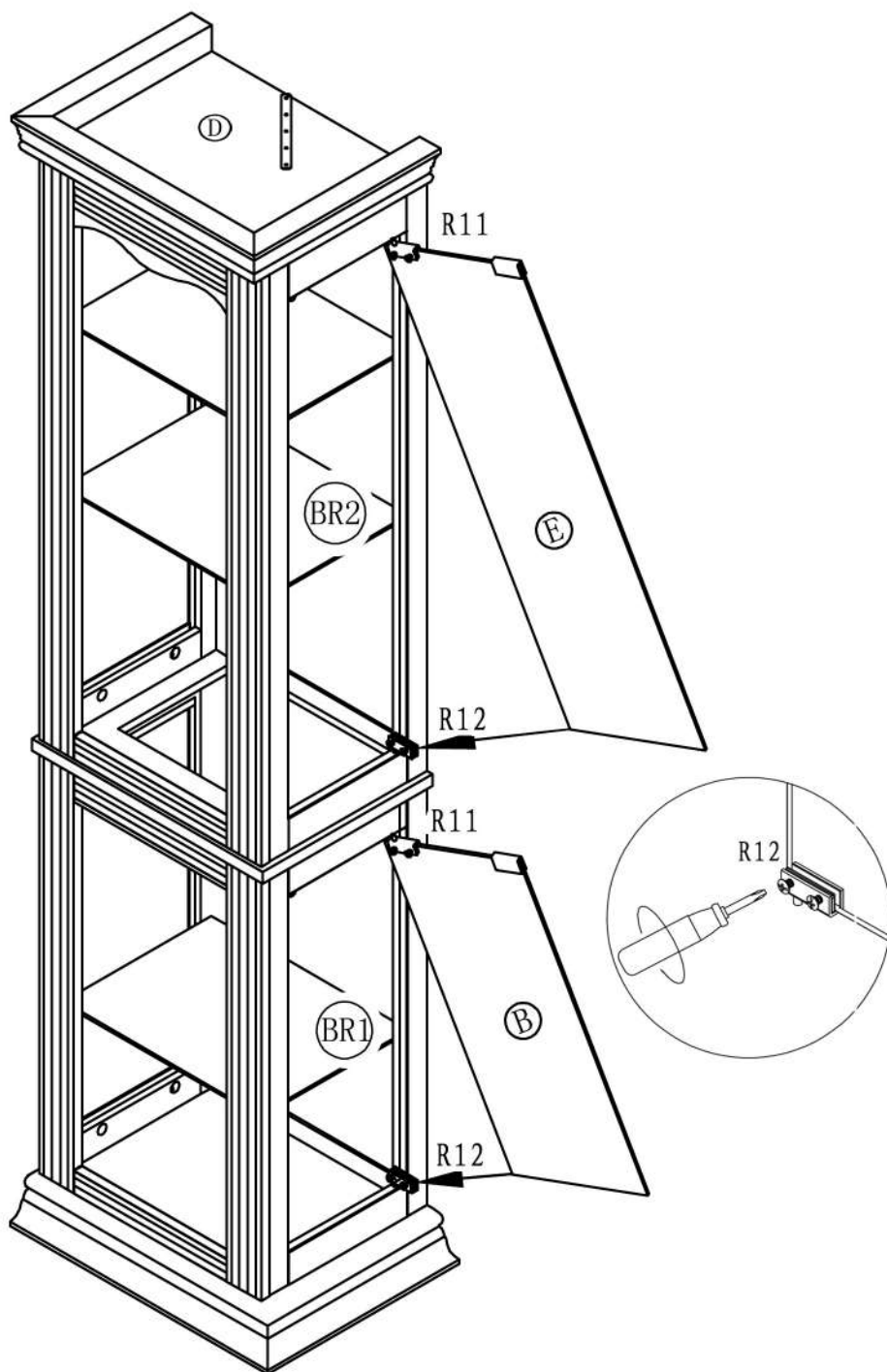
(R13)LATCH PLATE-2PCS



9. a) Fasten 1 latch plate R13 and 1 glass hinge R11 to two corners of top door E. The black washer should be attached under screws.

b) Repeat above process for another door B.

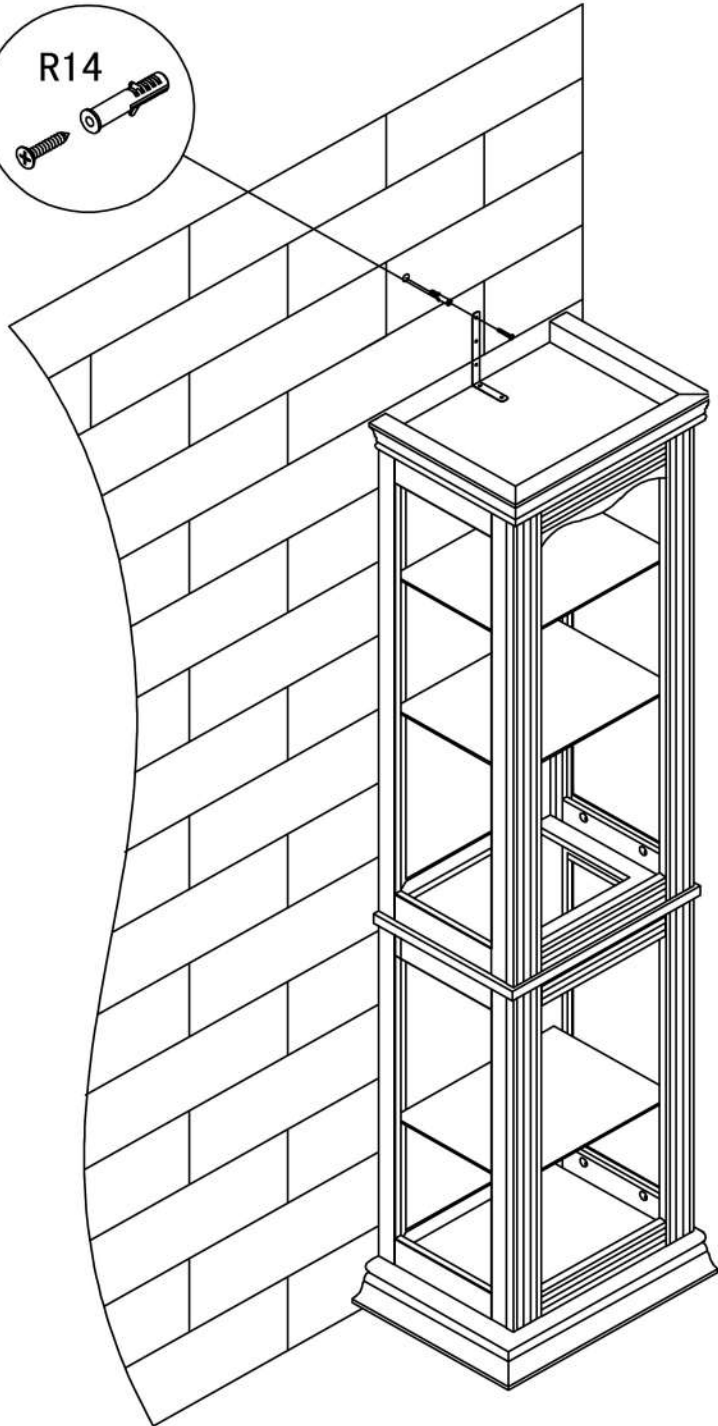
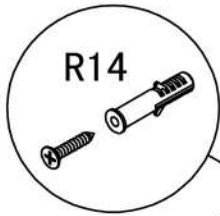
c) Insert 2 glass hinge R12 into the bottom hole on top right panel BR2 and right panel BR1. The black washer should be attached under screws.



10. a) Insert glass hinge R11 into the top hole on top of top right panel BR2.

b) Slide glass door E into place through R12 as showed on drawing then fasten the screws.

c) Repeat above process for another door B.



(R14)PLASTIC SCREW
ANCHOR:1PC



11.As an added safety feature, a support strap on cover board D has been provided, it must be attached to the wall, using 1 plastic screw anchor R14.

Care and Maintenance of your Furniture

- 1.Ensure metal plated hinges are kept dry to avoid rusting.
- 2.Please periodically check all fittings and re-tighten as necessary.
- 3.Wipe occasionally with a soft cloth slightly dampened with water.Then buff with a dry clean soft cloth.
- 4.Never allow any kind of liquid to remain on your furniture. Absorption can cause wood to warp or finishes to de-laminate.