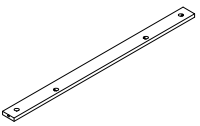
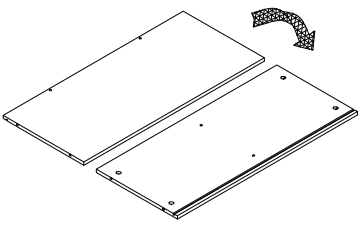
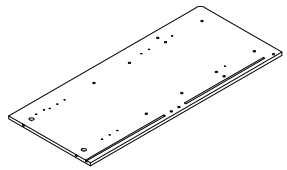
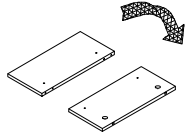
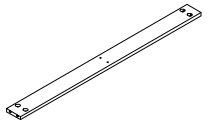
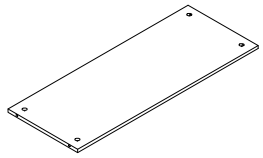
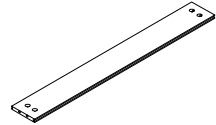
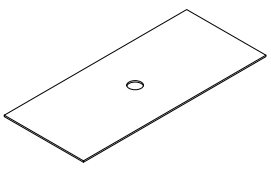
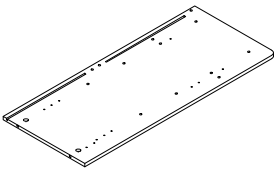
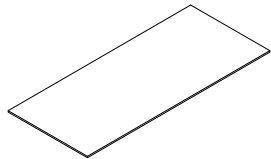
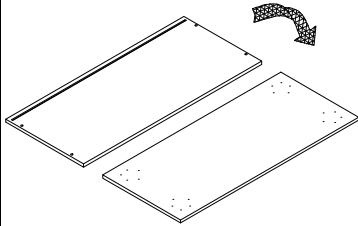

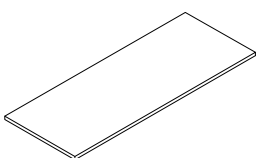
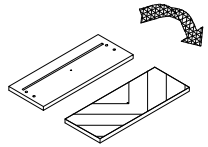
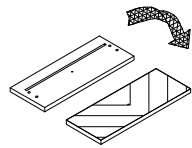
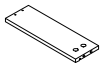
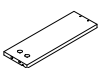
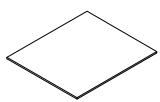

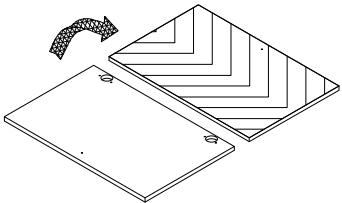
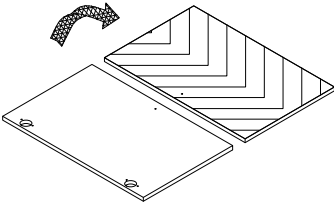




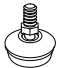


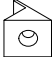


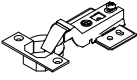
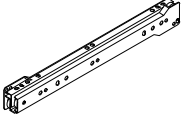
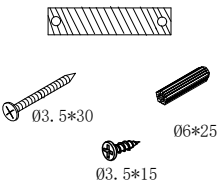
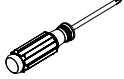


# ASSEMBLY INSTRUCTION

① 1PC 	② 1PC 	③ 1PC 	④ 1PC 
⑤ 2PCS 	⑥ 2PCS 	⑦ 1PC 	⑧ 1PC 
⑨ 1PC 	⑩ 1PC 	⑪ 1PC 	⑫ 4PCS  H110mm
⑬ 1PC 	⑭ 1PC 	⑮ 1PC 	⑯ 2PCS 
⑰ 2PCS 	⑱ 2PCS 	⑲ 2PCS 	⑳ 1PC 

# ASSEMBLY INSTRUCTION

<p>②1 1PC</p> 			
<p>A 42PCS</p>  <p>M6*40</p>	<p>B 42PCS</p>  <p>Ø15*9.5</p>	<p>C 68PCS</p>  <p>Ø3.5*12</p>	<p>D 4PCS</p>  <p>68*68*11</p>
<p>E 4PCS</p>  <p>M8</p>	<p>F 4PCS</p>  <p>M5*38</p>	<p>G 4PCS</p>  <p>Ø5*15</p>	<p>H 8PCS</p> 
<p>I 4sets</p>  <p>M4*18</p>	<p>J 8PCS</p>  <p>Ø3.5*40</p>	<p>K 4PCS</p> 	<p>L 2sets</p>  <p>12"</p>
<p>M 1set</p>  <p>Ø3.5*30 Ø6*25 Ø3.5*15</p>			

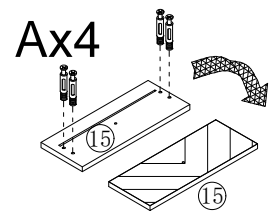
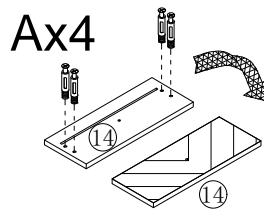
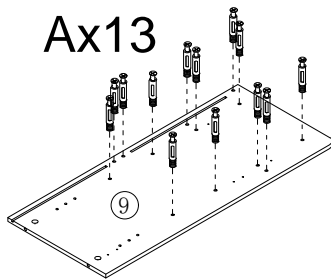
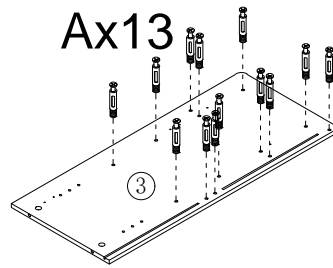
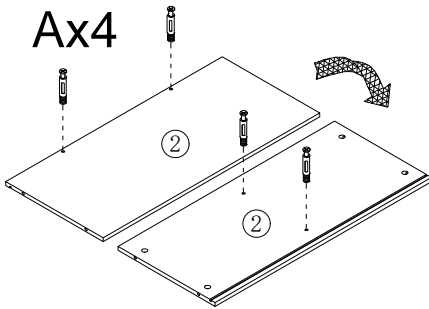
# ASSEMBLY INSTRUCTION

## Step 1

A 38PCS

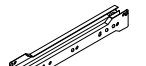


M6\*40

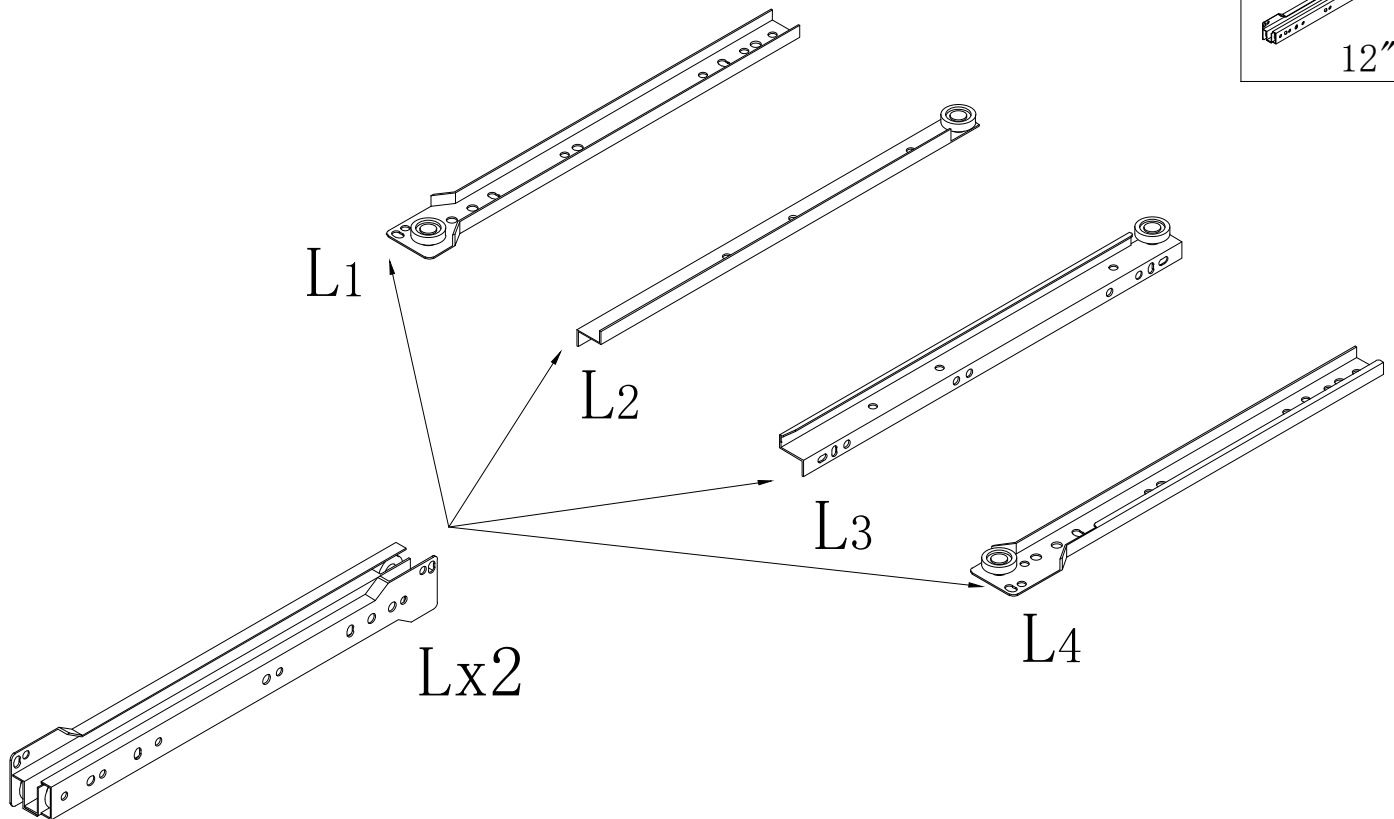


## Step 2

L 2sets



12"



# ASSEMBLY INSTRUCTION

## Step 3

**C** 8PCS  
Ø3.5\*12

**L1** 2PCS  
12"

**L4** 2PCS  
12"

**Front**

36 224

## Step 4

**B** 2PCS  
Ø15\*9.5

**Bx2**


## Step 5

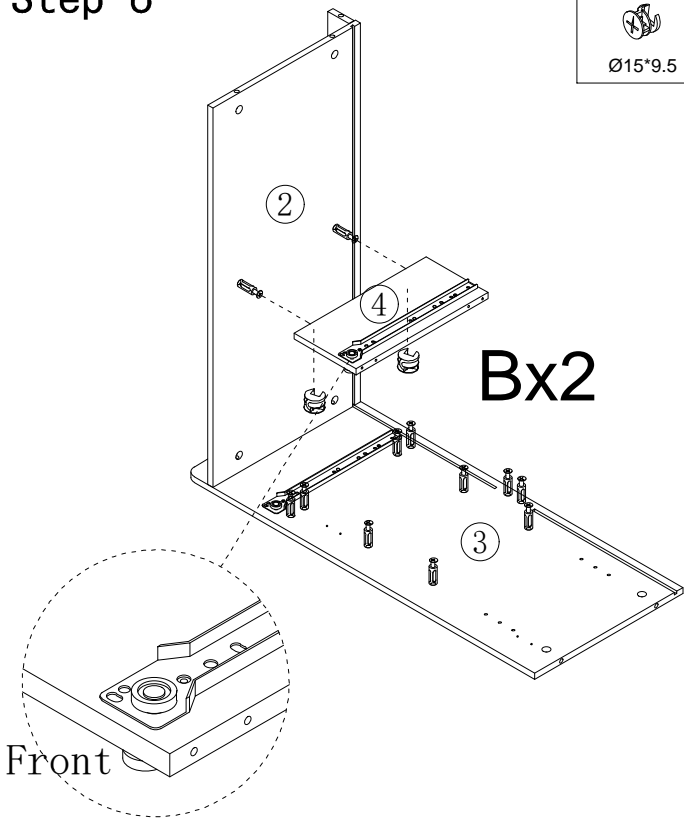
**B** 3PCS  
Ø15\*9.5

**Bx3**

# ASSEMBLY INSTRUCTION


## Step 6

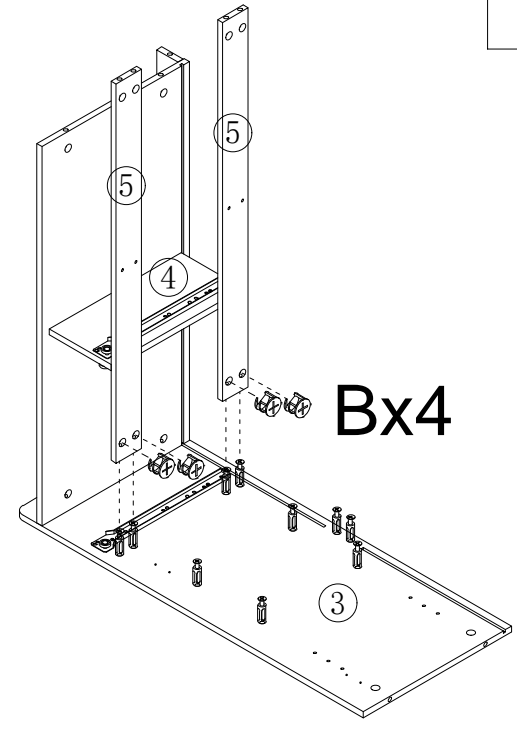
B 2PCS  
  
Ø15\*9.5



Bx2


## Step 7

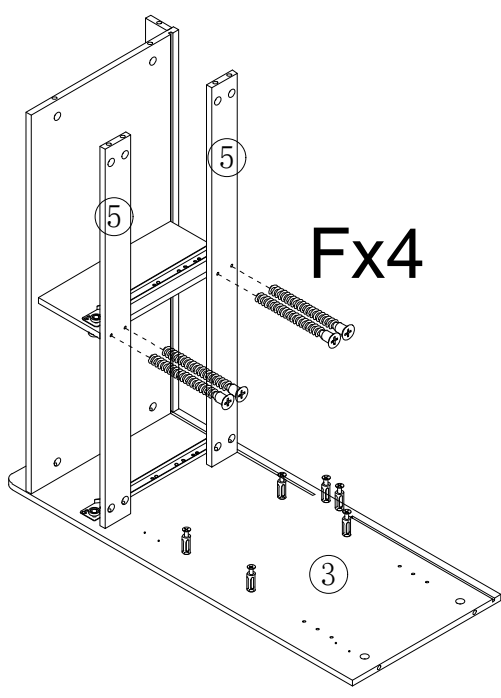
B 4PCS  
  
Ø15\*9.5



Bx4


## Step 8

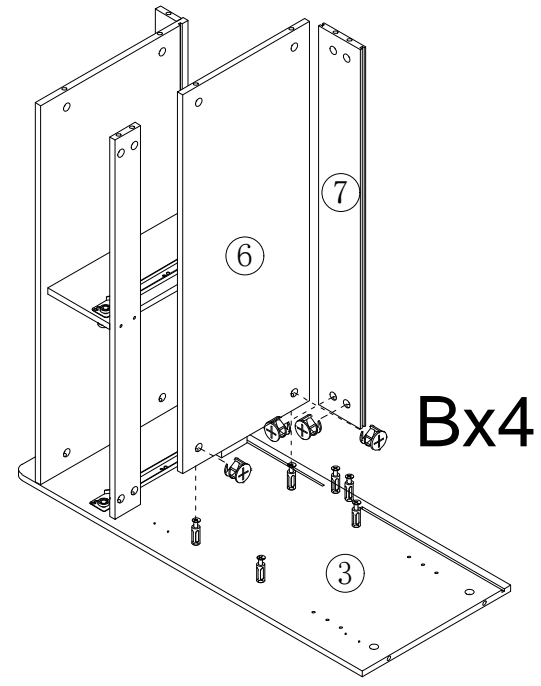
F 4PCS  
  
M5\*38



Fx4

## Step 9


B 4PCS  
  
Ø15\*9.5

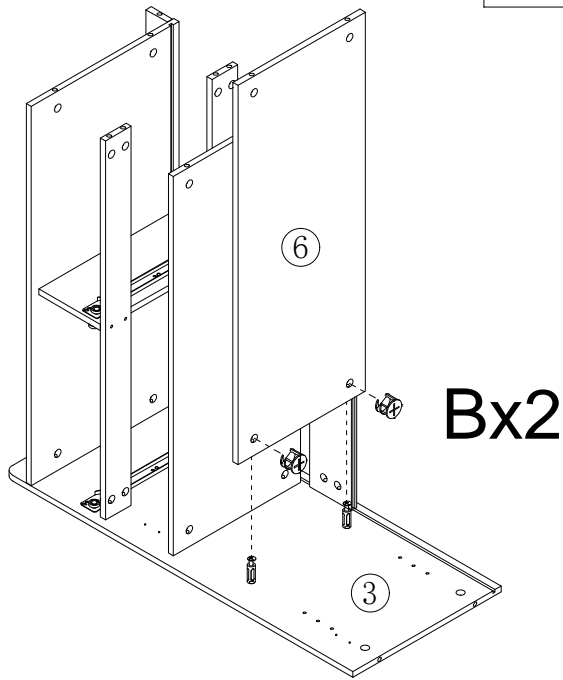


Bx4

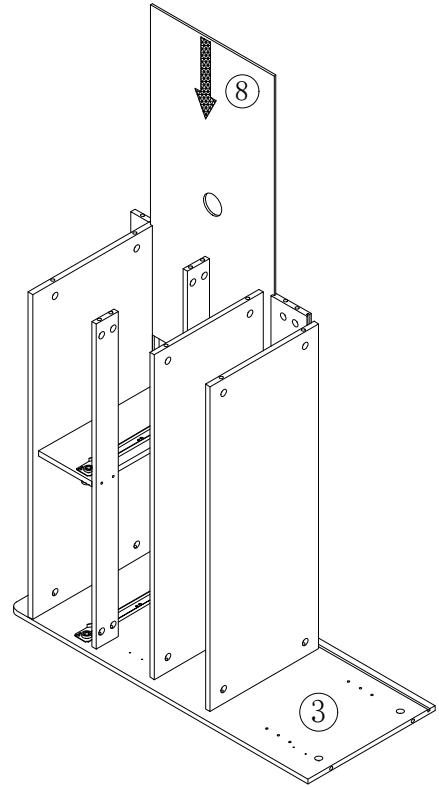
# ASSEMBLY INSTRUCTION

## Step 10


B 2PCS  
  
Ø15\*9.5

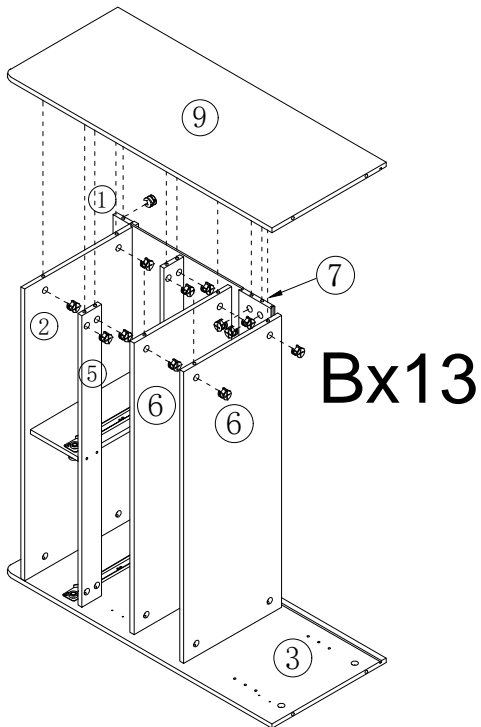


## Step 11

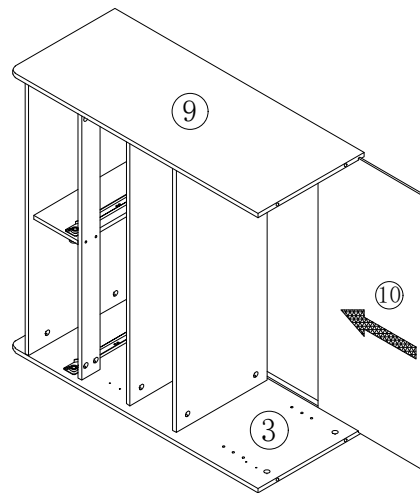


## Step 12

B 13PCS  
  
Ø15\*9.5

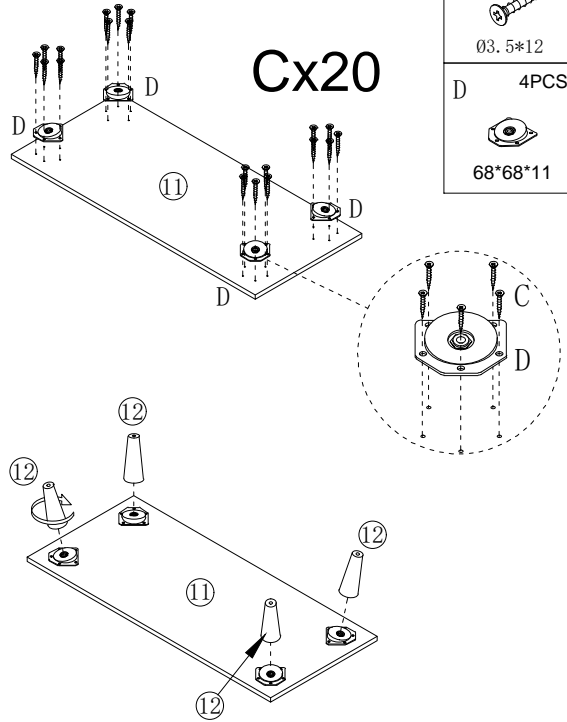


## Step 13



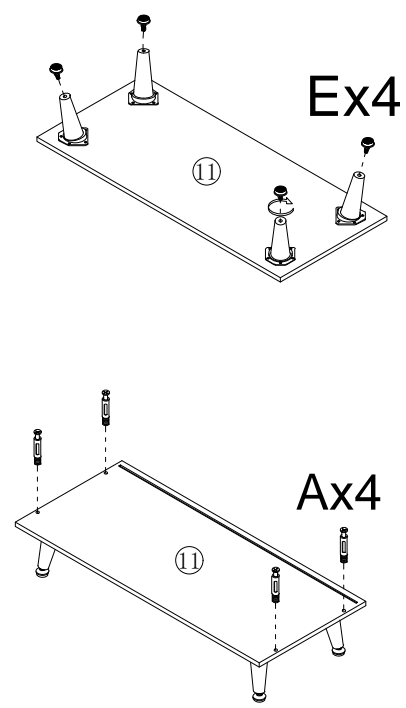
# ASSEMBLY INSTRUCTION

## Step 14



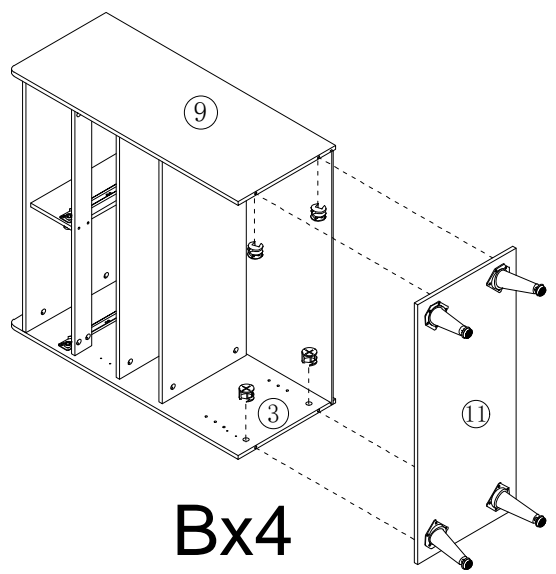
- C** 20PCS  
Ø3.5\*12
- D** 4PCS  
68\*68\*11

## Step 15



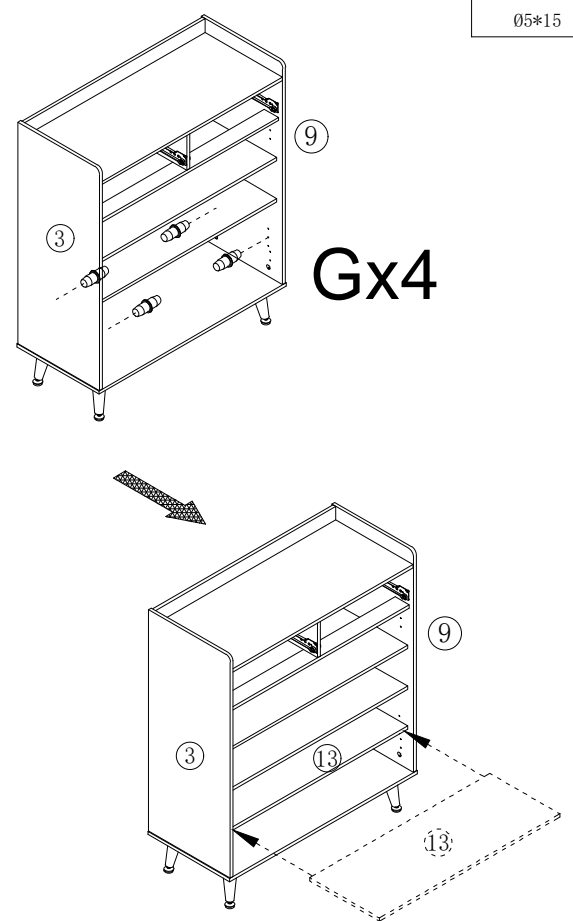
- A** 4PCS  
M6\*40
- E** 4PCS  
M8

## Step 16



- B** 4PCS  
Ø15\*9.5

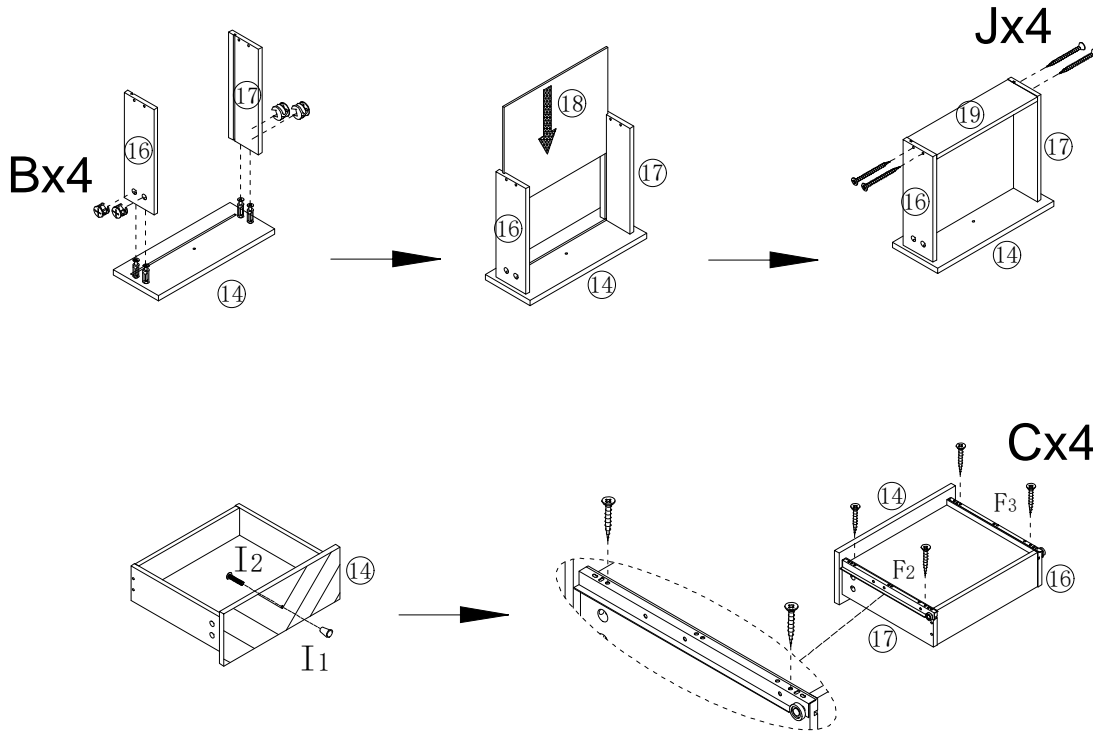
## Step 17



- G** 4PCS  
Ø5\*15

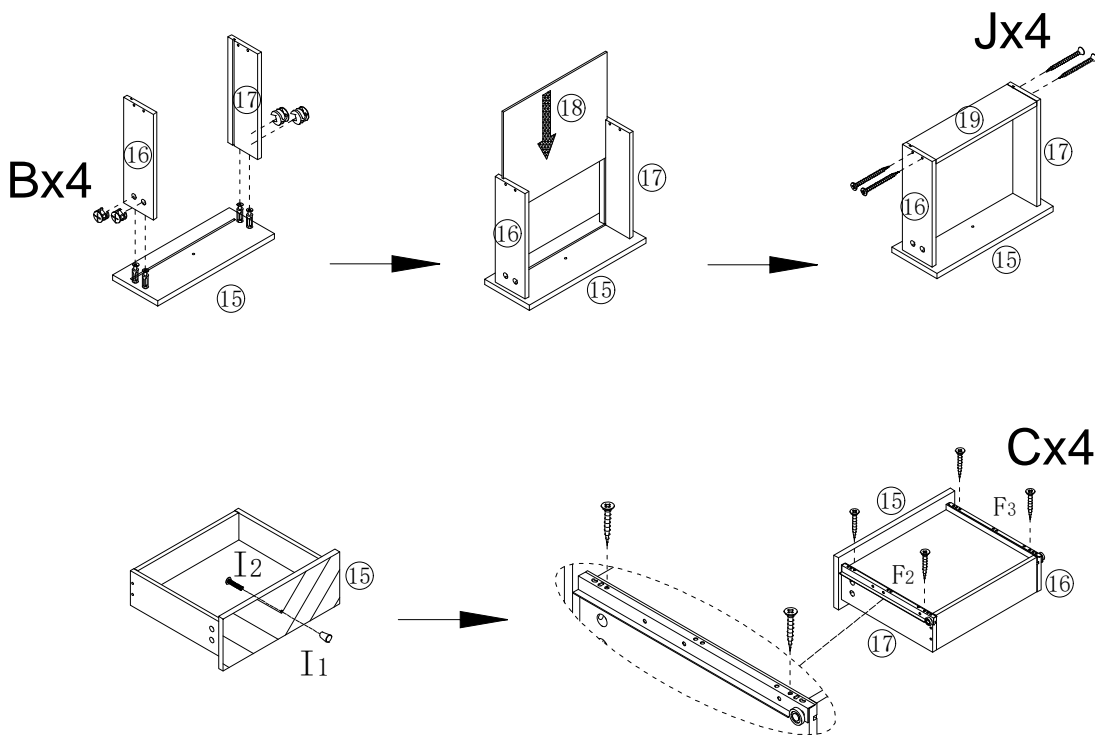
# ASSEMBLY INSTRUCTION

## Step 18



B	4PCS
	Ø15*9.5
C	4PCS
	Ø3.5*12
I	1set
	M4*18
L2	1PC
	12"
L3	1PC
	12"
J	4PCS
	Ø3.5*40

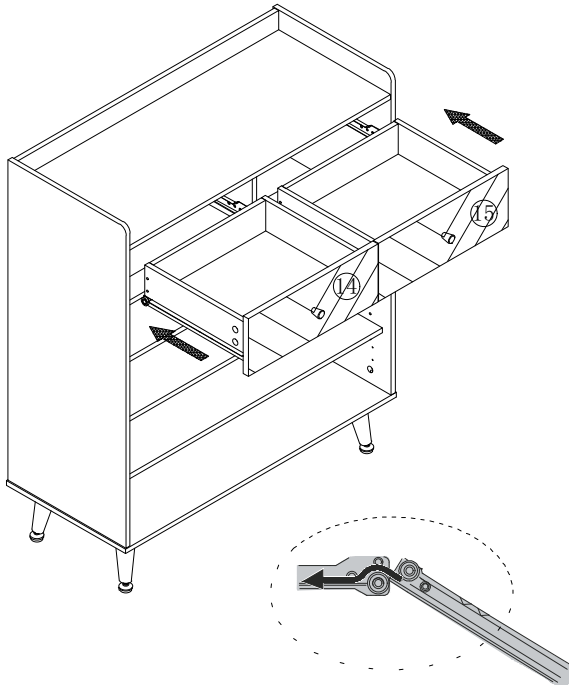
## Step 19



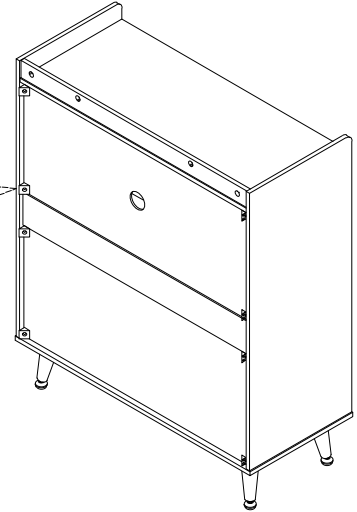
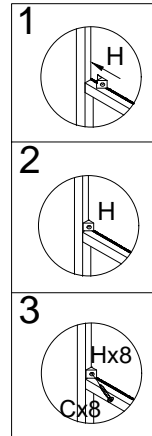
B	4PCS
	Ø15*9.5
C	4PCS
	Ø3.5*12
I	1set
	M4*18
L2	1PC
	12"
L3	1PC
	12"
J	4PCS
	Ø3.5*40



# ASSEMBLY INSTRUCTION

## Step 20

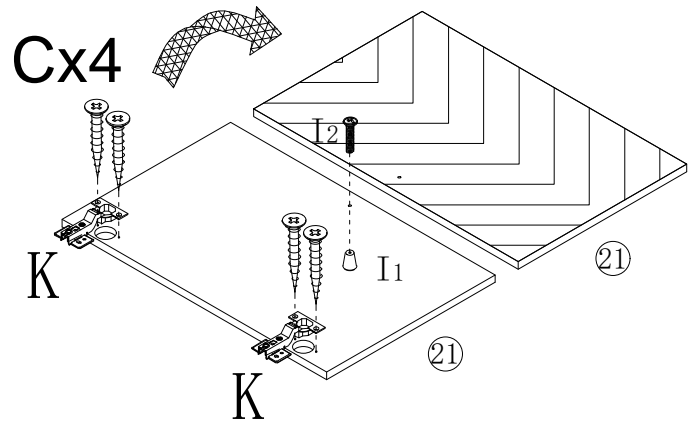
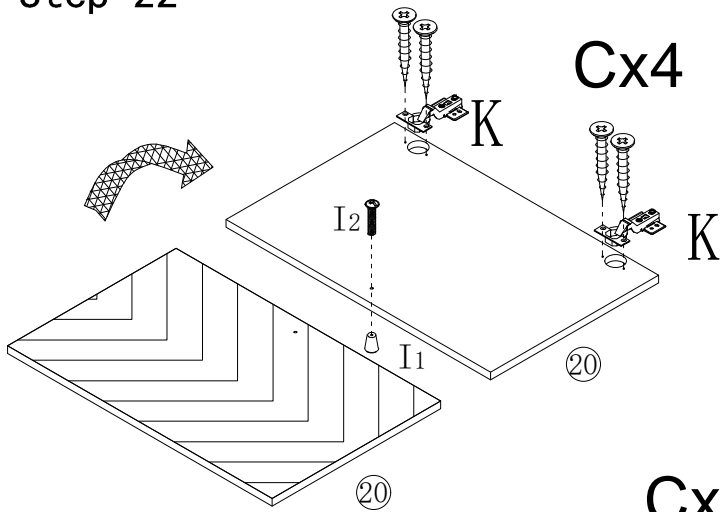




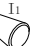

## Step 22




C	8PCS
	
	Ø3.5*12
H	8PCS
	

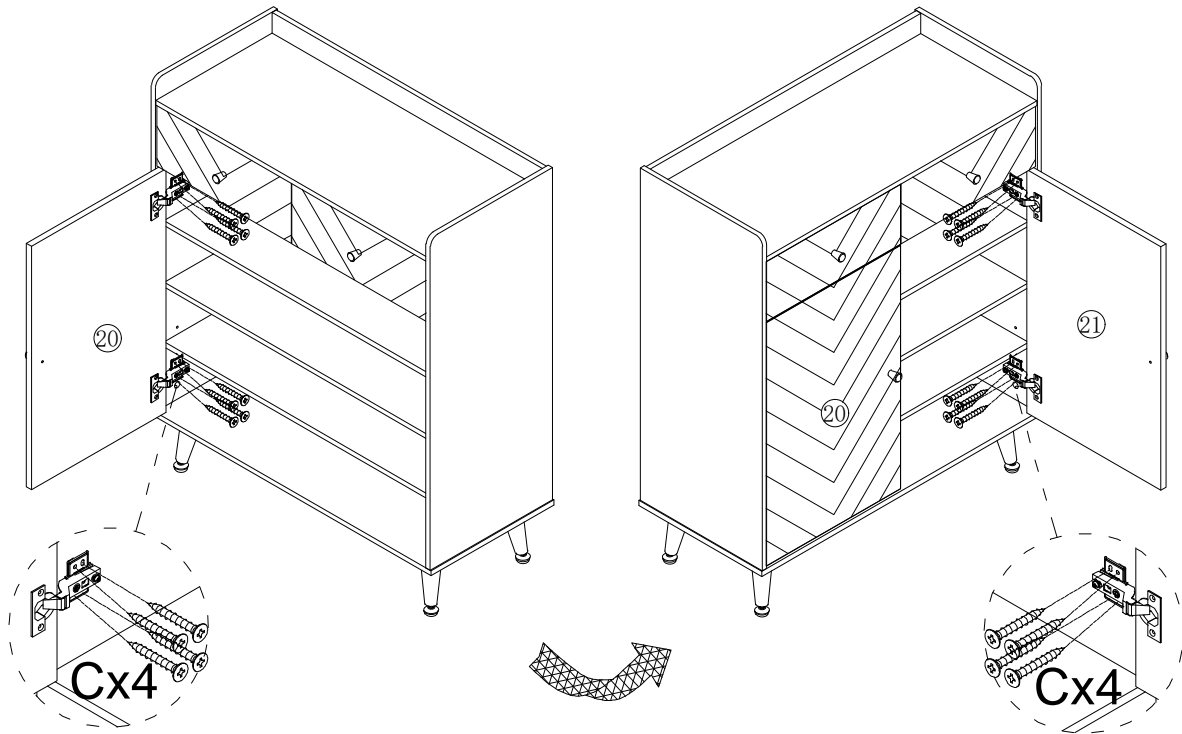
## Step 22



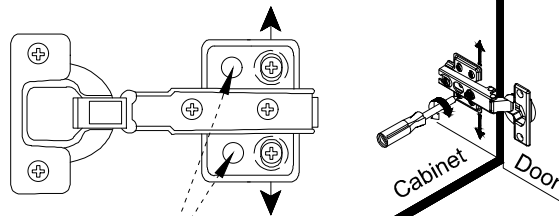
C	8PCS
	
	Ø3.5*12
K	4PCS
	
I	2sets
	
	M4*18

## Step 23

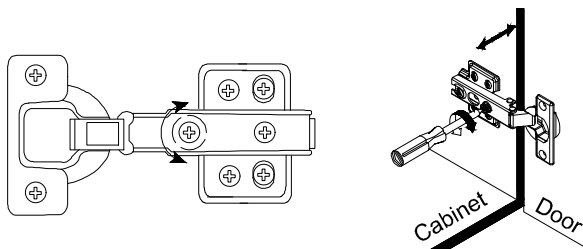
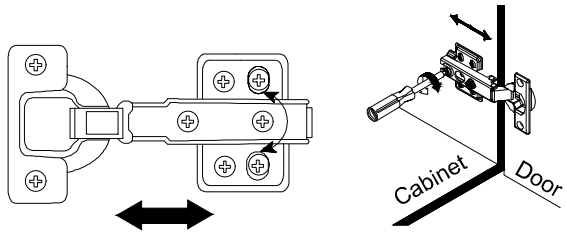
C 16PCS  
  
Ø3.5\*12



## Step 24

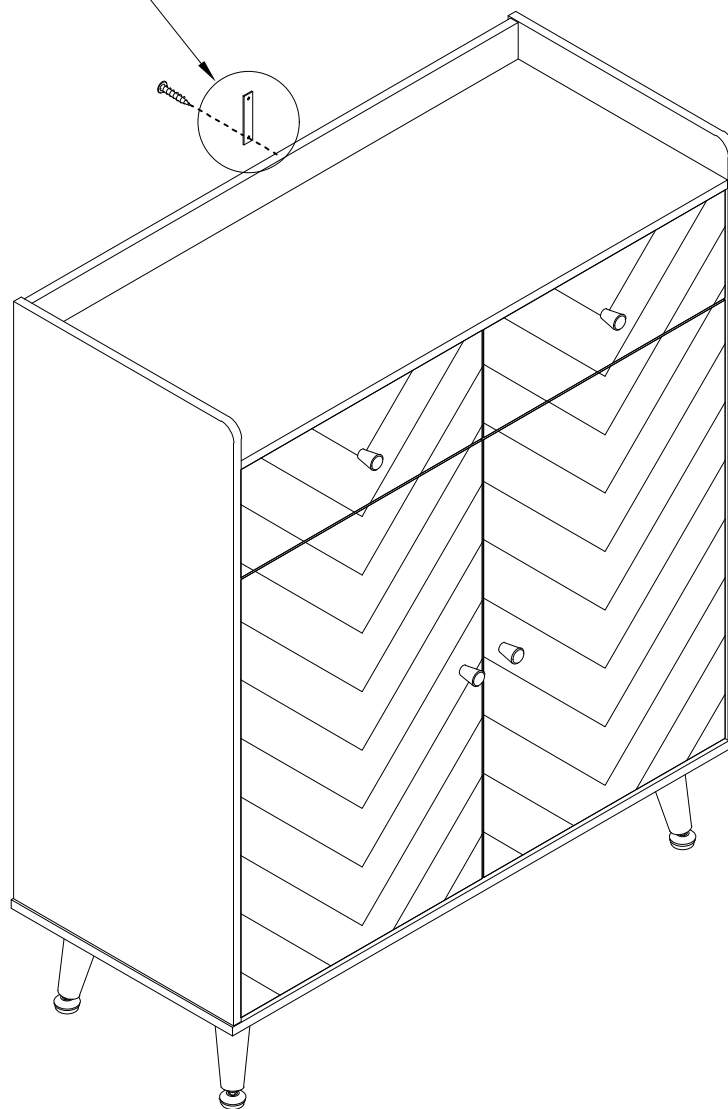
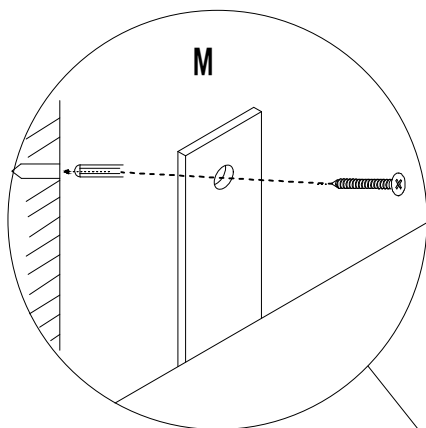
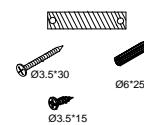


These two screws will be locked after the door panel is adjusted up and down.



## Step 25

M 1set



OK