

SANICANADA

Perfection is our Tradition™

HAND MADE STAINLESS STEEL SINK

Model: AP3320S

Dimensions: 32-7/8 in. L x 20-3/4 in. W x 10 in. H

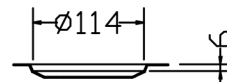
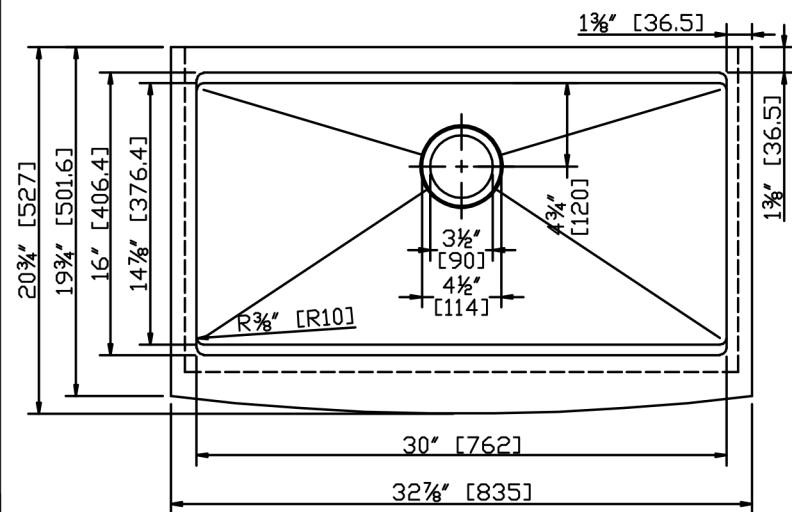
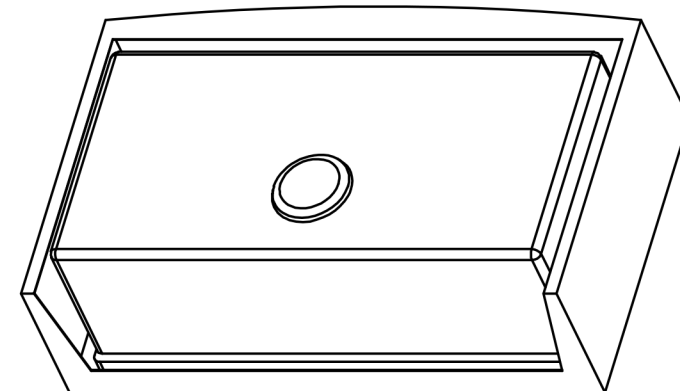
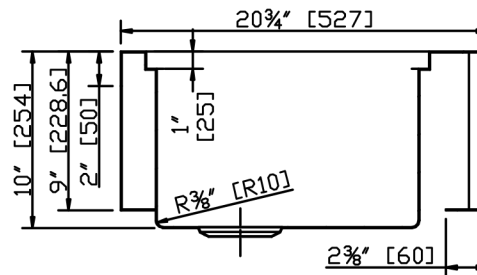
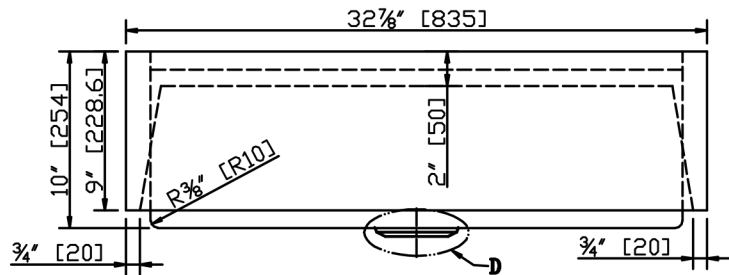
Material: SUS304 16Gauge

Product NO. : K-MAF

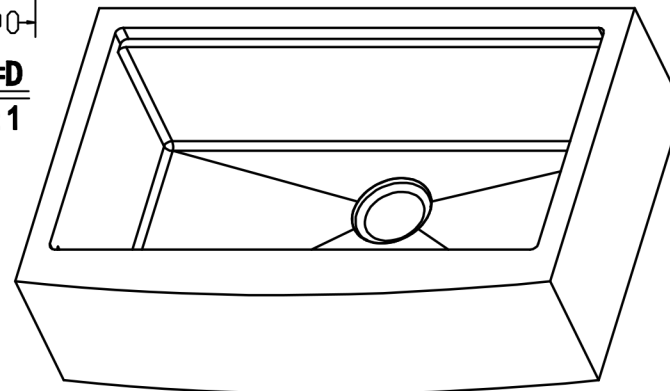
Date: 2020-06-26

Material Size:

Material Size:



D=D
2:1



For more information visit us at www.sanicanada.com or E-mail us at sanicanada@gmail.com