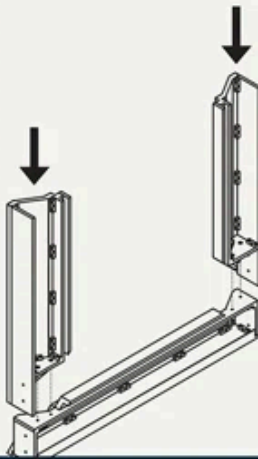


# Wood Mantel Surround Easy to Install

3 Pieces Only

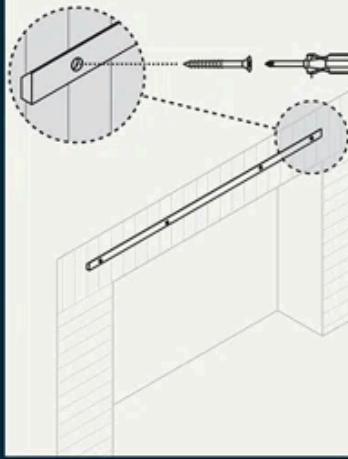
## Step 1

Assemble Mantel Surround  
(3 pieces only)



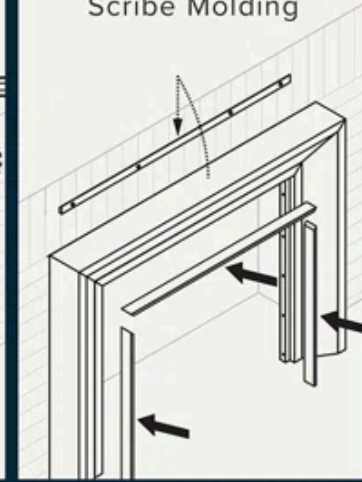
## Step 2

Attach Mounting Board to Wall



## Step 3

Hang Mantel Surround on Mounting Board, then attach Scribe Molding



What's included: Mounting Board · Wood Screws · Step-by-Step Guide