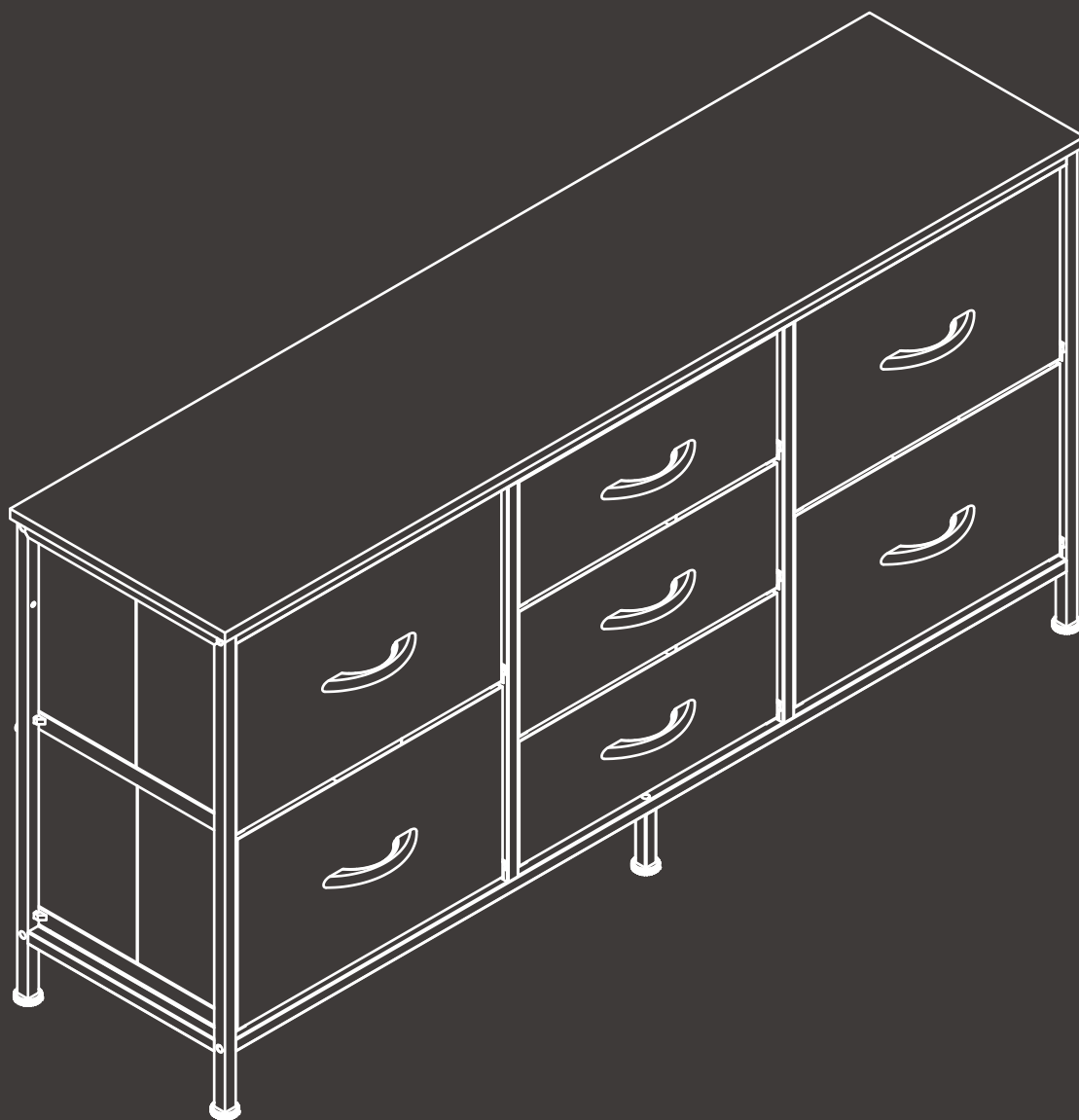
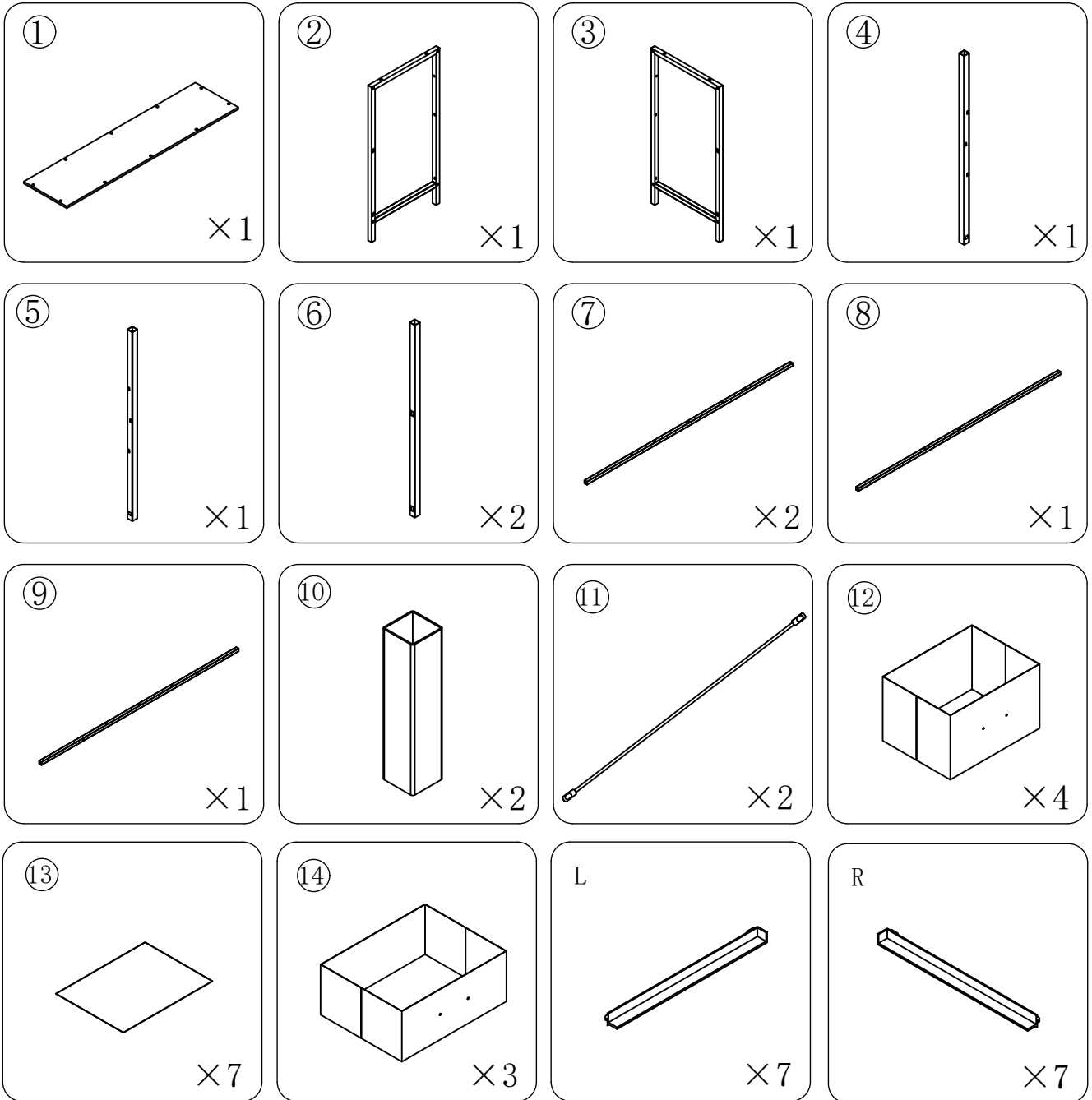


# Drawer Storage Tower

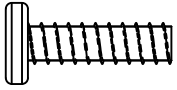
## Instruction Manual



# PARTS LIST

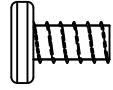


A



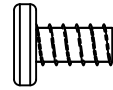
M6 × 23mm  
×22

B



M6 × 12mm  
×4

C



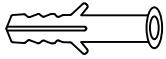
M6 × 8mm  
×6

D



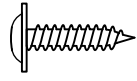
M4 × 60mm  
×2

E



×2

F



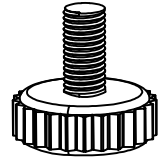
M4 × 10mm  
×14

G



×7

H



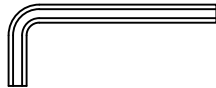
M6  
×6

I

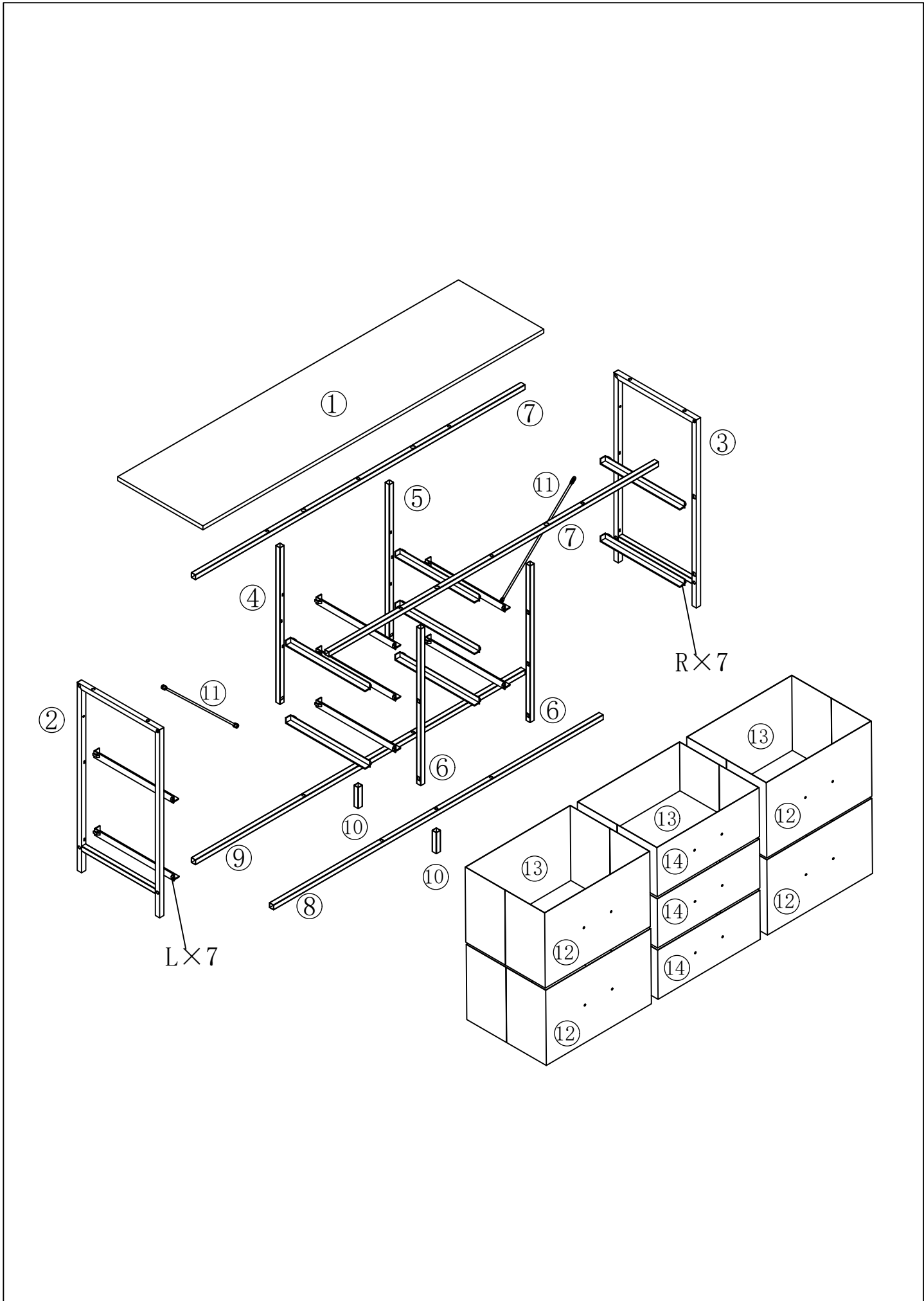


×1

J



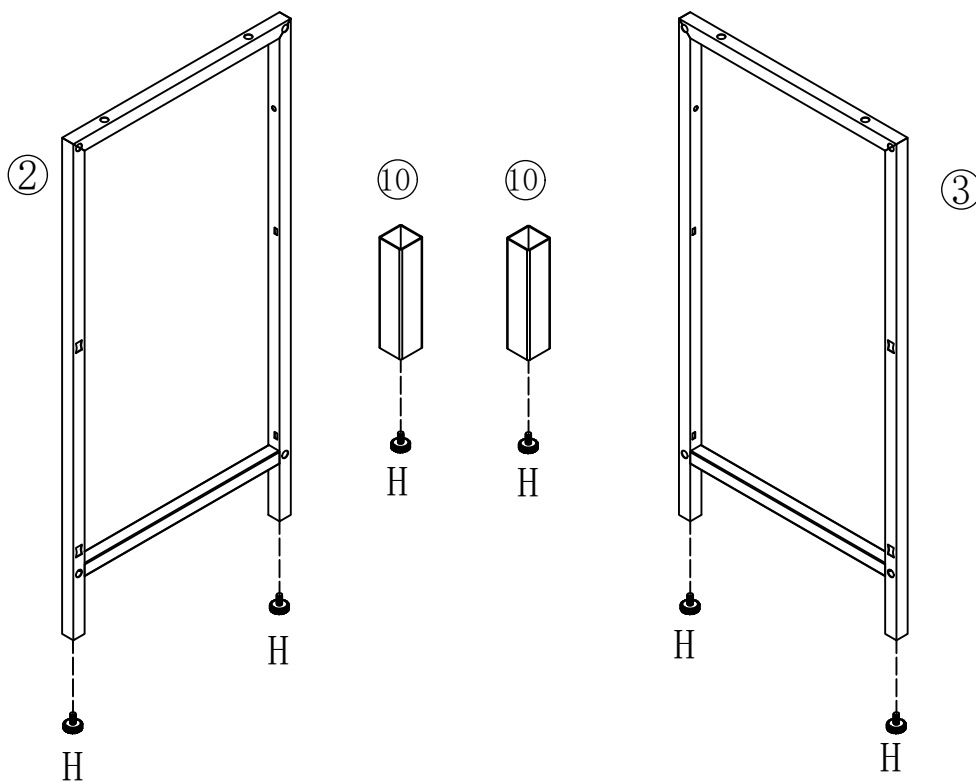
×1



# ASSEMBLY INSTRUCTION

1

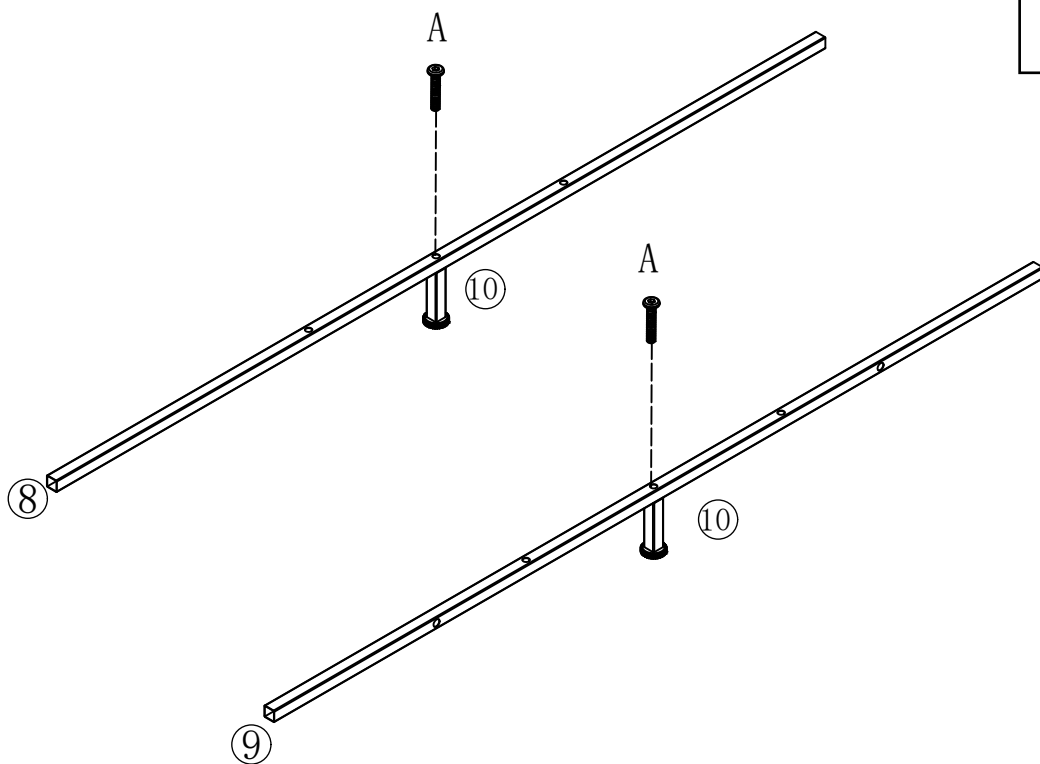
H  ×6



2

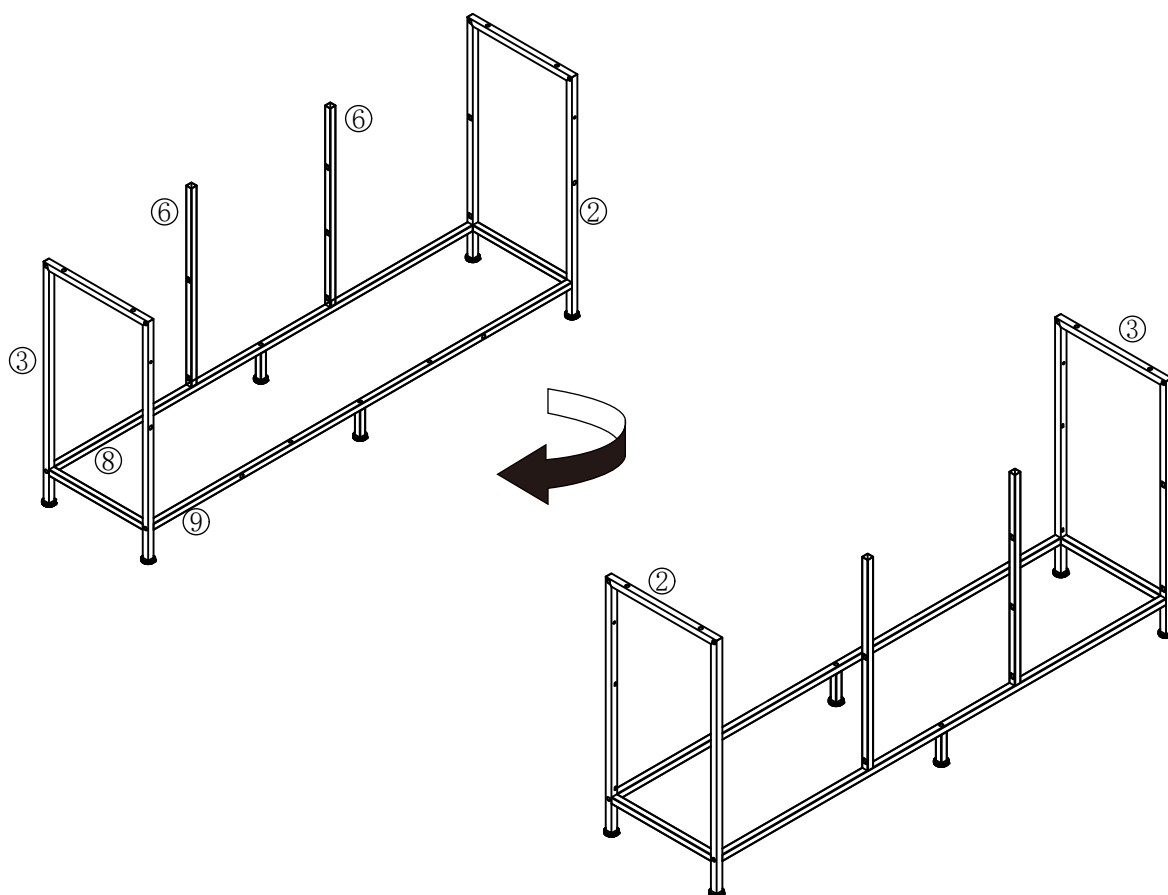
A  ×2

J  ×1

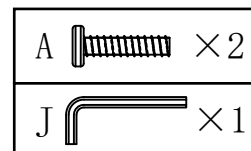
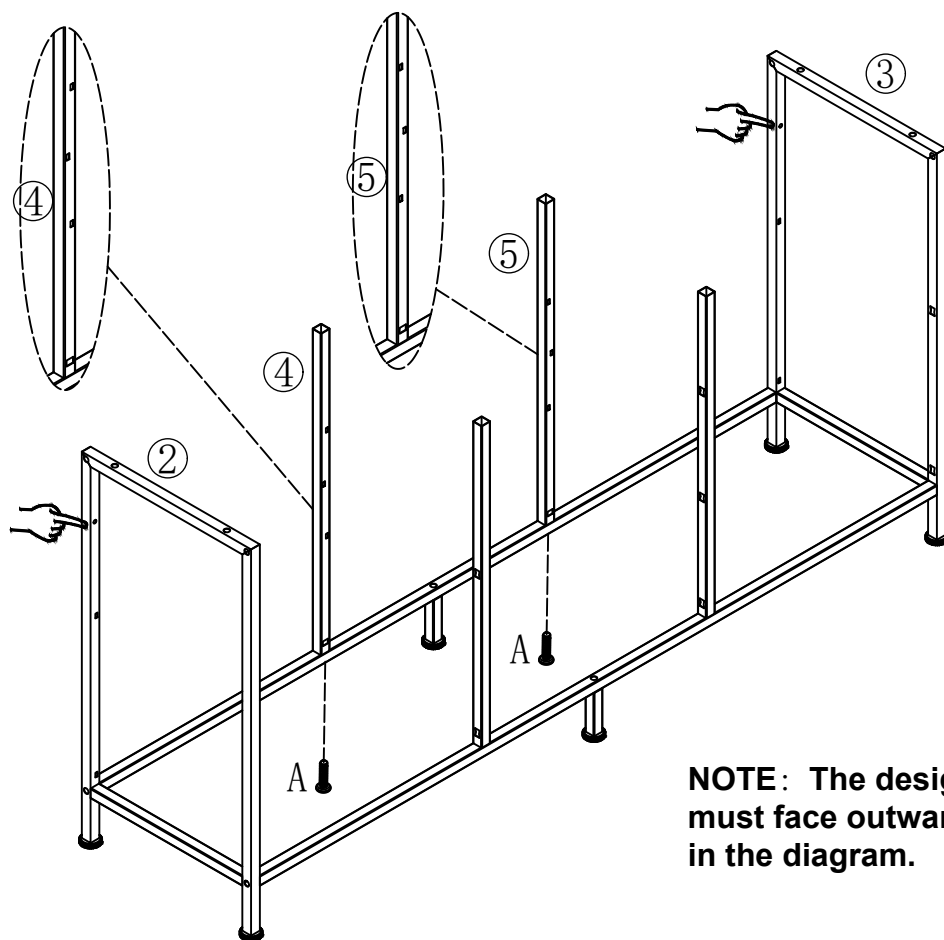




5

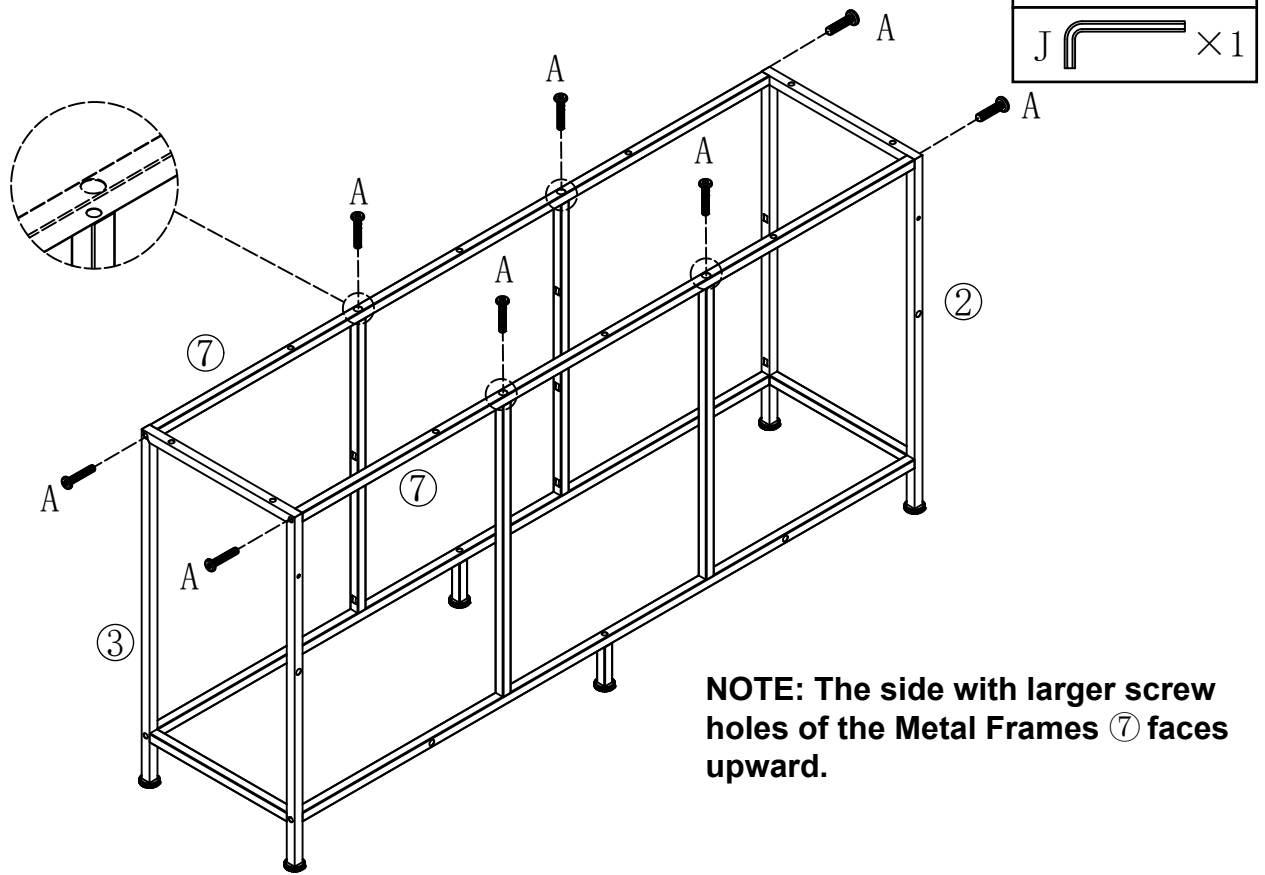


6

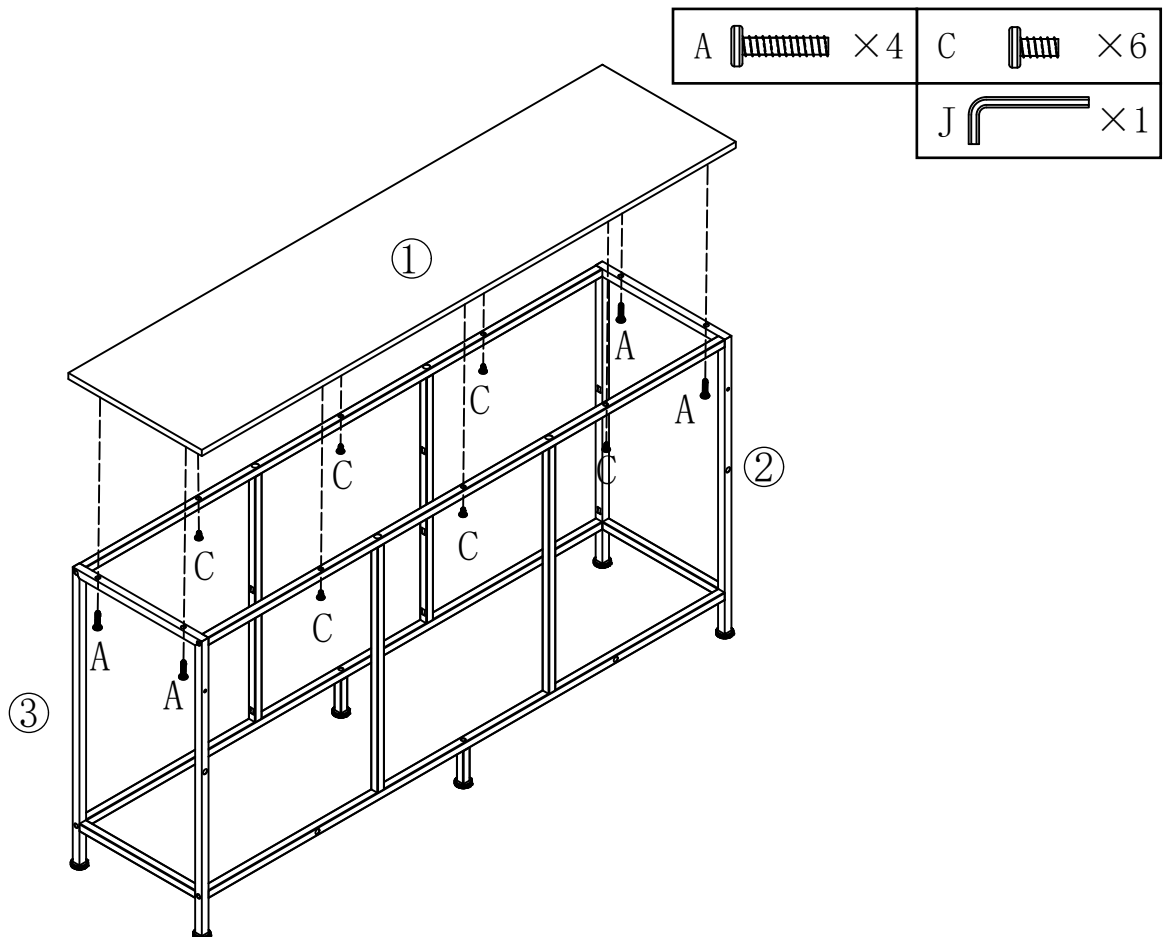


**NOTE:** The designated holes must face outward, as illustrated in the diagram.



7

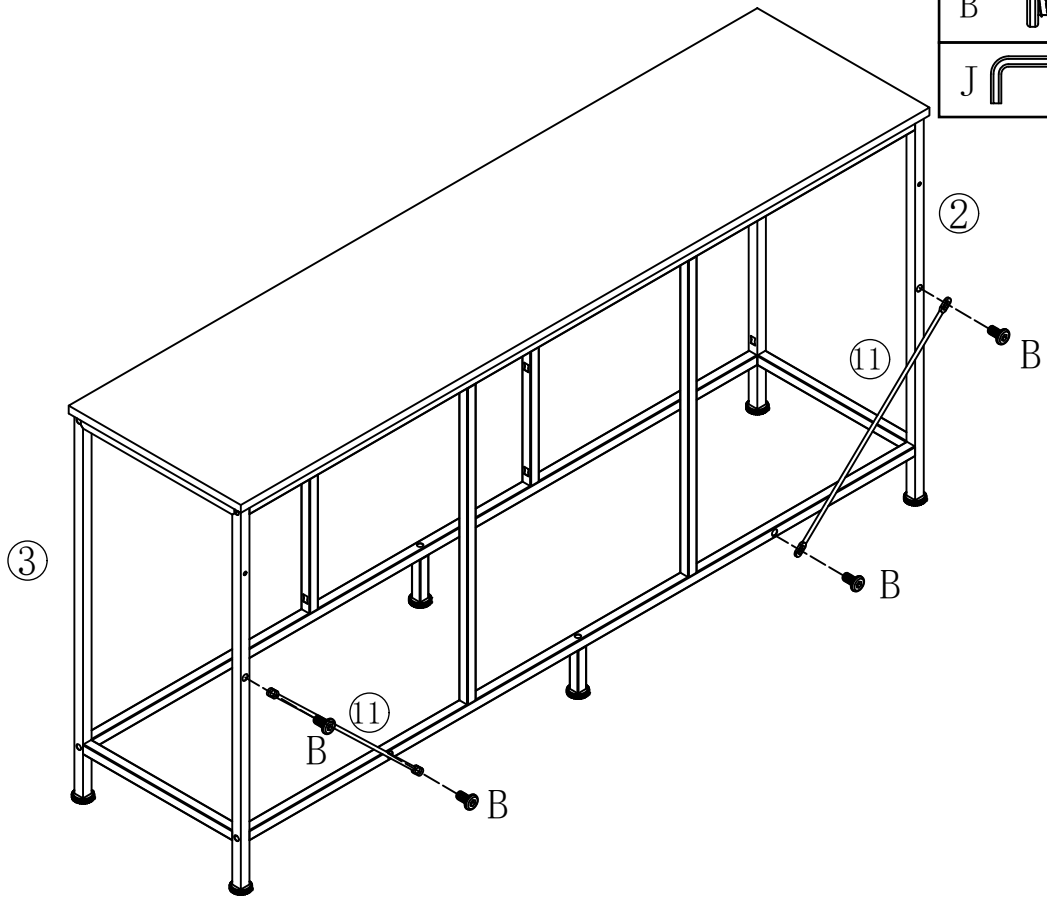


8

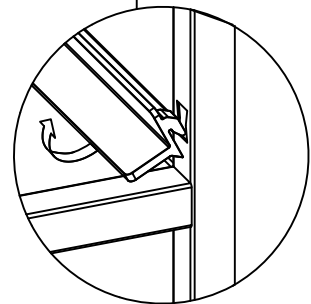
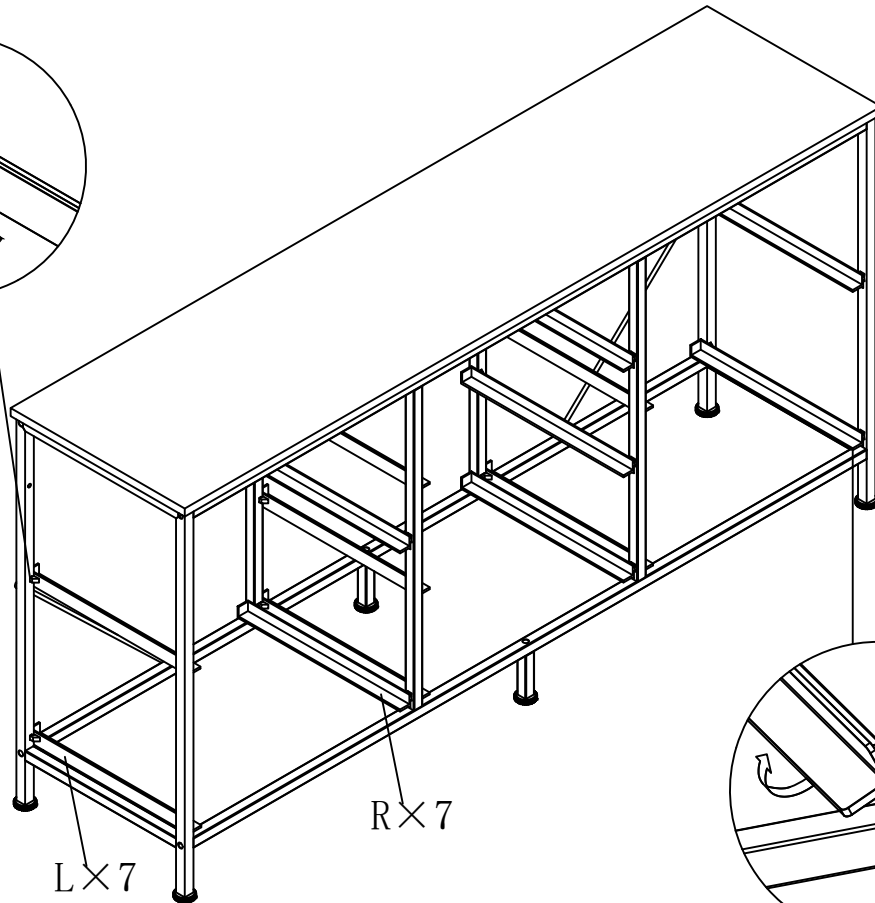
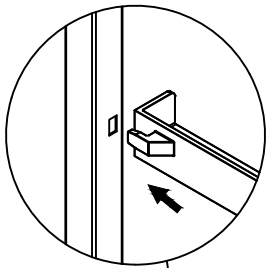


9


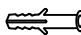
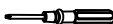
B		×4
J		×1

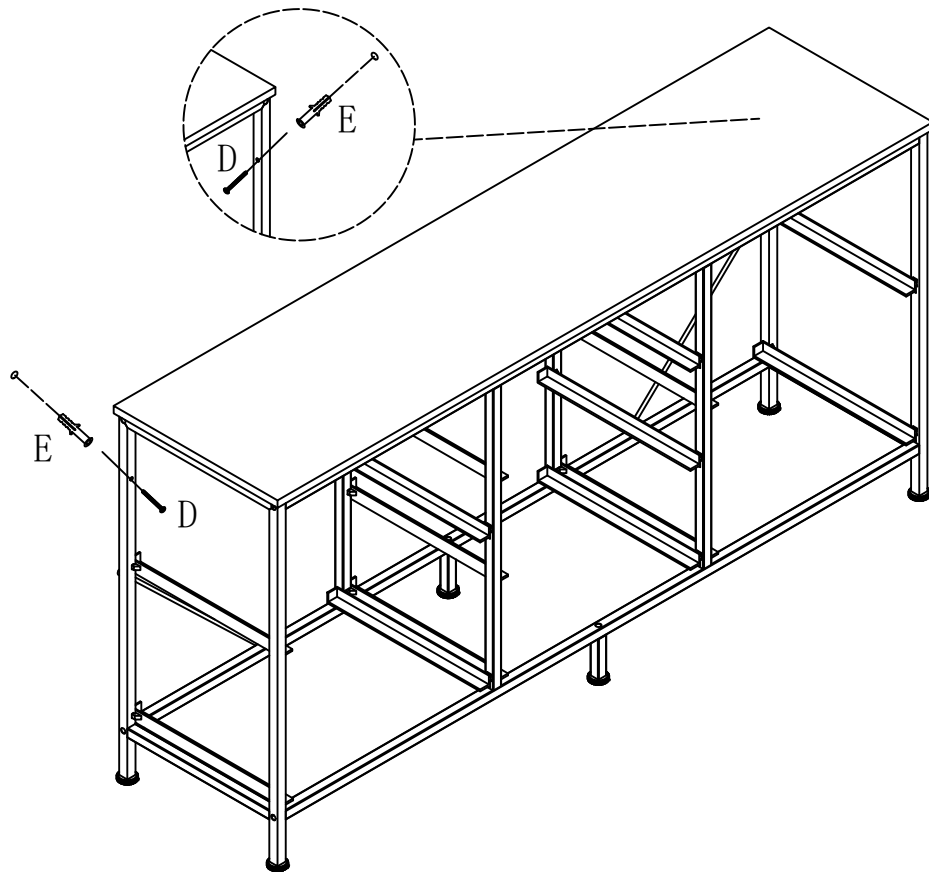


10

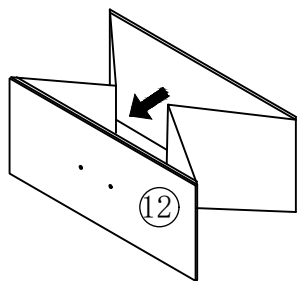


11

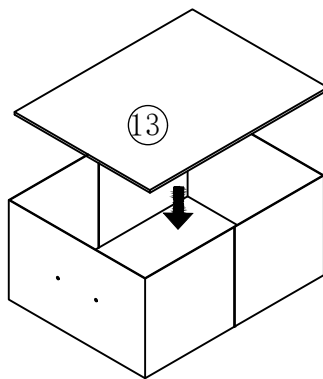
D		×2	E		×2
			I		×1






12



1



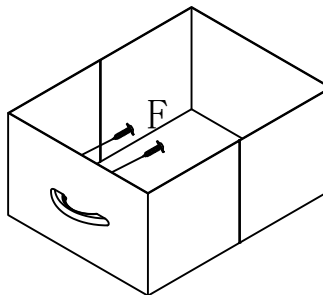
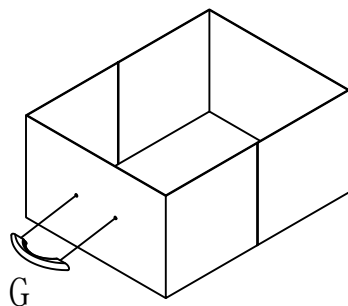
2

G		×4
F		×8
I		×1

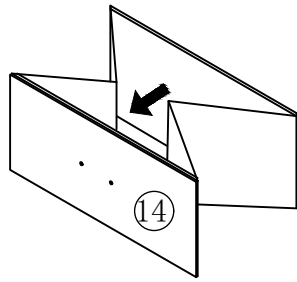
3

4

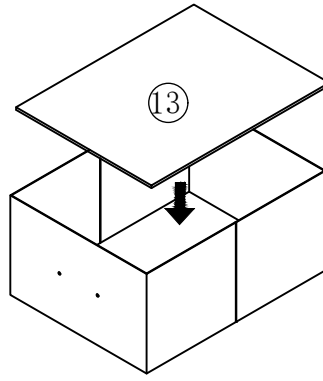
×4



13



1



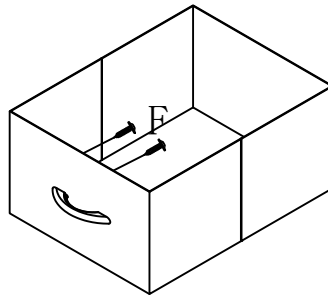
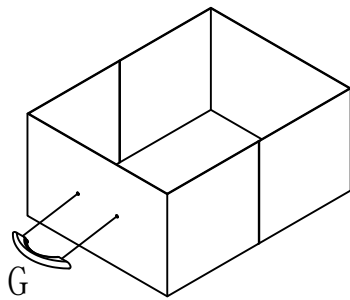
2

G		×3
F		×6
I		×1

3

4

× 3



14

