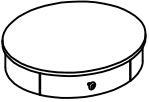
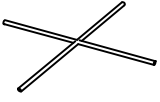





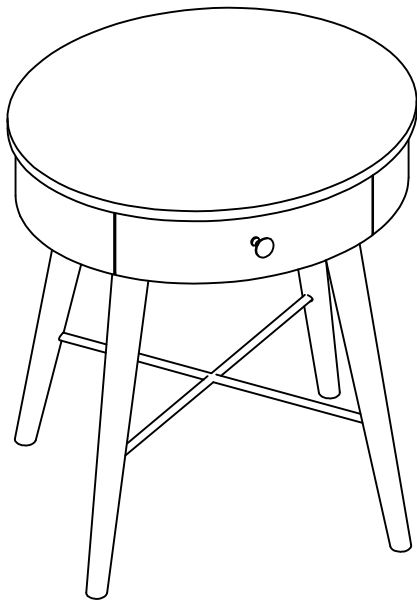


ASSEMBLY INSTRUCTION

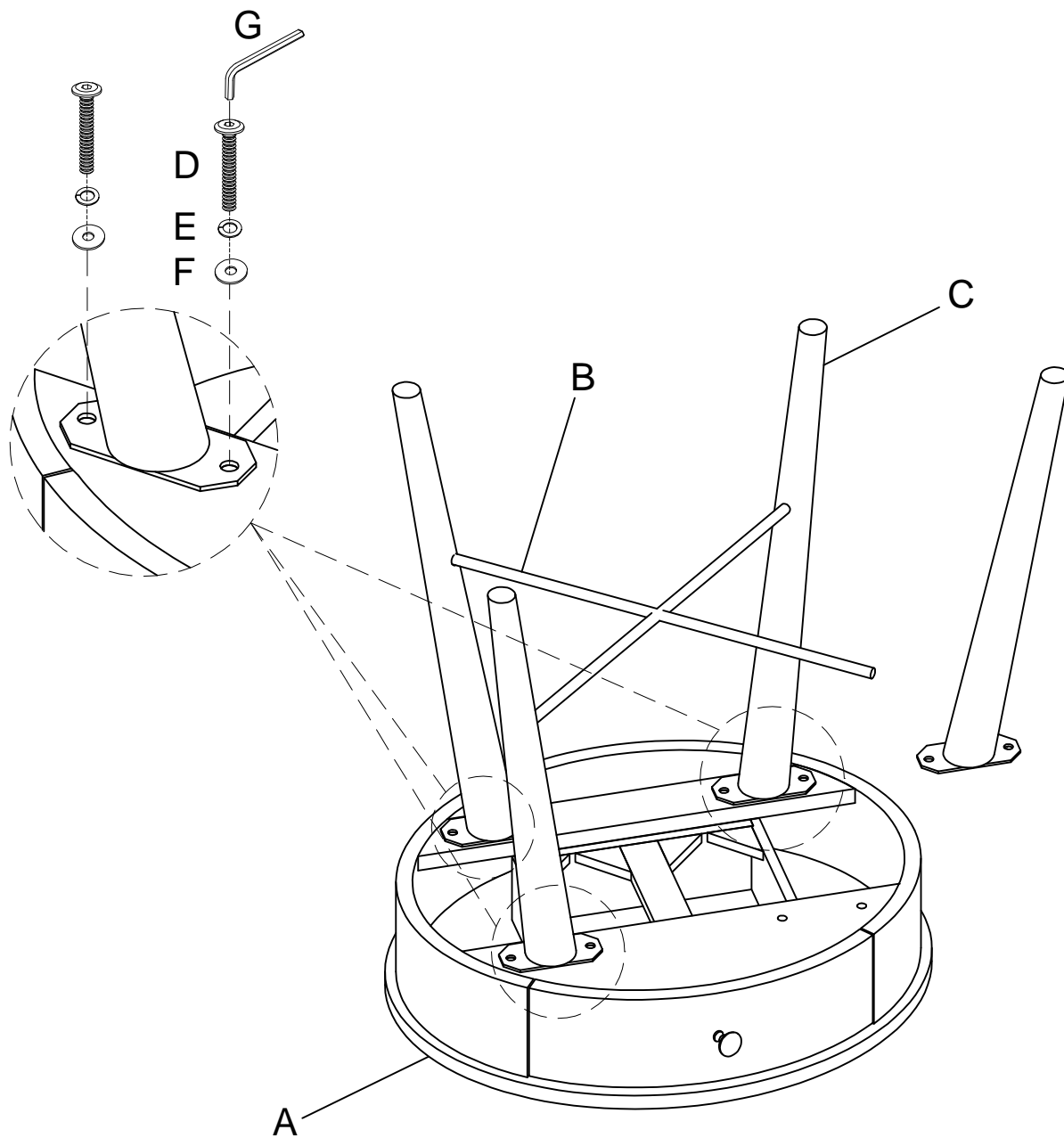
OVAL ACCENT TABLE

A Table Top  1 pc	B X-Steel Bar  1 pc	C Legs  4 pcs	D Allen Bolt Ø1/4"*22mm  8 pcs
E Lock Washer Ø1/4"  8 pcs	F Flat Washer Ø1/4"*19mm  8 pcs	G Allen Key 4mm  1 pc	



This page lists all the contents included in the box. Please take the time to identify the hardware as well as the individual components to this product. As you unpack and prepare for assembly, place the contents on a carpeted or padded area to protect them from damage.

- 1** Attached Table Top (A) to the Legs (C). Use Allen Bolt (D), Lock Washer (E) and Flat Washer (F) on holes of Legs (C). Turn the Allen Key (G) in Allen Bolt (D). Attached X-Steel Bar (B) to the Legs (C). Then attached the last Legs (C) to the Table Top (A) and X-Steel Bar (B).



Cleaning & Care

Treat surface with care. Surface is resistant to scratches but is not scratch resistant. Clean surfaces with a dry or damp soft cloth. Do not use abrasive cleaners. Hardware may loosen over time. Periodically check that all connections are tight.