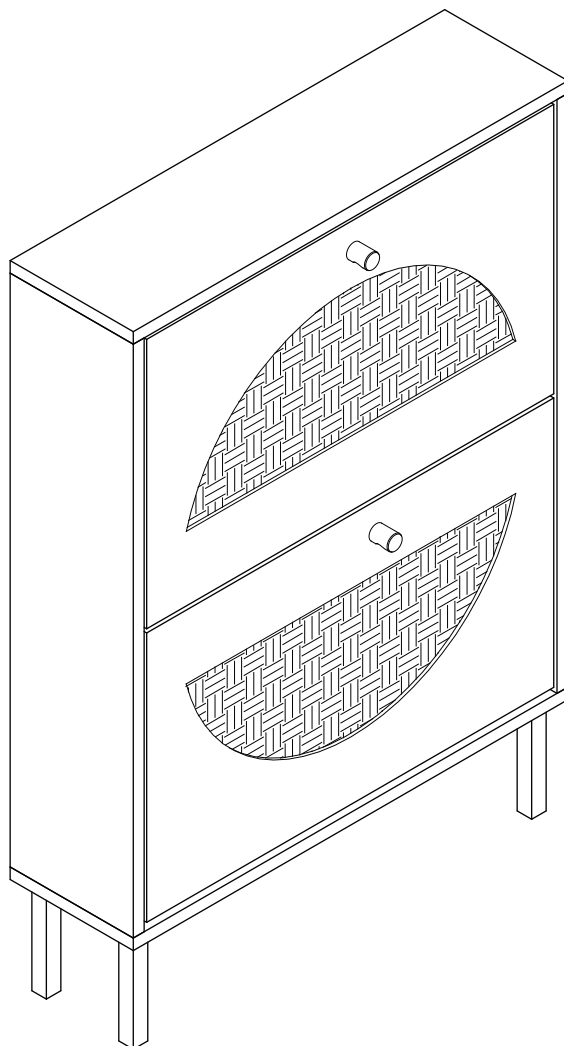


# Installation Instruction



---

**Two-door shoe cabinet**

# Assembling

Estimated time for assembly

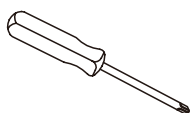


**30 : 00**

What you need

Screw M4X14MM

- Use the packaging carton as a working surface to prevent product damage during assembly
- Phillips head screwdriver



Weight Limitation



**55**

lbs table top

**| 11**

lbs per shelf

# What's included

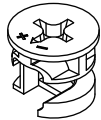
Code	Description	Qty
A	Cam Bolt M6X35MM	4
B	Cam Lock 15X12MM	4
C	Wooden Dowel M6X30MM	8
D	Screw M5X40MM	8
E	Allen Key	1
F	Bolt M6X12MM	12
G	Screw M3.5X14MM	20
H	Handle	2
I	Bolt M4X18MM	2
J	Inner Shaft	4
K	Buckle	4
L	Left Plastic Holder	2
M	External Shaft	4
N	Plastic corner support	8
O	Screw M3X14MM	8
P	Anchor M6X30MM	2
Q	Screw M4X40MM	2
R	Right Plastic Holder	2
S	Screw M4X10MM	4
T	Supporting iron foot	4
V	Screw hole sticker	4

# The Hardware

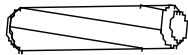
A



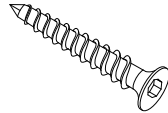
B



C



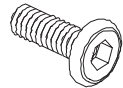
D



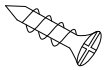
E



F



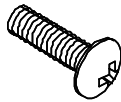
G



H



I



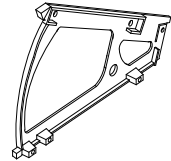
J



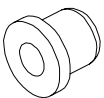
K



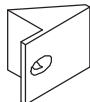
L



M



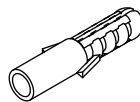
N



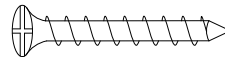
O



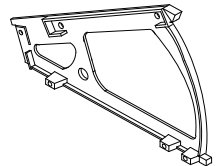
P



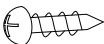
Q



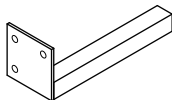
R



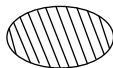
S



T



V



**IMPORTANT:**

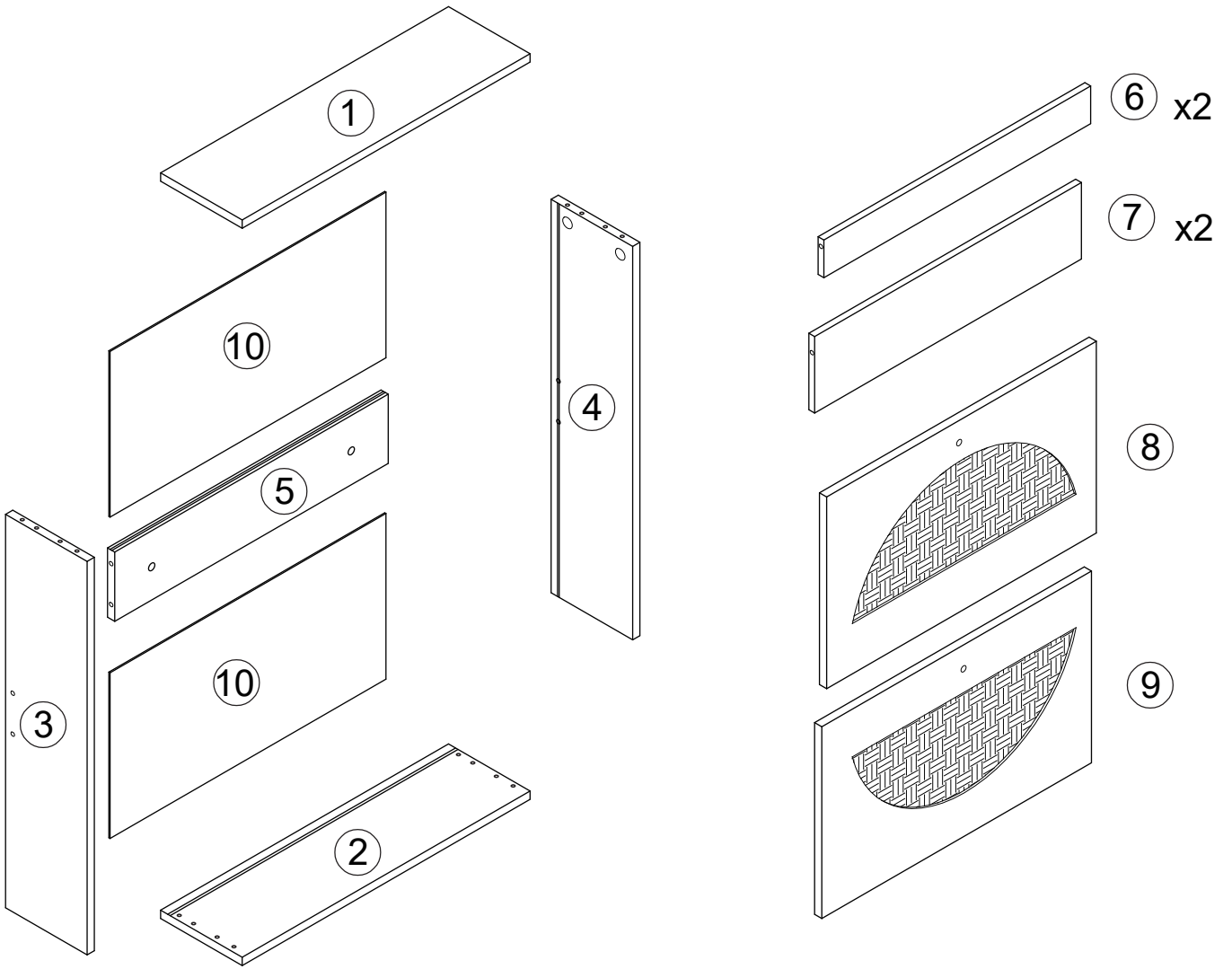
1. Do not tighten bolts / screws completely until all bolts / screws are lined up and inserted into holes.
2. Do not over tighten screws and bolts to avoid stripping.
3. Please use hand tools to assemble this product. Do not use power tools.

# Included Accessories

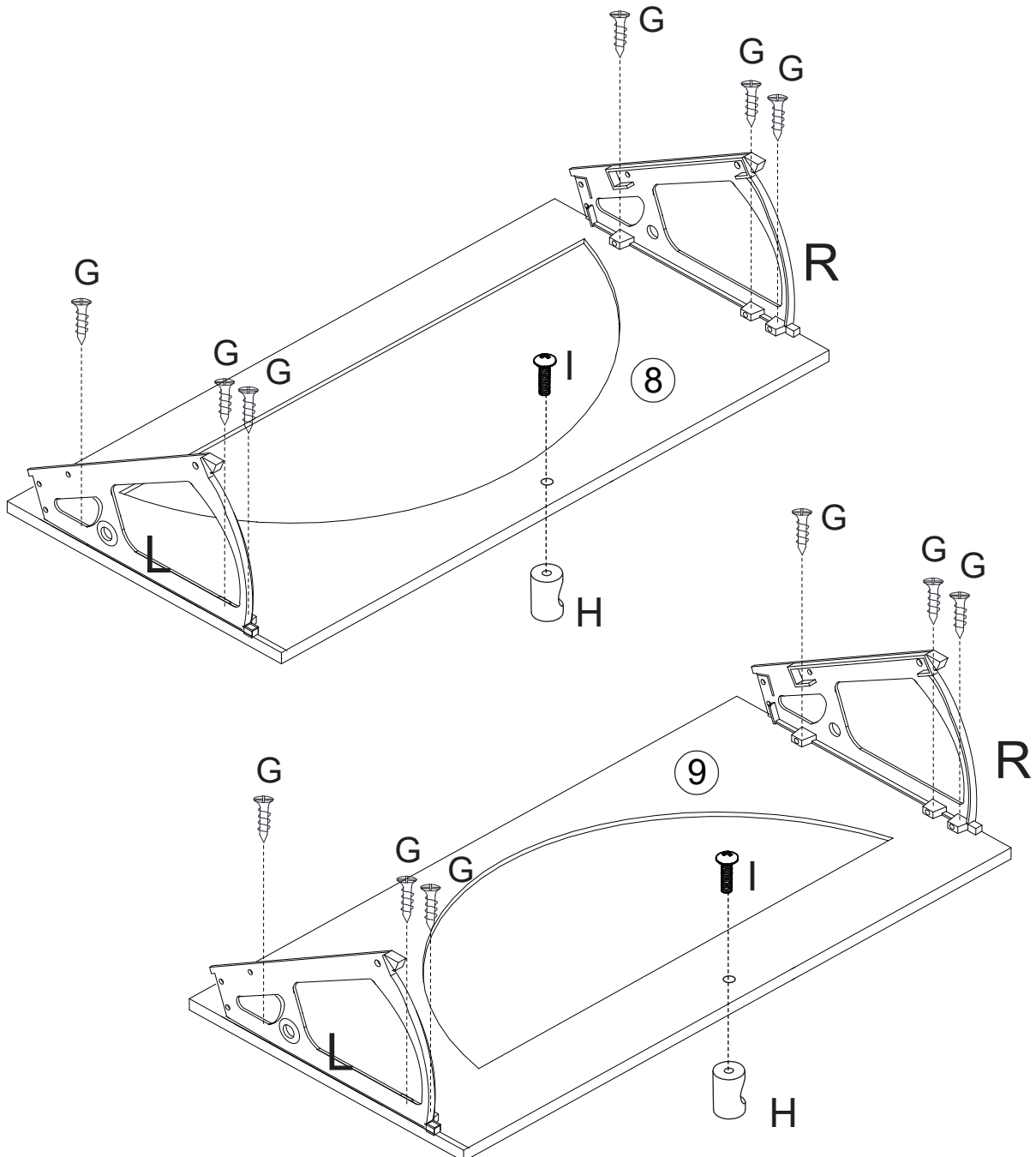
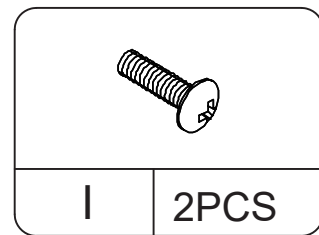
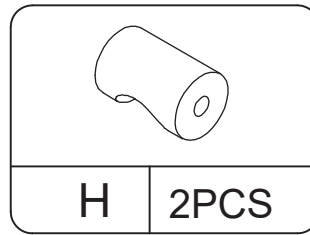
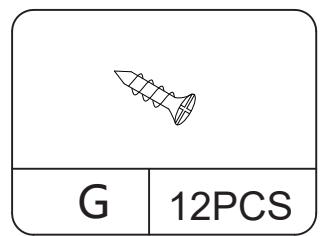
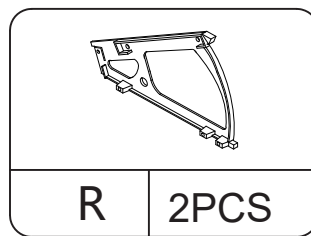
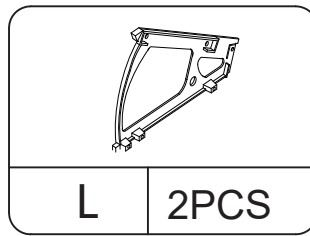
---

<b>Code</b>	<b>Description</b>	<b>Qty</b>
<b>1</b>	Cabinet Top	<b>1</b>
<b>2</b>	Bottom Panel	<b>1</b>
<b>3</b>	Left Side Panel	<b>1</b>
<b>4</b>	Right Side Panel	<b>1</b>
<b>5</b>	<b>Rear lock wallboard</b>	<b>1</b>
<b>6</b>	<b>Small partition board</b>	<b>2</b>
<b>7</b>	<b>Large clapboard</b>	<b>2</b>
<b>8</b>	<b>Upper door panel</b>	<b>1</b>
<b>9</b>	<b>Lower door panel</b>	<b>1</b>
<b>10</b>	<b>Back Panel</b>	<b>2</b>

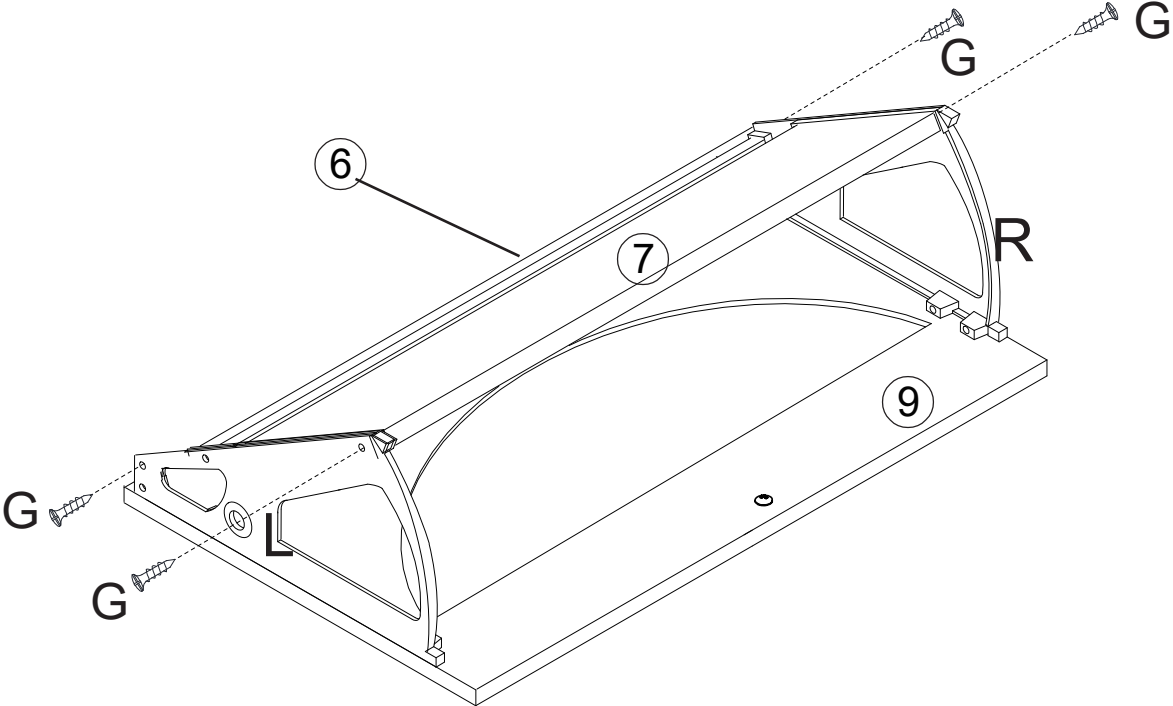
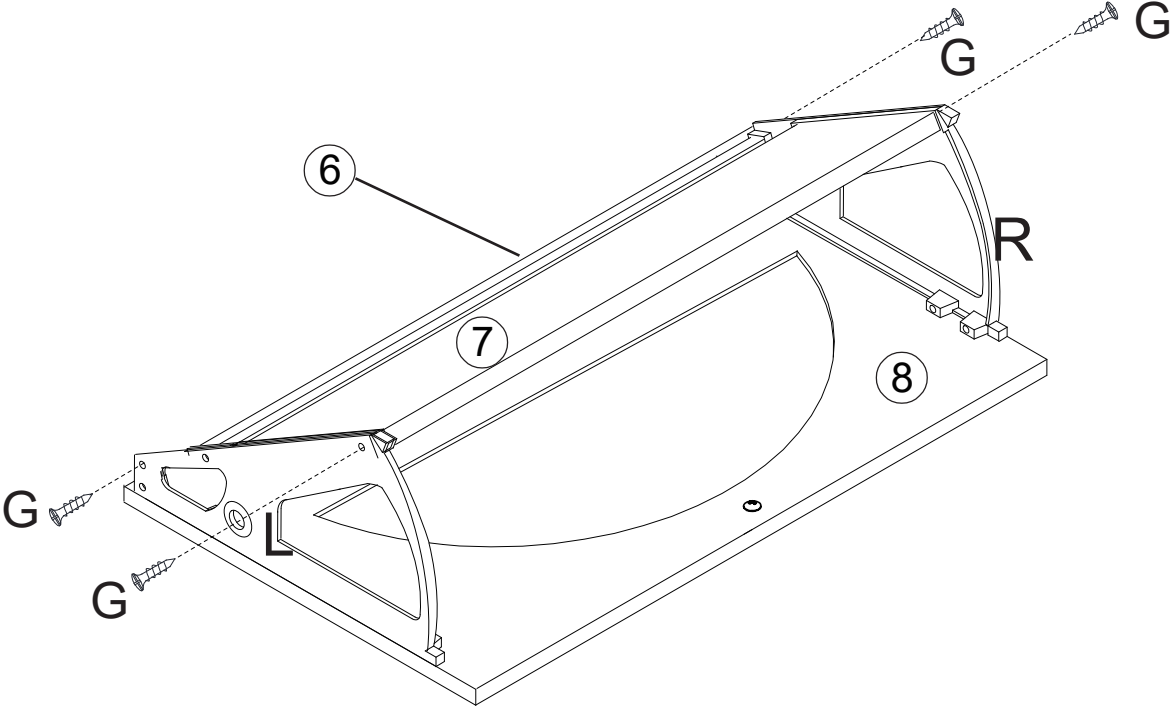
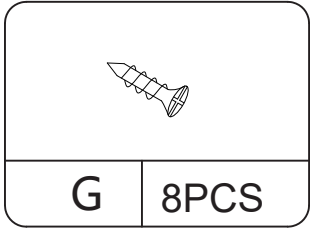
---



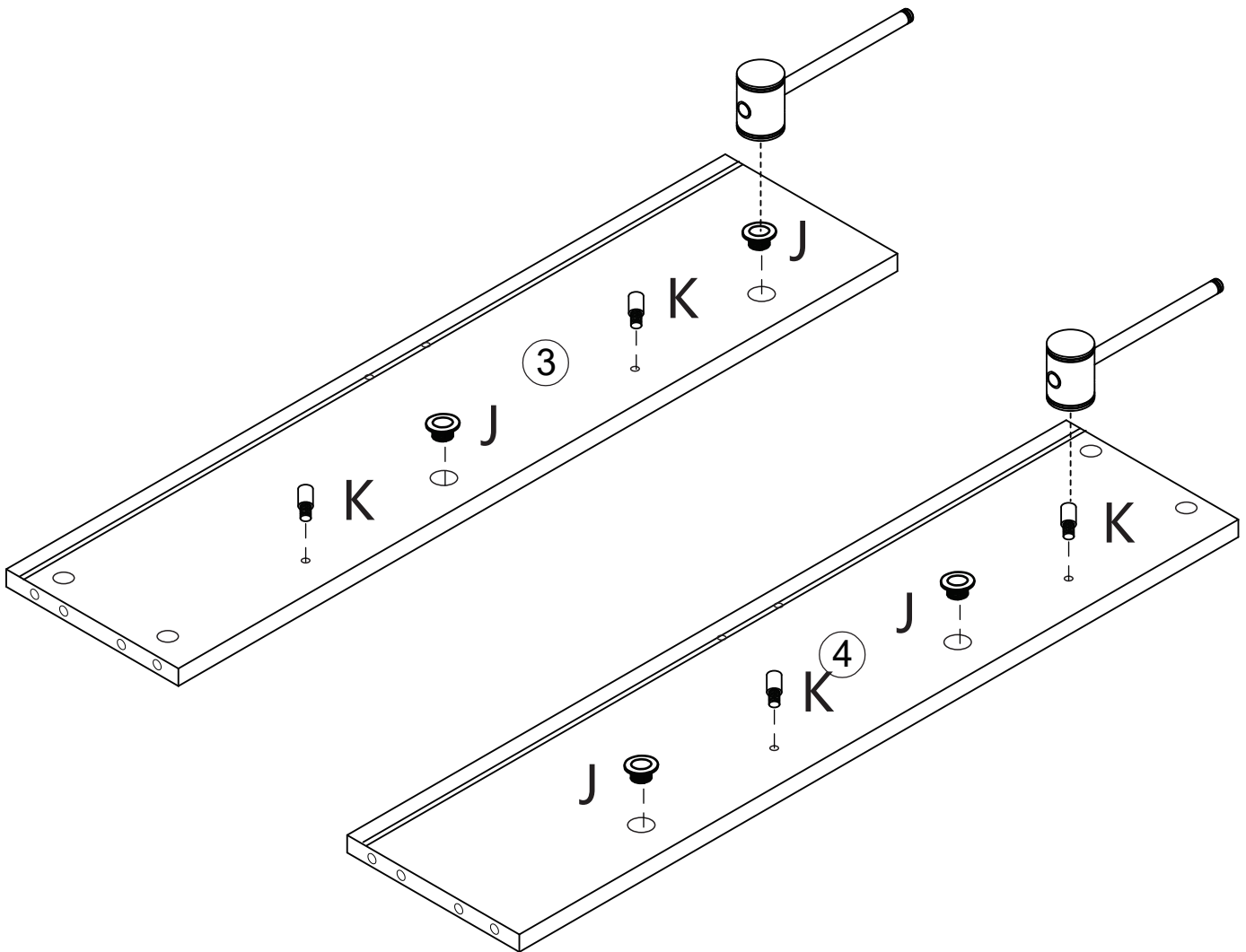
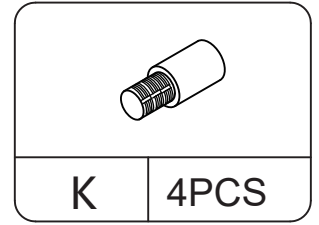
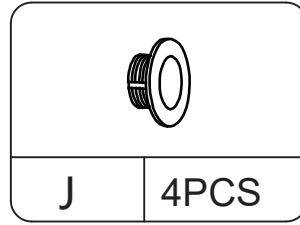
# Step 1



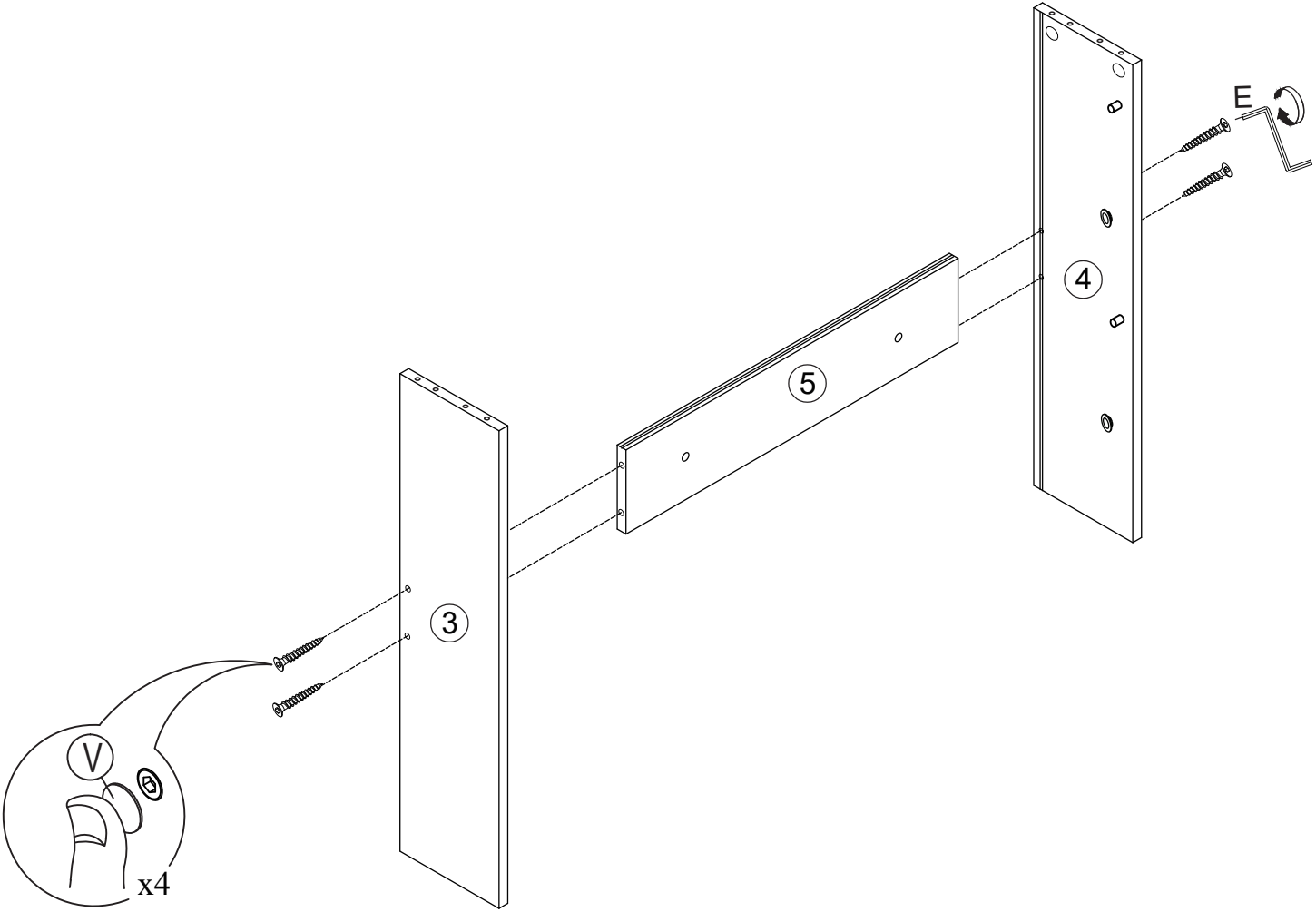
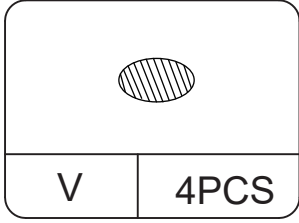
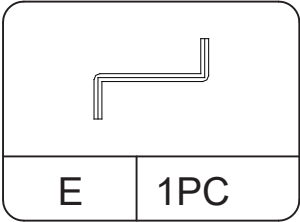
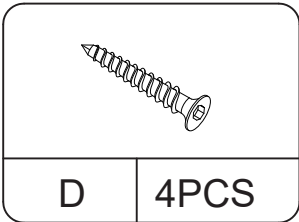
# Step 2



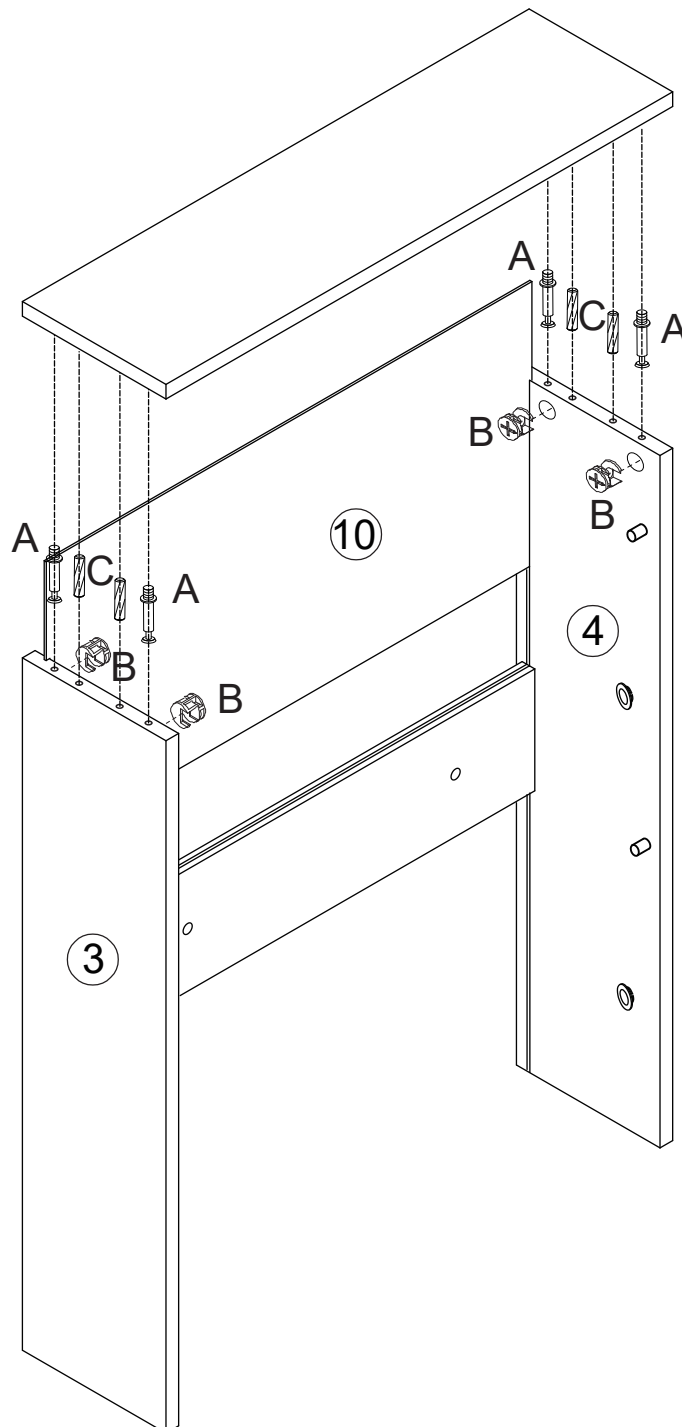
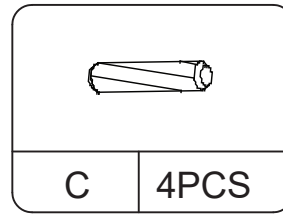
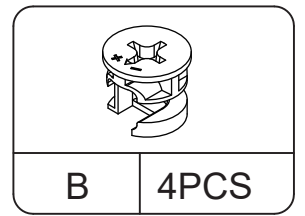
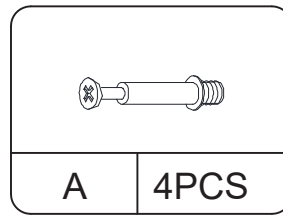
# Step 3



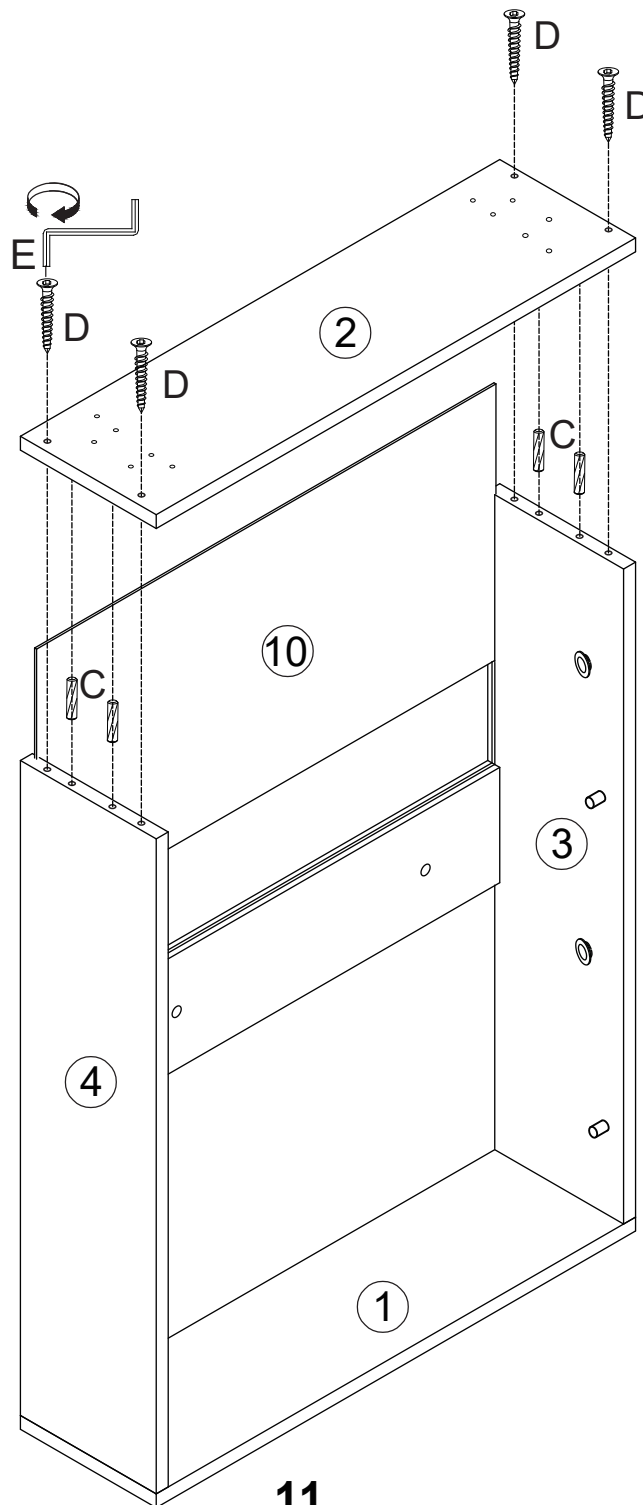
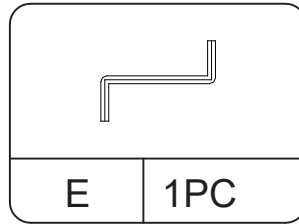
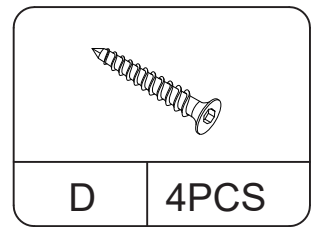
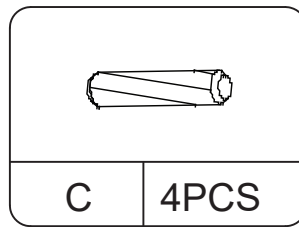
# Step 4



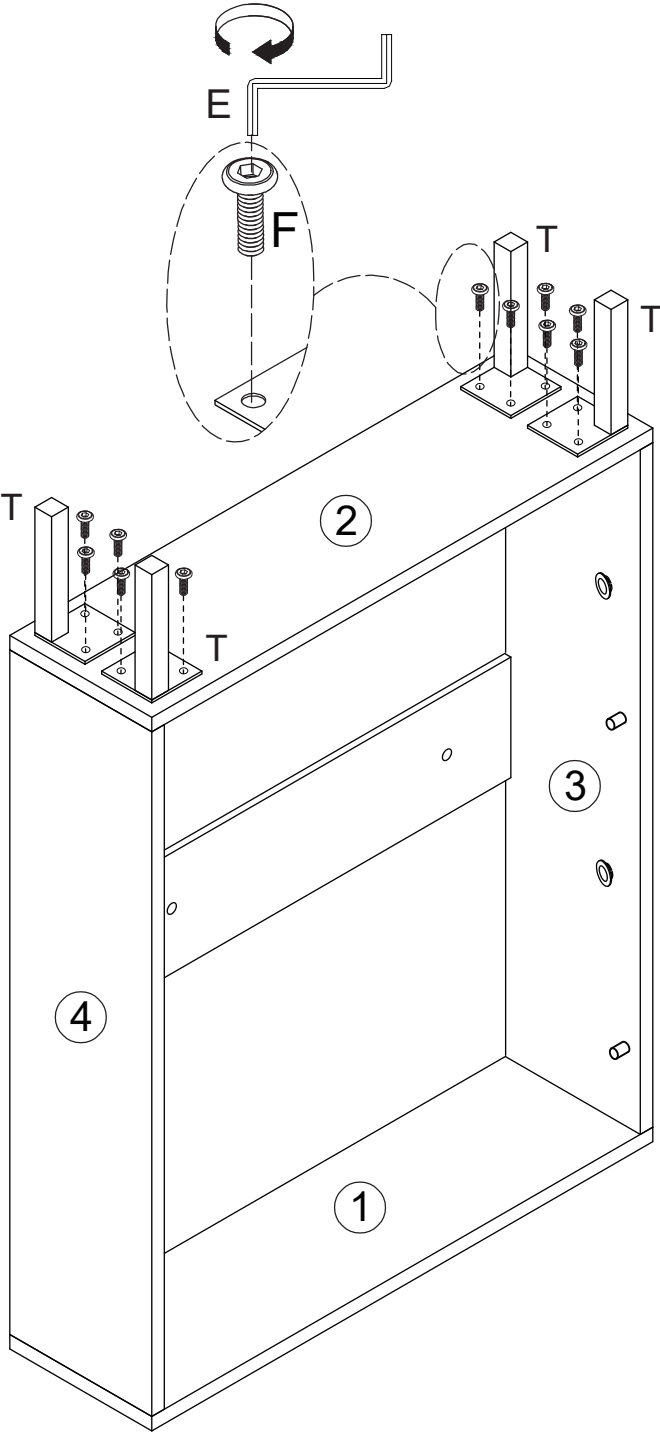
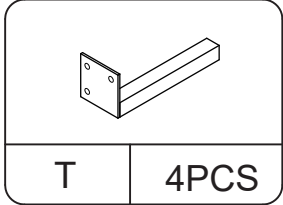
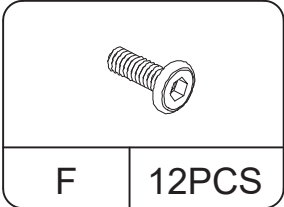
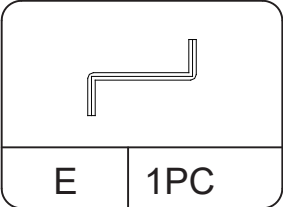
# Step 5



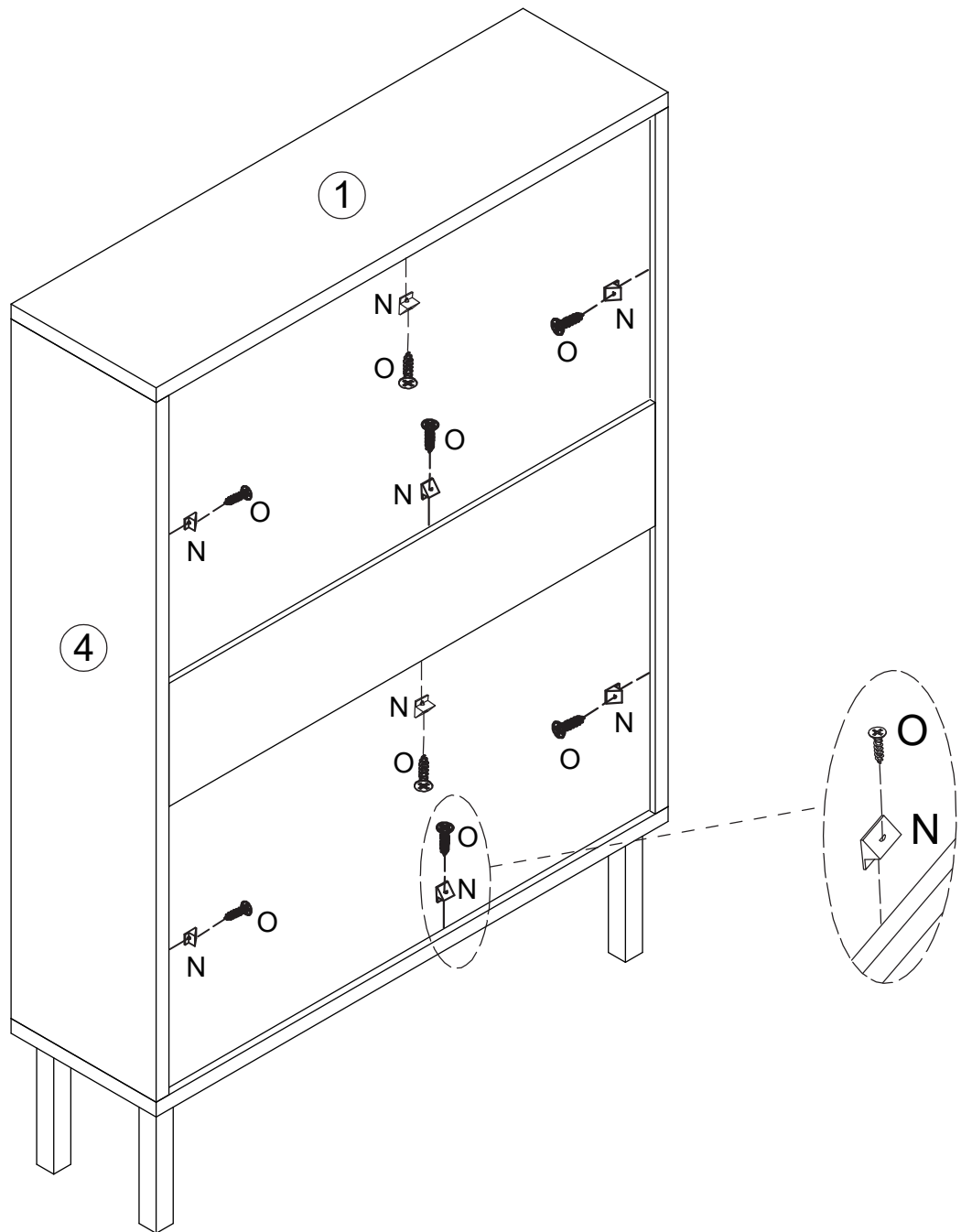
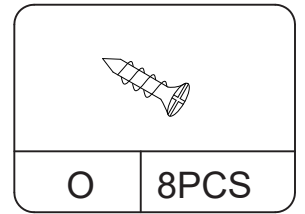
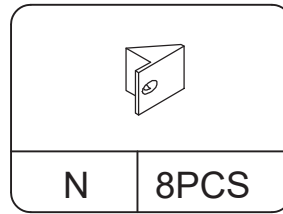
# Step 6



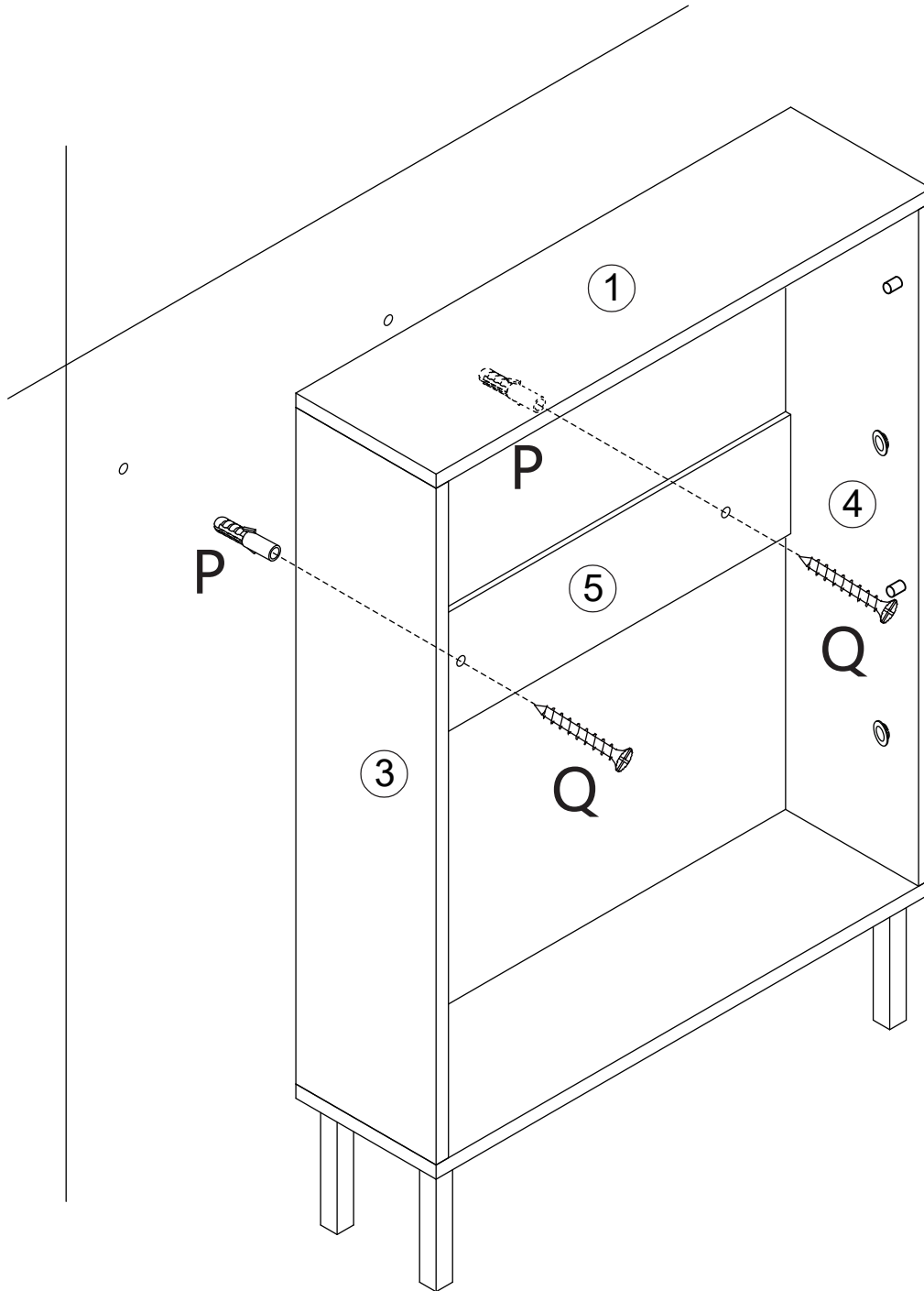
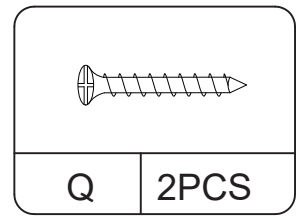
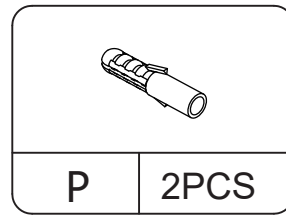
# Step 7



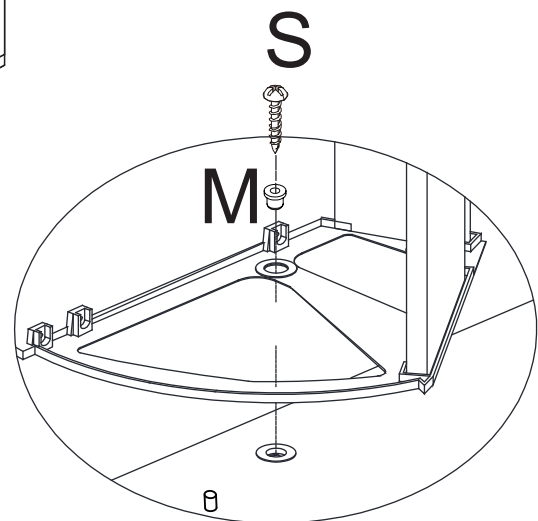
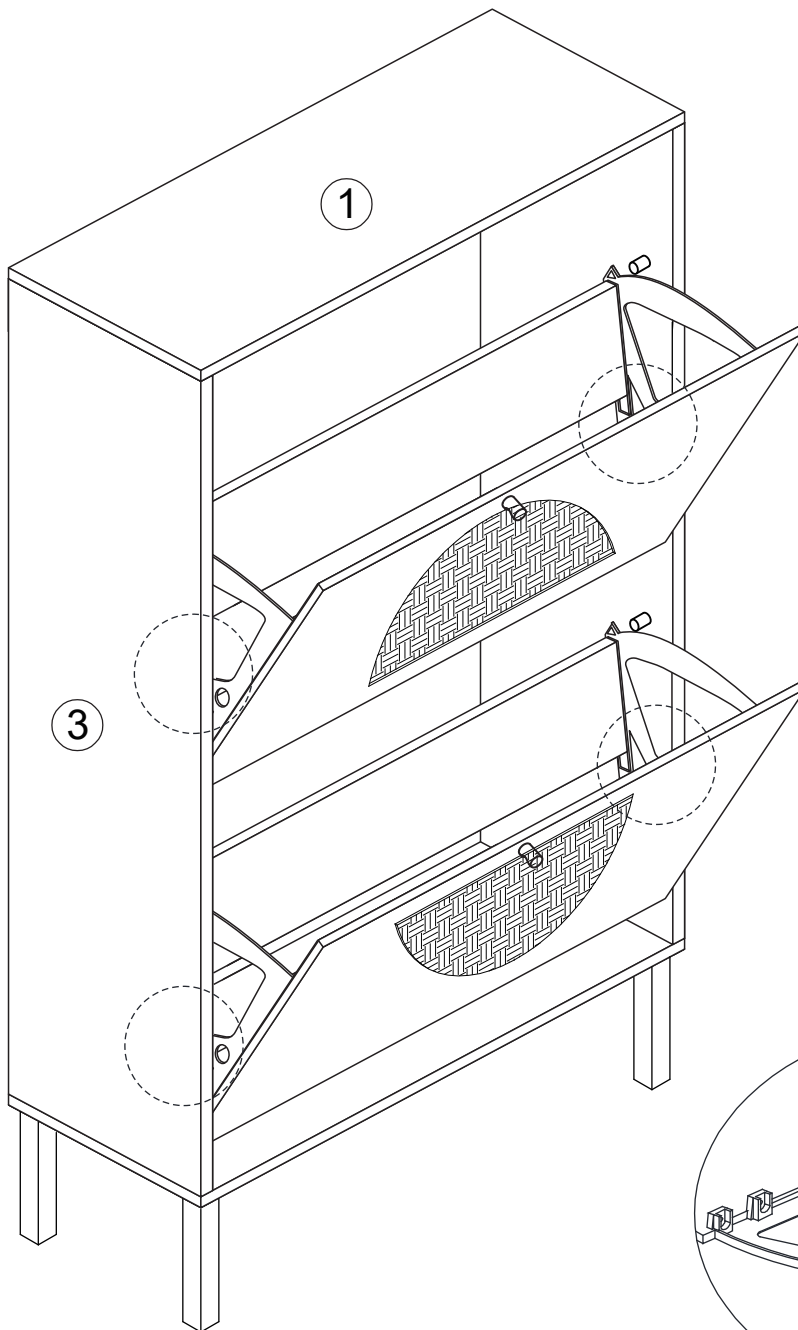
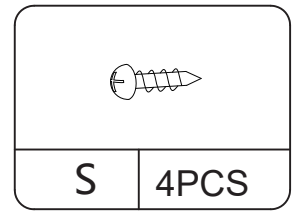
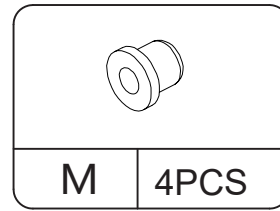
# Step 8



# Step 9



# Step 10



# Proper Use

- DO NOT** use for commercial purposes
- DO NOT** use as a step stool or stand on table
- DO NOT** put hot serving liquid directly on the table top
- DO NOT** leave spilled liquid on the table top
- DO NOT** use table if damaged
- DO NOT** exceed weight limit
- DO NOT** make temporary repairs
- DO NOT** use outdoor