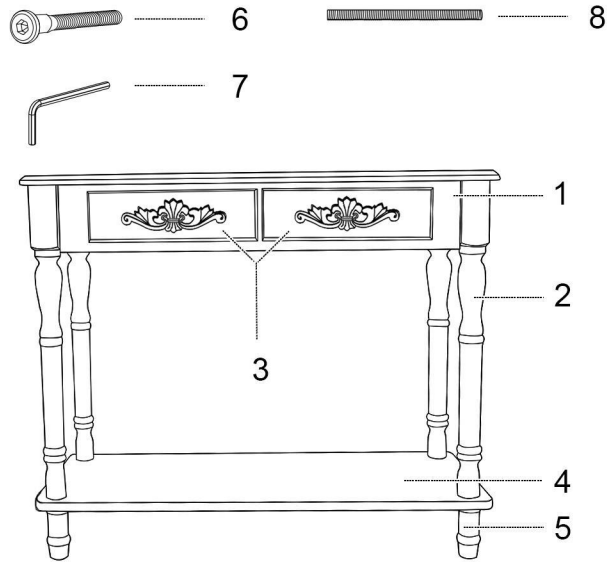


TABLE

Original Instruction Manual

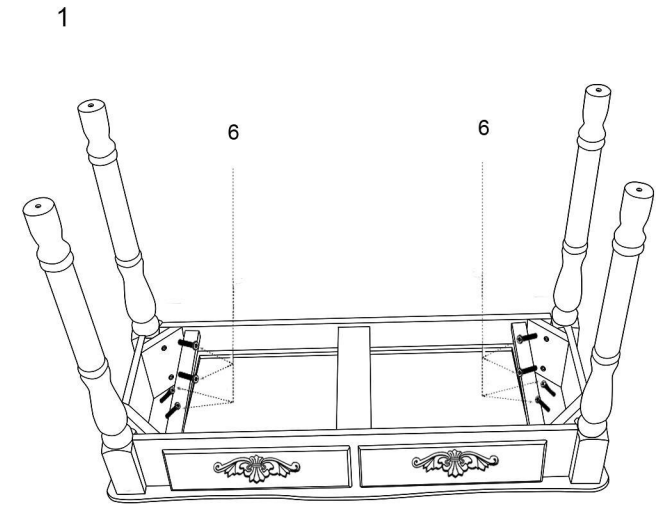


Part List



No.	Description	Quantity
1	Table body	1
2	Table leg	4
3	drawer	2
4	Board	1
5	Table feet	4
6	Screw M7x50mm	8
7	Allen wrench	1
8	Double end screw	4

Assembly Instructions



2

