

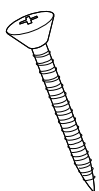
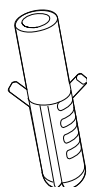
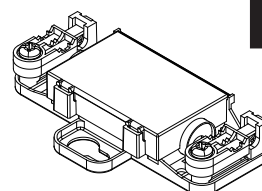
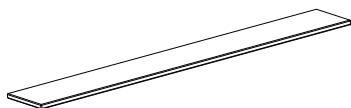
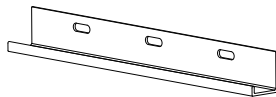
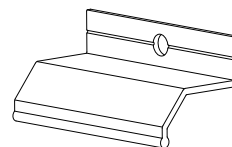
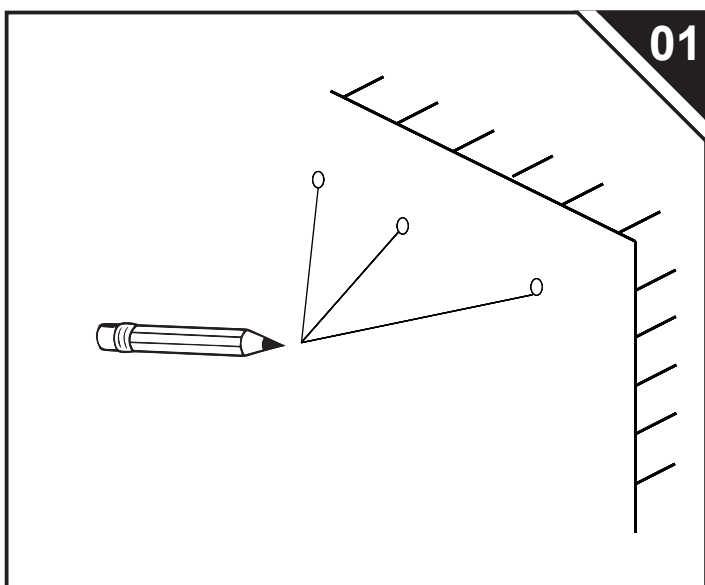
Nice to be a part of your home!

Installation

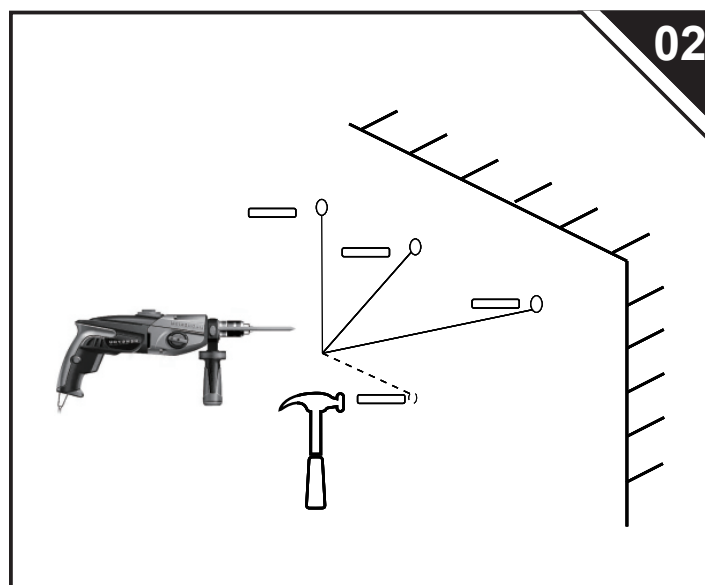
Manual

for

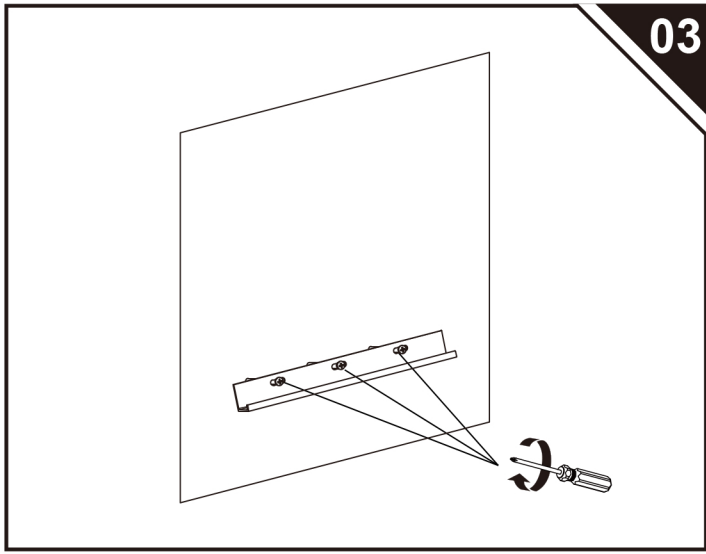
Medicine Cabinet

**A** x 5**B** x 5**C** x 1**D** x 2**E** x 1**F** x 2

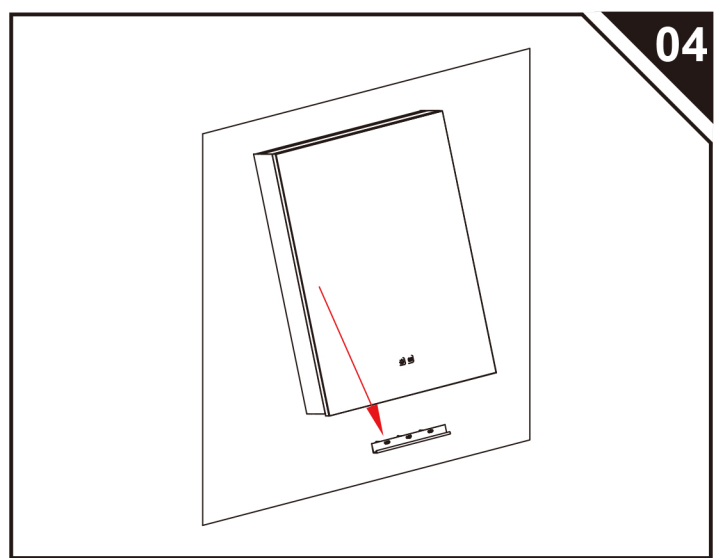
1. Mark the hole position on the wall.



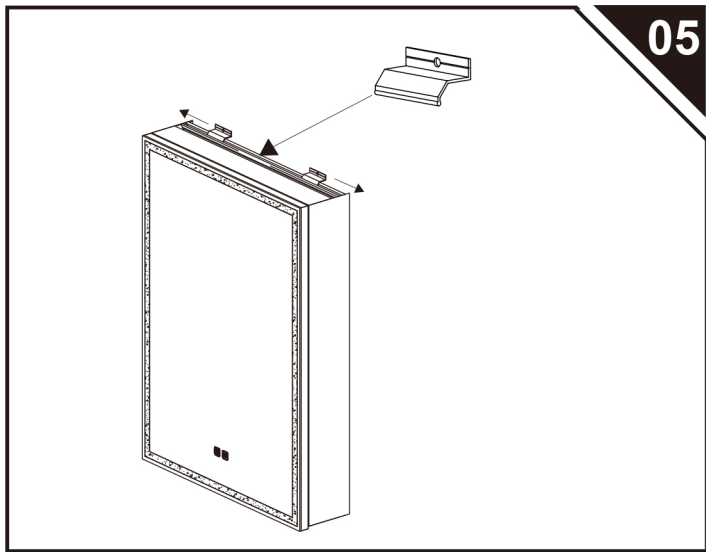
2. Drill the holes and place the suitable plastic anchors.



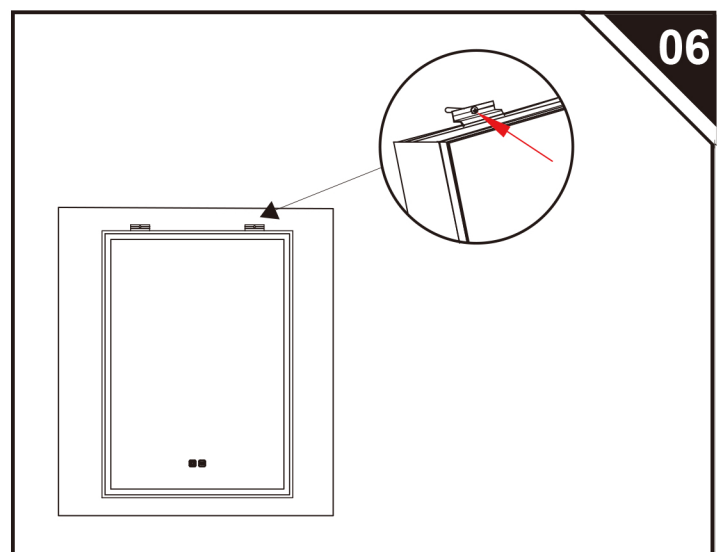
3. Screw the strip bracket to the wall.



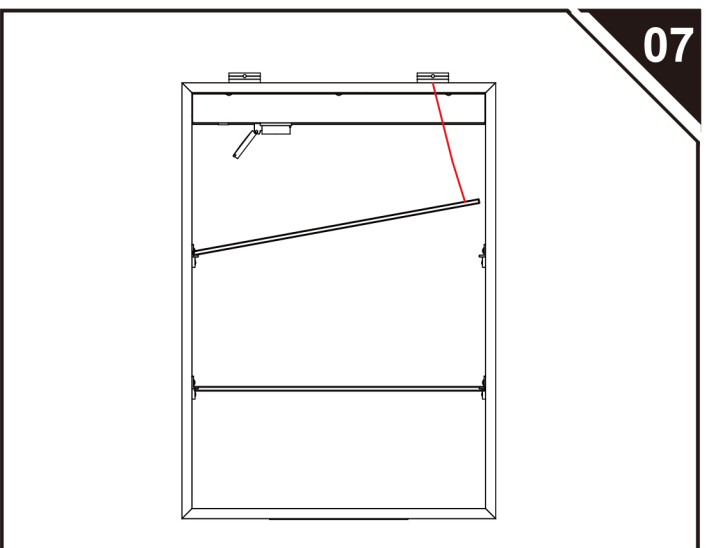
4. The bottom slot of the mirror cabinet is installed on the long bracket.



5. The short bracket is mounted on the cabinet through the center chute.



6. Screw the short bracket to the wall.



7. Install the glass laminate onto the moving bracket.

OPERATION INSTRUCTION



ON/OFF button



- Button lights up when connected to main supply.
 - Touch the button to turn on/off the mirror
 - Hold the button to adjust the brightness.
 - Confirm the setting by removing your finger when it reaches the colour you need.
-



- The defogging function on the mirror will activate simultaneously with the lights and automatically turn off after 30 minutes of operation.
-

AFTERCARE INSTRUCTIONS

Before cleaning, ensure the mirror is turned off.

Clean using a soft and dry cloth. Never use cleaning agents or abrasive materials. Do not allow moisture to come into contact with the lamp.