

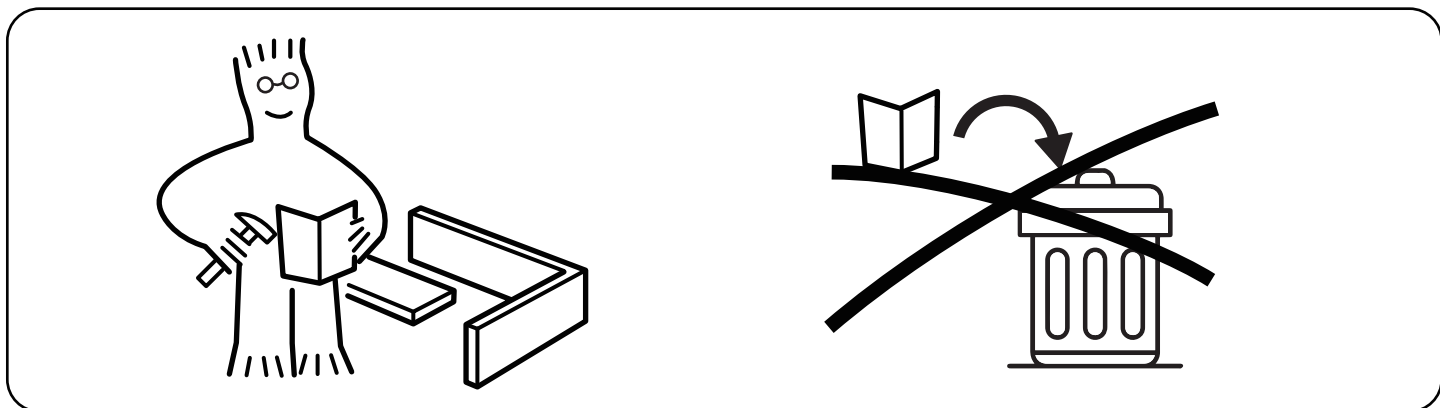
Pure & Easy



ASSEMBLY INSTRUCTIONS

NOTICE

IMPORTANT, RETAIN FOR FUTURE REFERENCE: READ CAREFULLY
WICHTIG, FÜR SPÄTERE NACHSCHLAGE AUFBEWAHREN: SORGFÄLTIG LESEN
IMPORTANTE, GUARDAR PARA REFERENCIA FUTURA: LEER ATENTAMENTE
IMPORTANTE, CONSERVARE PER RIFERIMENTI FUTURI: LEGGERE ATTENTAMENTE
IMPORTANT, À CONSERVER POUR RÉFÉRENCE FUTURE : LIRE ATTENTIVEMENT



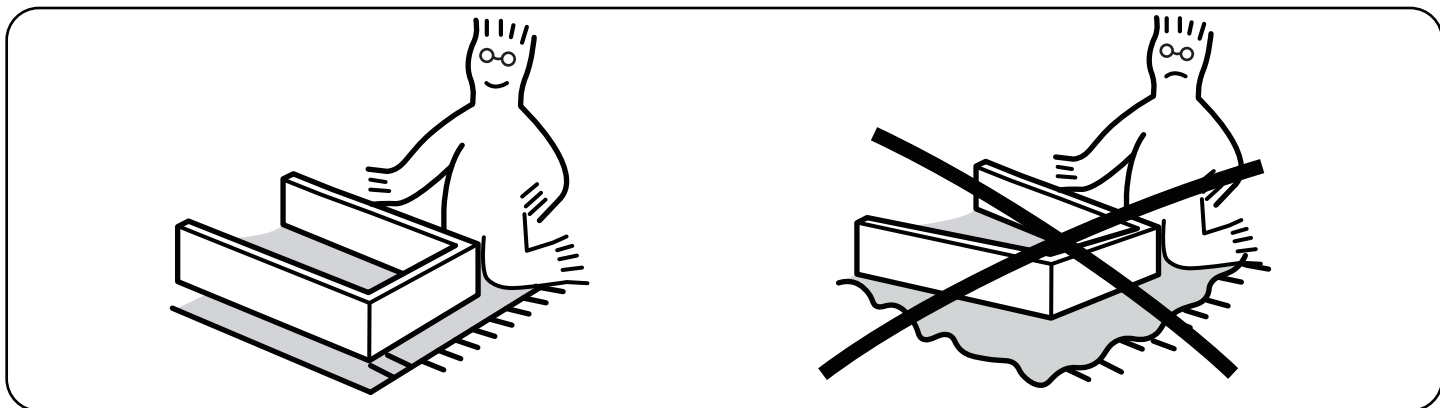
Assemble on a flat and solid surface. To avoid the unstable surface affecting the overall frame stability during installation.

Montieren Sie auf einer ebenen und festen Oberfläche. Um zu verhindern, dass eine unebene Oberfläche während der Montage die Gesamtrahmen-Stabilität beeinträchtigt.

Ensamblar en una superficie plana y sólida. Afin d'éviter que la surface inégale n'affecte la stabilité générale du cadre lors de l'installation.

Assemblare su una superficie piana e solida. Per evitare che una superficie irregolare influisca sulla stabilità complessiva della struttura durante l'installazione.

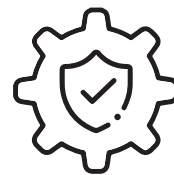
Assembler sur une surface plate et solide. Para evitar que la instalación en una superficie irregular afecte la estabilidad general del marco.



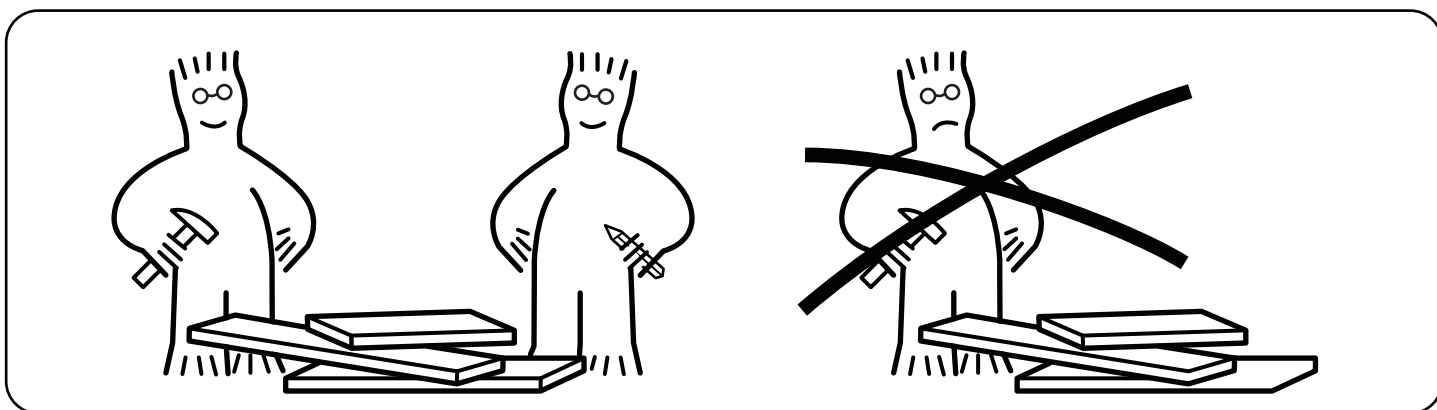
Professional installation is highly recommended.
Eine professionelle Installation wird dringend empfohlen.
Une installation professionnelle est fortement recommandée.
Si raccomanda vivamente l'installazione professionale.
Se recomienda altamente la instalación profesional.



Periodically Check That All Components Are Tightly Secured.
Überprüfen Sie Regelmäßig, Dass Alle Komponenten Fest Gesichert Sind.
Vérifiez Périodiquement Que Tous Les Composants Sont Bien Fixés.
Controllare Periodicamente Che Tutti I Componenti Siano Ben Fissati.
Verifique Periódicamente Que Todos Los Componentes Estén Bien Asegurados.



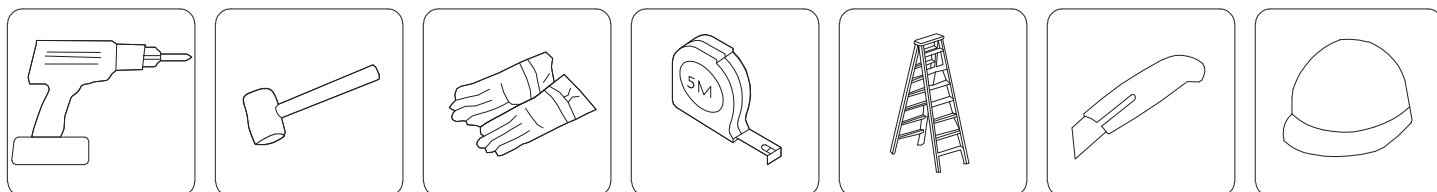
It is recommended that multiple people assemble this product.
Es wird empfohlen, dass mehrere Personen dieses Produkt zusammenbauen.
Il est recommandé que plusieurs personnes assemblent ce produit.
Si raccomanda che più persone assemblino questo prodotto.
Se recomienda que varias personas ensamblen este producto.



Please contact us if parts of your furniture are missing.
Bitte kontaktieren Sie uns, wenn Teile Ihrer Möbel fehlen.
Por favor contáctenos si faltan piezas de sus muebles.
Si prega di contattarci se mancano parti dei vostri mobili.
Veuillez nous contacter si des pièces de vos meubles manquent.



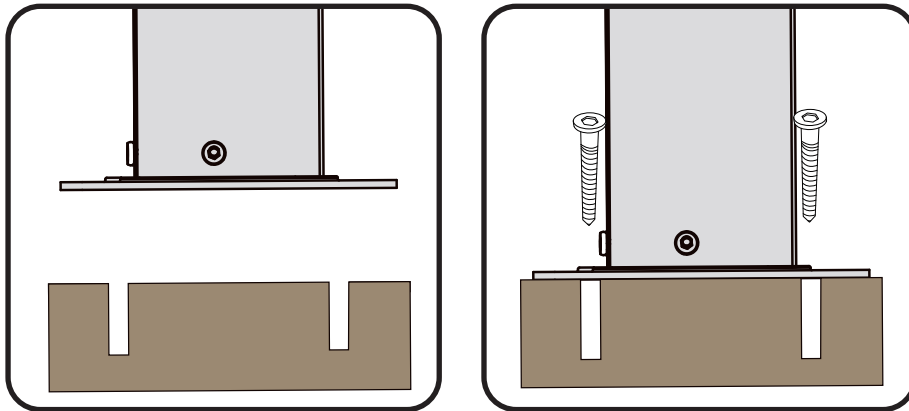
Please have the following auxiliary tools ready:



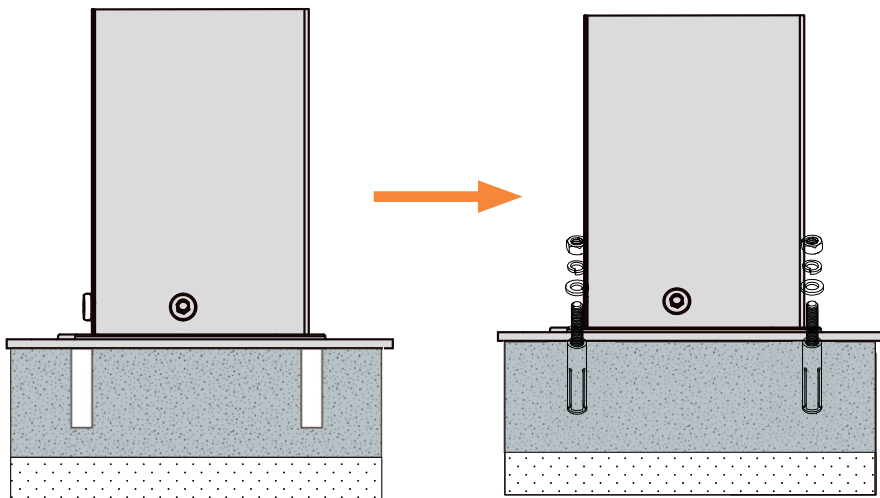


The following installation methods will provide better wind resistance performance, extend the product's lifespan, and help you maximize its value, delivering an even better user experience.

1




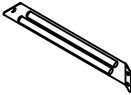
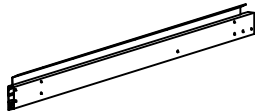
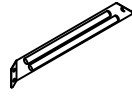
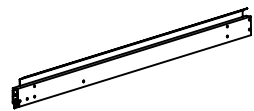


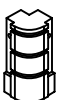


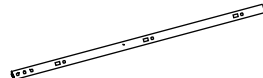


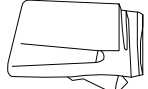

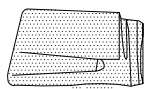

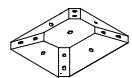

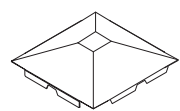

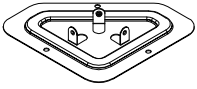

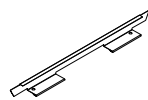

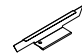
If the deck you are installing is made of hardwood and has a depth exceeding 40mm, you can use ST8*35mm screws to secure it in place. (This hardware is not included with the product, so you will need to purchase it separately.)

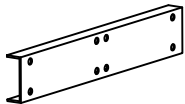

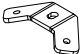

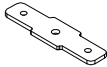



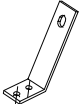




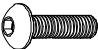

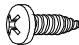





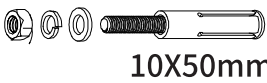

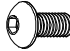






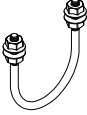

2

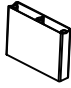


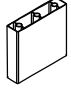
The best option is to fix it on a concrete surface. You can use the expansion bolts that are pre-configured with the product to secure it in place.

PARTS

Item no.	Reference Image	Qty.	Item no.	Reference Image	Qty.
A		X4	H		X4
B		X4	H1		X4
B1		X4	H2		X4
Ea		X4	K		X4
Eb		X4	N		X12
E1		X4	N1		X4
E2		X4	T		X4
F1		X4	T1		X4
F2		X4	L		X1
G1		X4	M		X1
G3		X4	J		X4
G5		X4	Z		X56
G6		X4	Z1		X24

Item no.	Reference Image	Qty.	Item no.	Reference Image	Qty.
P		X4	Q2		X4
W		X4	Q3		X4
W1		X4	Q4		X4
W2		X4	Q5		X4
W3		X4	Q6		X4
U		X96	1	 M6X16mm	X132
Y		X92	3	 M6X25mm	X93
Y1		X12	4	 ST4.8X12mm	X8
V1		X2	5	 M6X10mm	X8
V2		X2	8	 M6X15mm	X16
S		X4	9	 10X50mm	X12
Sa		X4	10	 M5X12mm	X32
Q1		X4	12	 S4	X1

Item no.	Reference Image	Qty.
13		X1
14		X12
15		X1
16		X24

Item no.	Reference Image	Qty.
17		X4
18		X4
19		X4
D		X4

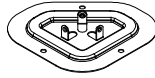
ASSEMBLY

1

X4



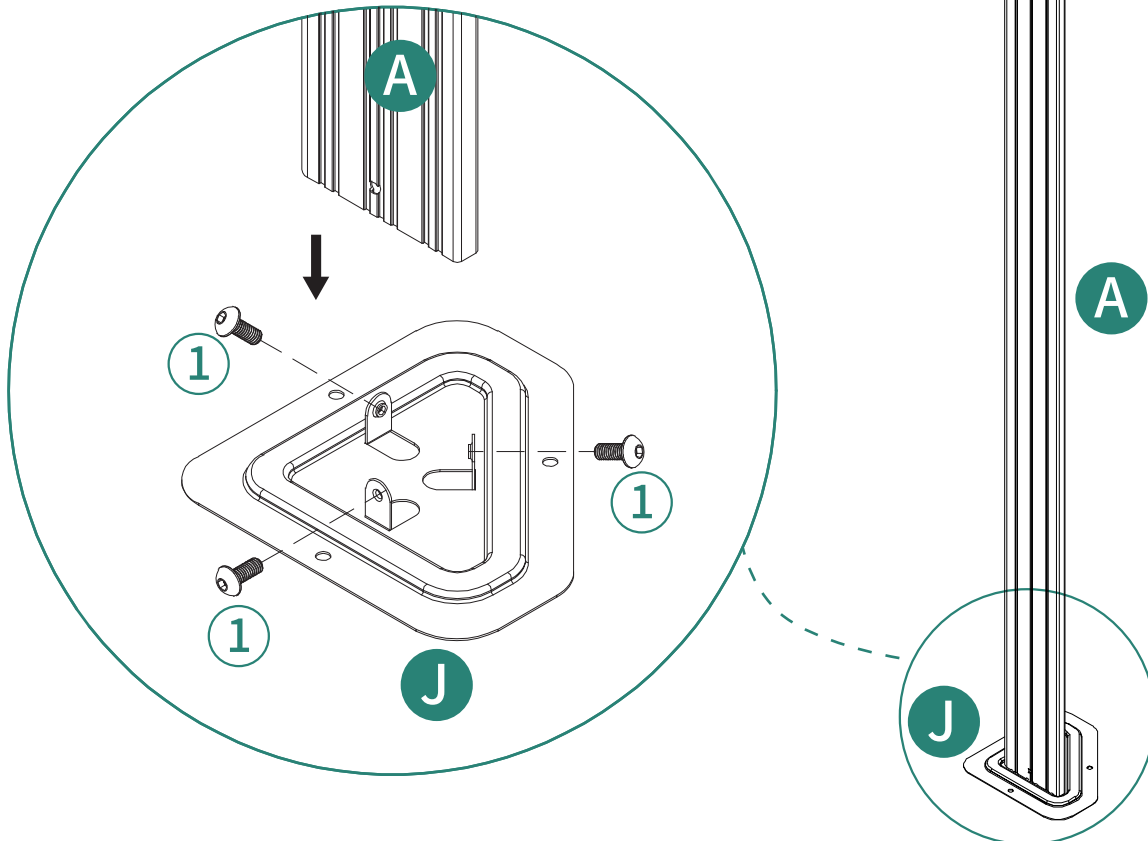
Ⓐ 4pcs



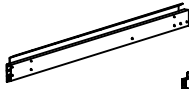


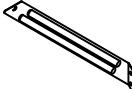
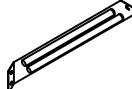



Ⓙ 4pcs

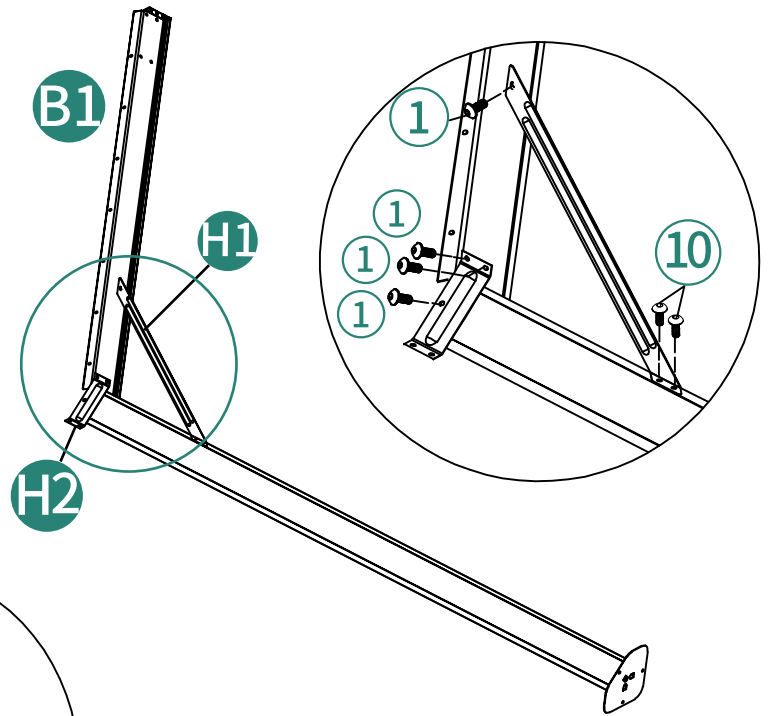
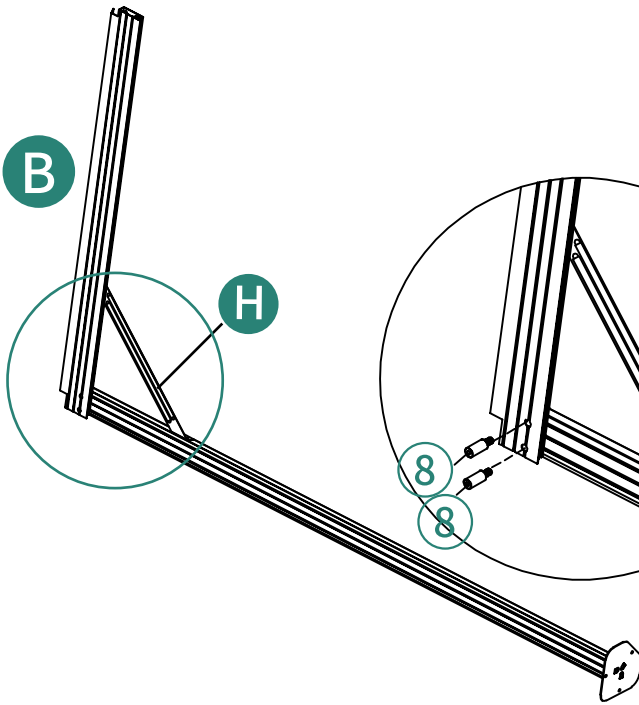


① 12pcs

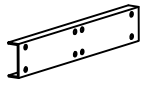


2

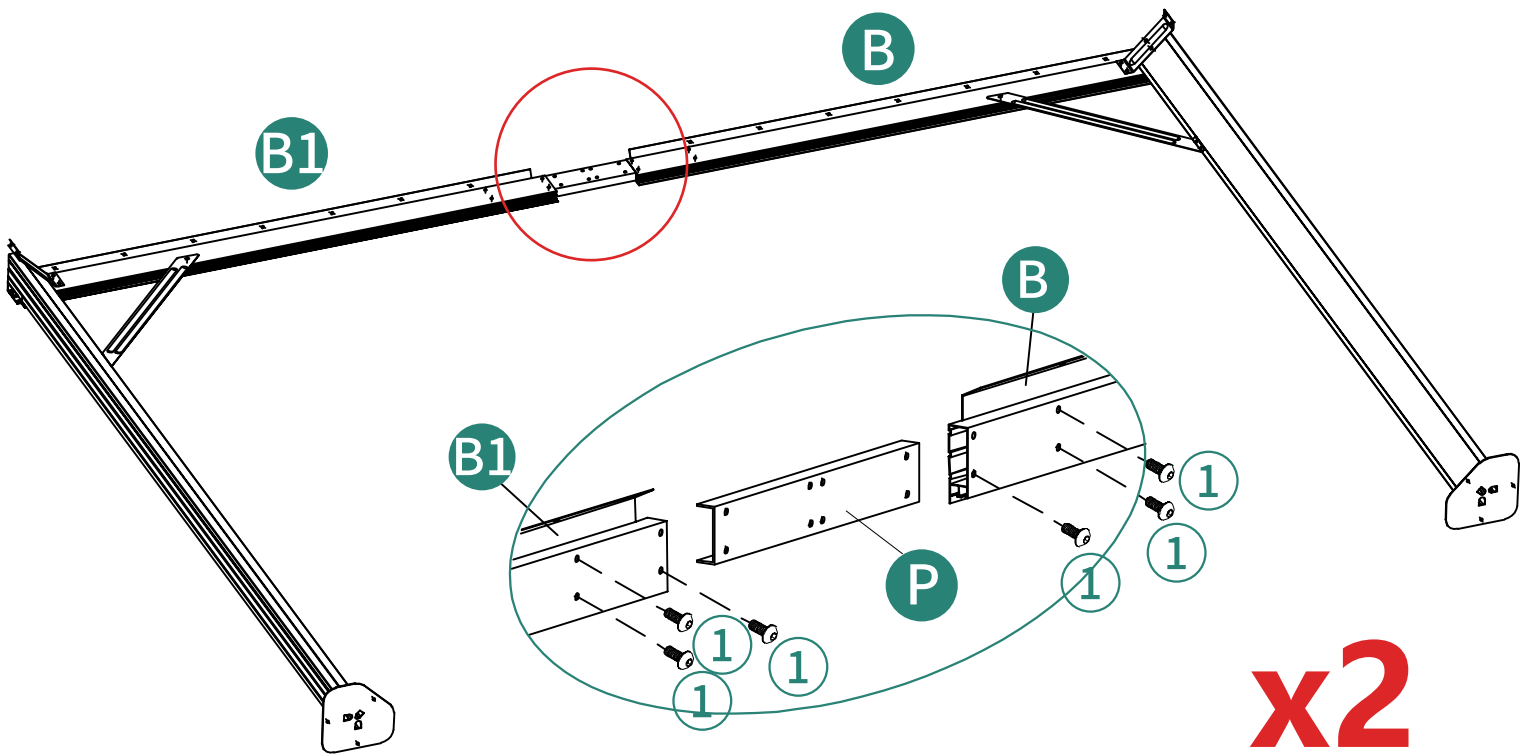
- | | | | | |
|---|---|---|---|---|
|  |  |  |  |  |
| ⓑ 2pcs | ⓑ1 2pcs | ⓗ2 4pcs | ⓗ 2pcs | ⓗ1 2pcs |
|  |  |  | | |
| ① 16pcs | ⑧ 8pcs | ⑩ 8pcs | | |



3


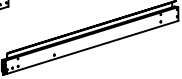
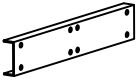



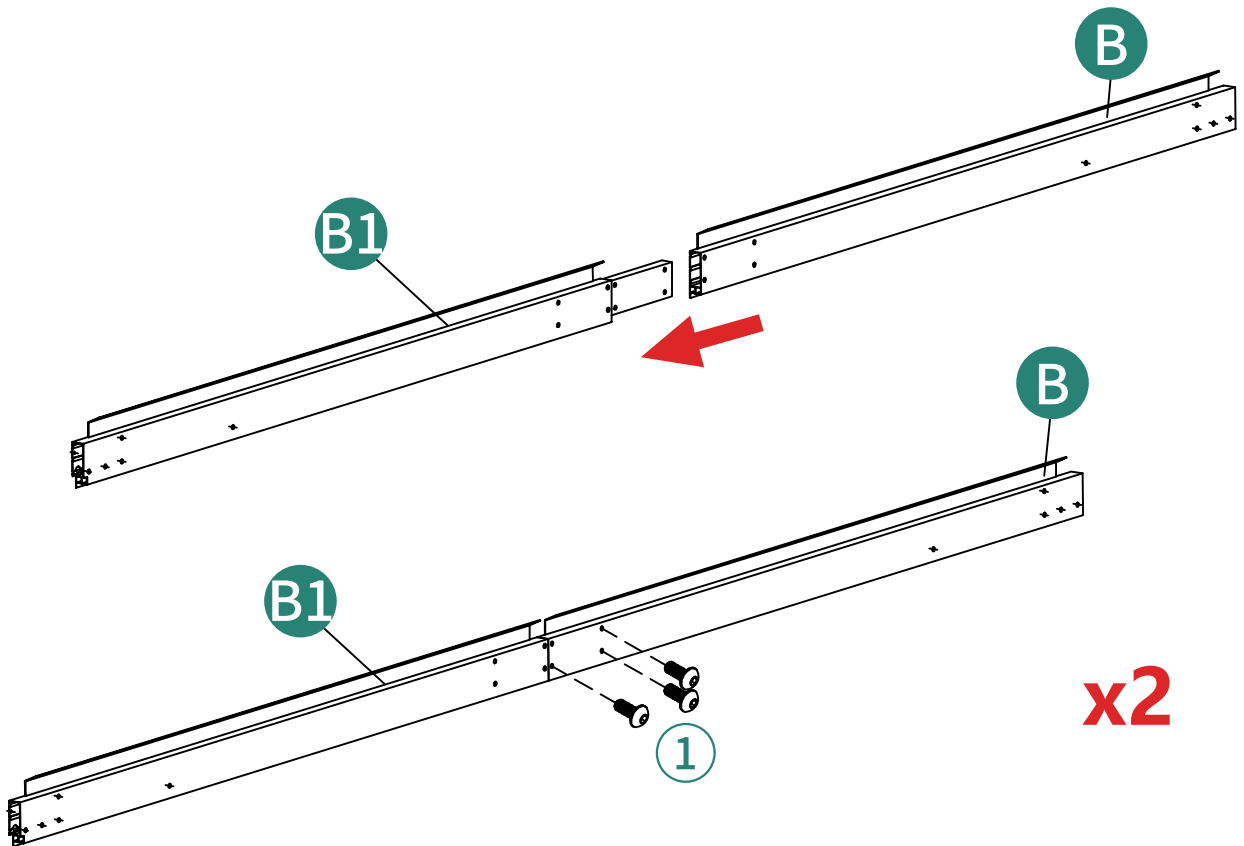
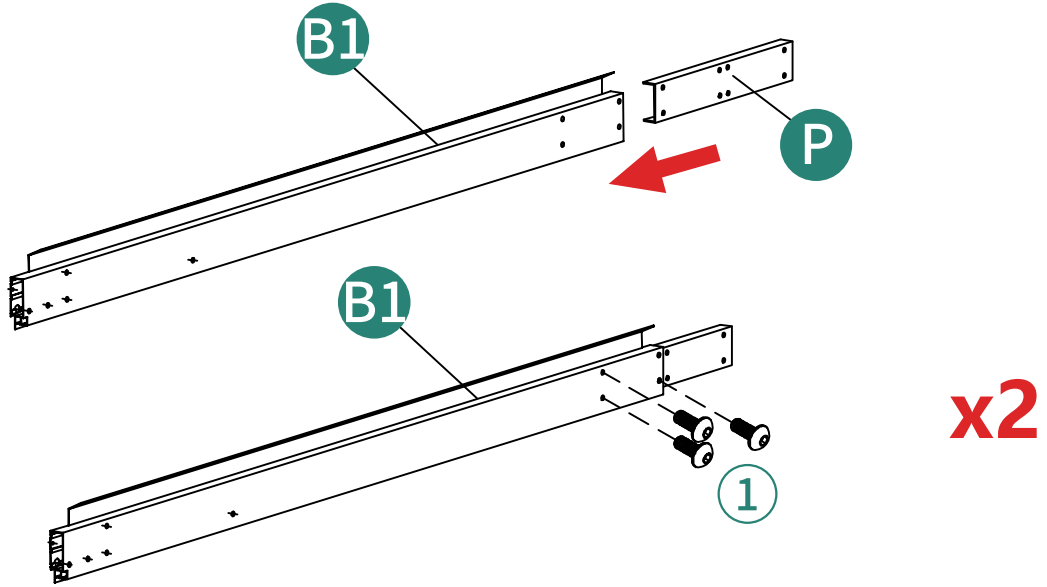
Ⓟ 2pcs Ⓜ 12pcs



x2

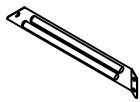
4

-  (B) 2pcs
-  (B1) 2pcs
-  (P) 2pcs
-  (1) 12pcs

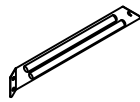


5

X4



Ⓜ 2pcs



Ⓜ1 2pcs



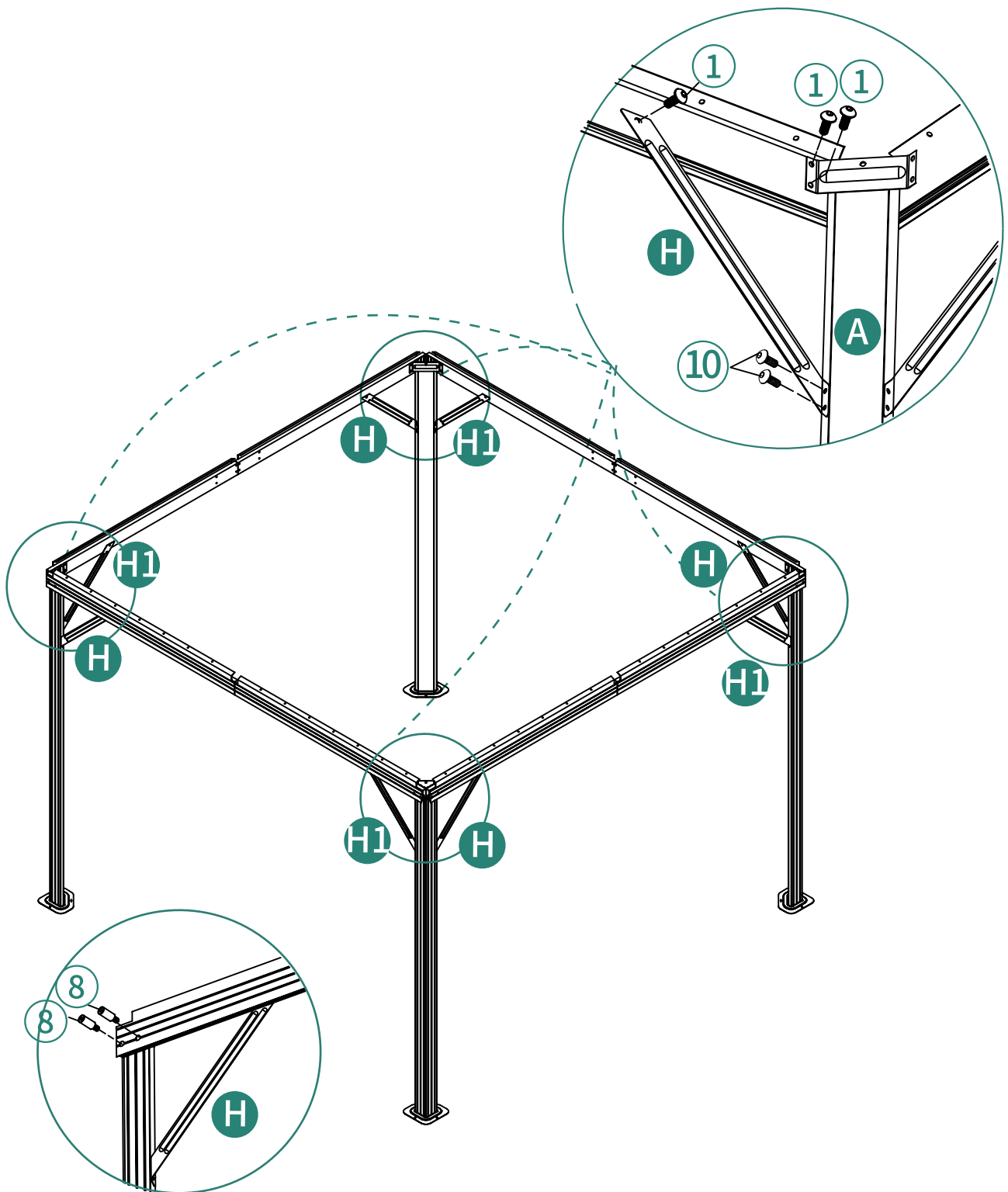
① 12pcs



⑧ 8pcs



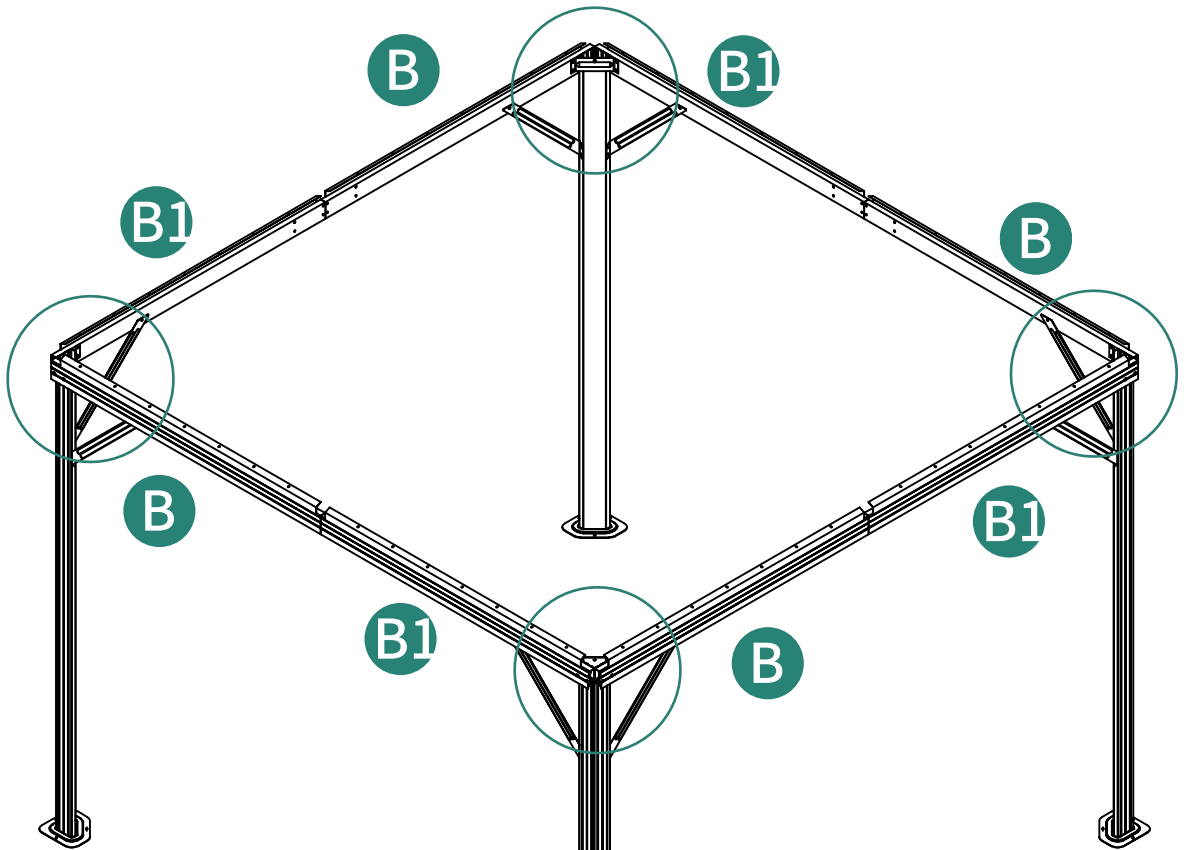
⑩ 8pcs



6



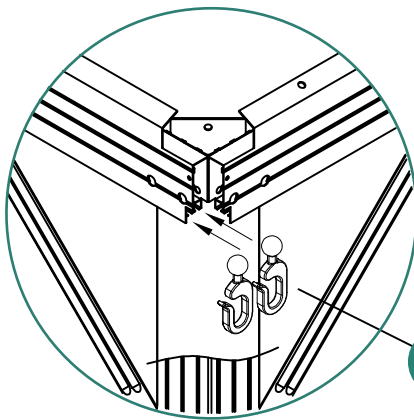
U 96pcs



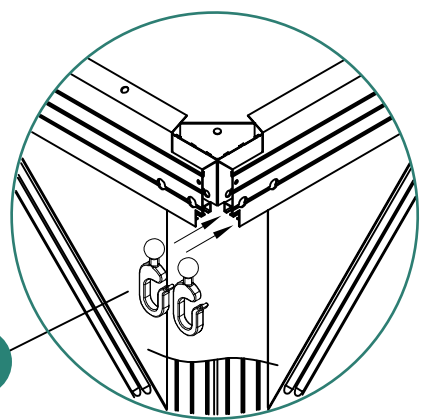
B

B1

x6x6




U

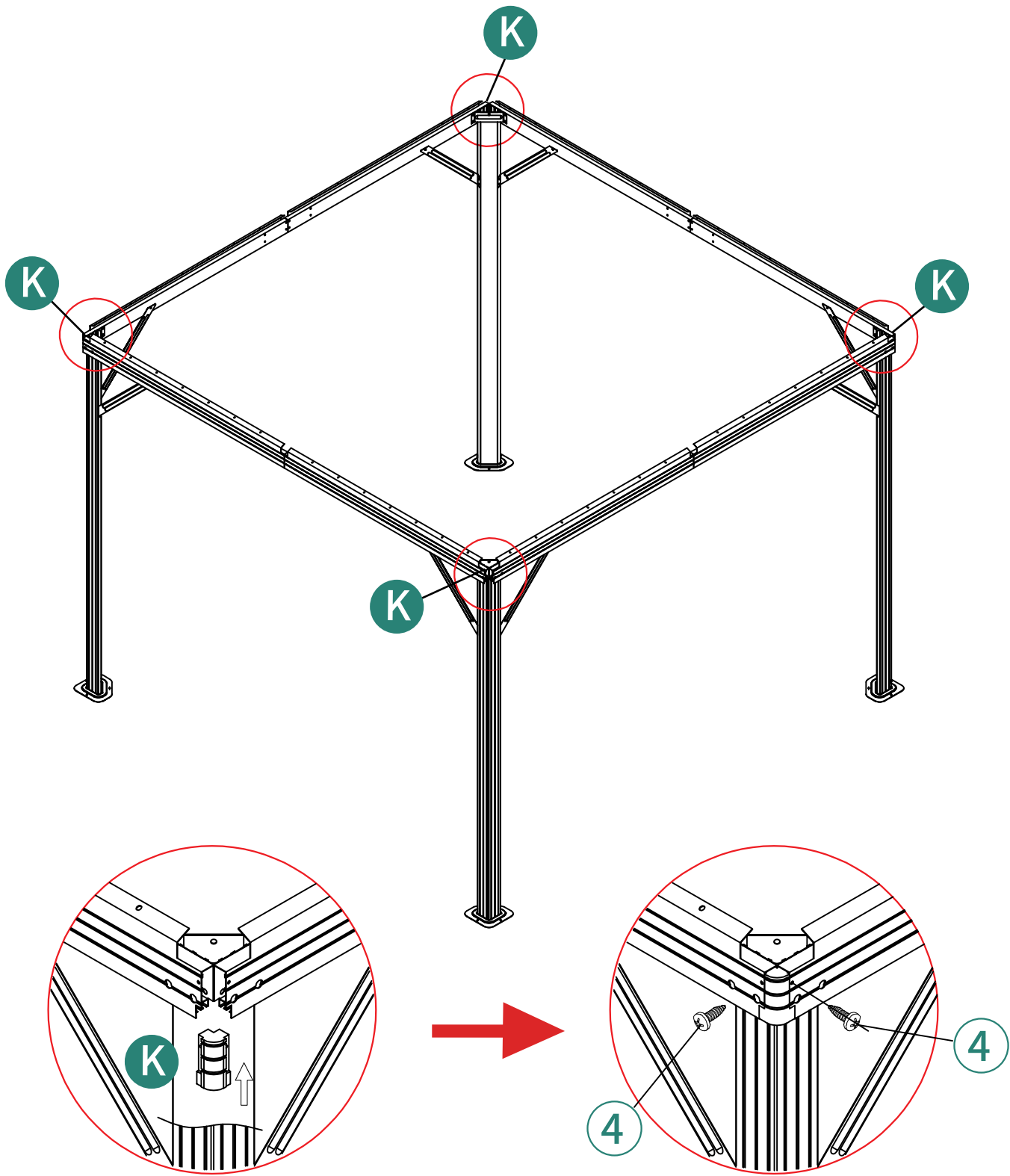


U

7

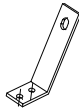


Ⓚ 4pcs ④ 8pcs

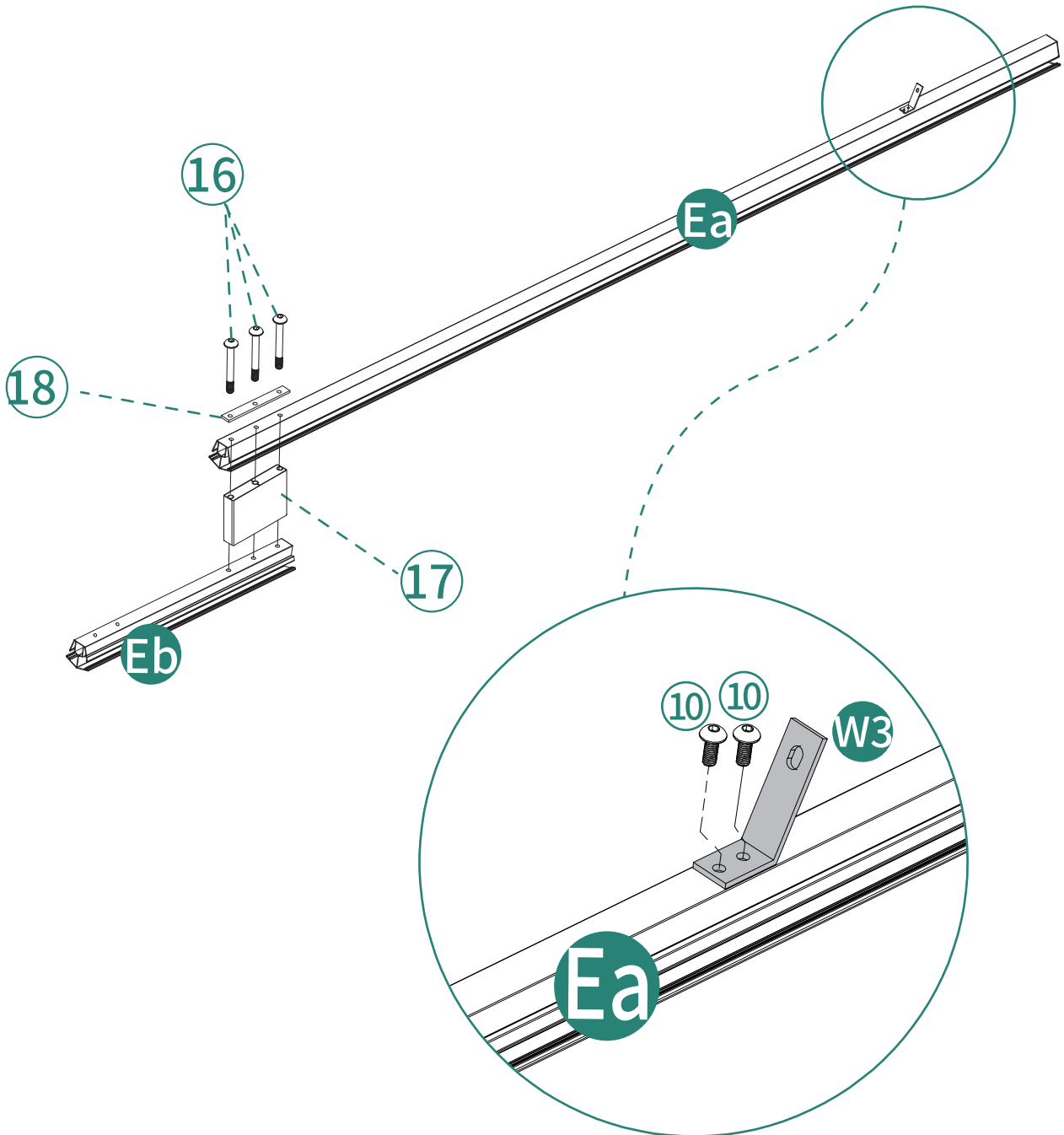


8

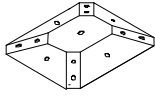
X4



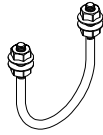
Ⓔa 4pcs Ⓔb 4pcs Ⓜ3 4pcs Ⓣ10 8pcs Ⓣ16 12pcs Ⓣ17 4pcs Ⓣ18 4pcs



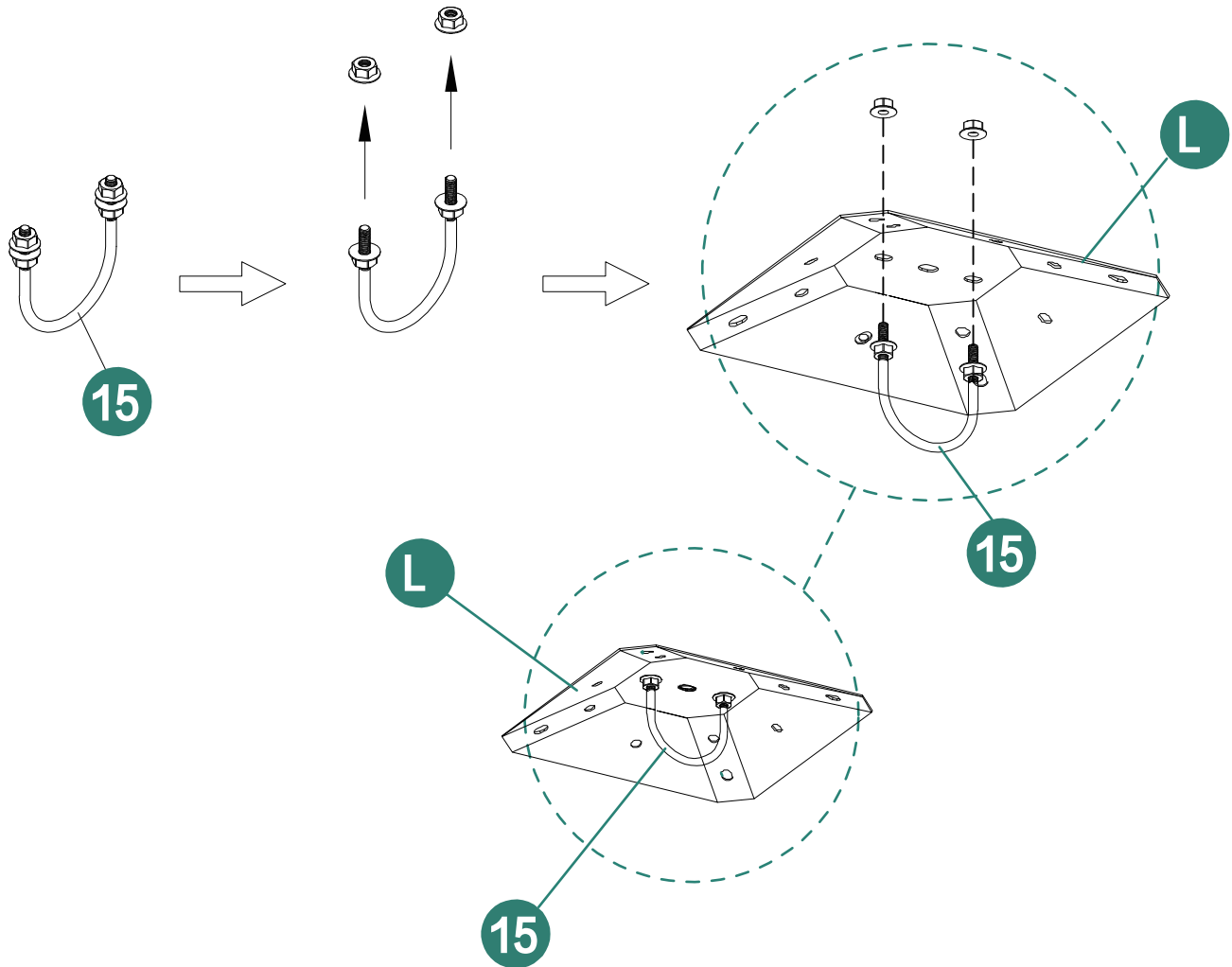
9



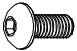
(L) 1pc



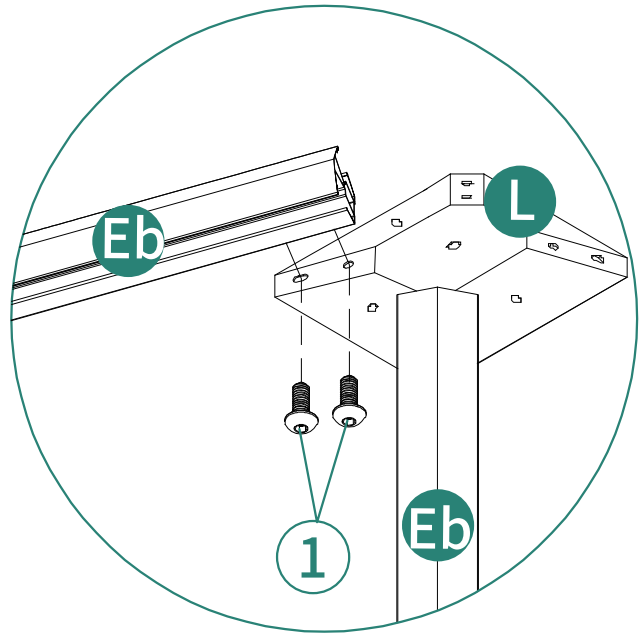
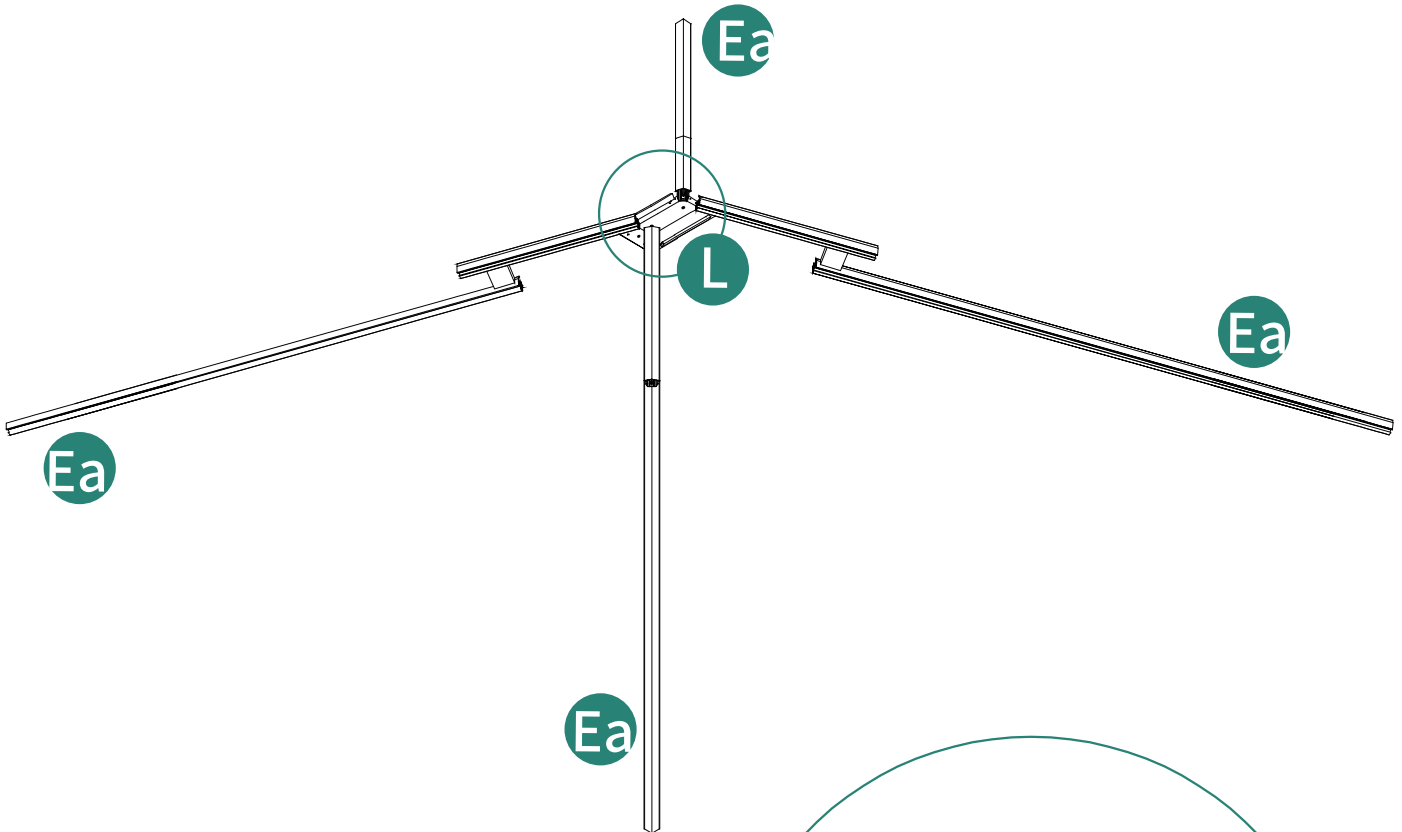
(15) 1pc



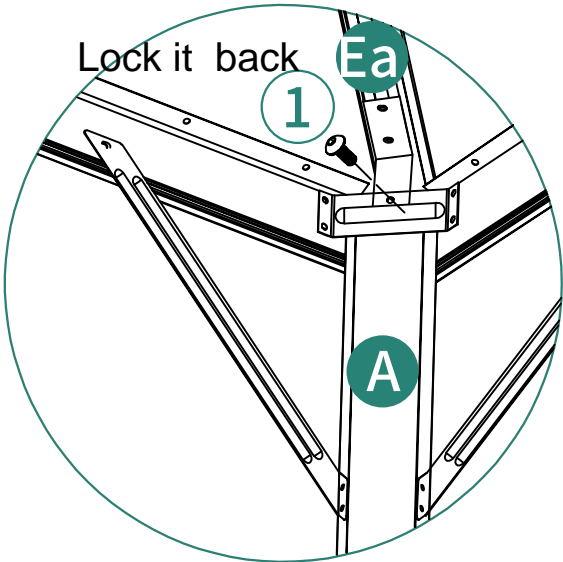
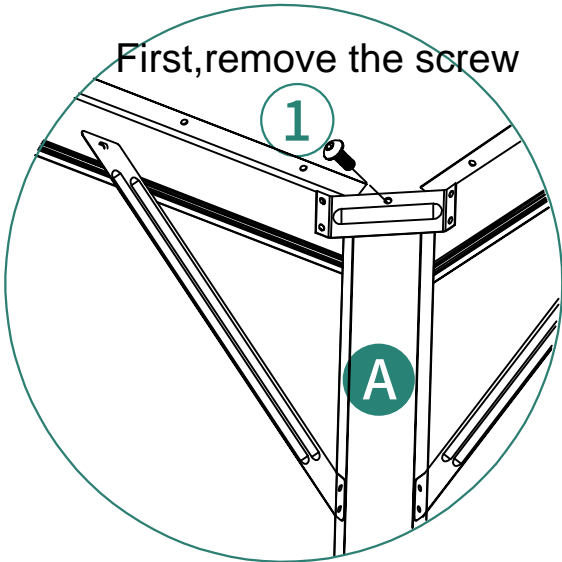
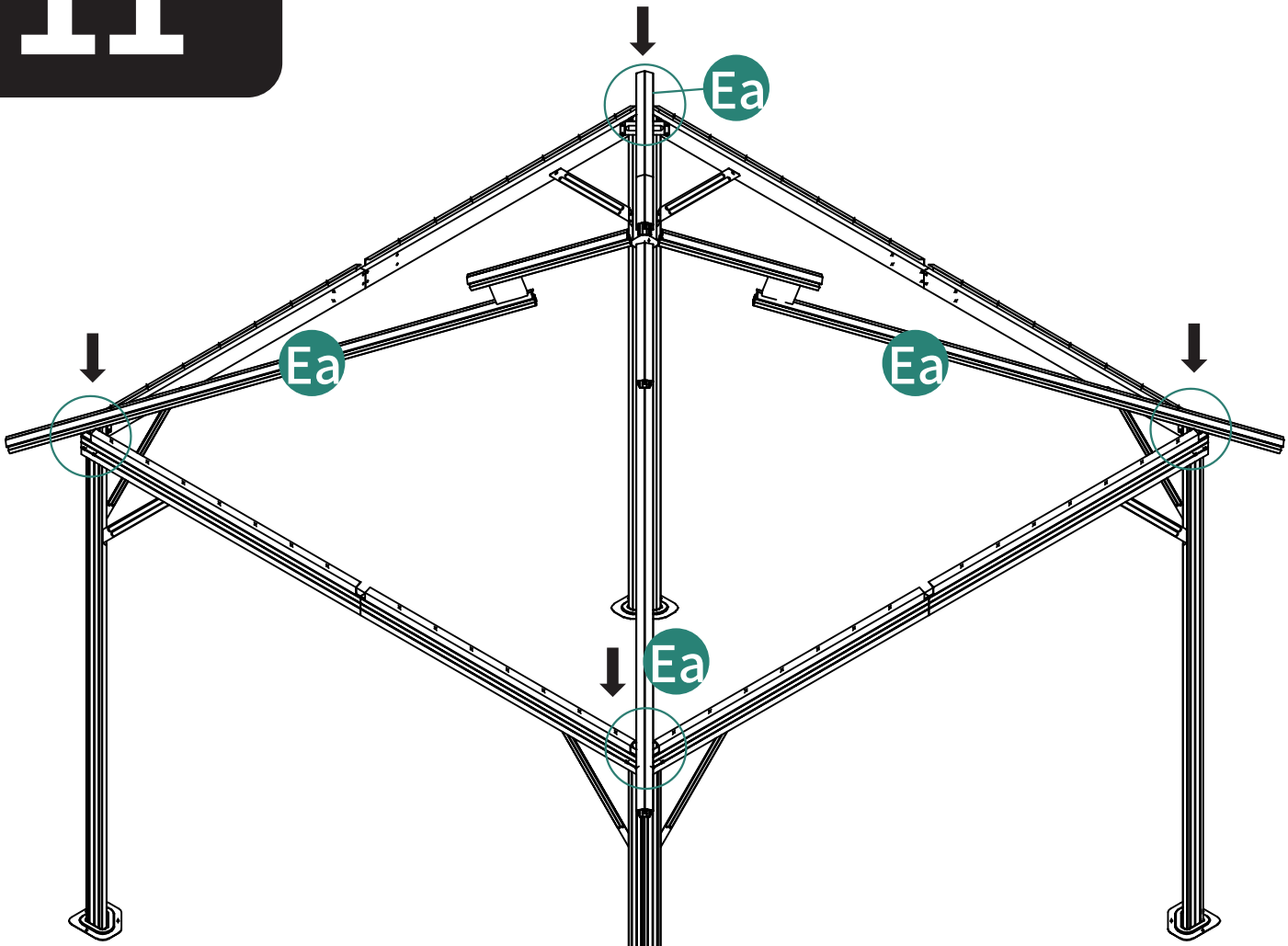
10



① 8pcs

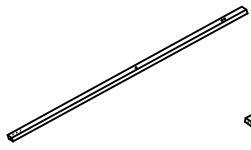


11



12

X4



ⓔ1 4pcs



ⓔ2 4pcs



Ⓦ2 4pcs



⑩ 8pcs



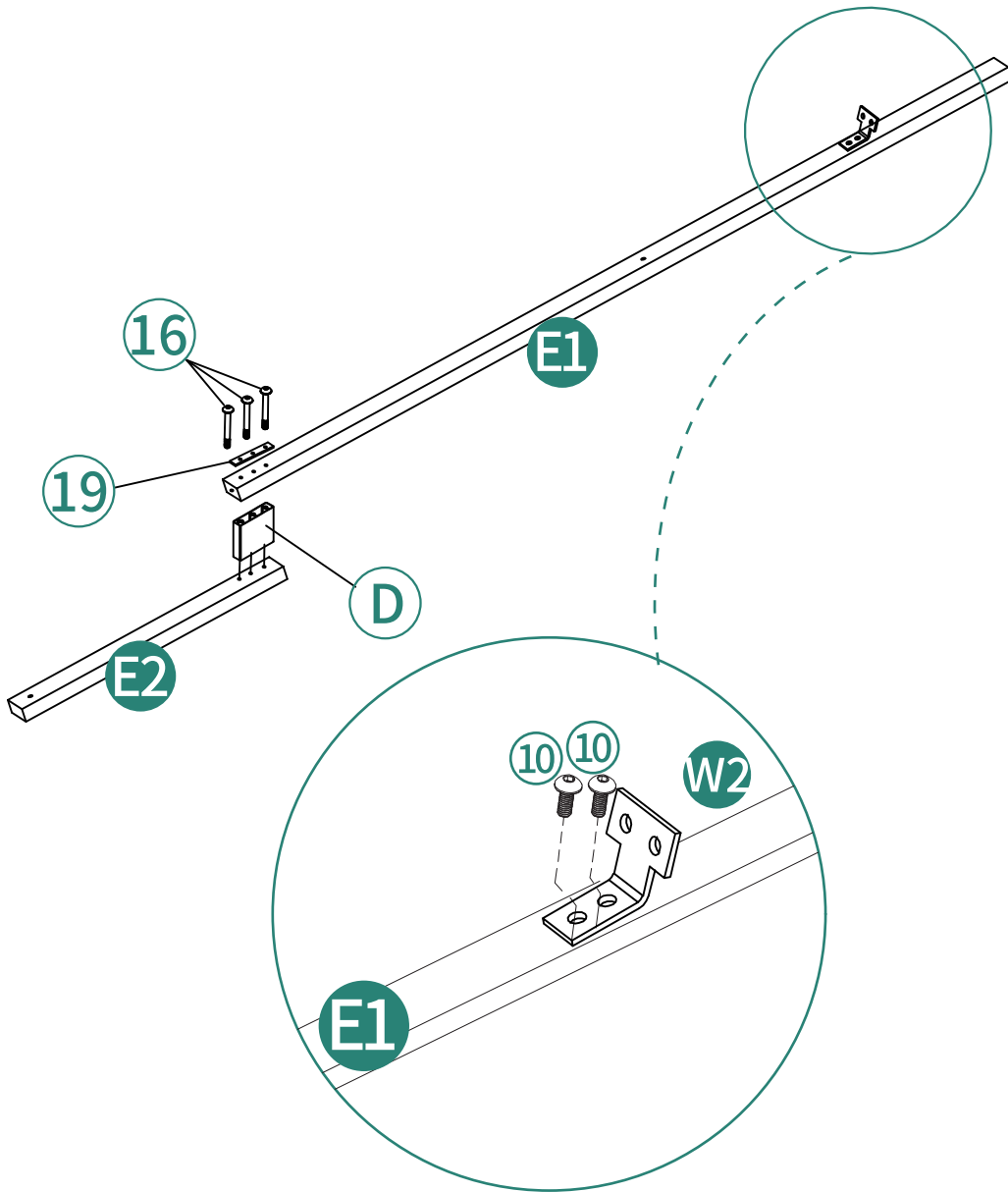
⑯ 12pcs



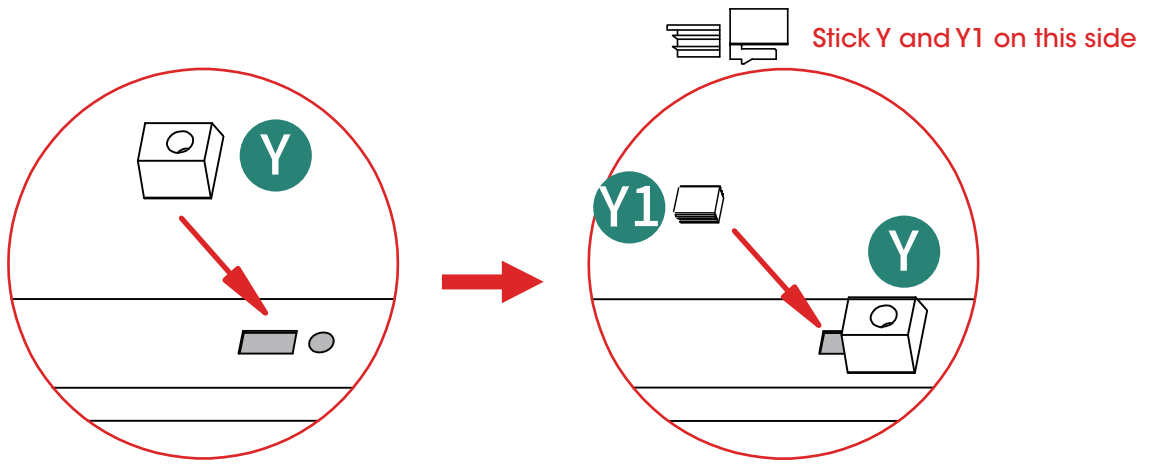
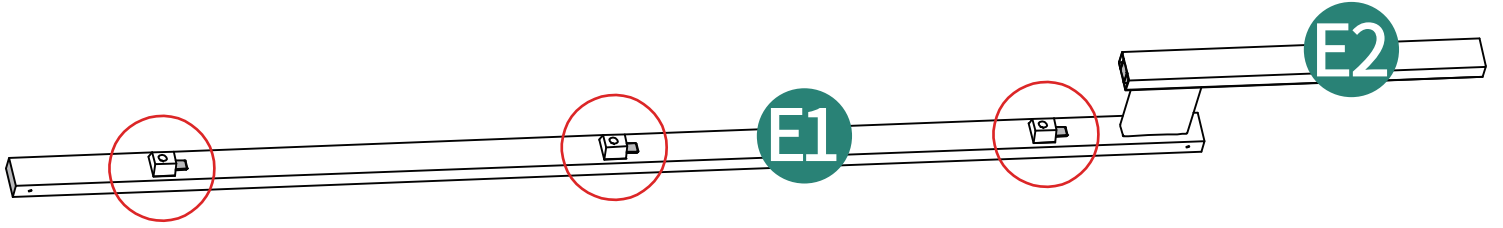
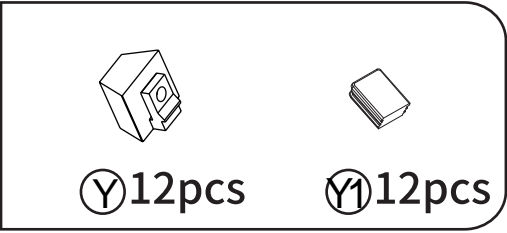
ⓓ 4pcs




⑲ 4pcs



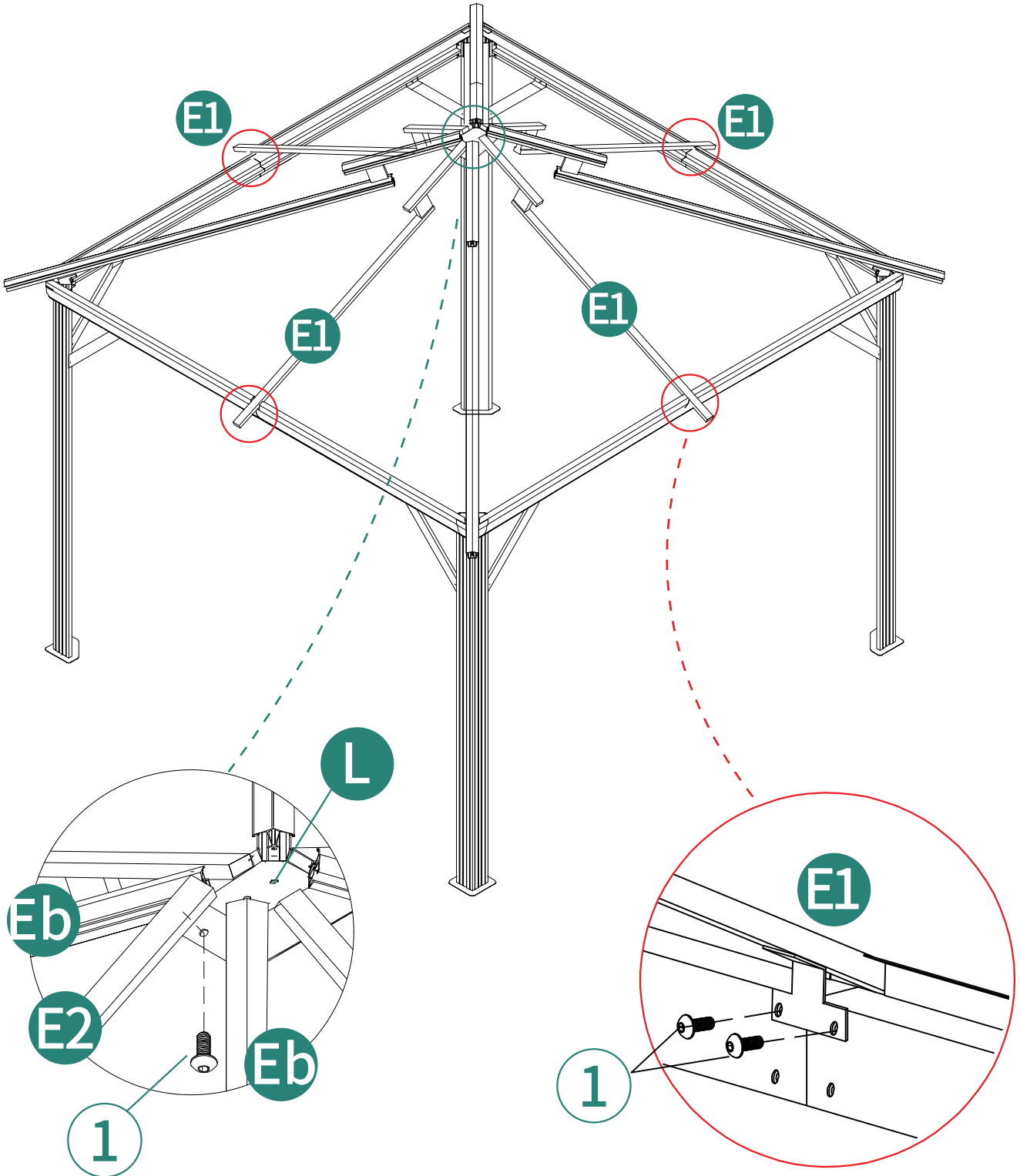
13
X4



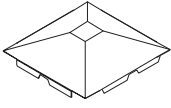
14



① 12pcs



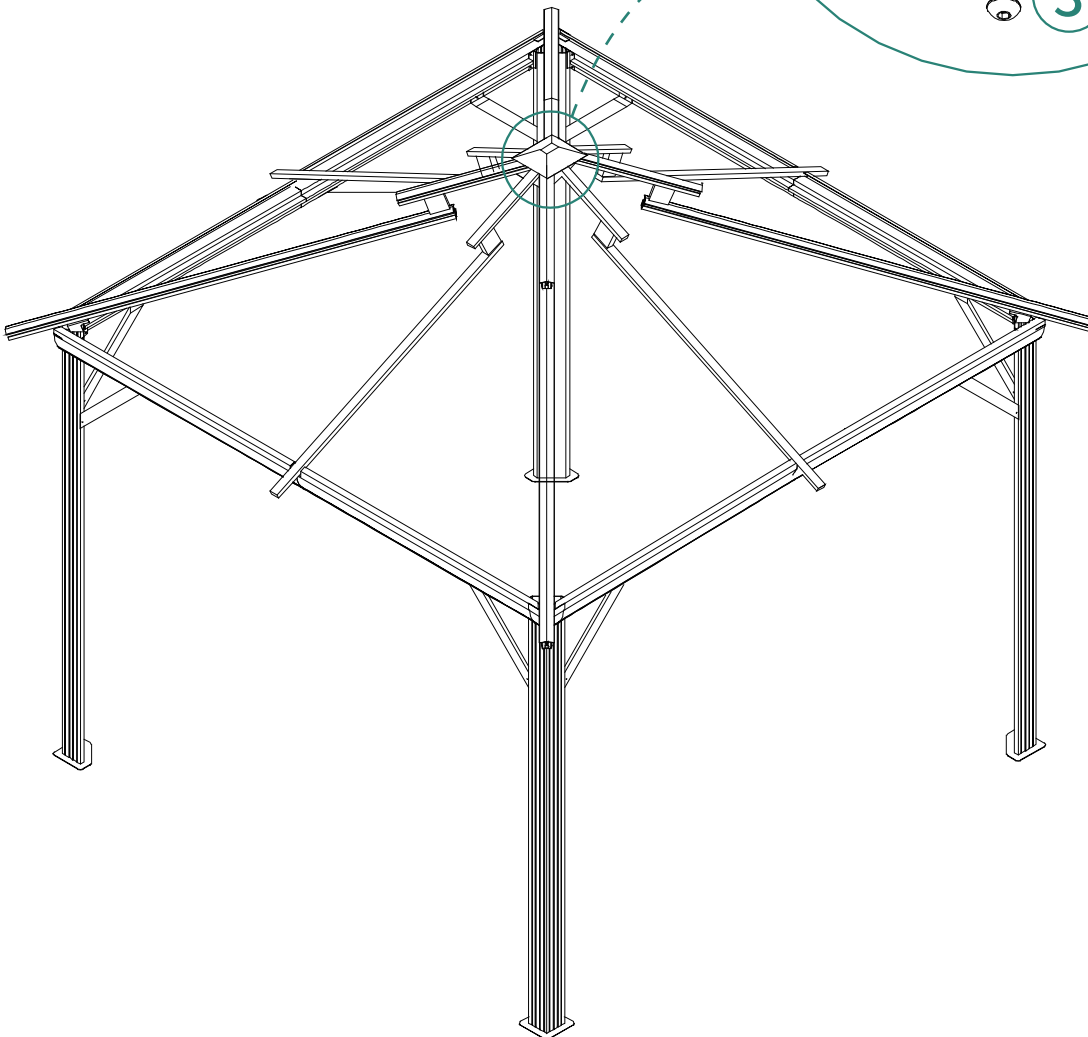
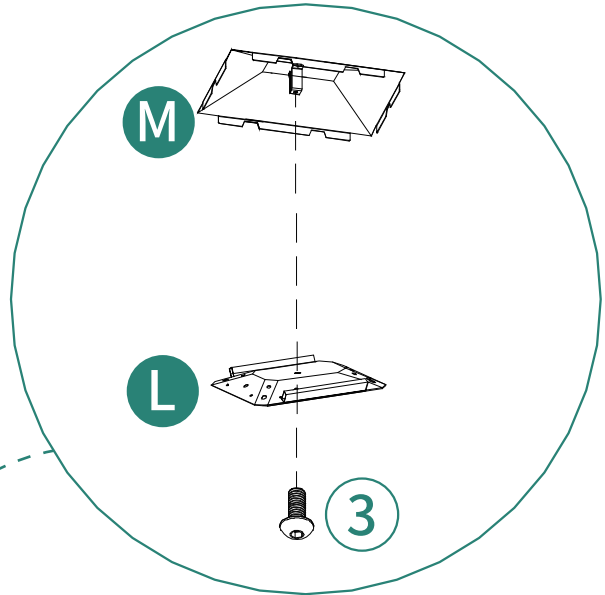
15



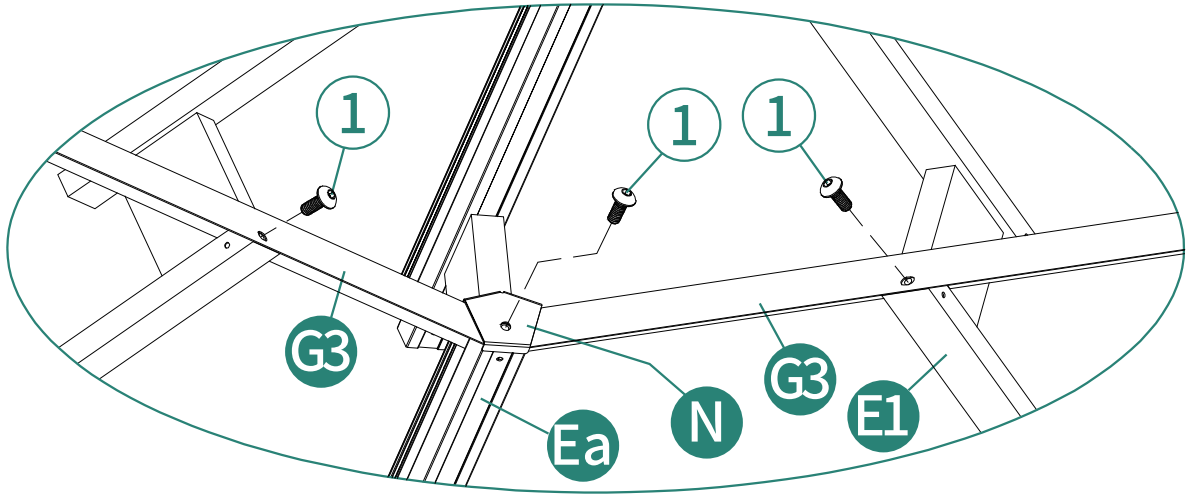
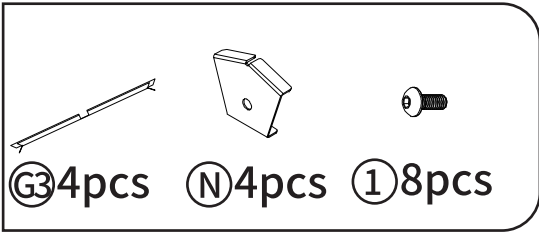
Ⓜ1pc



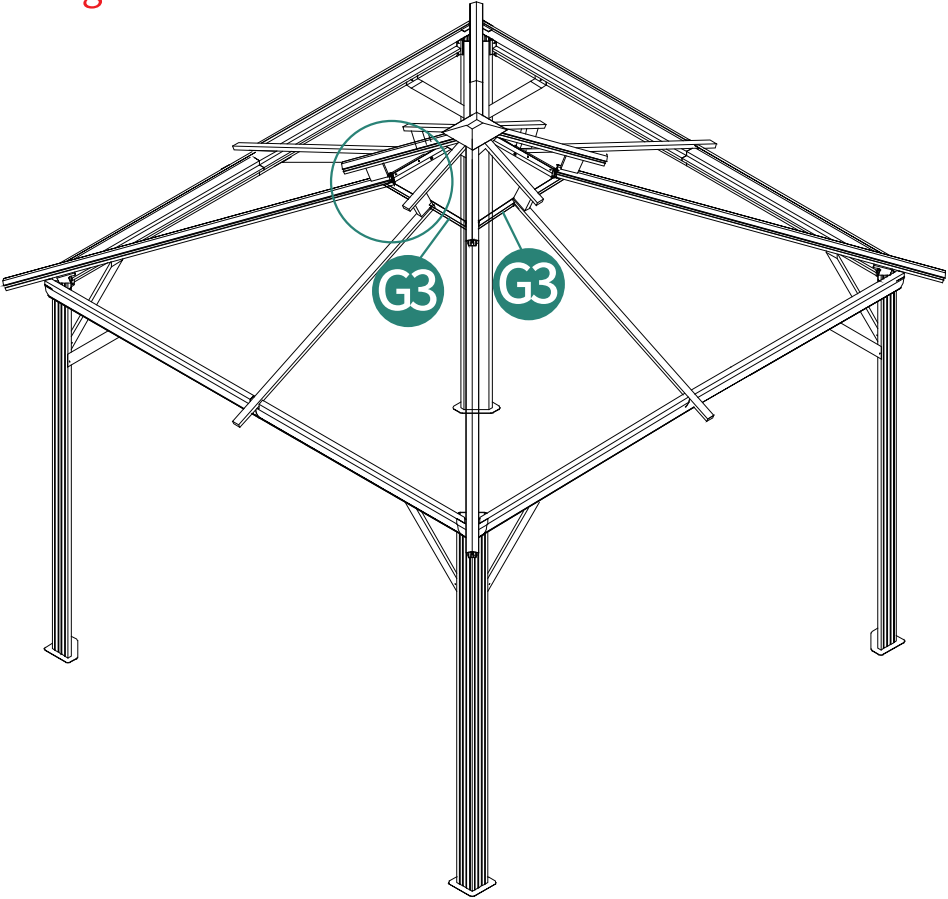
③1pc



16



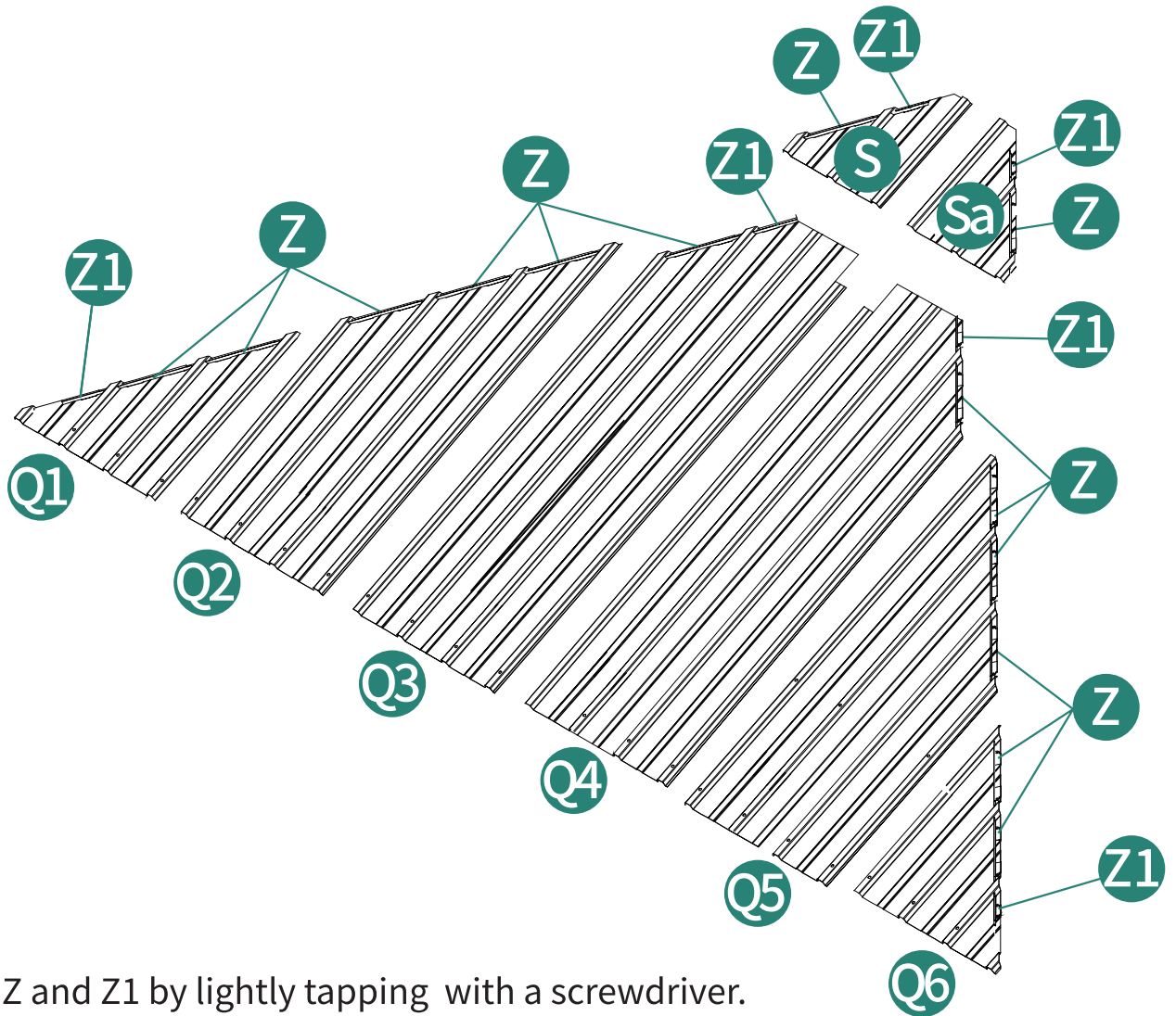
Do not tighten the screw 1 before completing step 22.
It's view from the bottom inside gazebo.



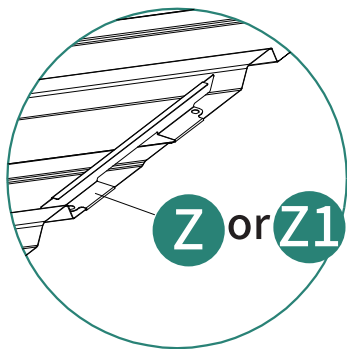
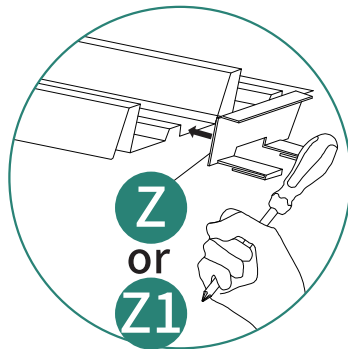
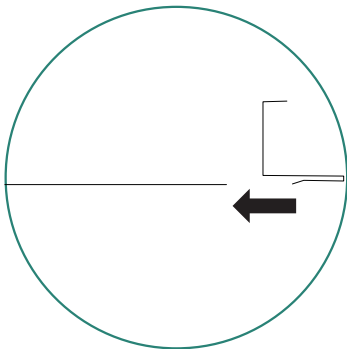
17

X4

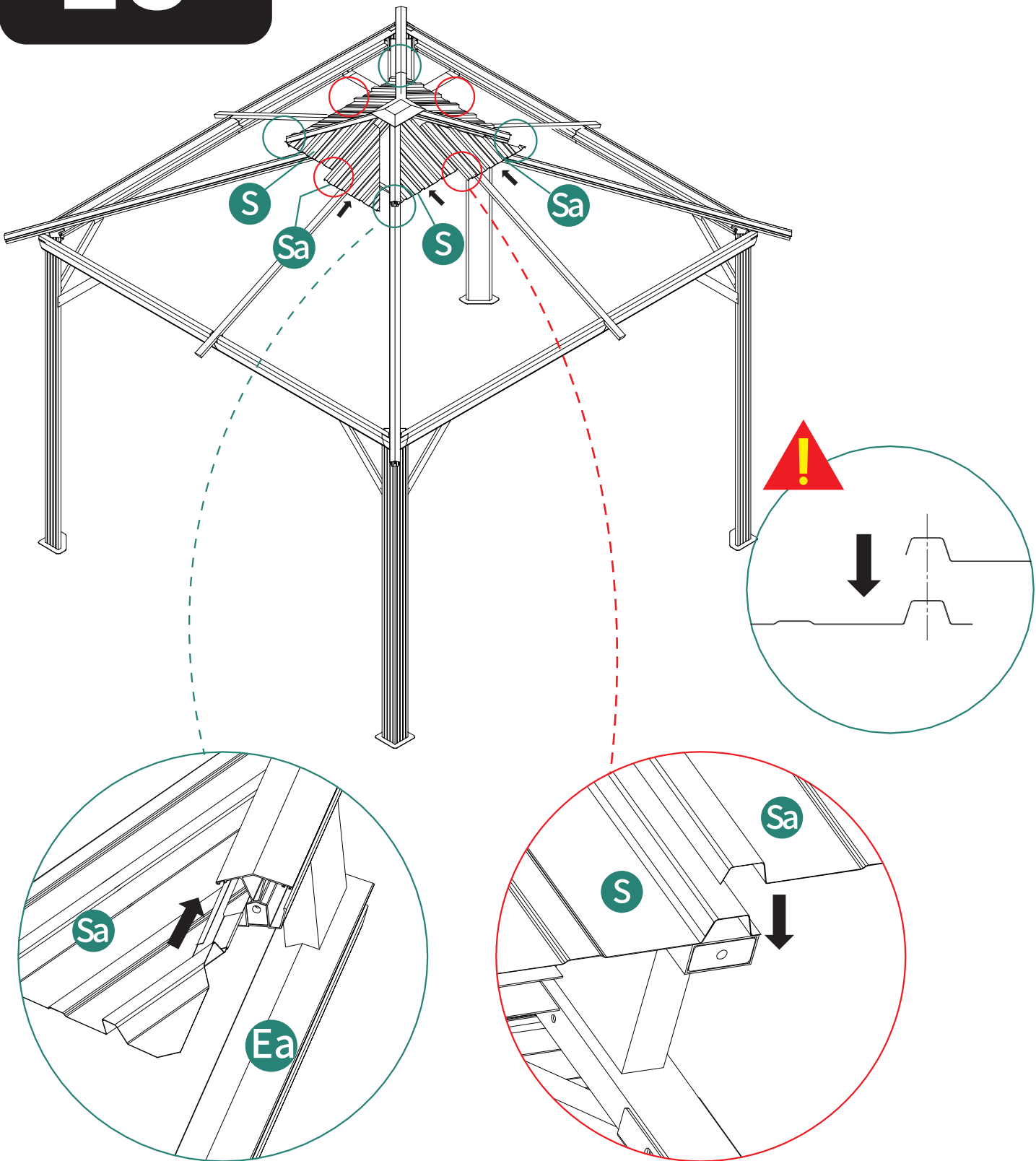
Q1 4pcs Q2 4pcs Q3 4pcs Q4 4pcs Q5 4pcs Q6 4pcs
S 4pcs Sa 4pcs Z 56pcs Z1 24pcs



Attach Z and Z1 by lightly tapping with a screwdriver.



18



19



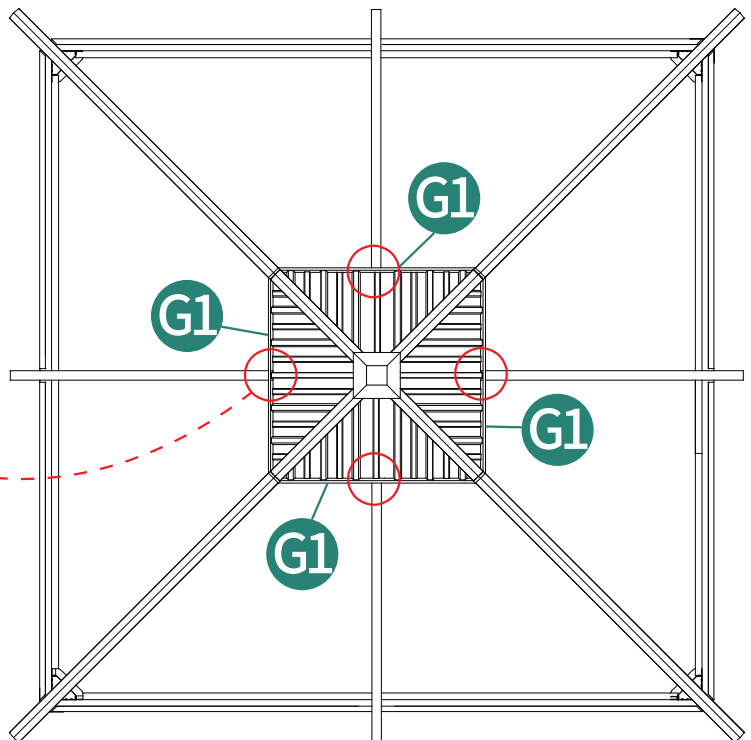
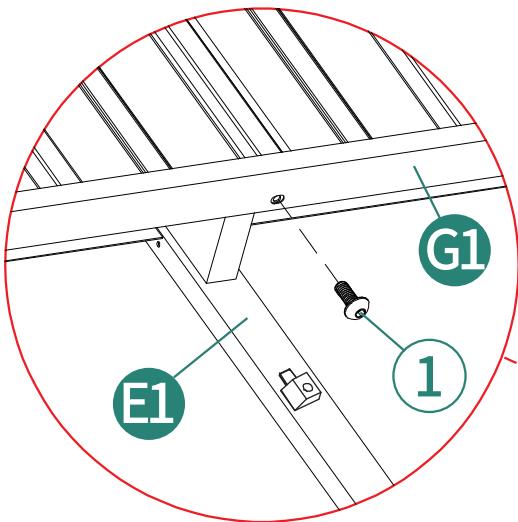
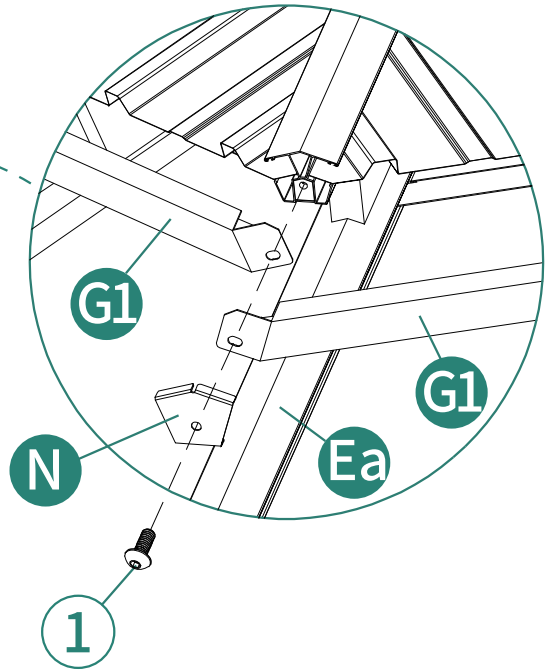
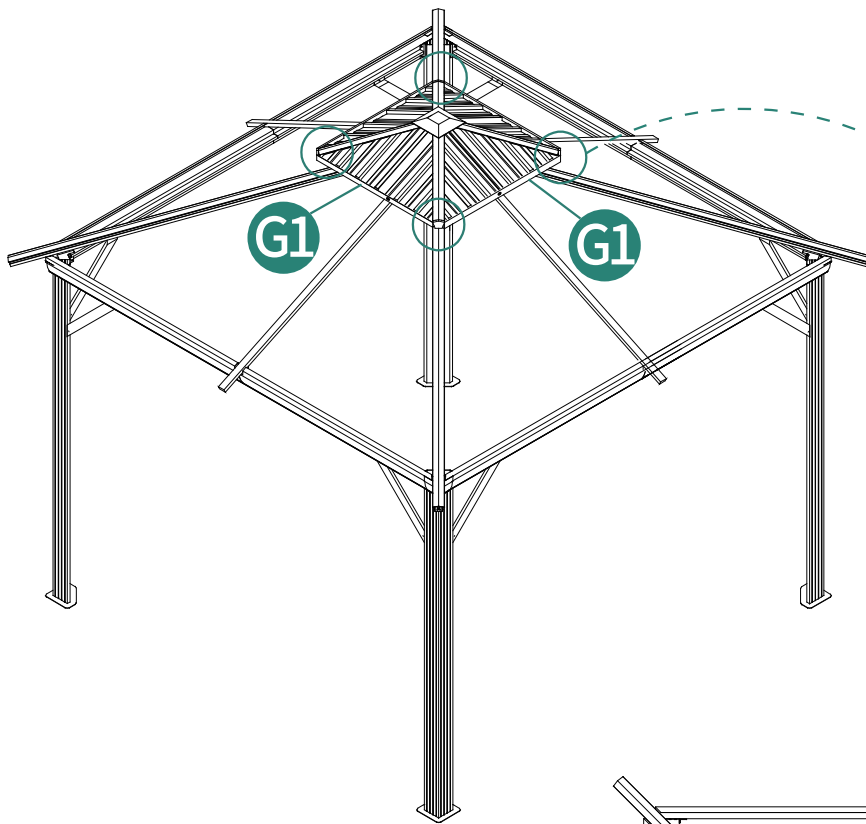
G14pcs



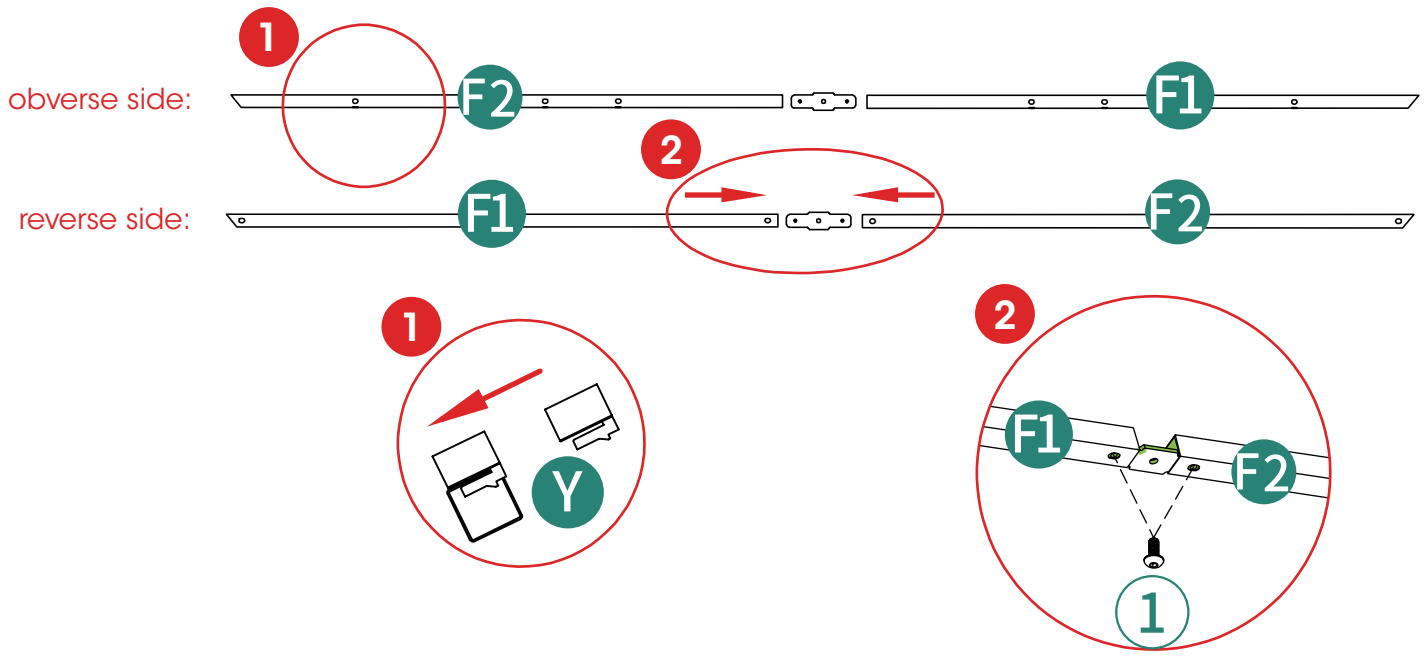
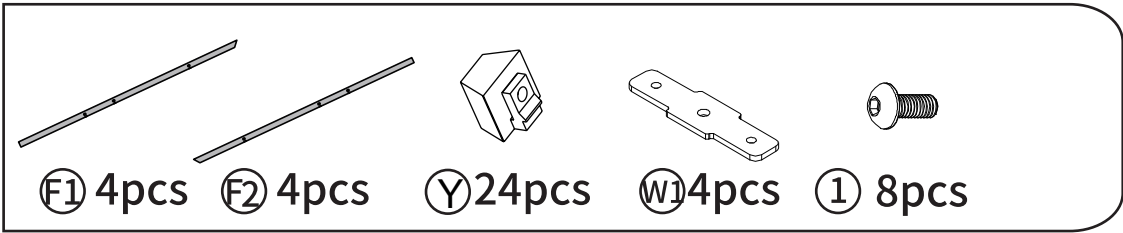
N4pcs



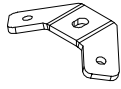
18pcs



20
X4



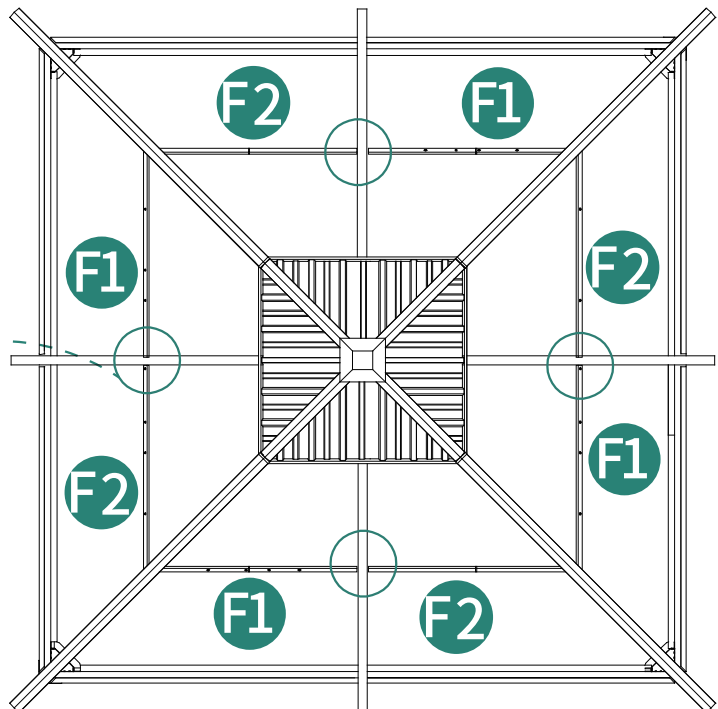
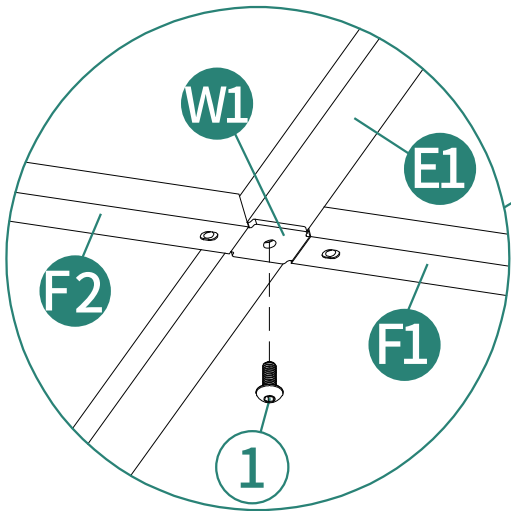
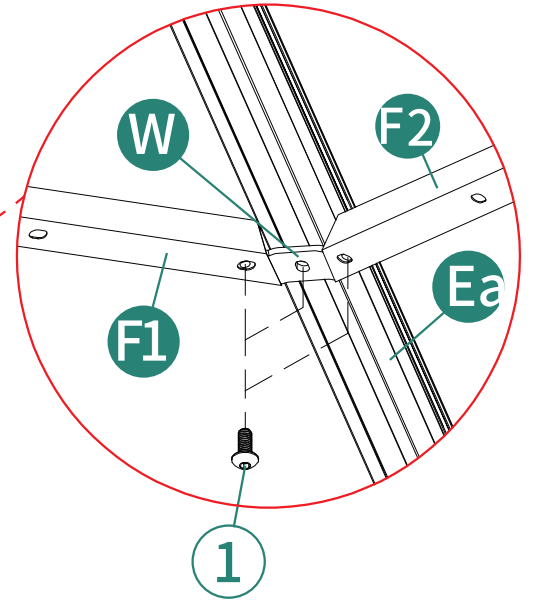
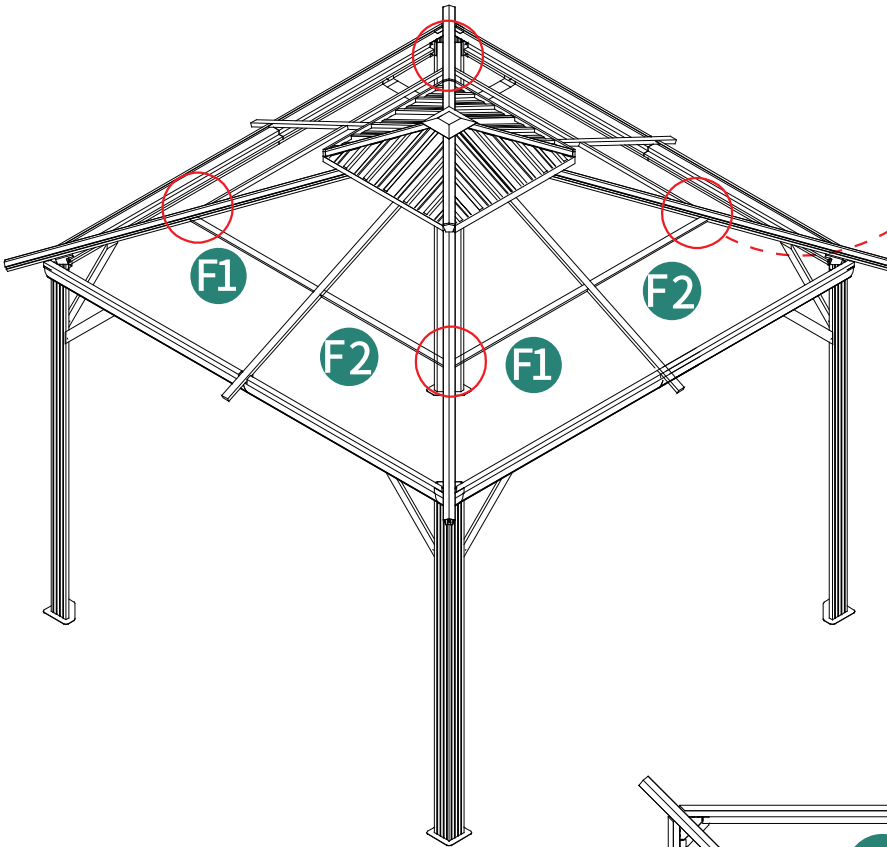
21



W 4pcs



1 16pcs



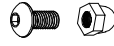
22



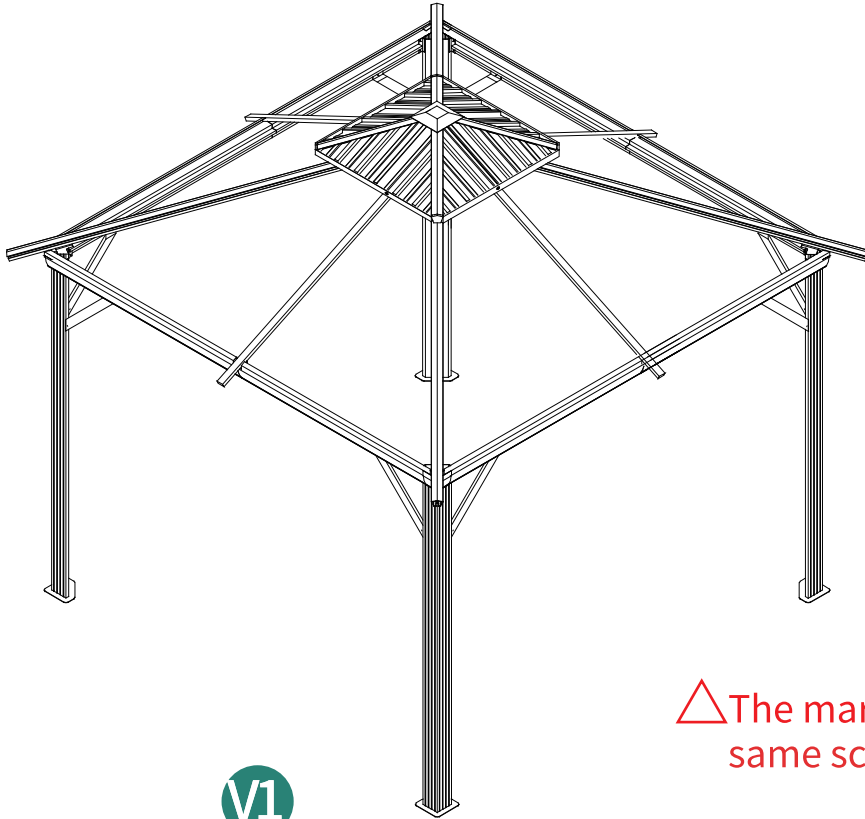
Ⓟ V1 2pcs



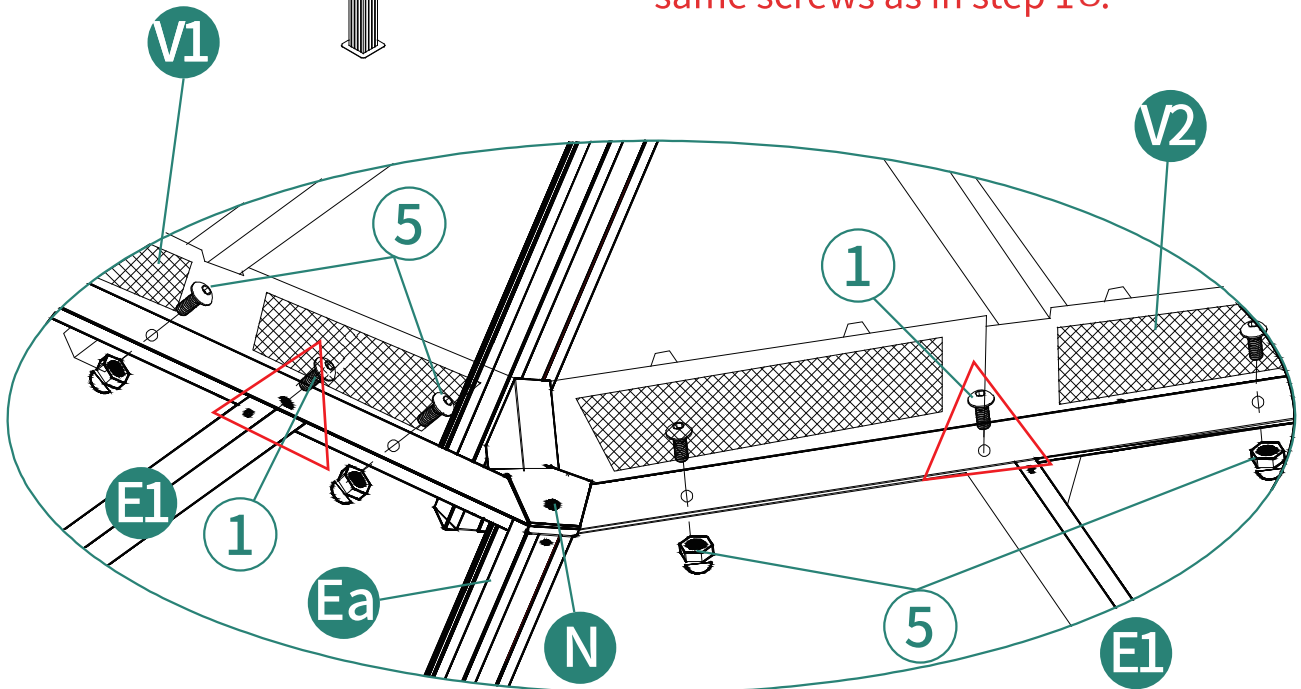
Ⓟ V2 2pcs



Ⓟ 5 8pcs

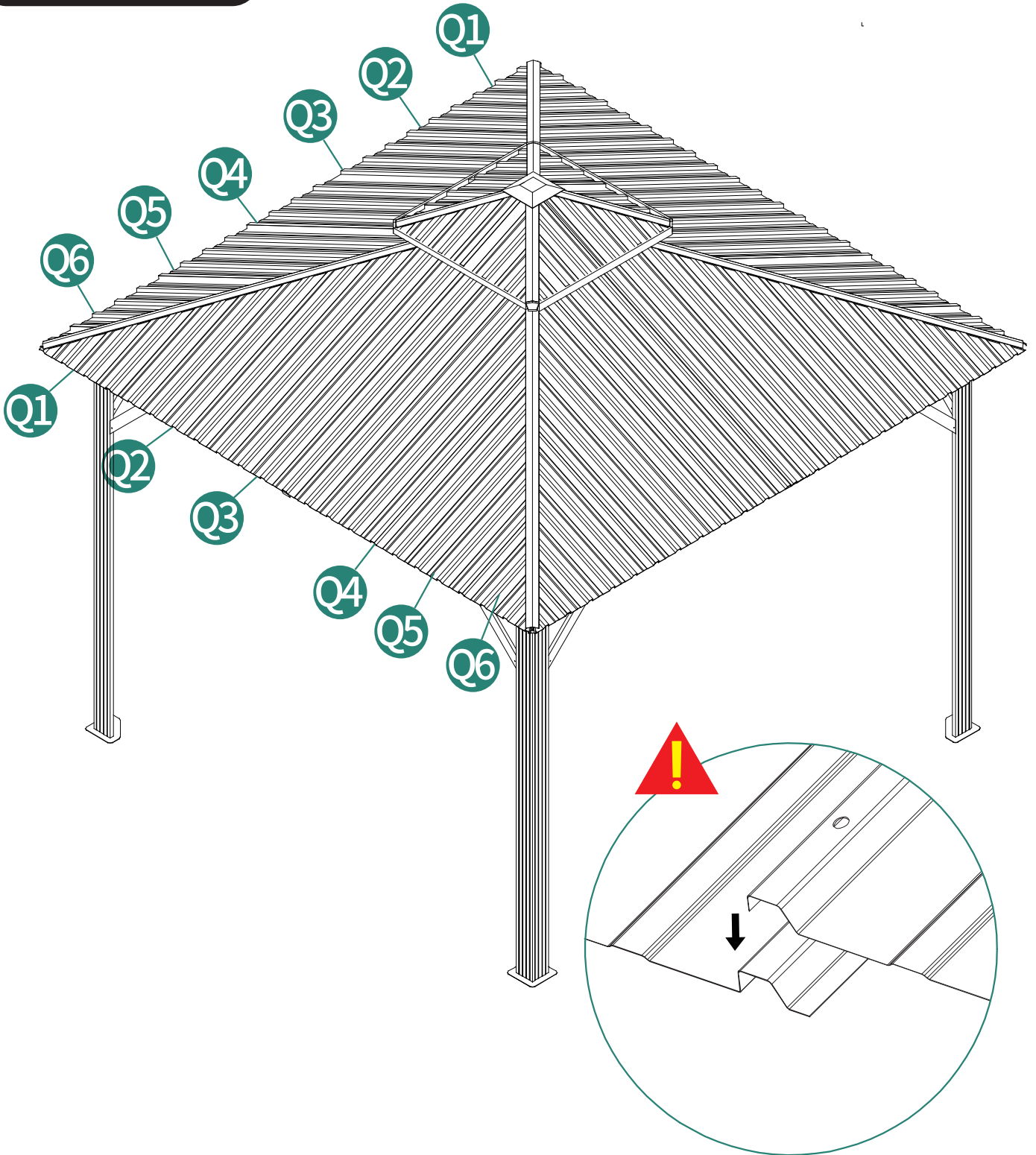


△ The marked parts use the same screws as in step 16.

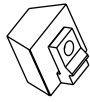


It's view from the bottom inside gazebo.

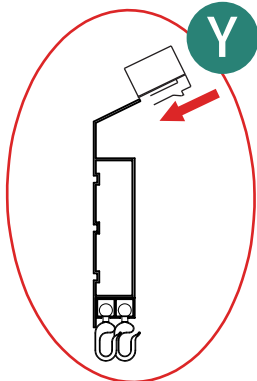
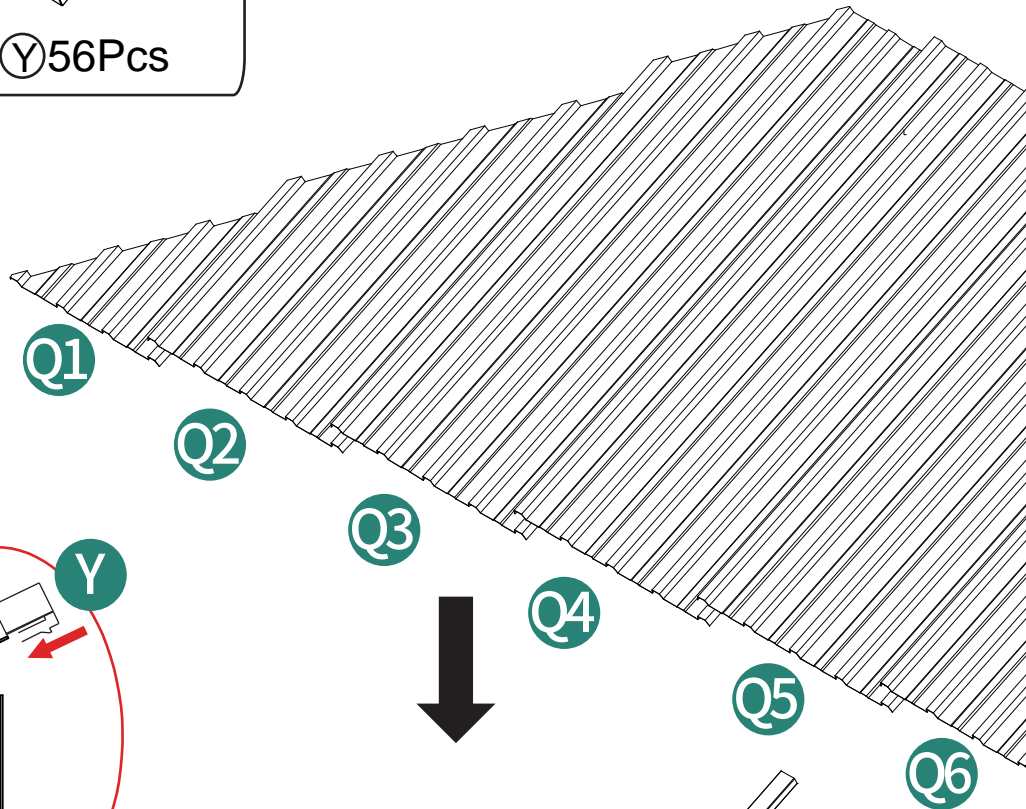
23



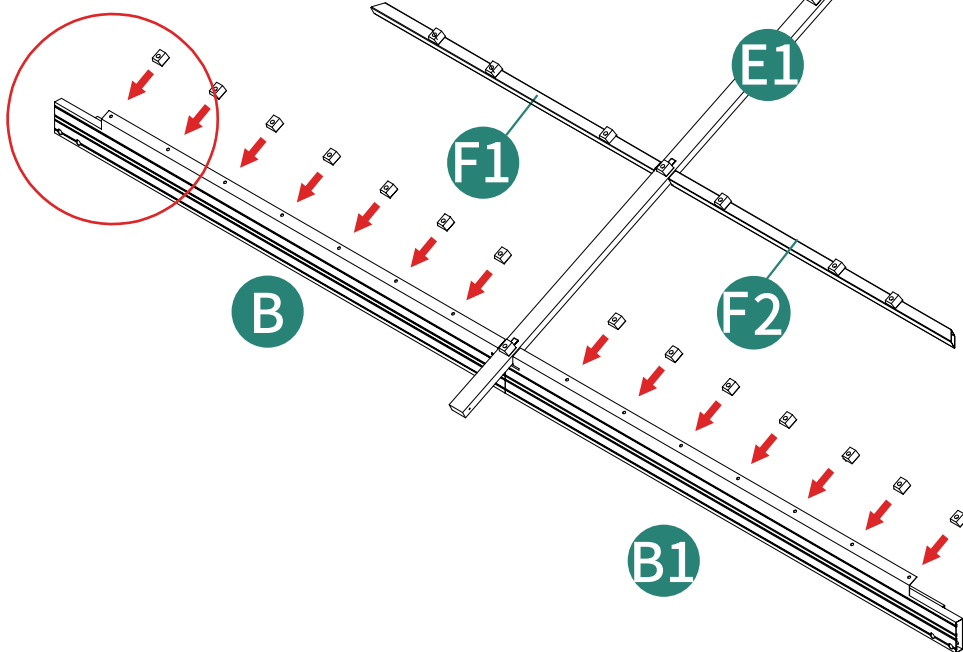
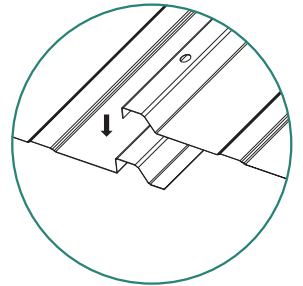
24



Y56Pcs



⚠ Need to align the holes Y and B/B1.

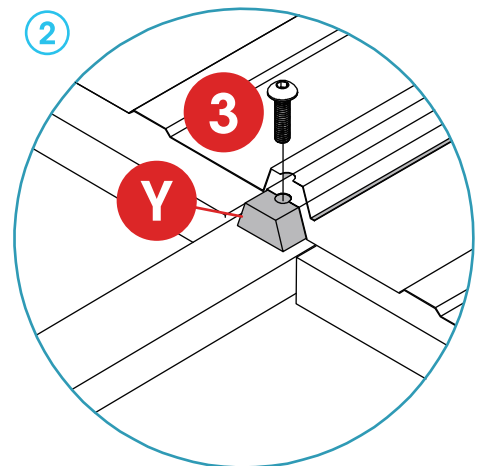
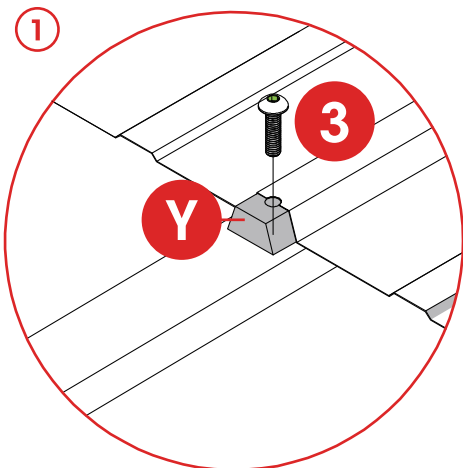
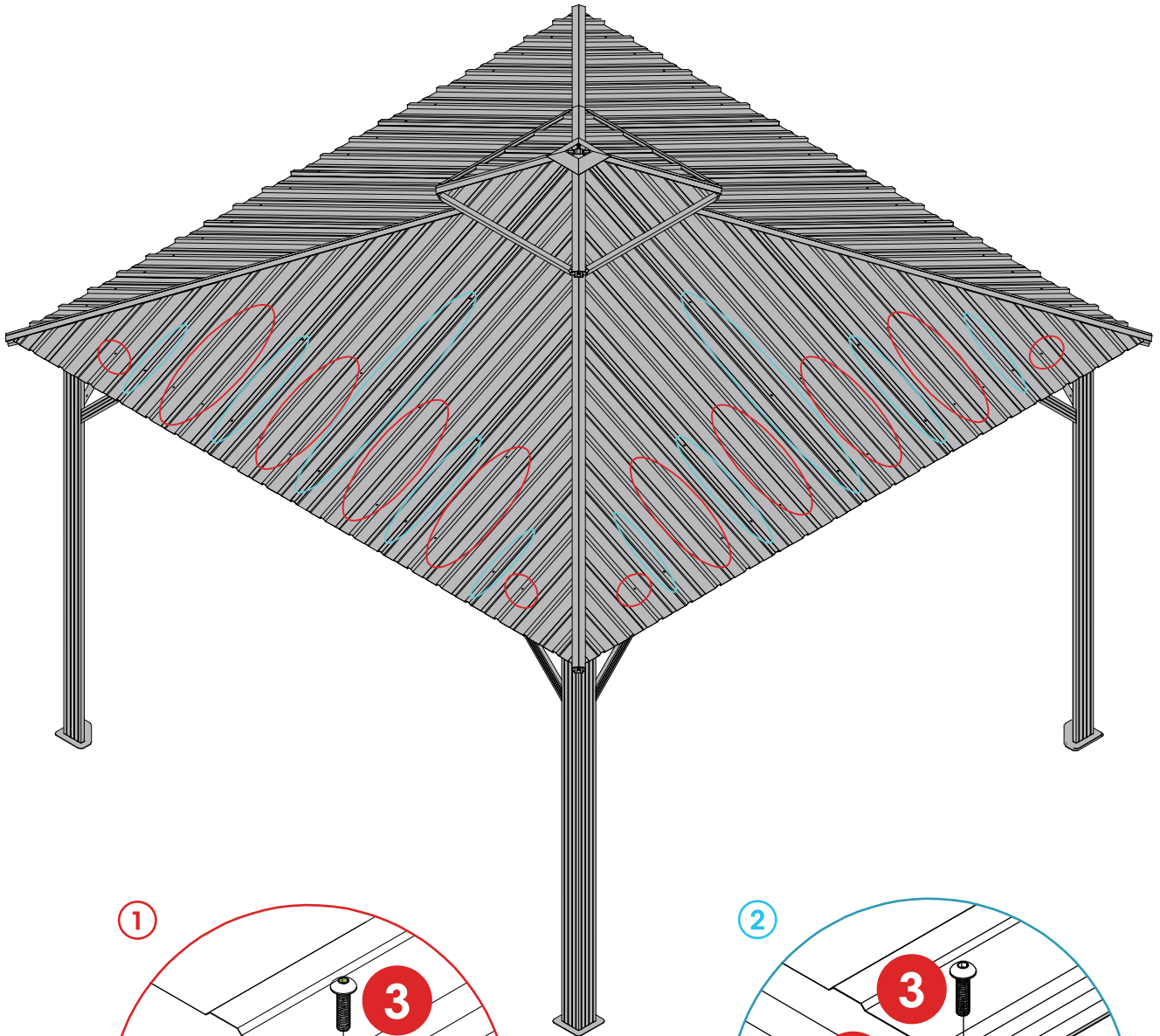


x4

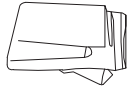
25



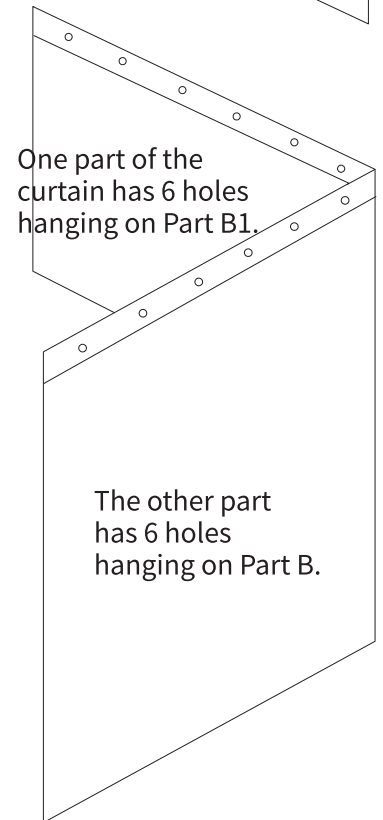
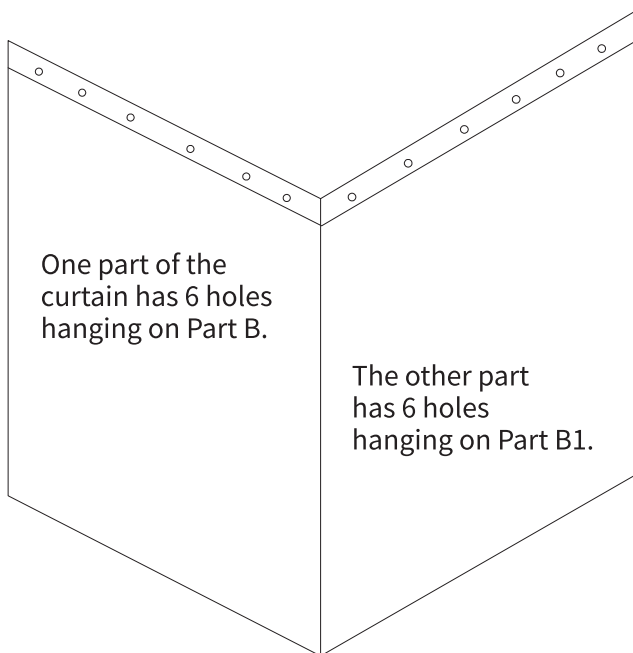
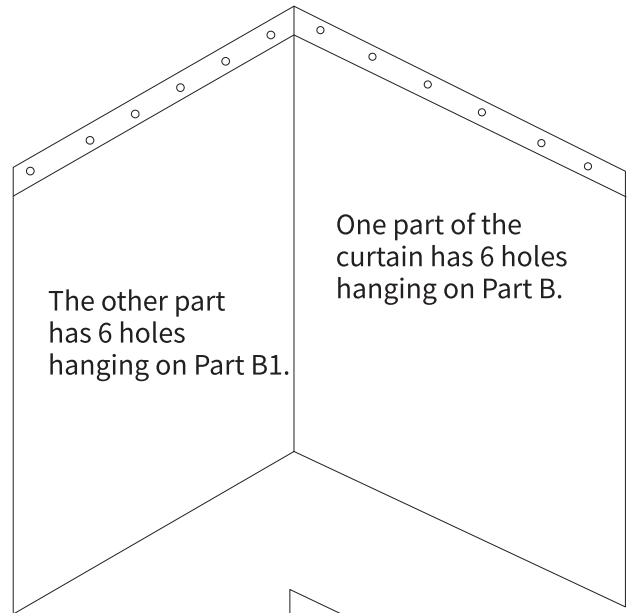
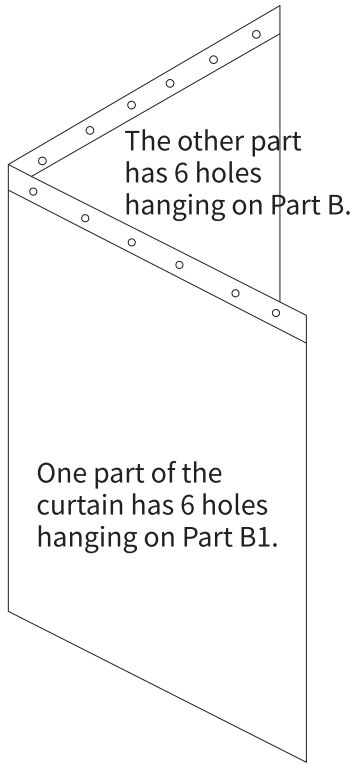
③ 92Pcs



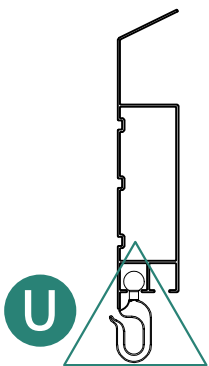
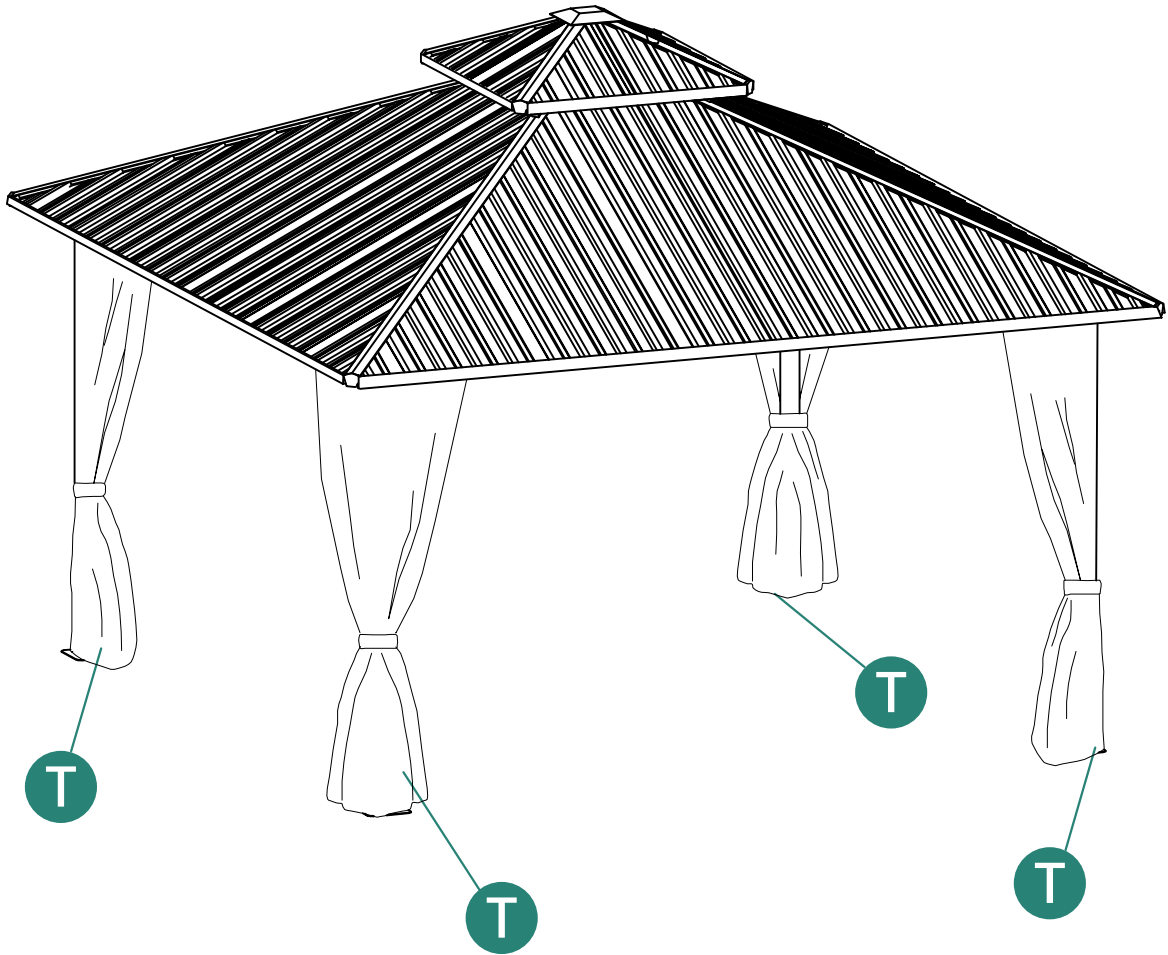
27



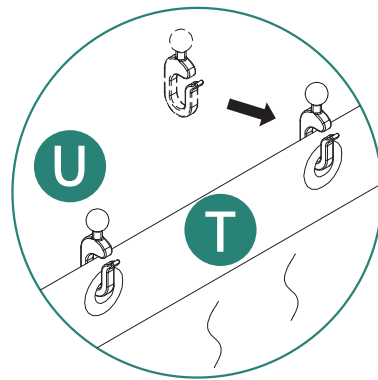
Ⓣ4pcs



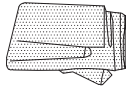
28



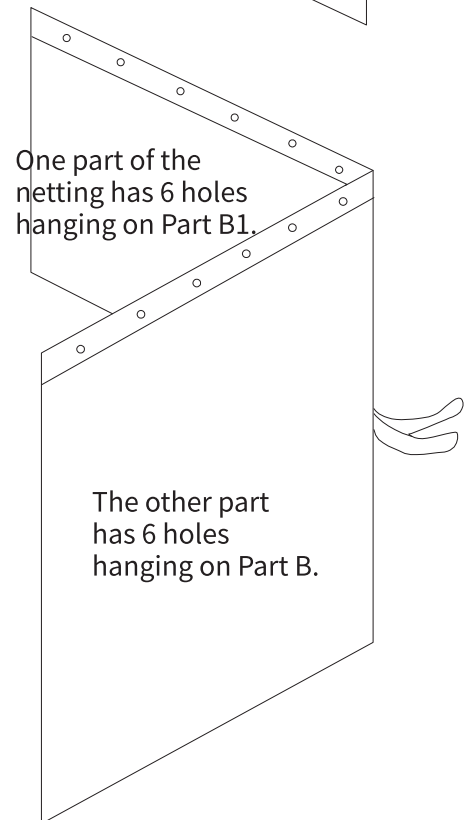
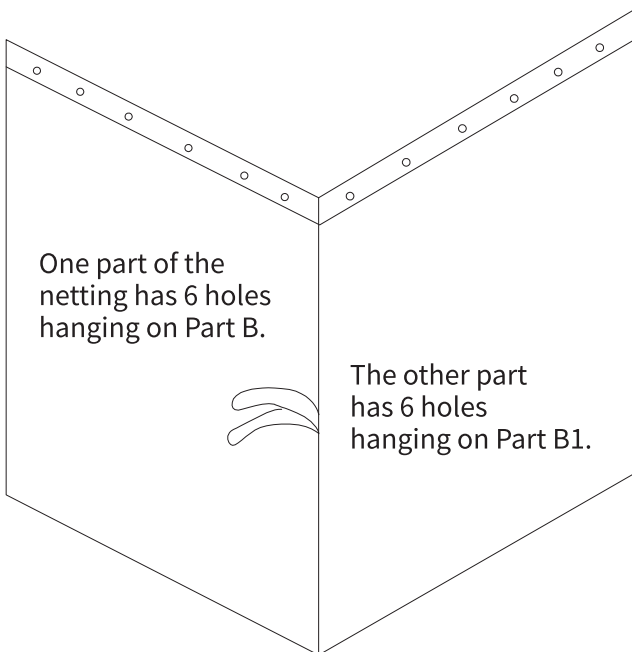
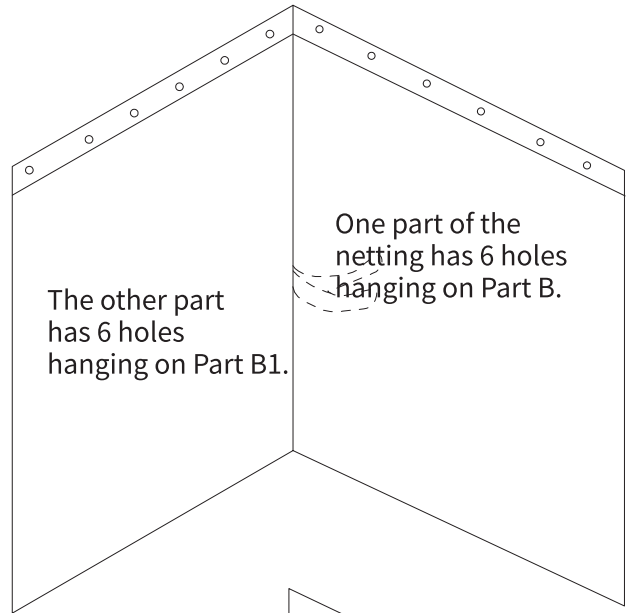
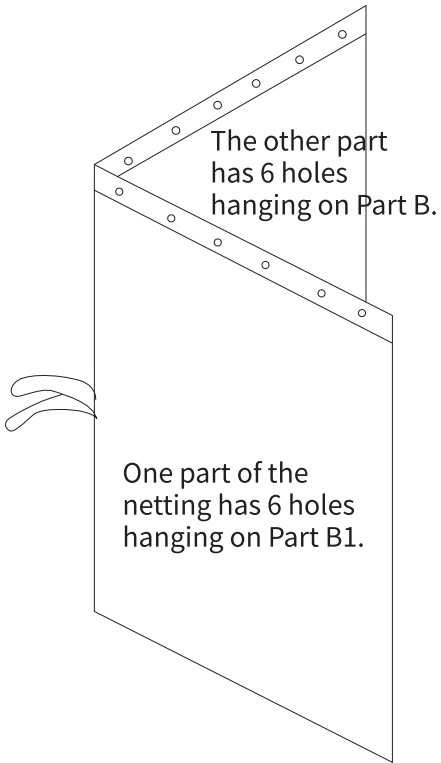
Pay attention to the sidewall curtain's installation position.



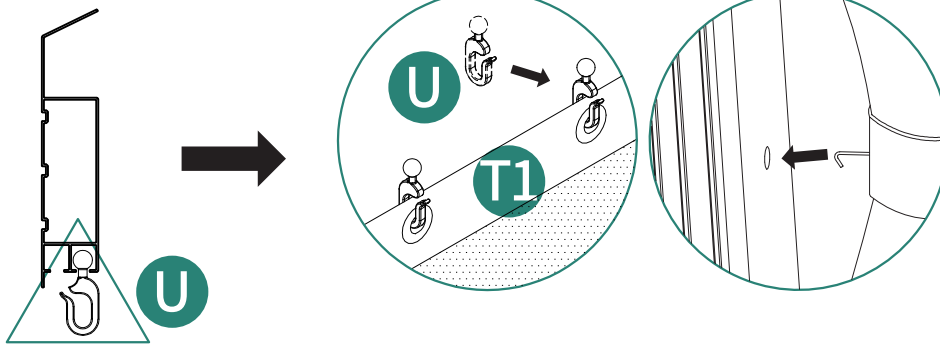
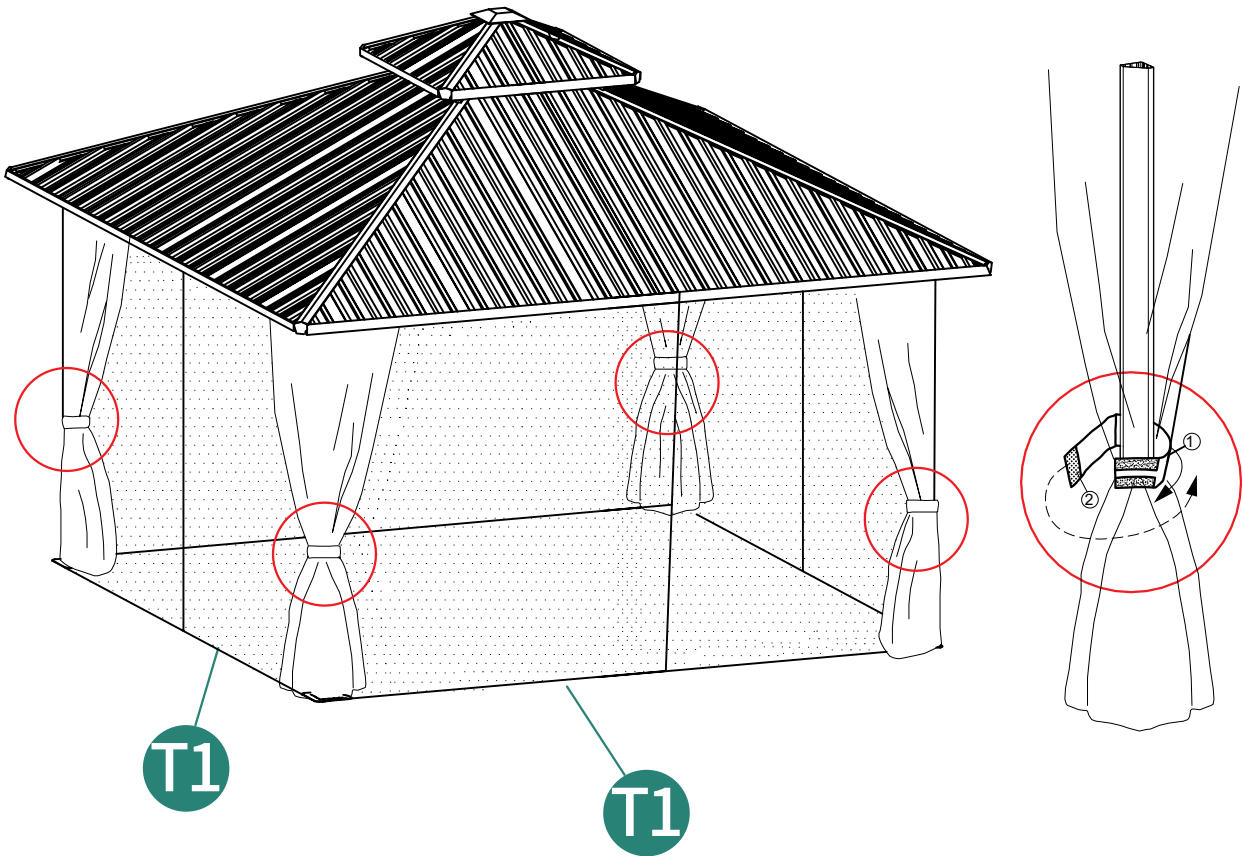
29



T14pcs



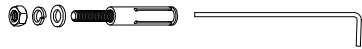
30

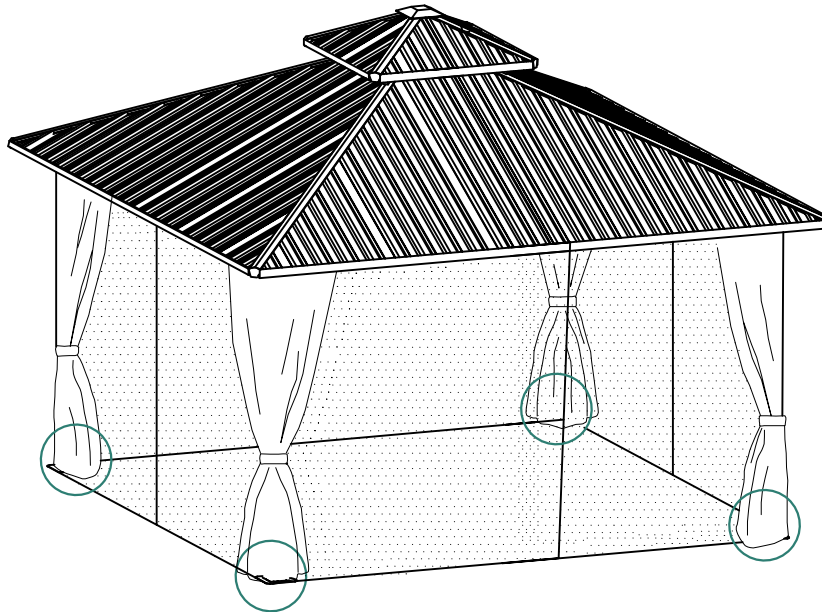


Pay attention to the sidewall netting's installation position.

Hang the hook attached to the netting on Part A.

31

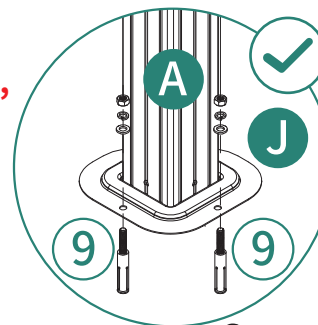

⑨ 12 pcs ⑭ 12 pcs



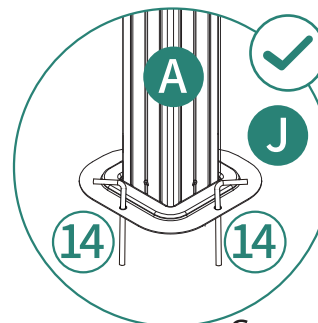
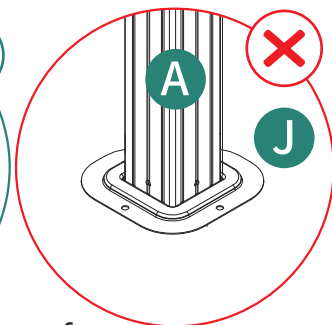
1. The product must be installed on a solid base, such as cement or a floor, to prevent damage from strong winds and potential property or health risks.

2. If the product cannot be securely fixed, you must detach and store it properly before heavy winds occur.

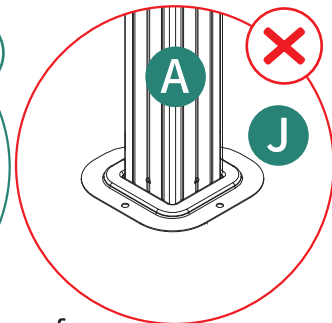
3. The manufacturer will not be liable for any losses or damages if these instructions and recommendations are not followed.



Cement surfaces



Grassy surfaces



HELP CENTER



Inquiry



Assembly issue



Missing parts

If you encounter any difficulties during assembly, please contact us.

Wenn Sie während der Montage auf Schwierigkeiten stoßen, kontaktieren Sie uns bitte.

Si vous rencontrez des difficultés lors du montage, veuillez nous contacter.

Se incontri difficoltà durante il montaggio, ti preghiamo di contattarci.

Si encuentras alguna dificultad durante el ensamblaje, por favor contáctanos.

DISCLAIMER

Manufacturer and seller expressly disclaim any and all liability for personal injury, property damage or loss, whether direct, indirect, or incidental, resulting from the incorrect attachment, improper use, inadequate maintenance, unapproved modification, or neglect of this product.

Der Hersteller und Verkäufer lehnen ausdrücklich jegliche Haftung für Personenschäden, Sachschäden oder Verluste ab, egal ob direkt, indirekt oder zufällig, die durch falsche Anbringung, unsachgemäßen Gebrauch, unzureichende Wartung, nicht genehmigte Änderungen oder Vernachlässigung dieses Produkts entstehen.

El fabricante y vendedor renuncian expresamente a toda responsabilidad por lesiones personales, daños materiales o pérdidas, ya sean directos, indirectos o incidentales, derivados de la incorrecta colocación, uso inadecuado, mantenimiento insuficiente, modificación no aprobada o negligencia de este producto.

Il produttore e il venditore declinano espressamente ogni responsabilità per lesioni personali, danni materiali o perdite, dirette, indirette o incidentali, derivanti dall'errato fissaggio, uso improprio, manutenzione inadeguata, modifica non autorizzata o negligenza di questo prodotto. Le fabricant et le vendeur déclinent expressément toute responsabilité en cas de blessures corporelles, de dommages matériels ou de pertes, qu'ils soient directs, indirects ou accessoires, résultant de la fixation incorrecte, de l'utilisation inappropriée, de l'entretien insuffisant, de la modification non approuvée ou de la négligence de ce produit.