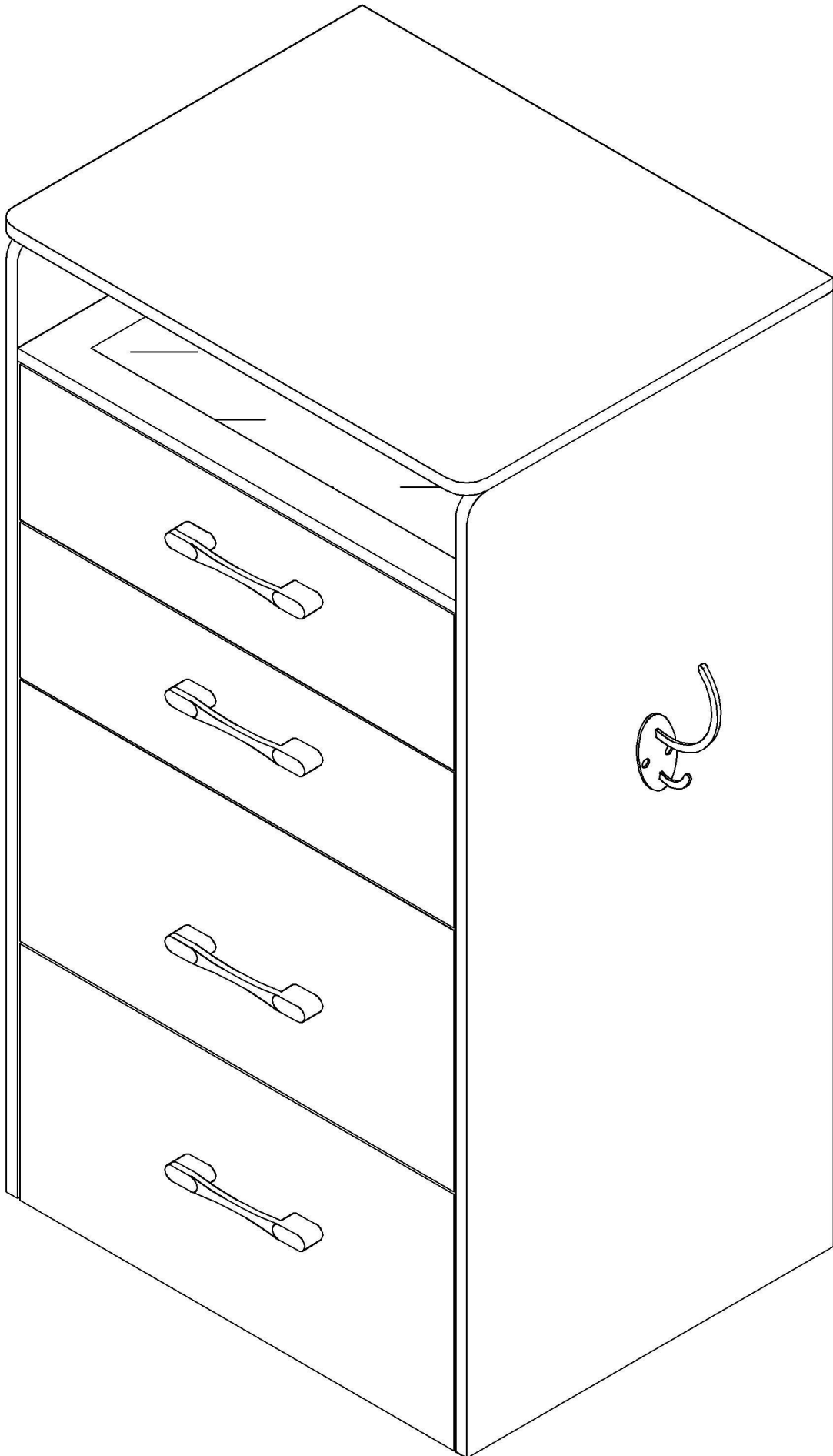
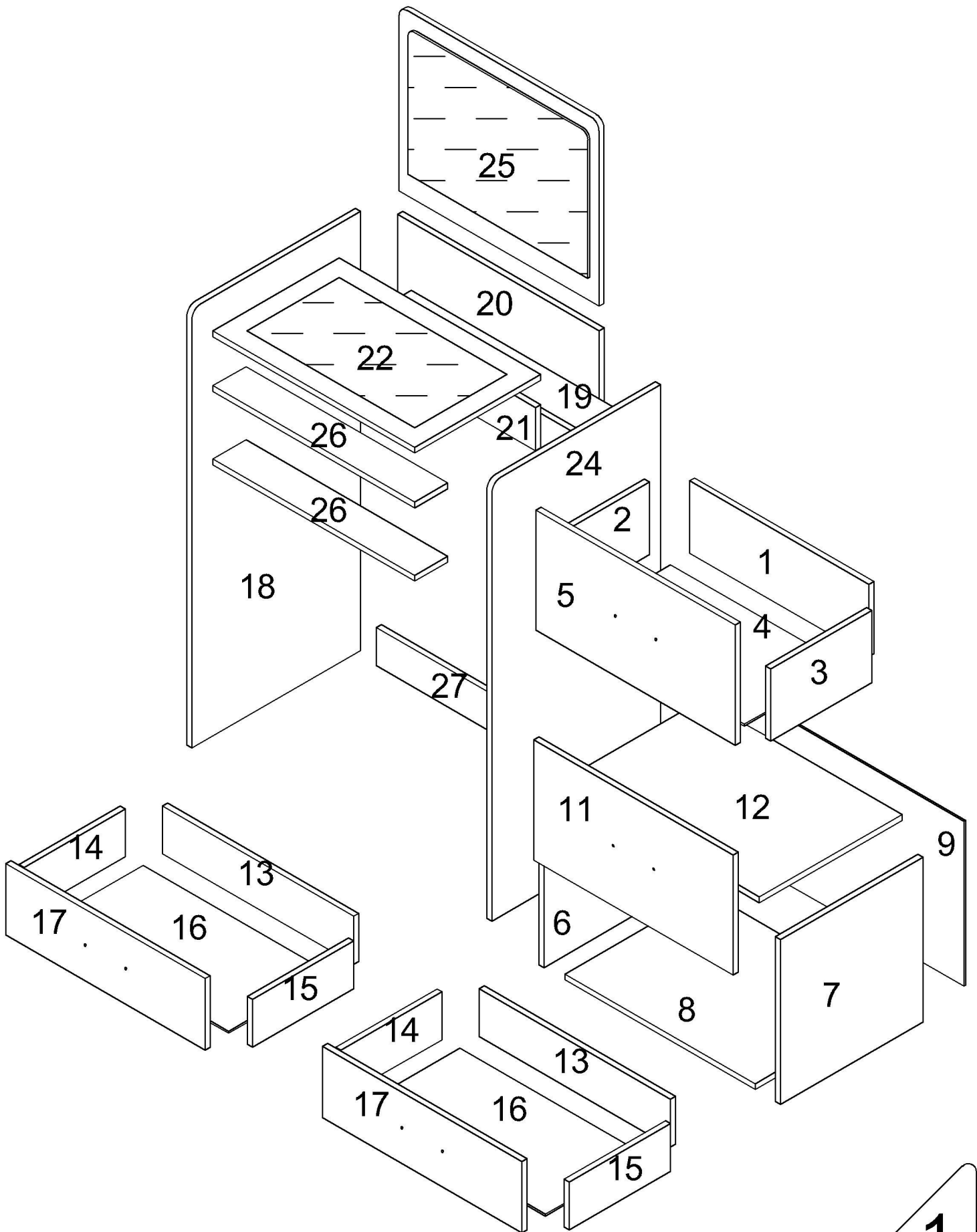
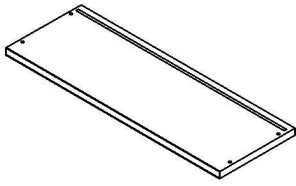


# Vanity Table Manual

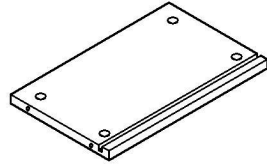




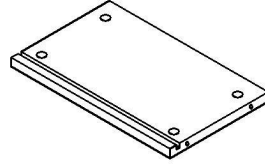
# Hardware list



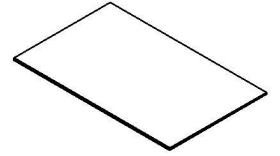
1x1



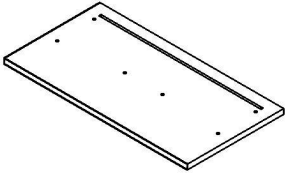
2x1



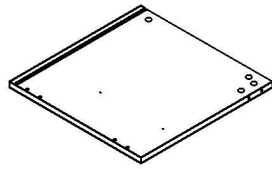
3x1



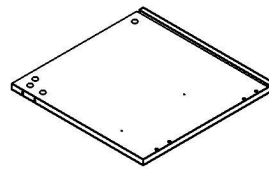
4x1



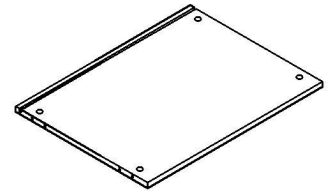
5x1



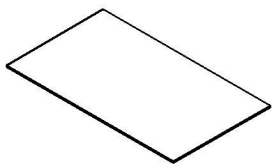
6x1



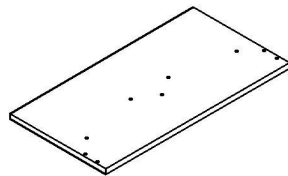
7x1



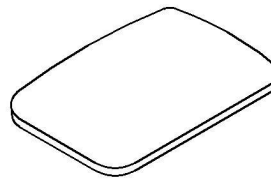
8x1



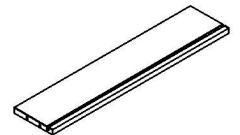
9x1



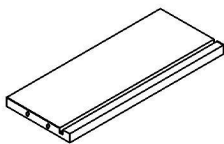
11x1



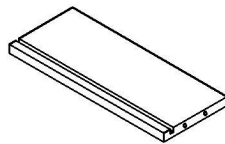
12x1



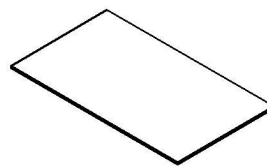
13x2



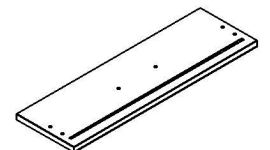
14x2



15x2

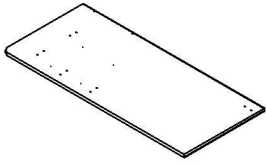


16x2

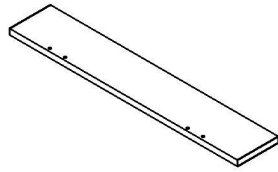


17x2

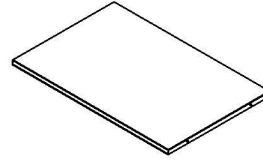
# Hardware list



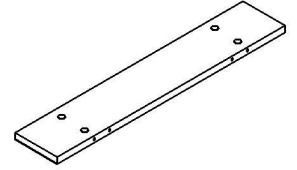
18x1



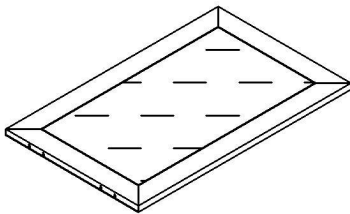
19x1



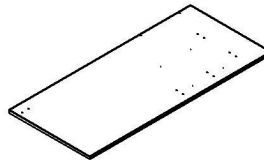
20x1



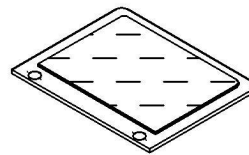
21x1



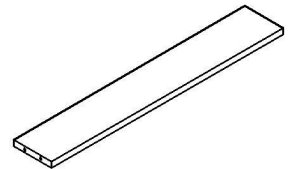
22x1



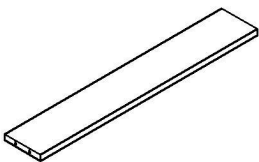
24x1



25x1

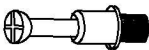


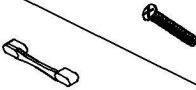



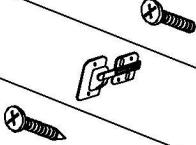



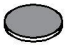



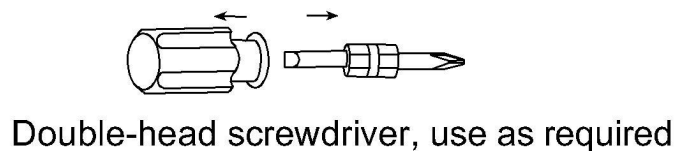
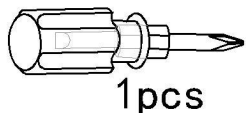
26x2

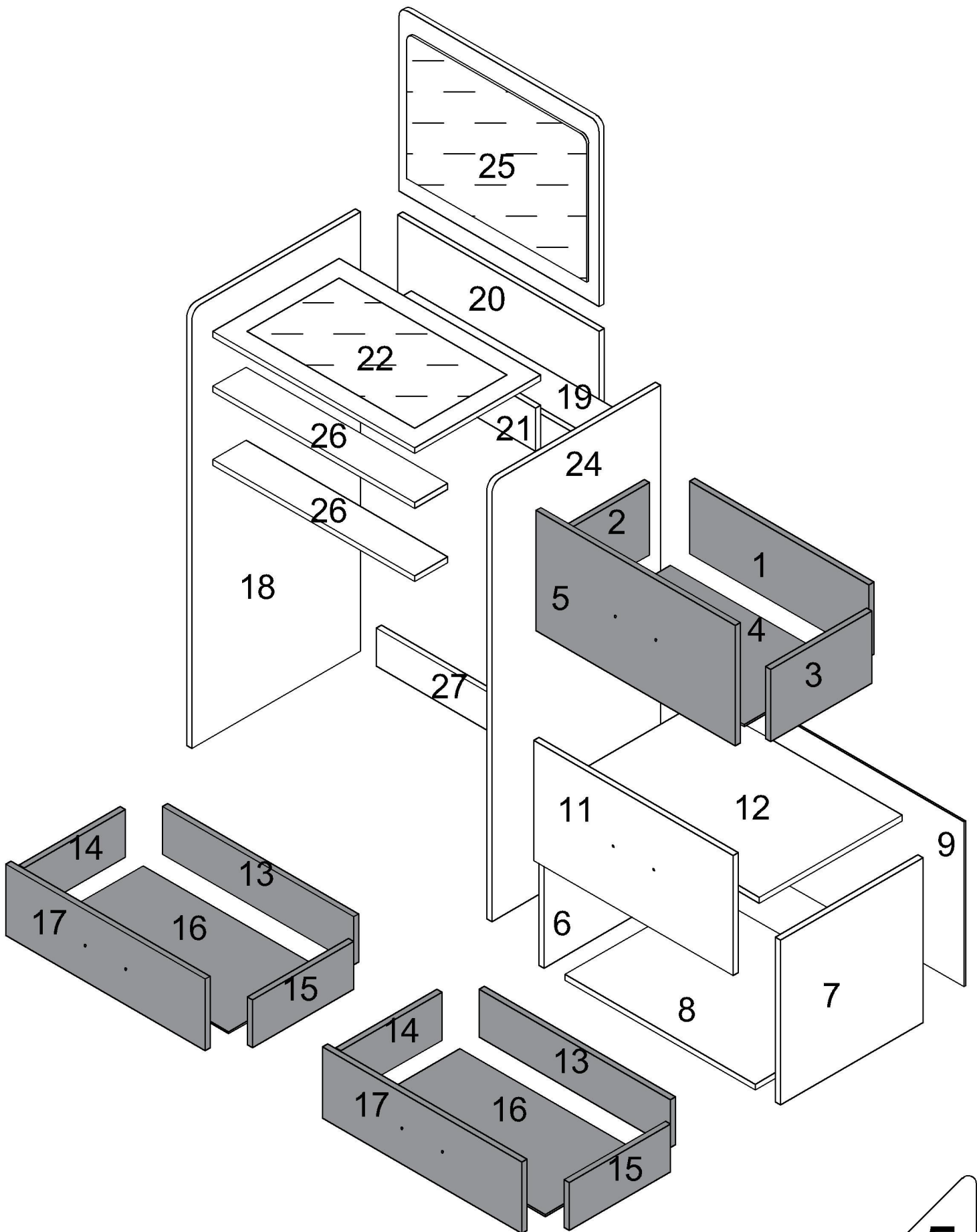


27x1

# Accessories list

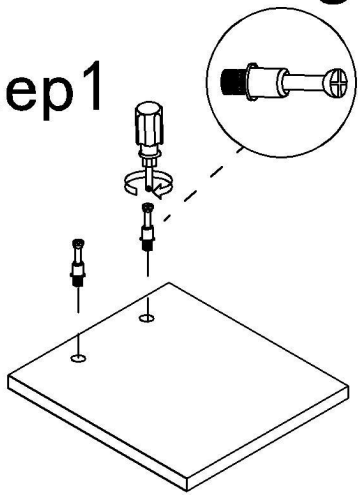
A		Two in one screw (6x28mm)	66pcs +6pcs
B		Two in one nut (10x12mm)	66pcs +6pcs
C		Wood chipping (6x30mm)	18pcs +4pcs
D		Handle & screw (4x16mm)	8pcs +1pcs 4pcs
E		Guide & Screw (3.5x12mm)	36pcs 6pcs
F		Foot rubber pad (30x10x2mm)	8pcs
G		Back plate buckle & Screw (3x16mm)	4pcs
H		Countersunk head tapping screw(4x14mm)	8pcs 2pcs 4pcs
I		Countersunk head tapping screw (4x45mm)	1pcs
J		anti-tipping tape	1pcs
K		Countersunk head tapping screw(4x16mm) gasket	1pcs
L		Foot rubber pad(10x3.5mm)	4pcs
M		Hooking	2pcs 1pcs



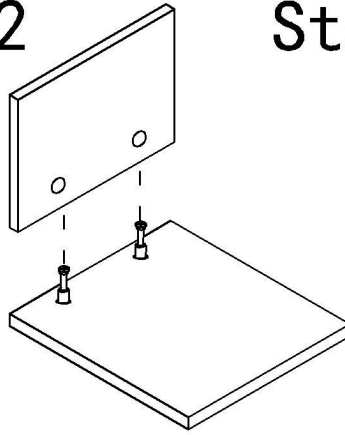


# Use parts ① and ②

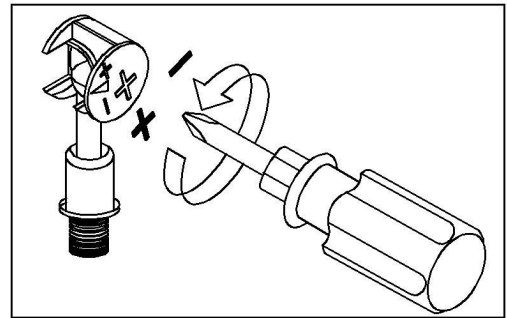
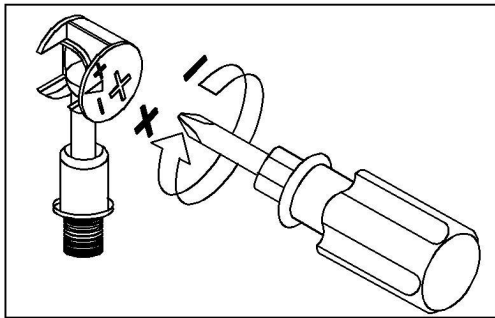
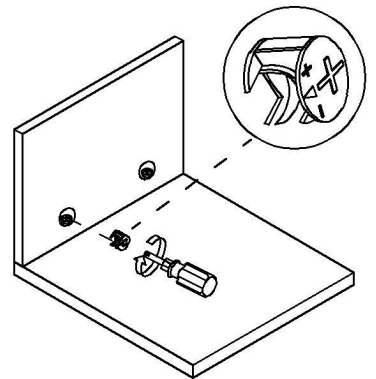
Step1



Step2



Step3

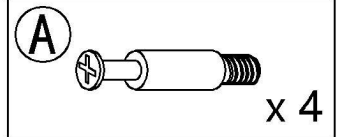
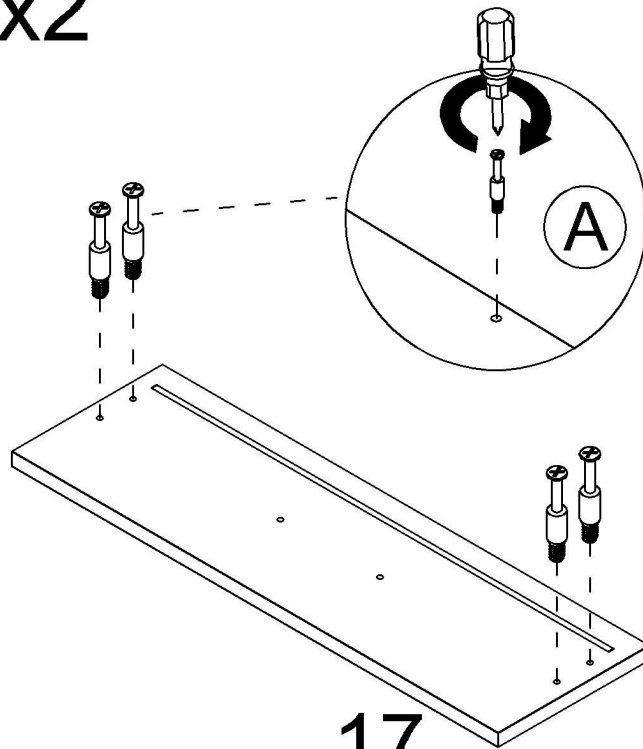


Use a screwdriver to lock in the direction of the "+" sign

Disassemble along the direction of "-" sign

Step 1

x2

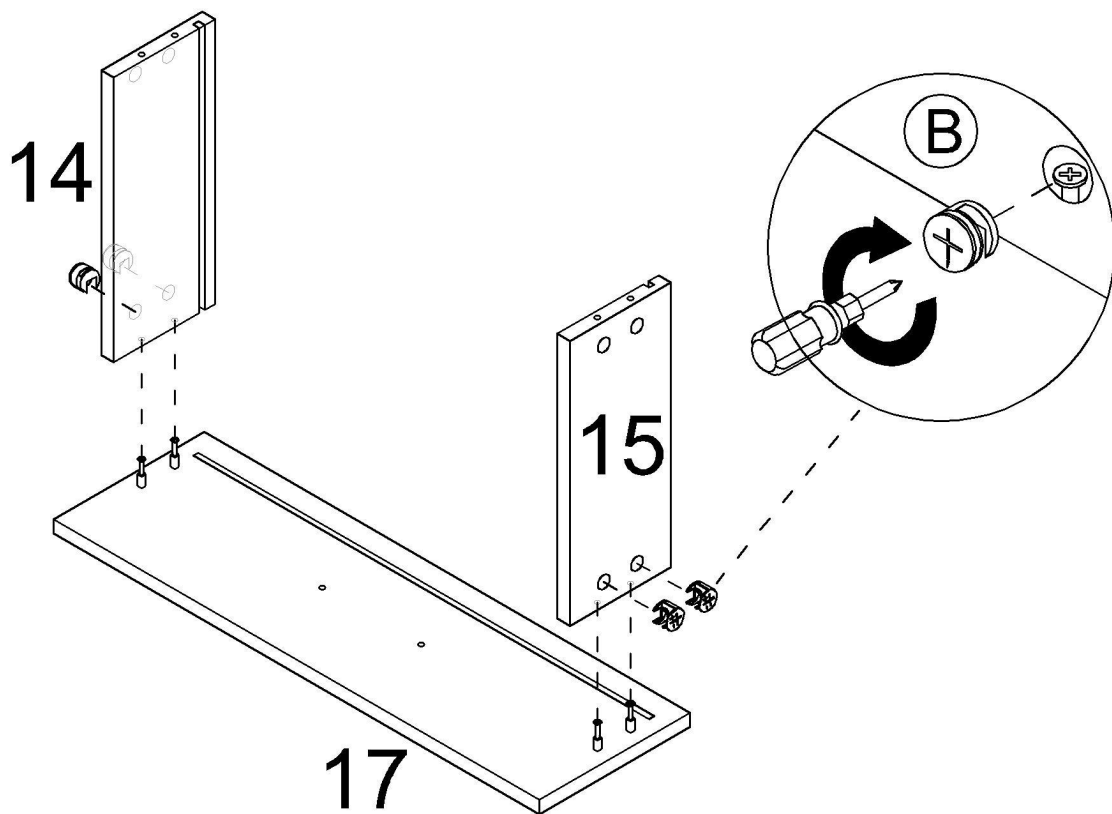


17

6

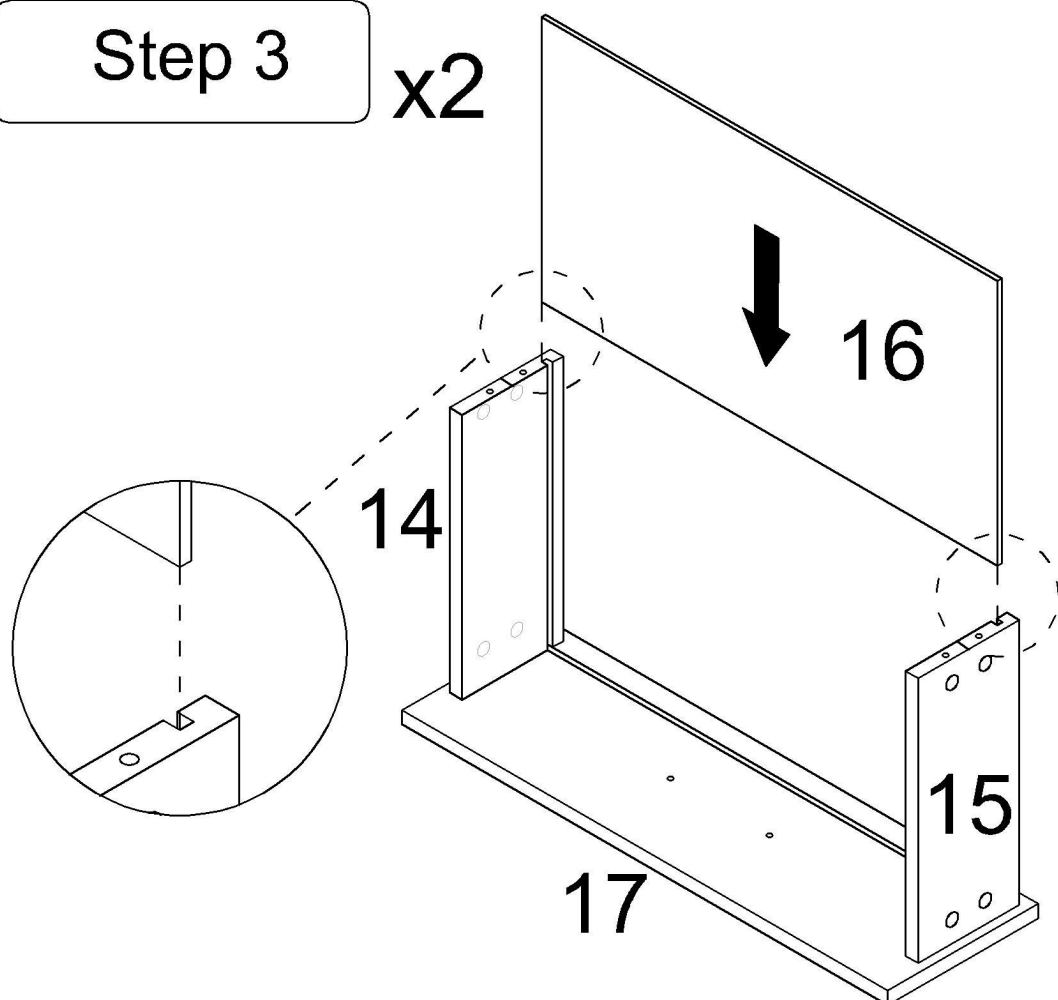
Step 2

x2



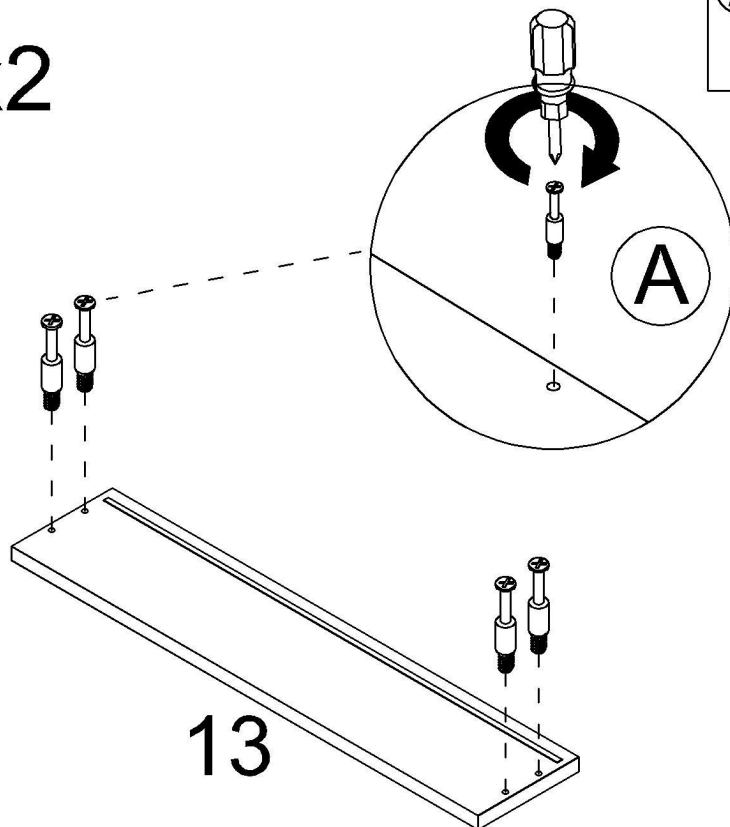
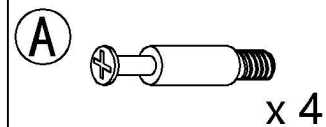
Step 3

x2



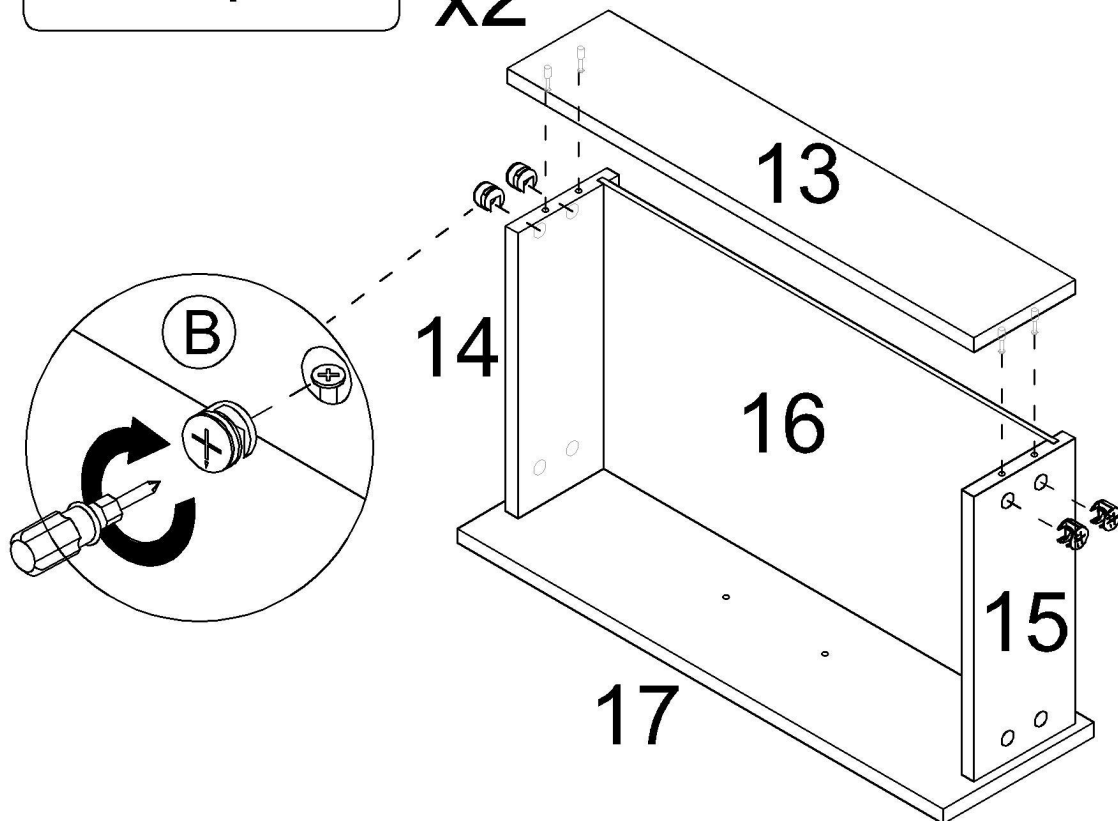
Step 4

x2

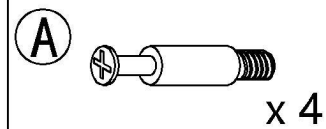
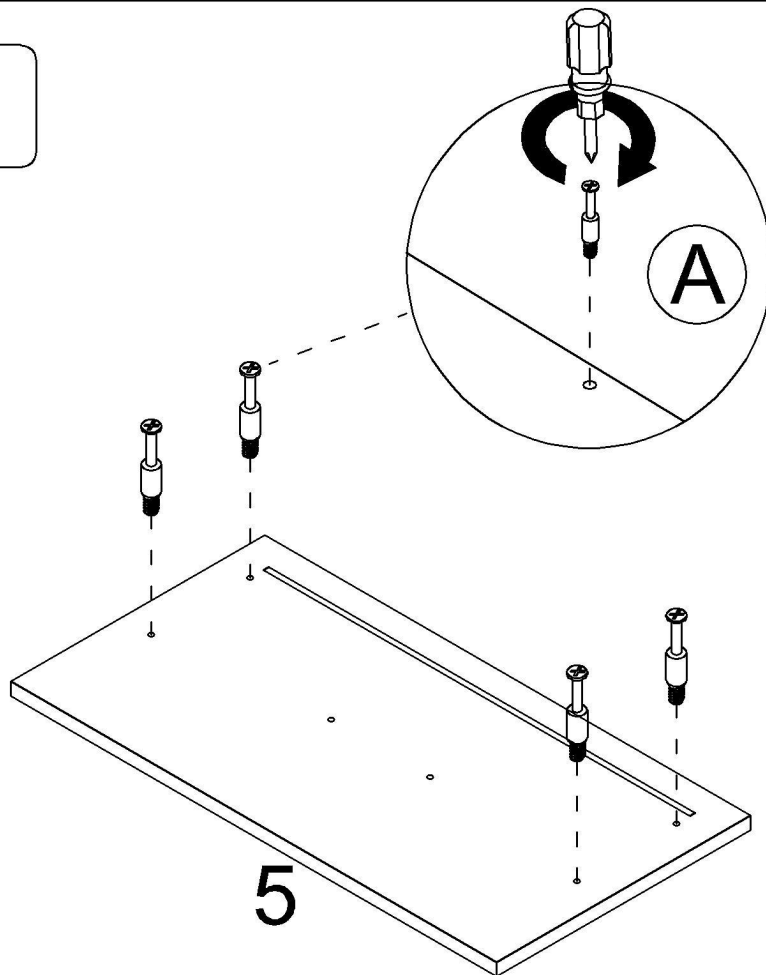


Step 5

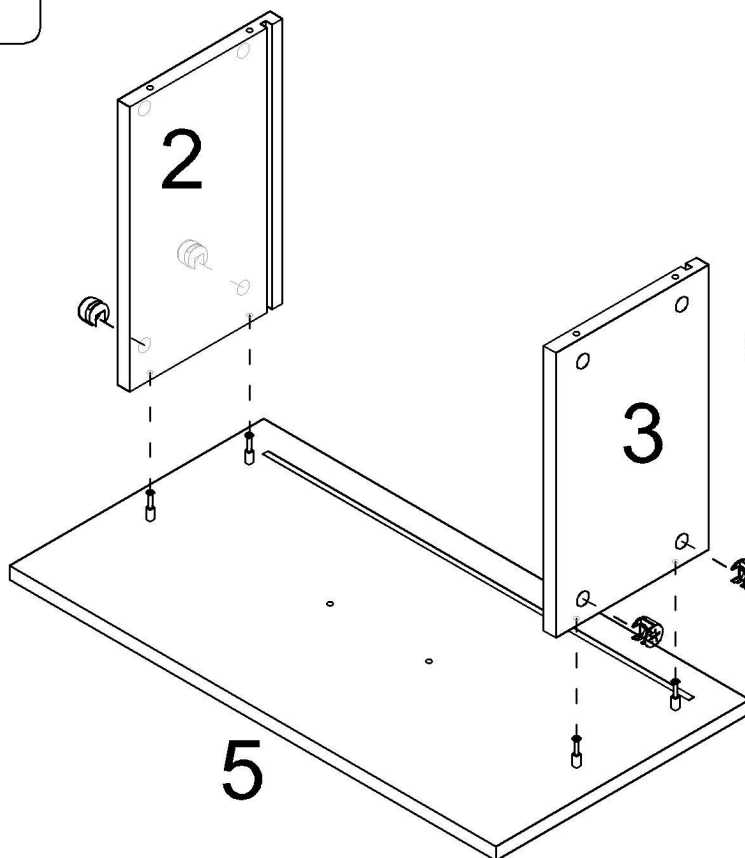
x2



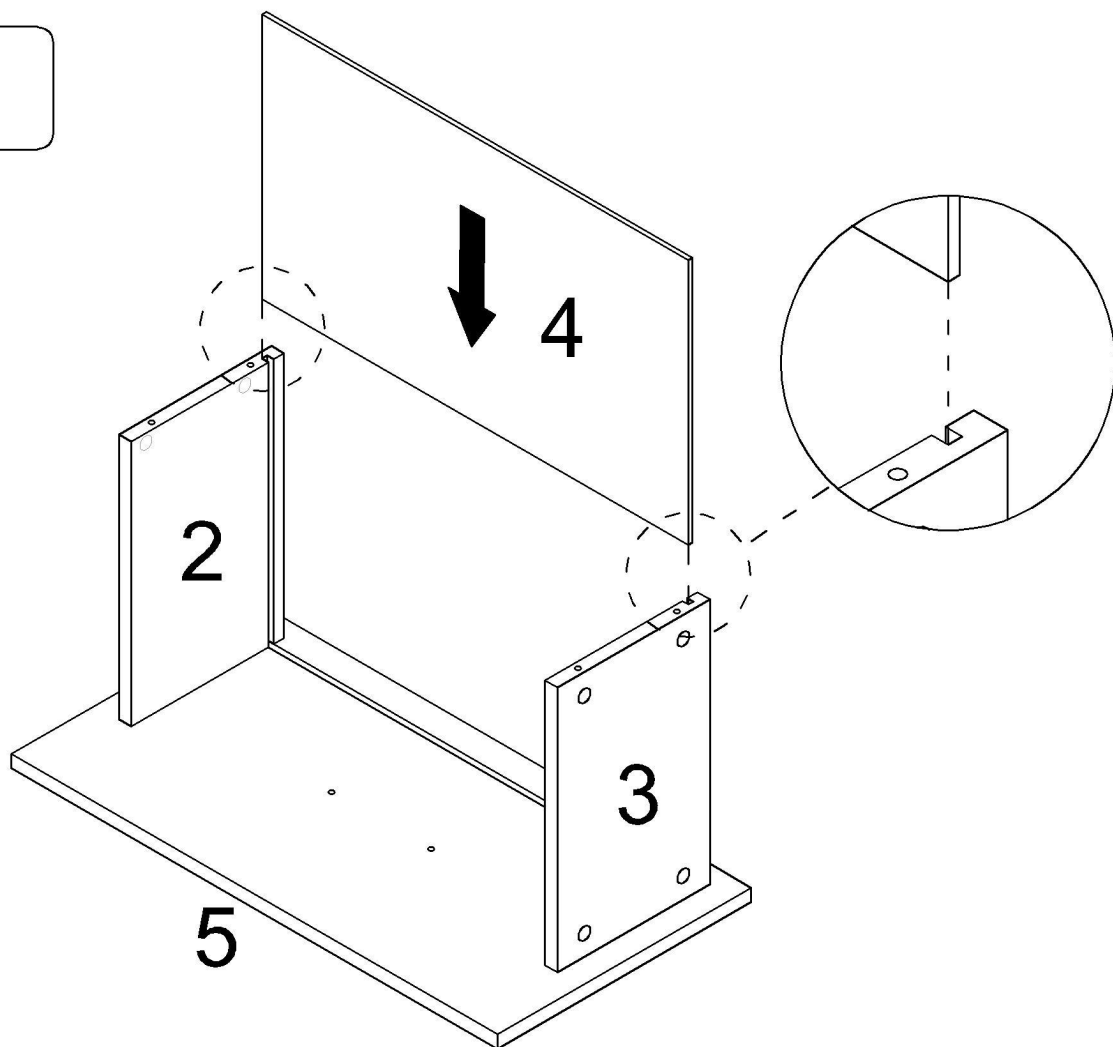
# Step 6



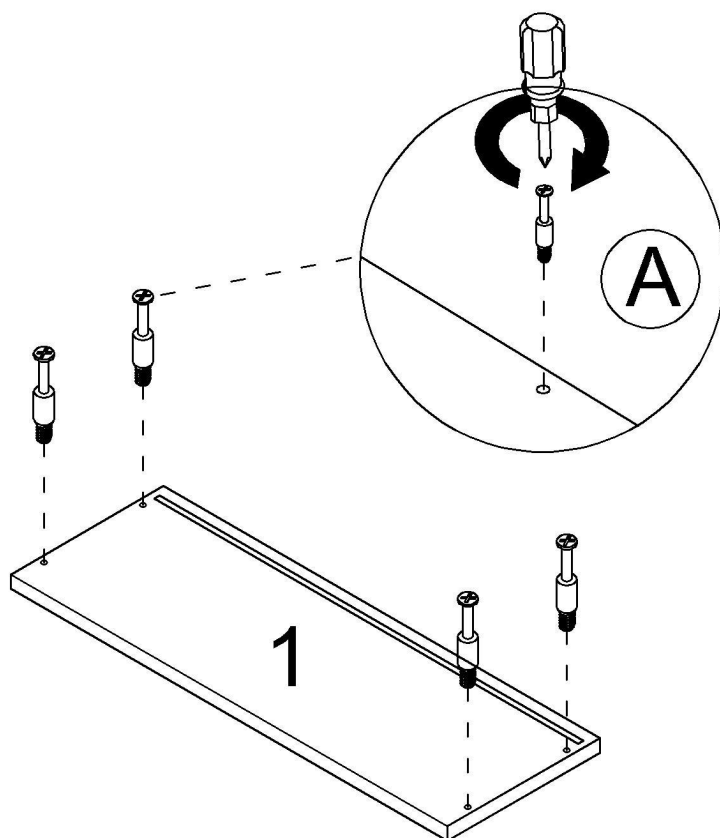
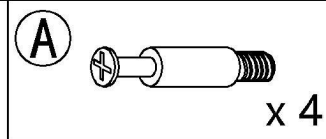
# Step 7



# Step 8

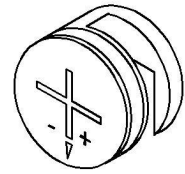


# Step 9

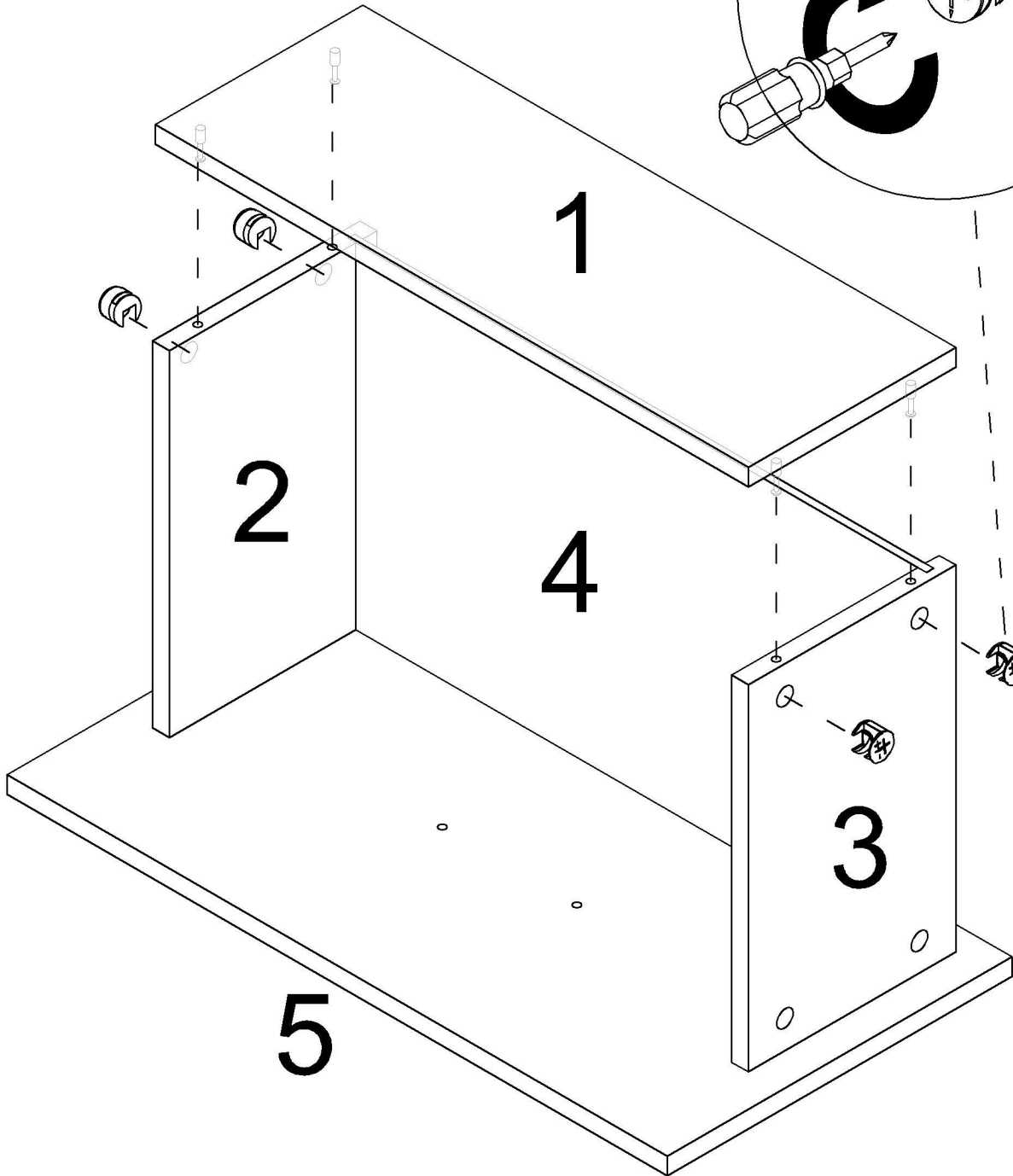
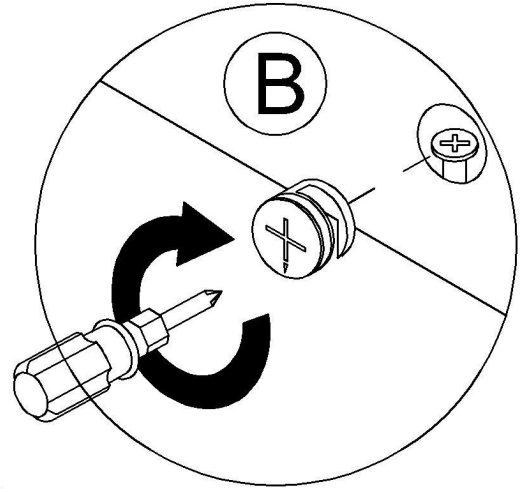


# Step 10

**B**

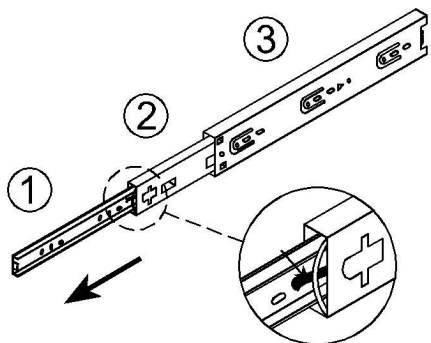


x 4



# Step 11

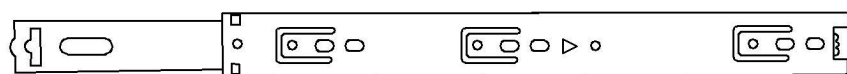
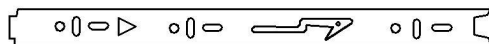
## Drawer rail breakdown diagram



Step 1 : Pull the rails apart

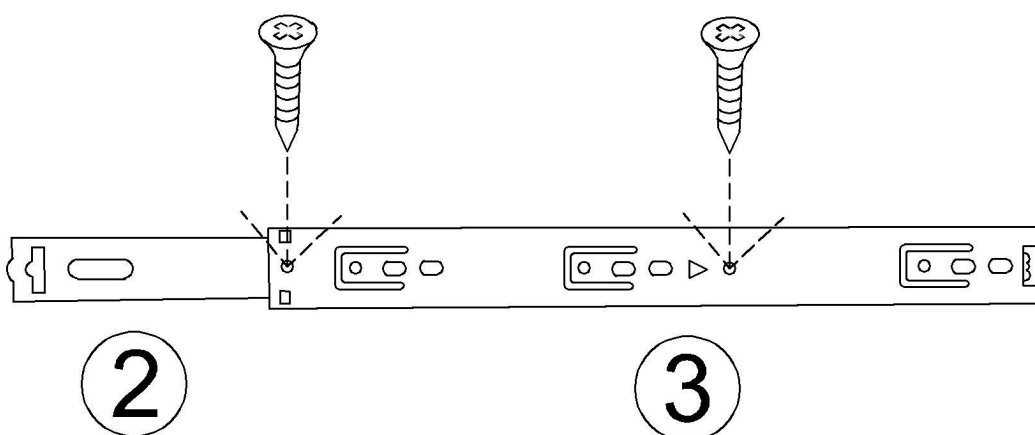
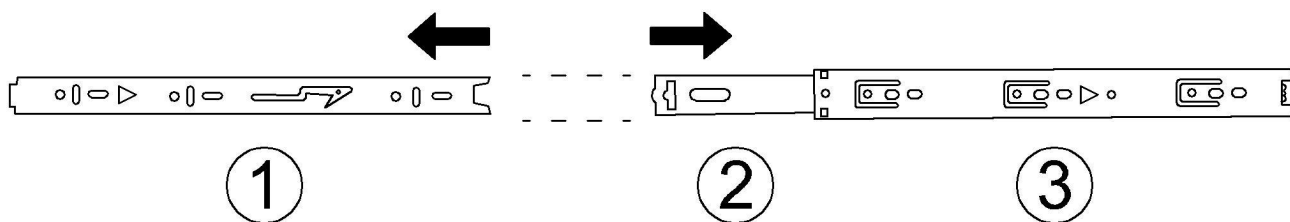
Step 2 : Push the nylon buckle outward ①

①



②

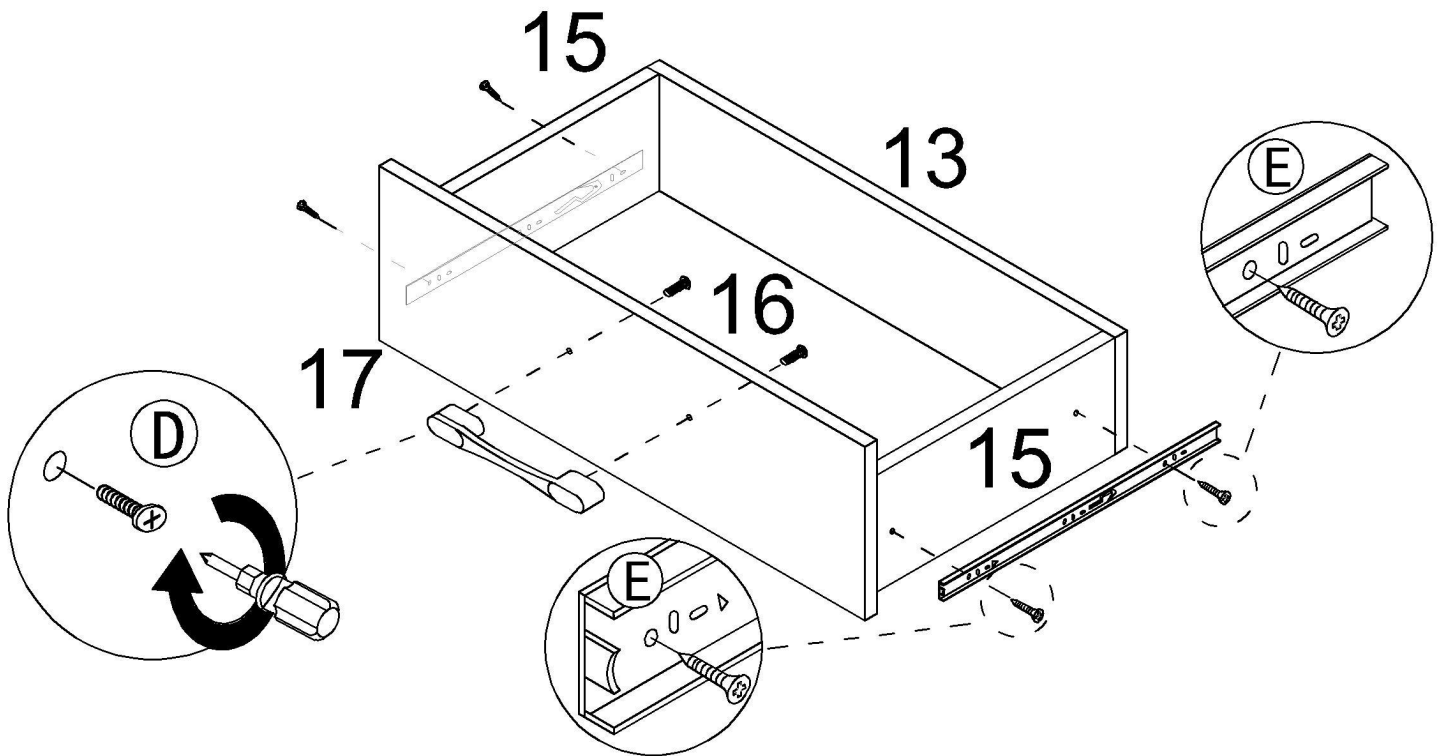
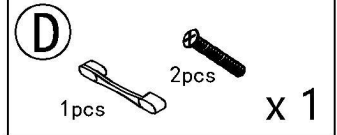
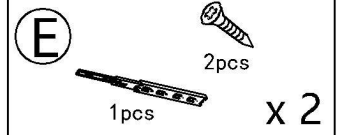
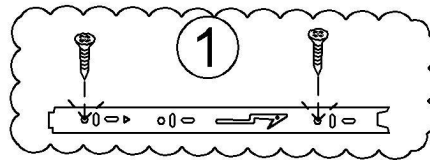
③



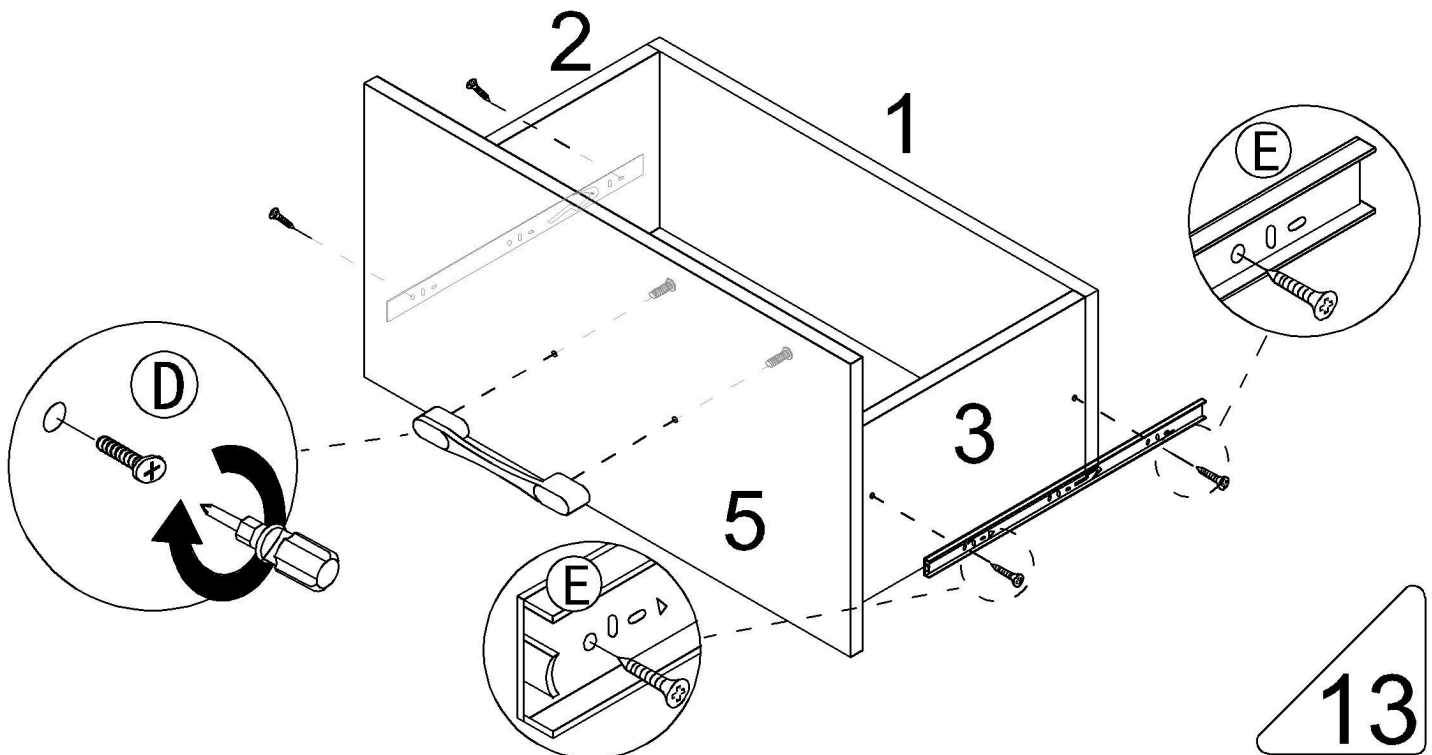
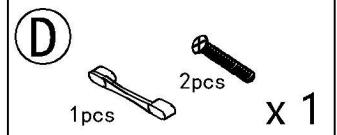
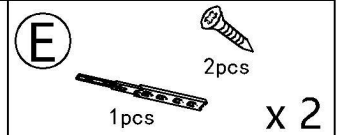
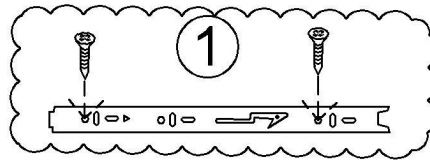
The rail fixing screws can be installed according to the customer's needs

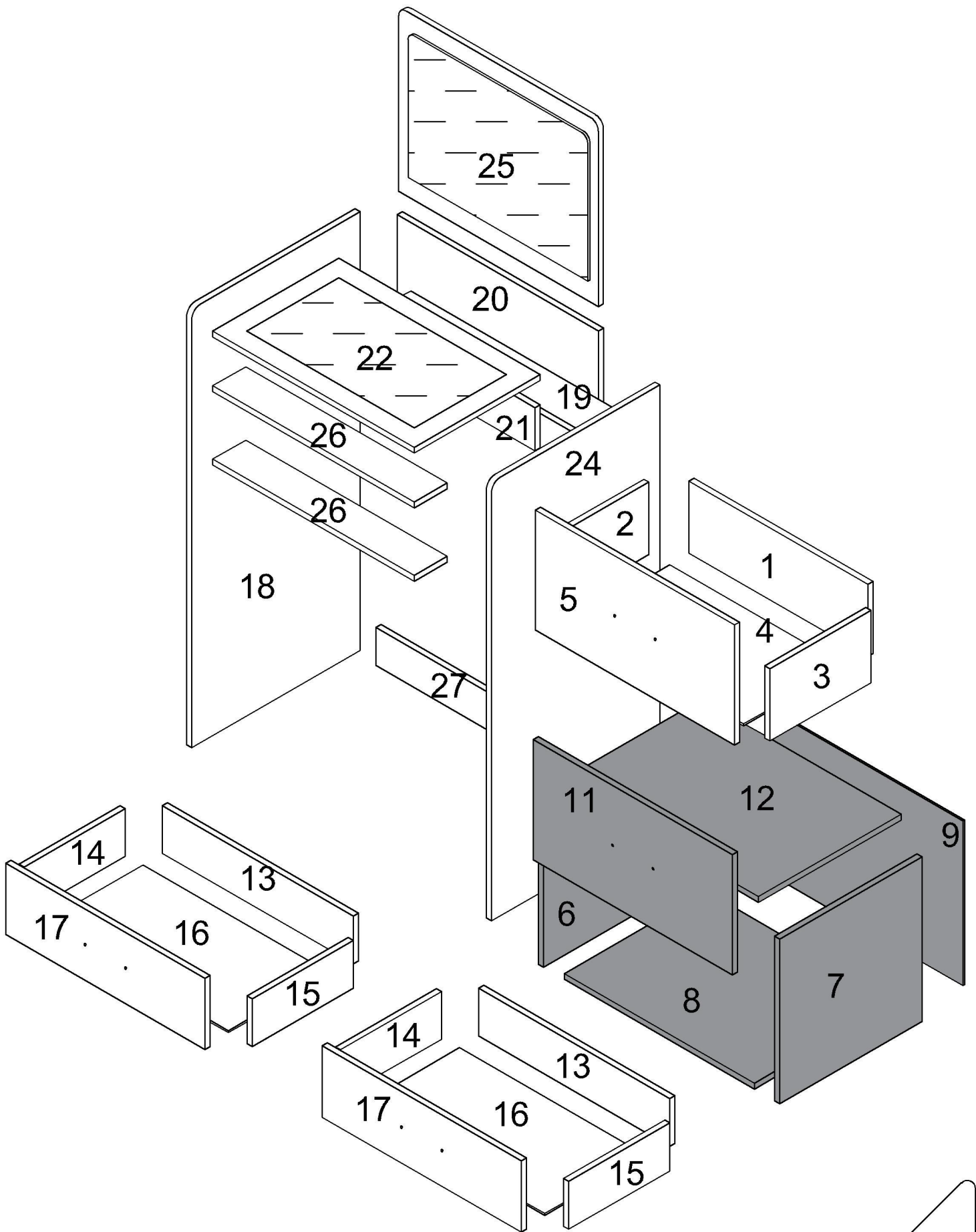
# Step 12

x2

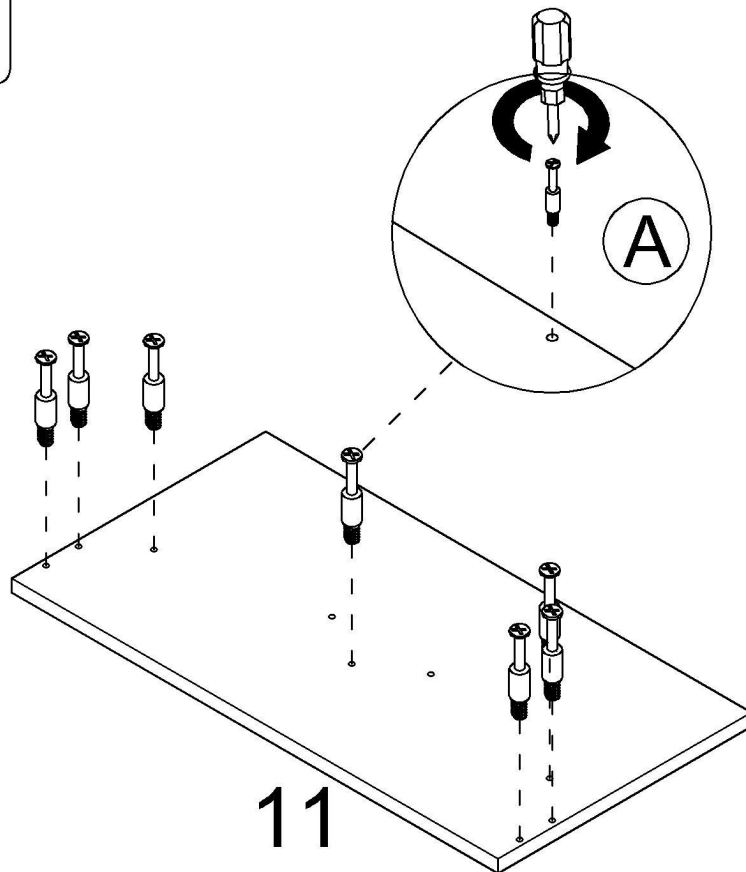
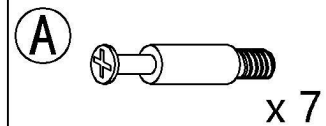


# Step 13

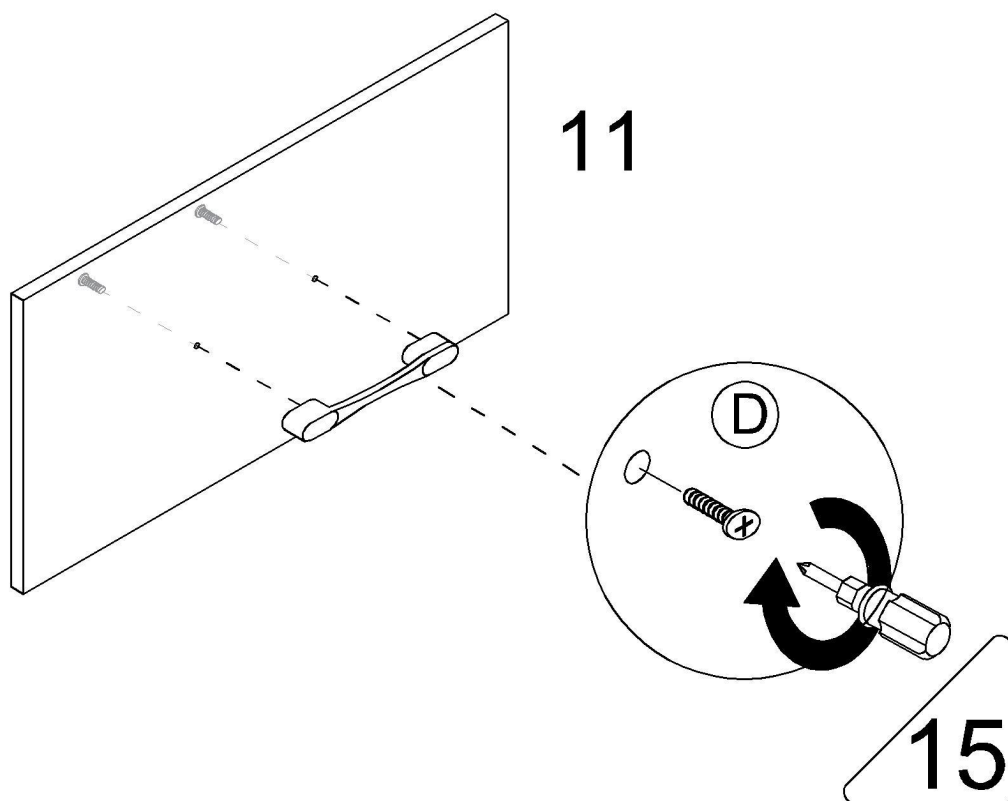
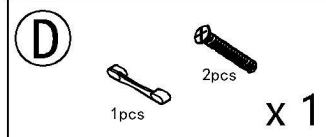




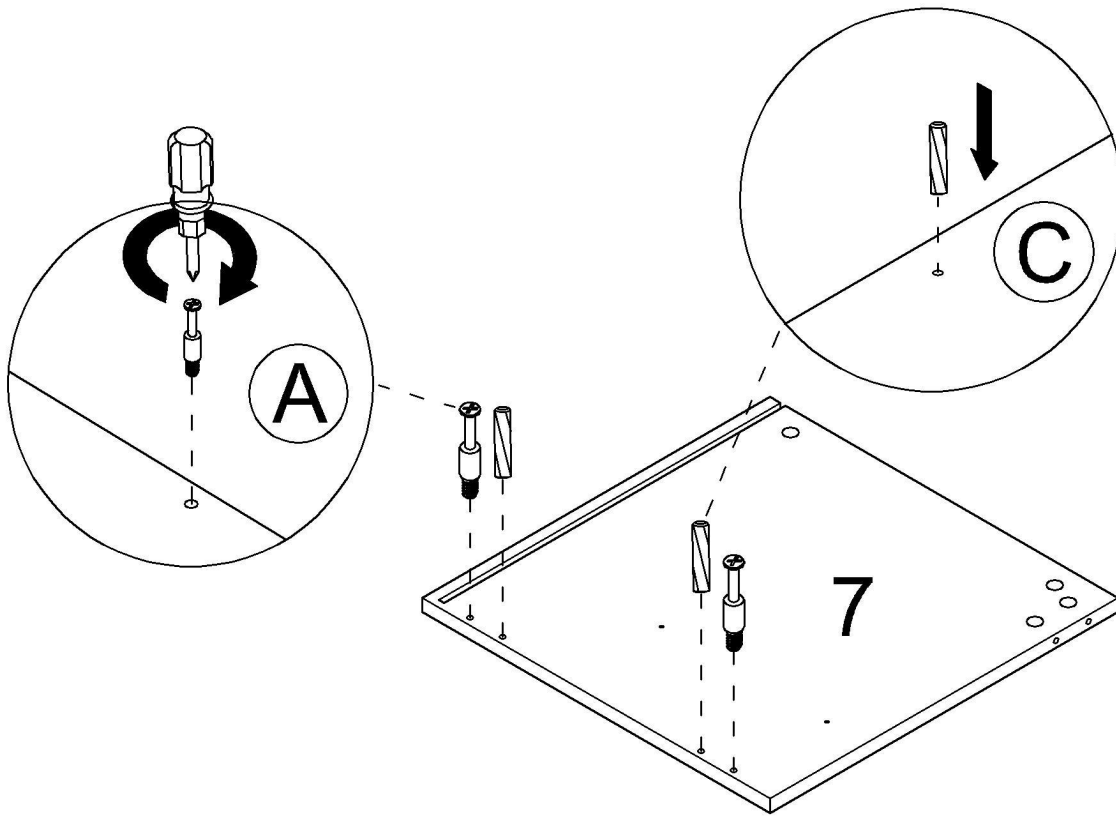
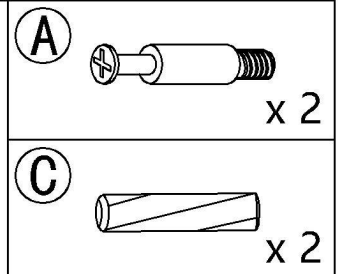
# Step 14



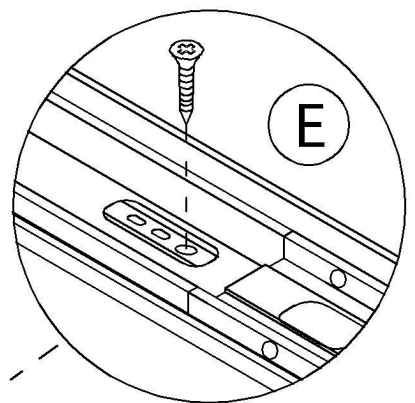
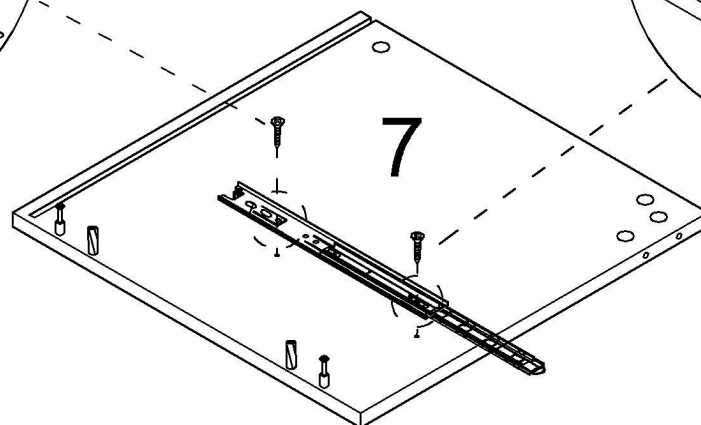
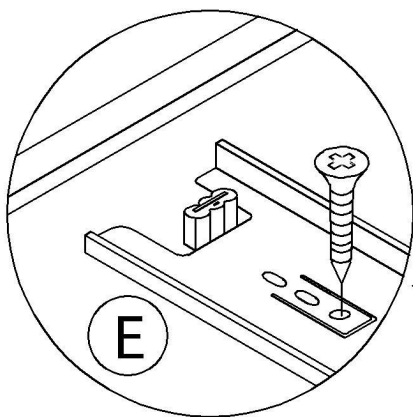
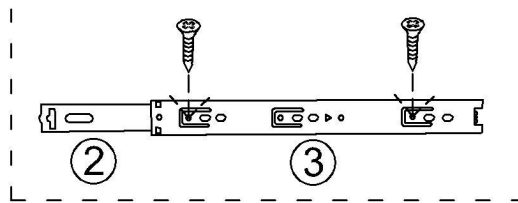
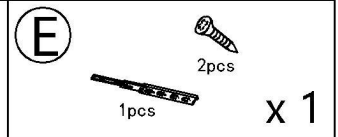
# Step 15





# Step 16

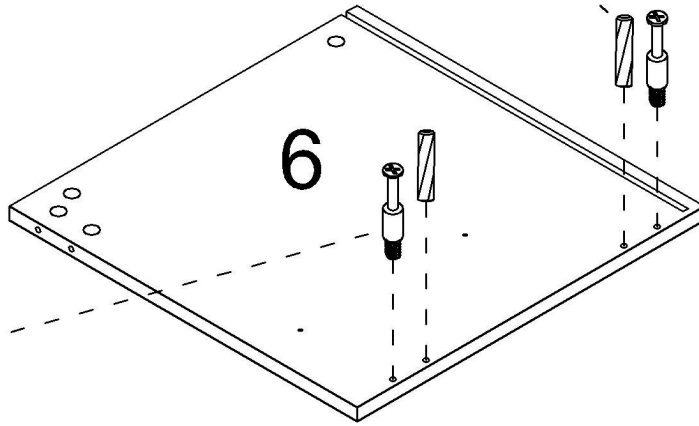
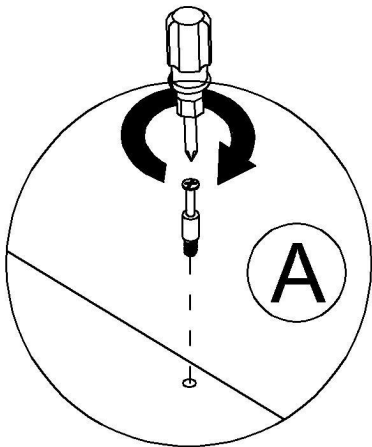
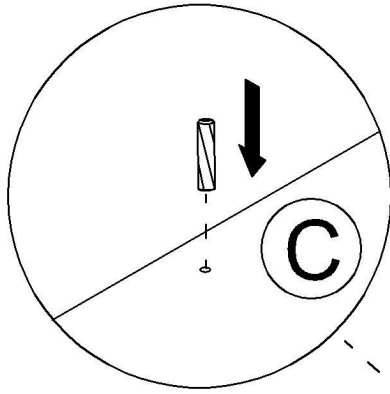


# Step 17

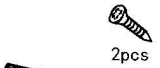



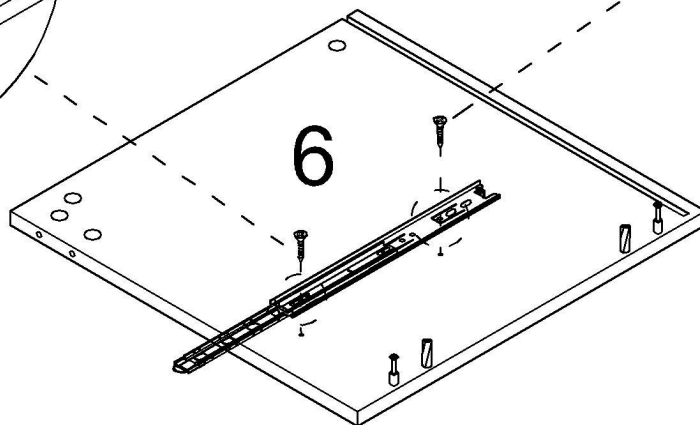
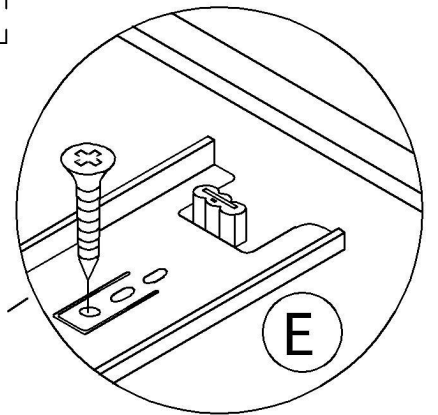
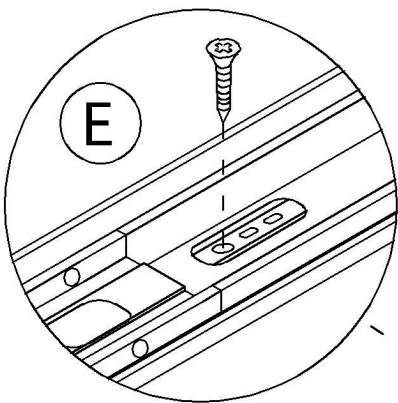
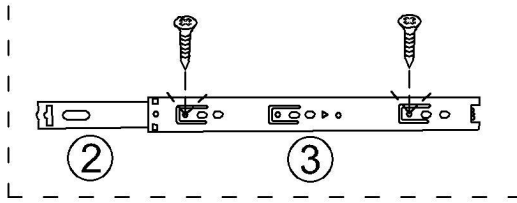
# Step 18

- (A)  x 2
- (C)  x 2



# Step 19

- (E)  2pcs  
 1pcs x 1

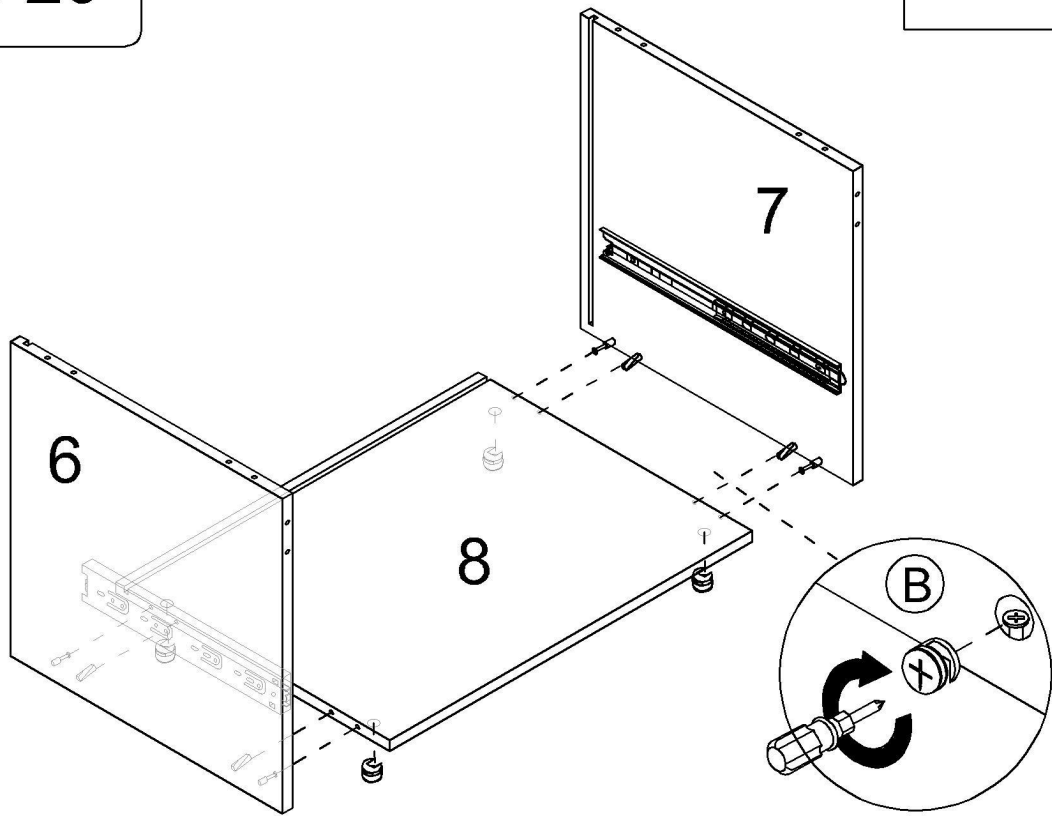


# Step 20

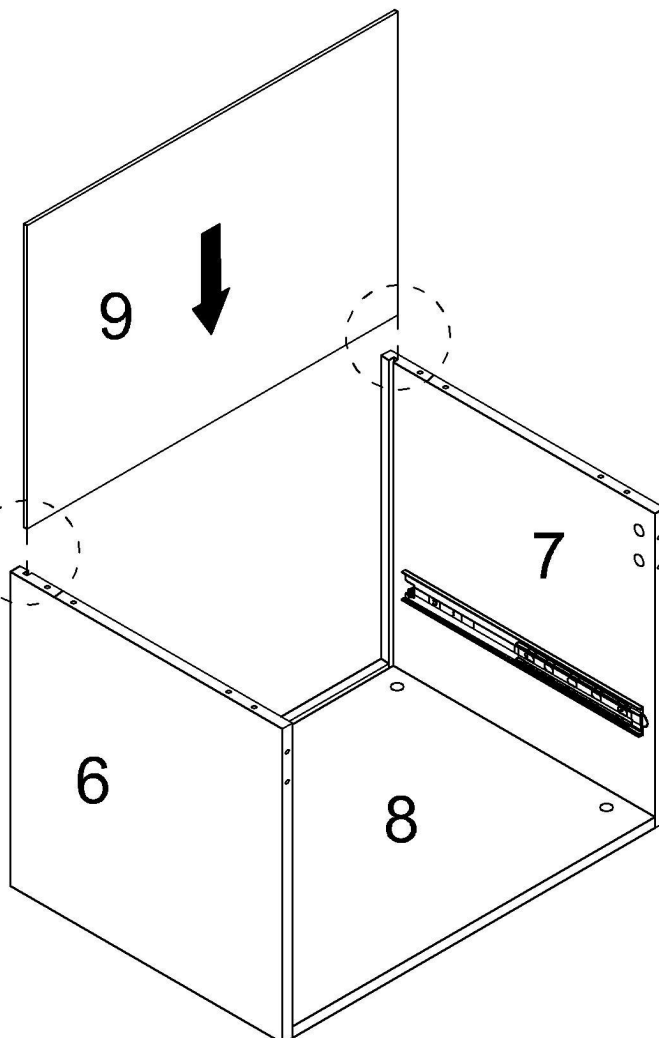
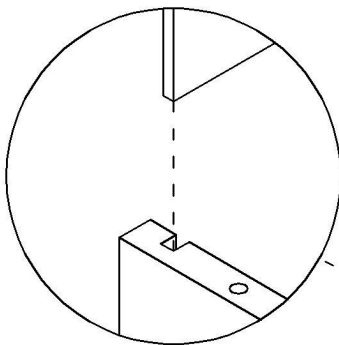
(B)



x 4



# Step 21

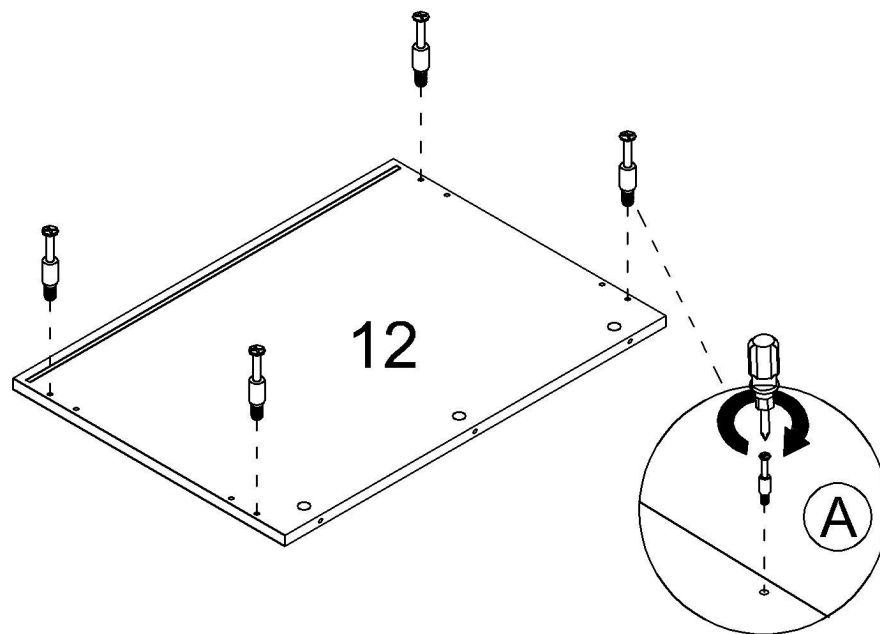


# Step 22

A

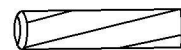


x 4

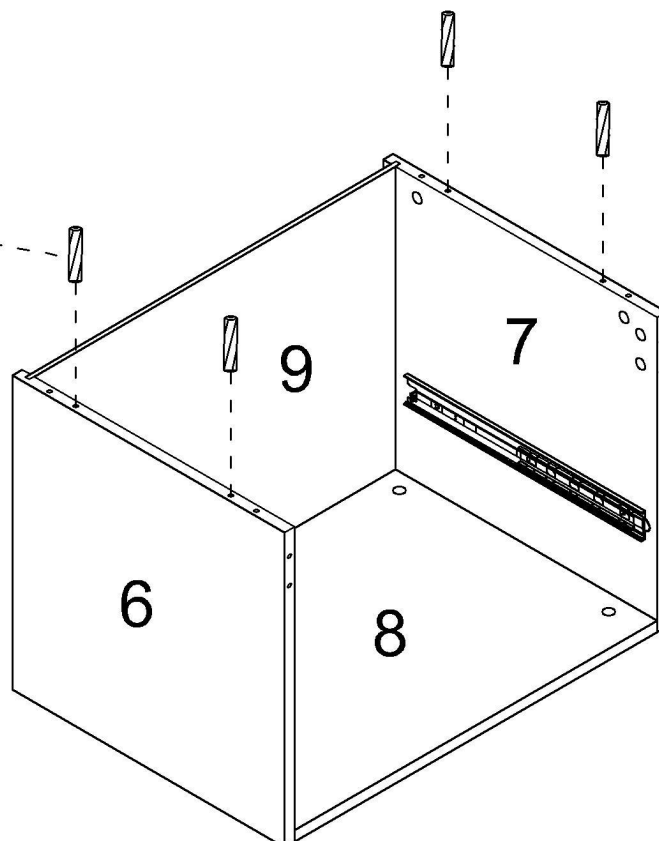
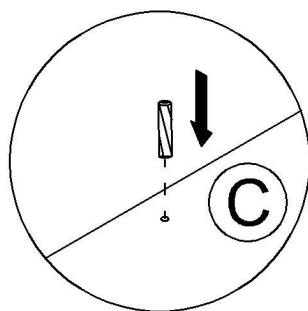


# Step 23

C

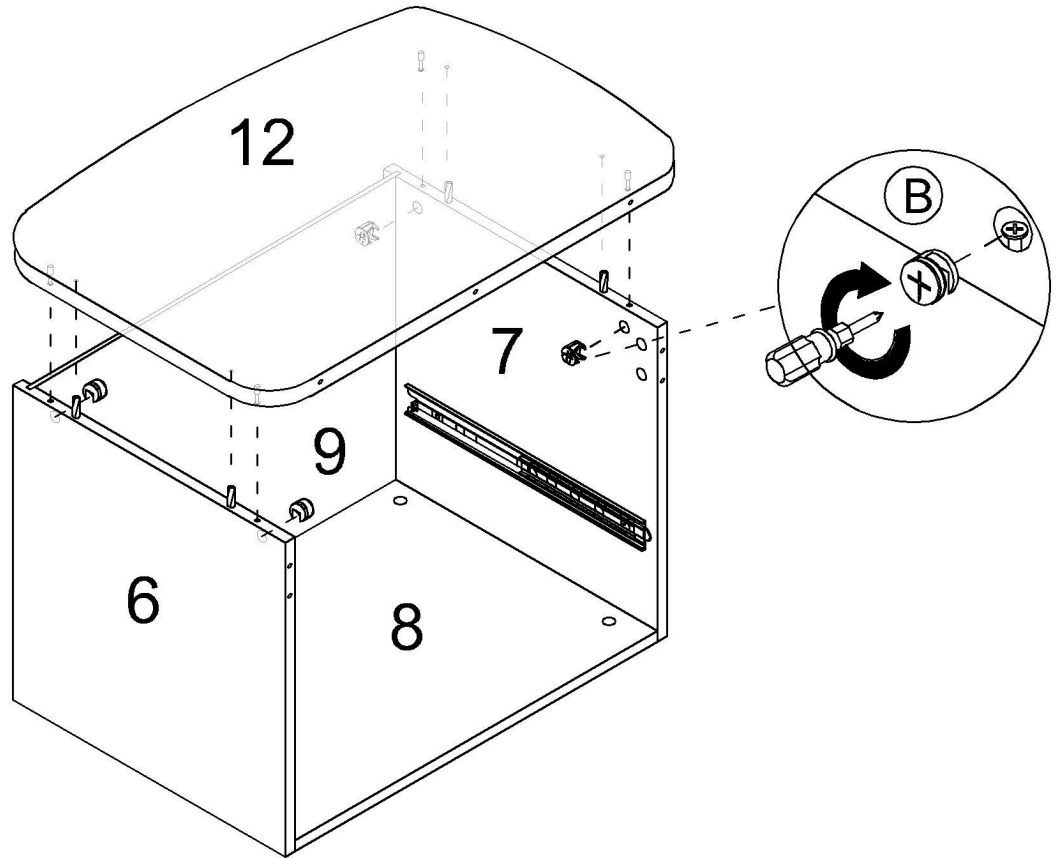


x 4



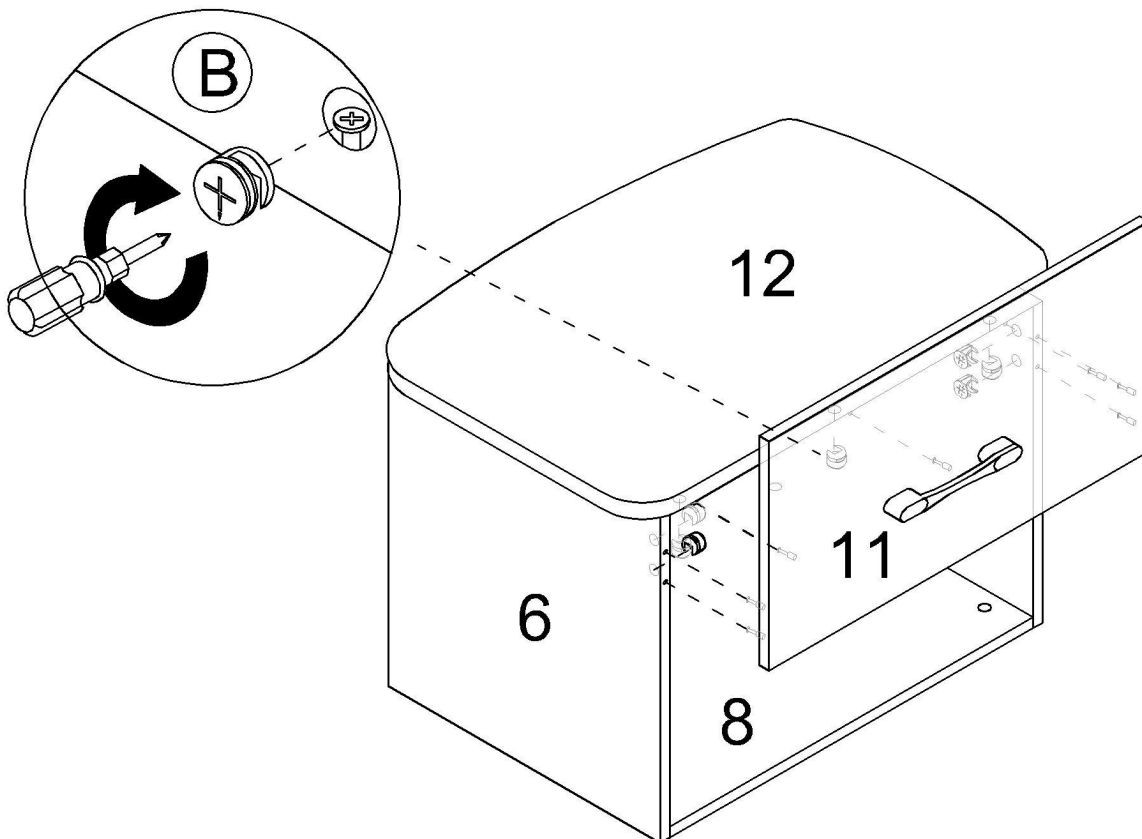
# Step 24

**B**  x 4



# Step 25

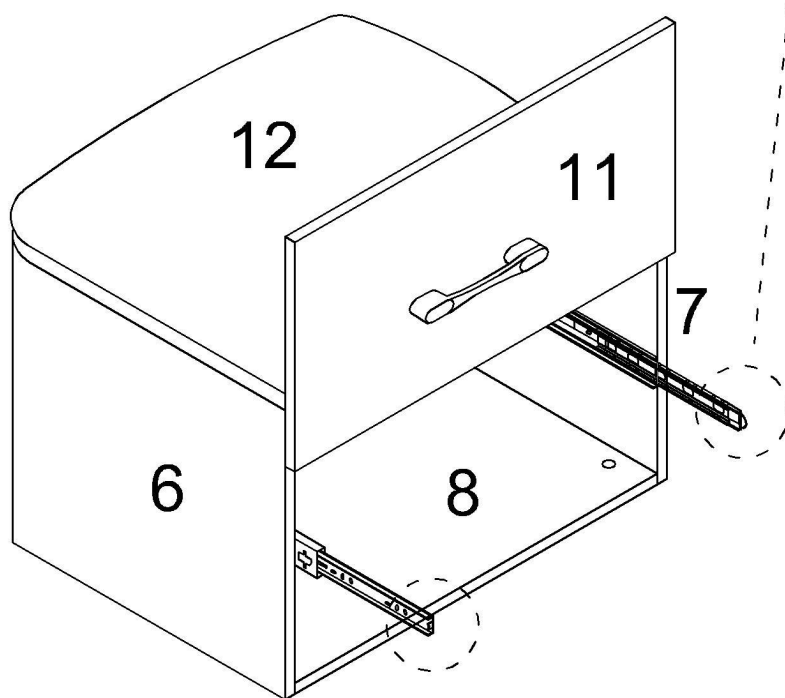
**B**  x 7



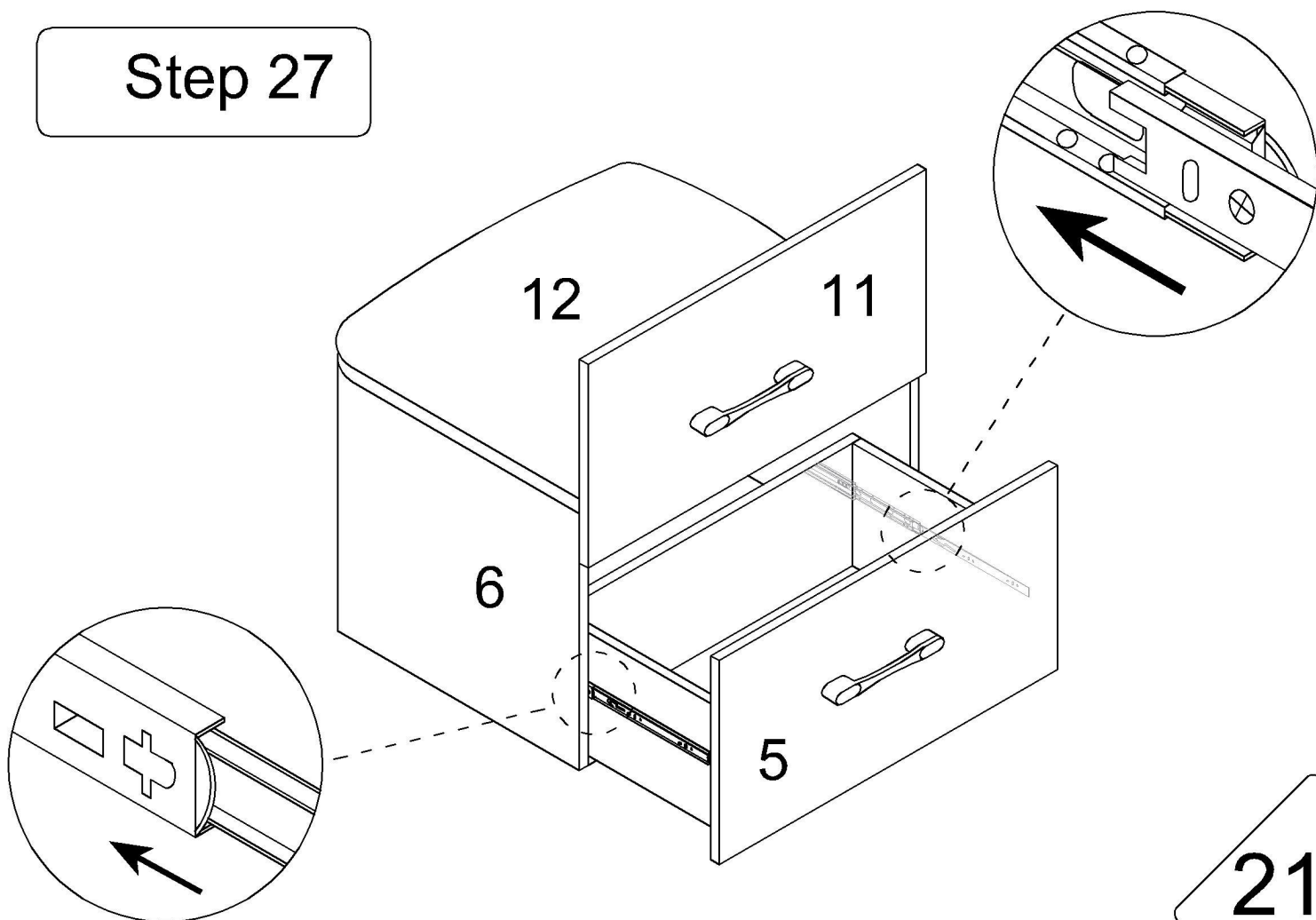
## Step 26



As shown, When installing the drawer, pull the guide rail out first, Slide beads are also pulled out.



## Step 27



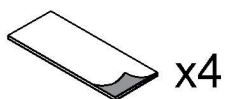
# Step 28

F



x 4

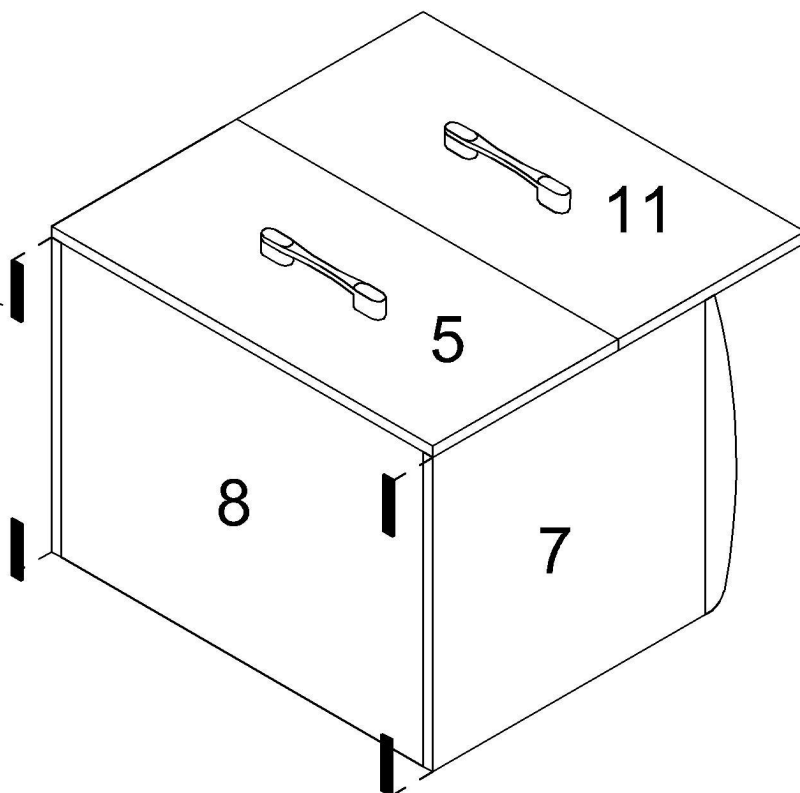
F



x4

Tear off release paper and stick the black foot pad on the board

Stick two T accessories on the bottom board

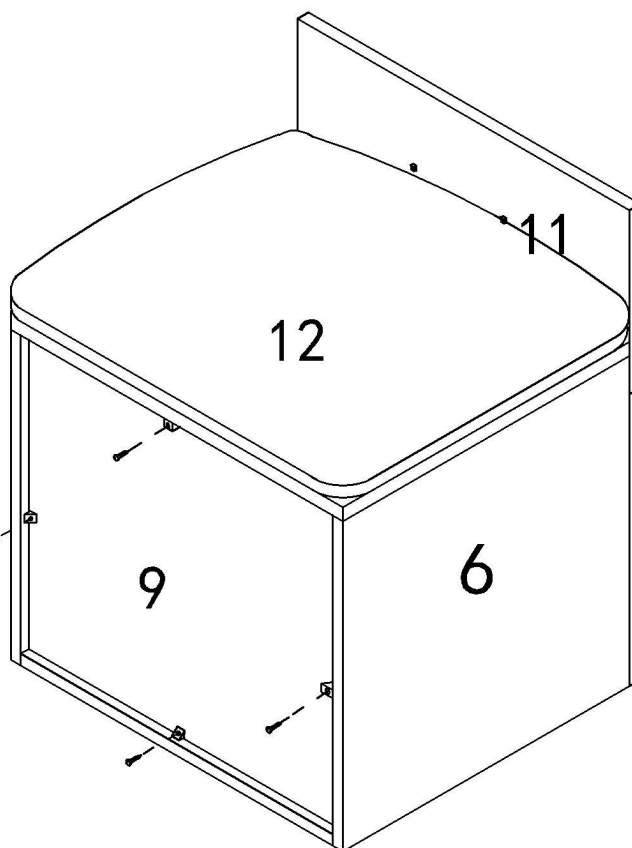
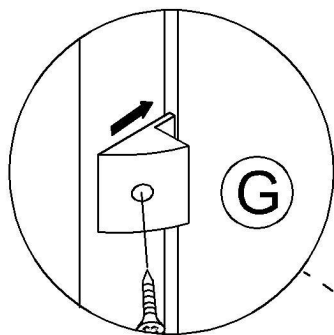


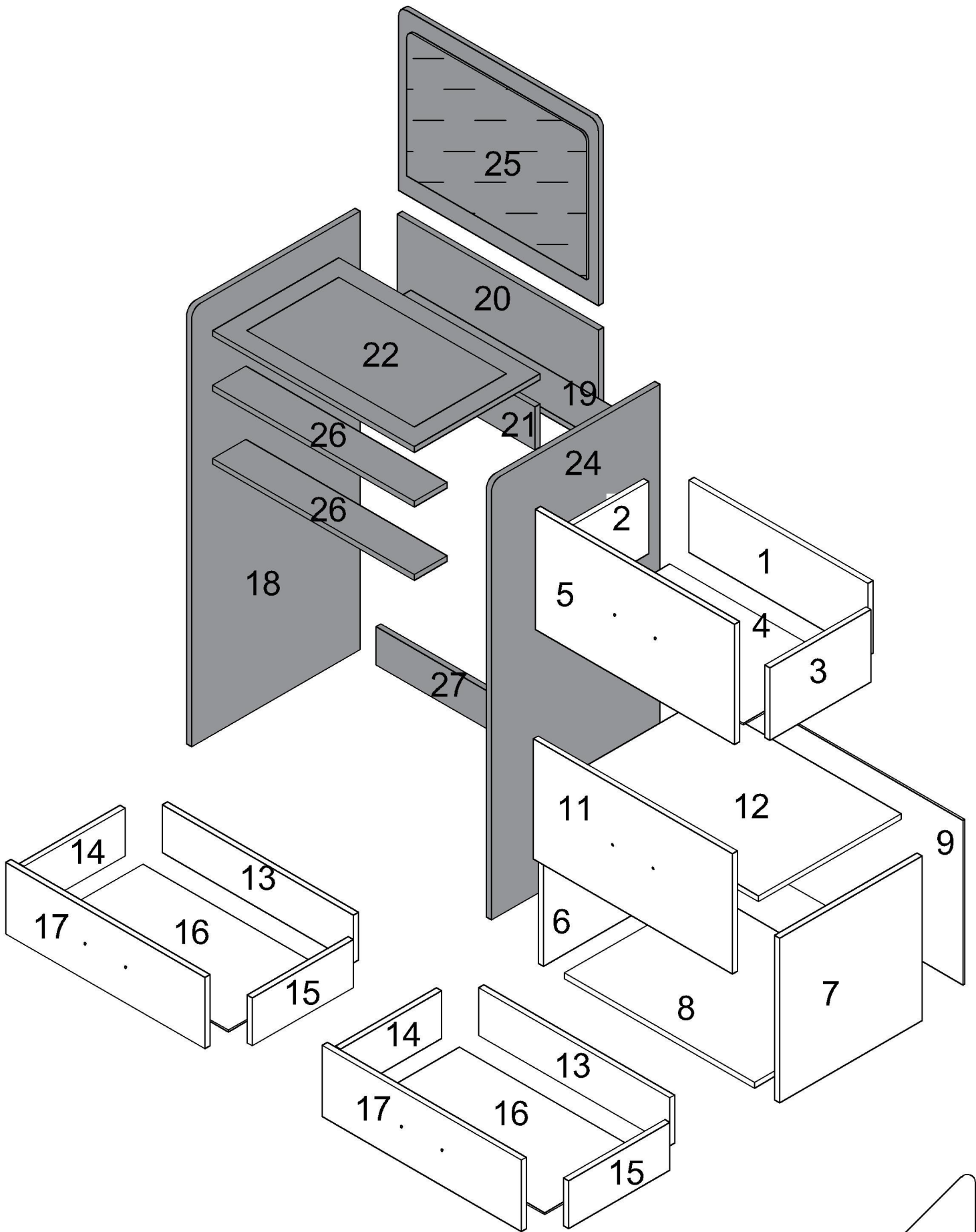
# Step 29

G

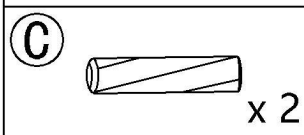
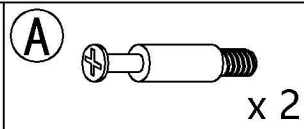
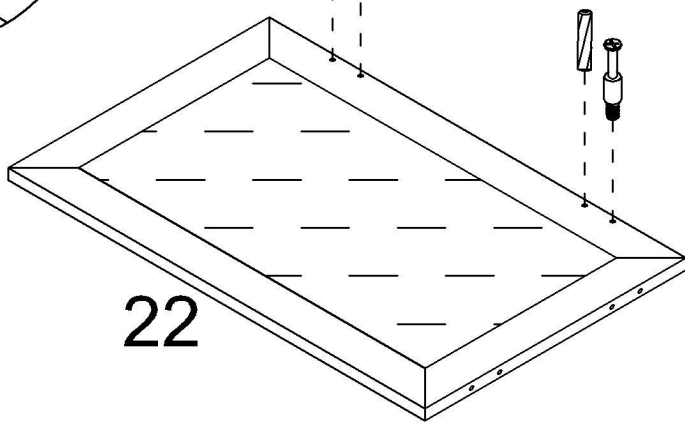
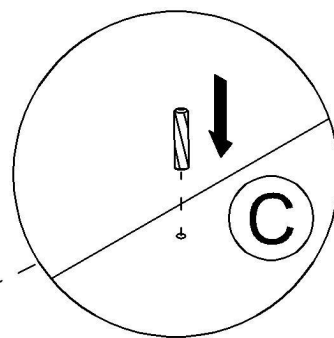
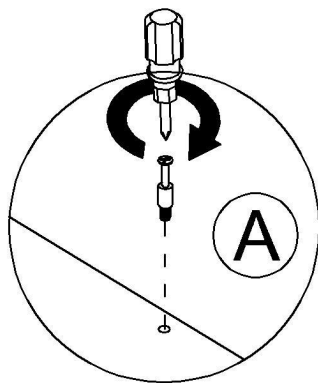


x 4

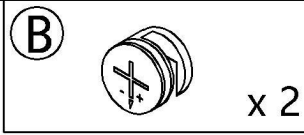
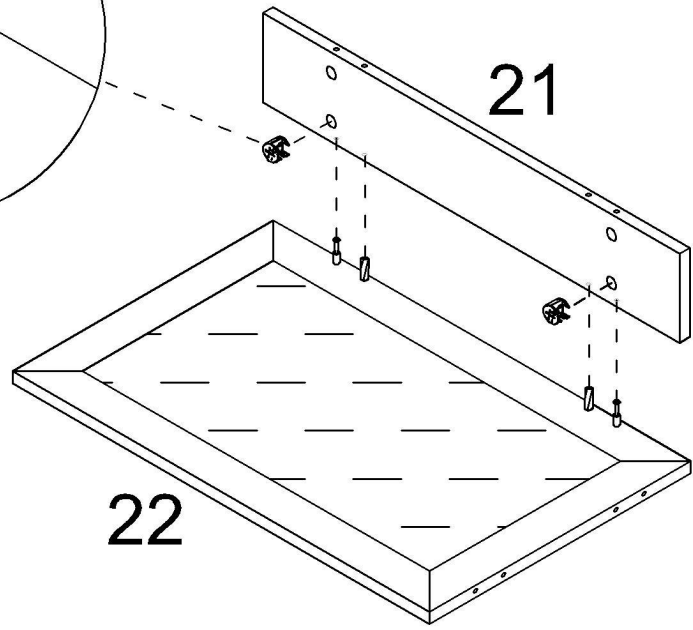
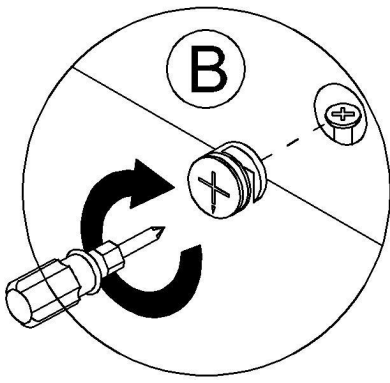




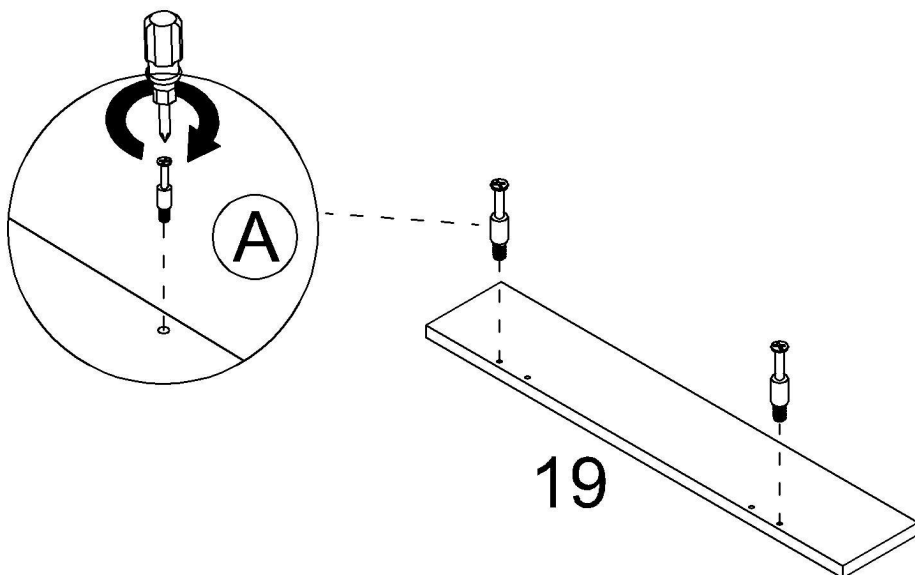
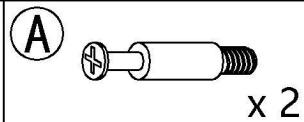
# Step 30



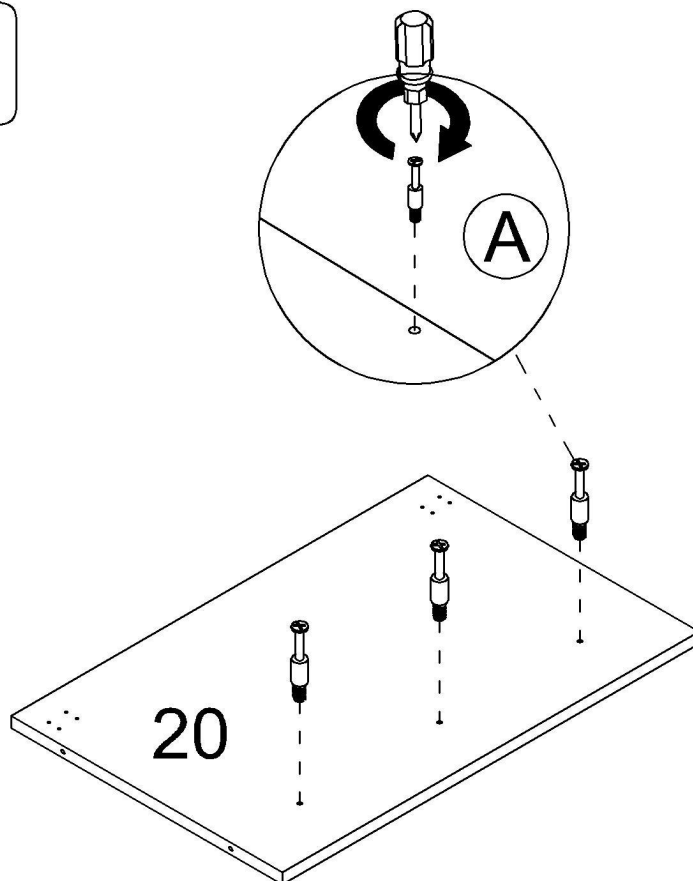
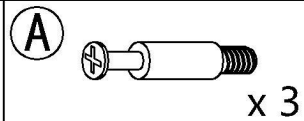
# Step 31



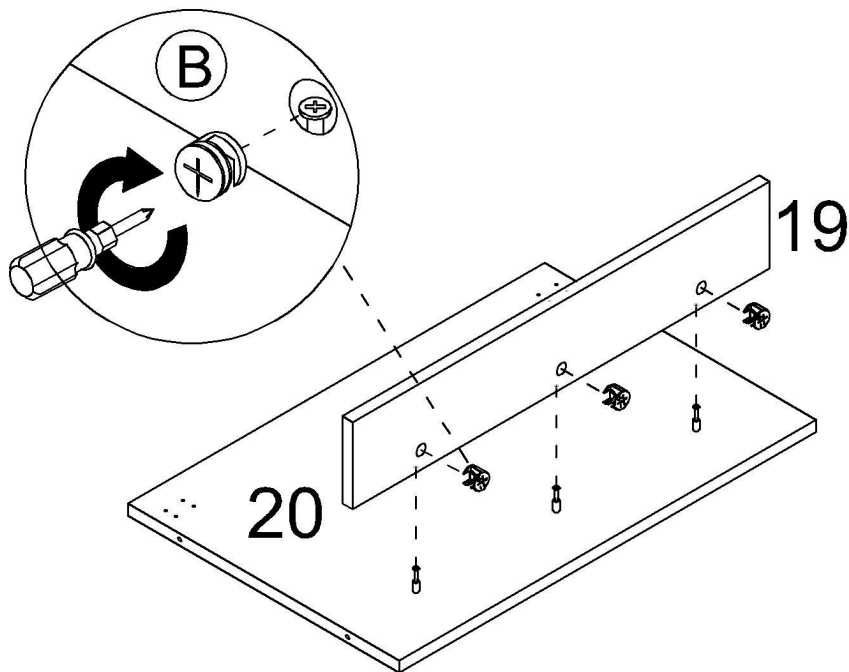
# Step 32



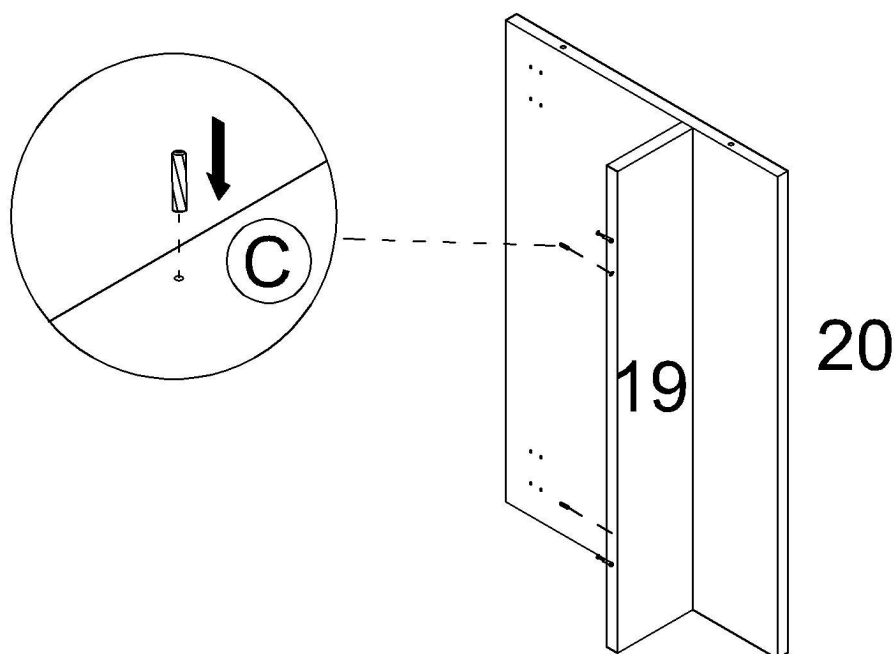
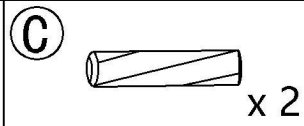
# Step 33



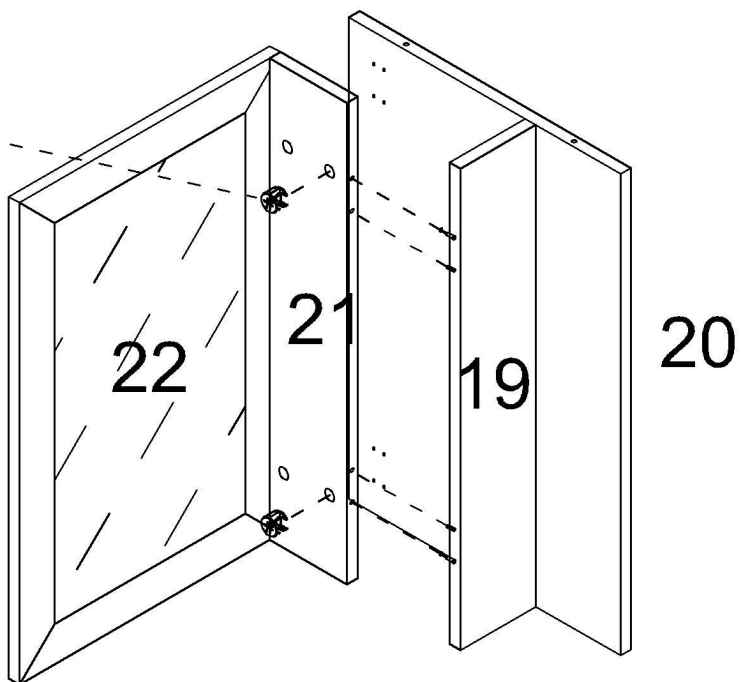
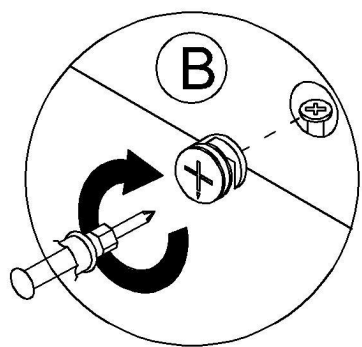
# Step 34



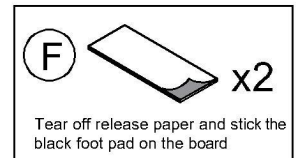
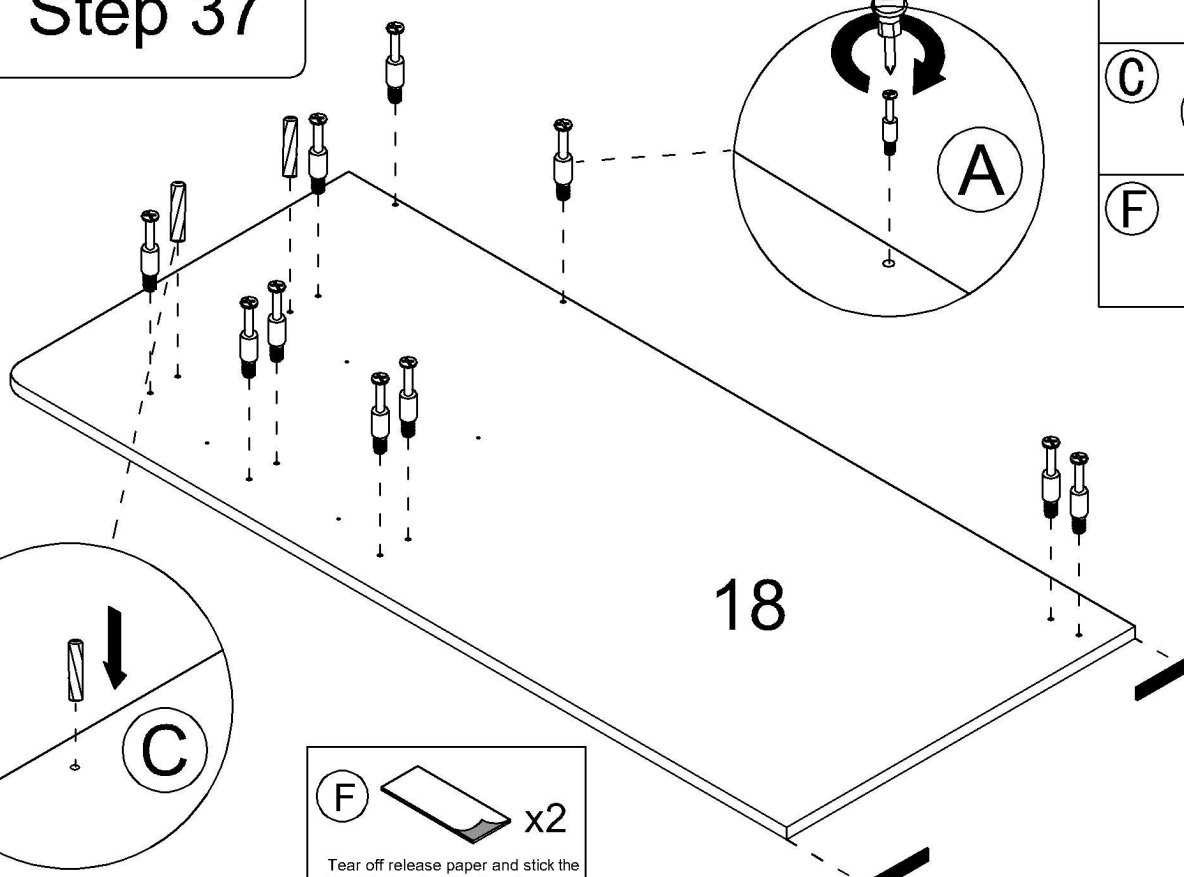
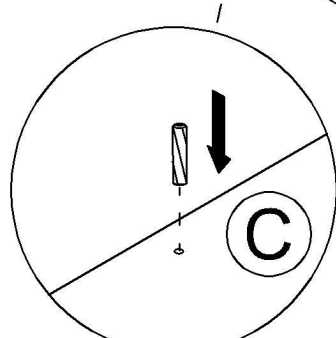
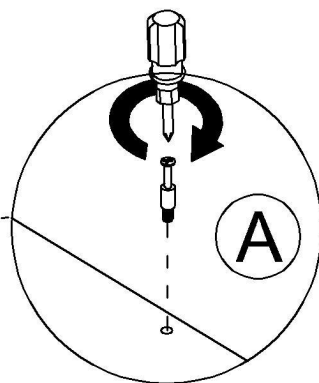
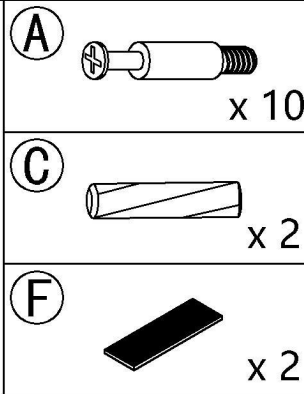
# Step 35



# Step 36

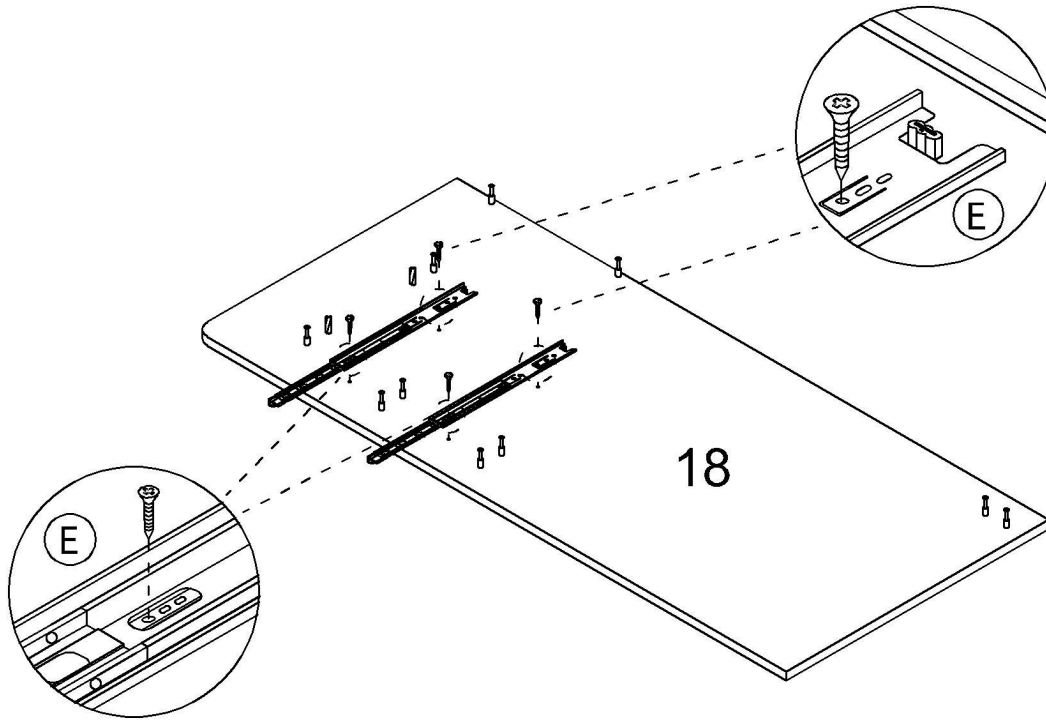
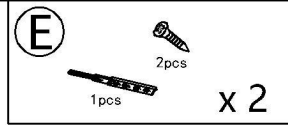
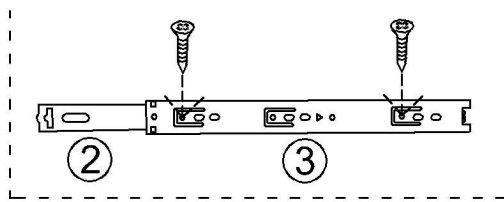


# Step 37

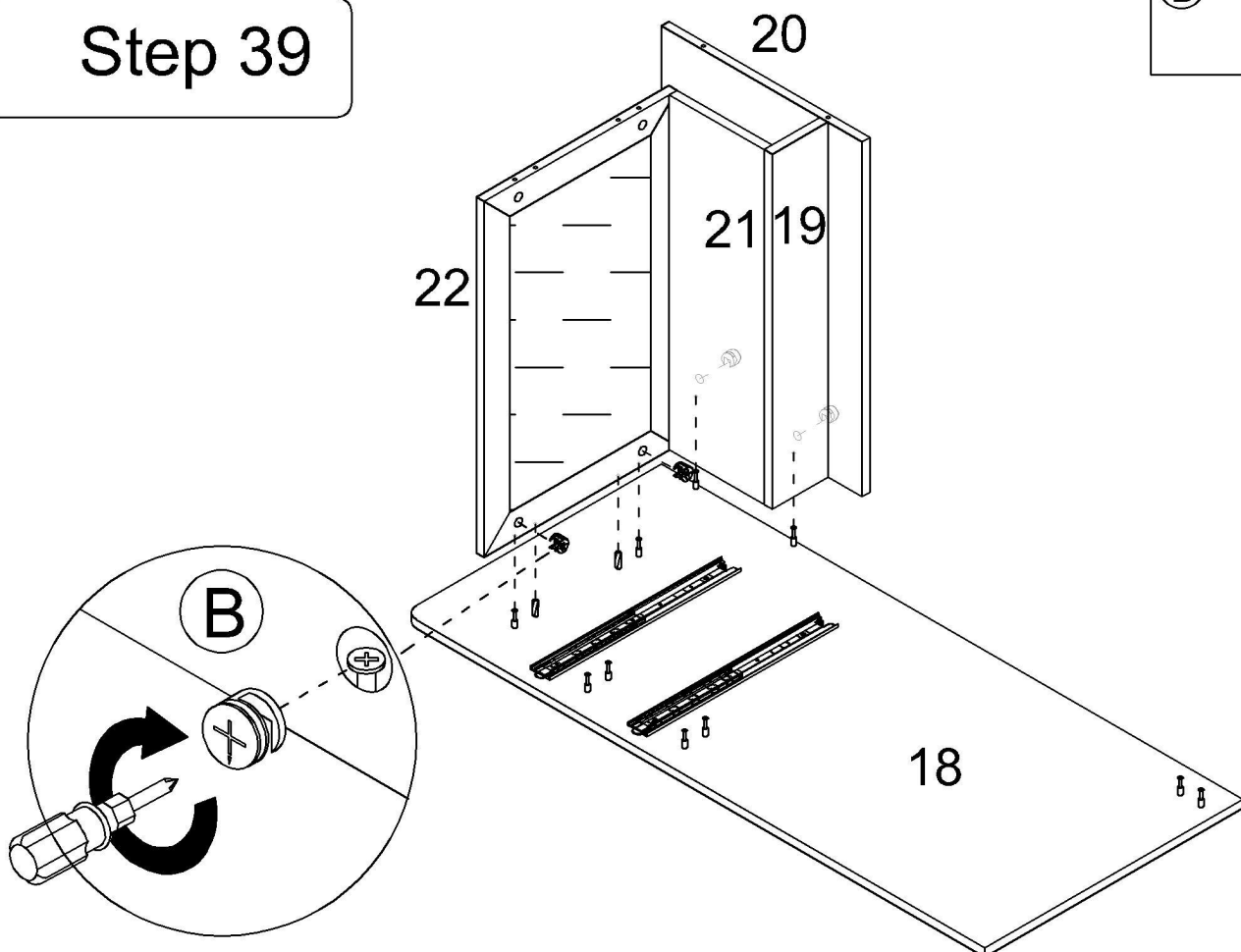


Stick two T accessories on the bottom board

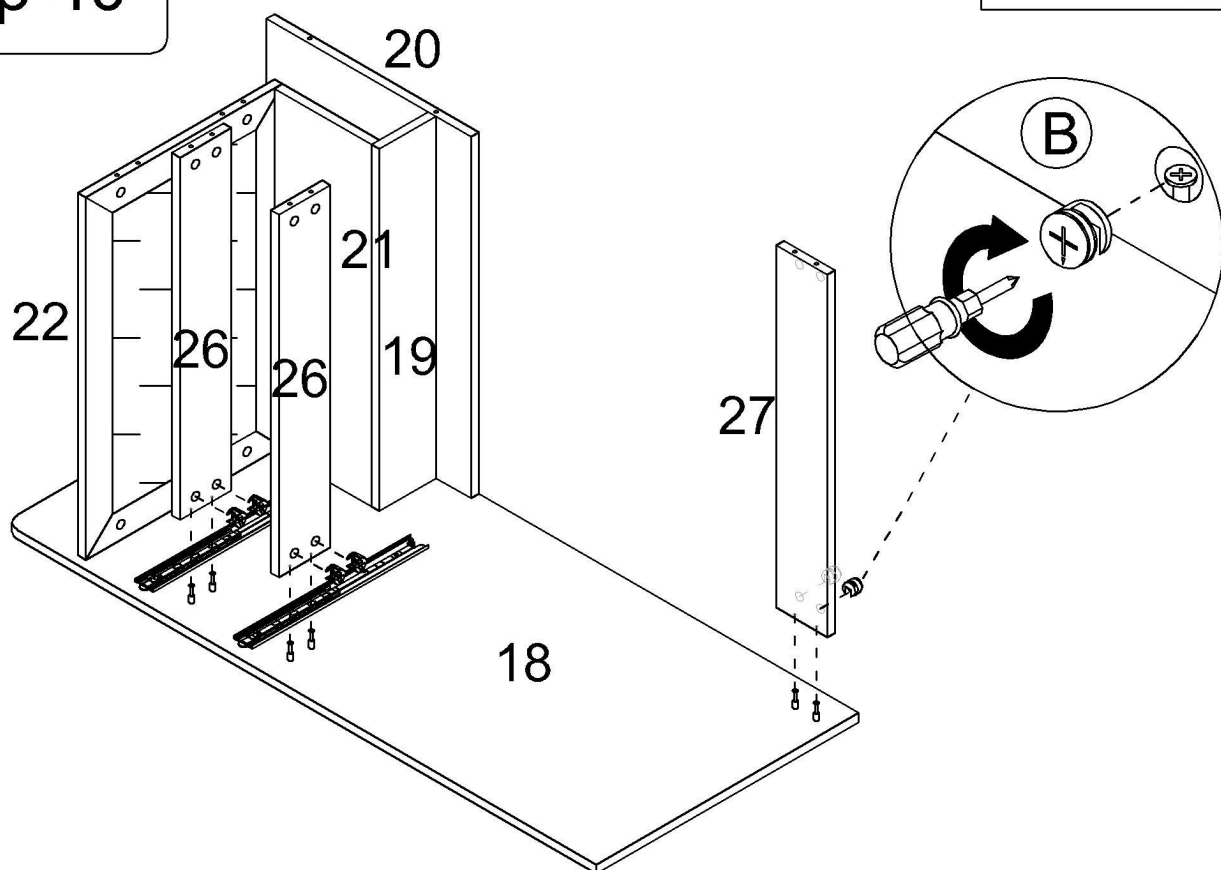
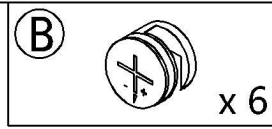
# Step 38



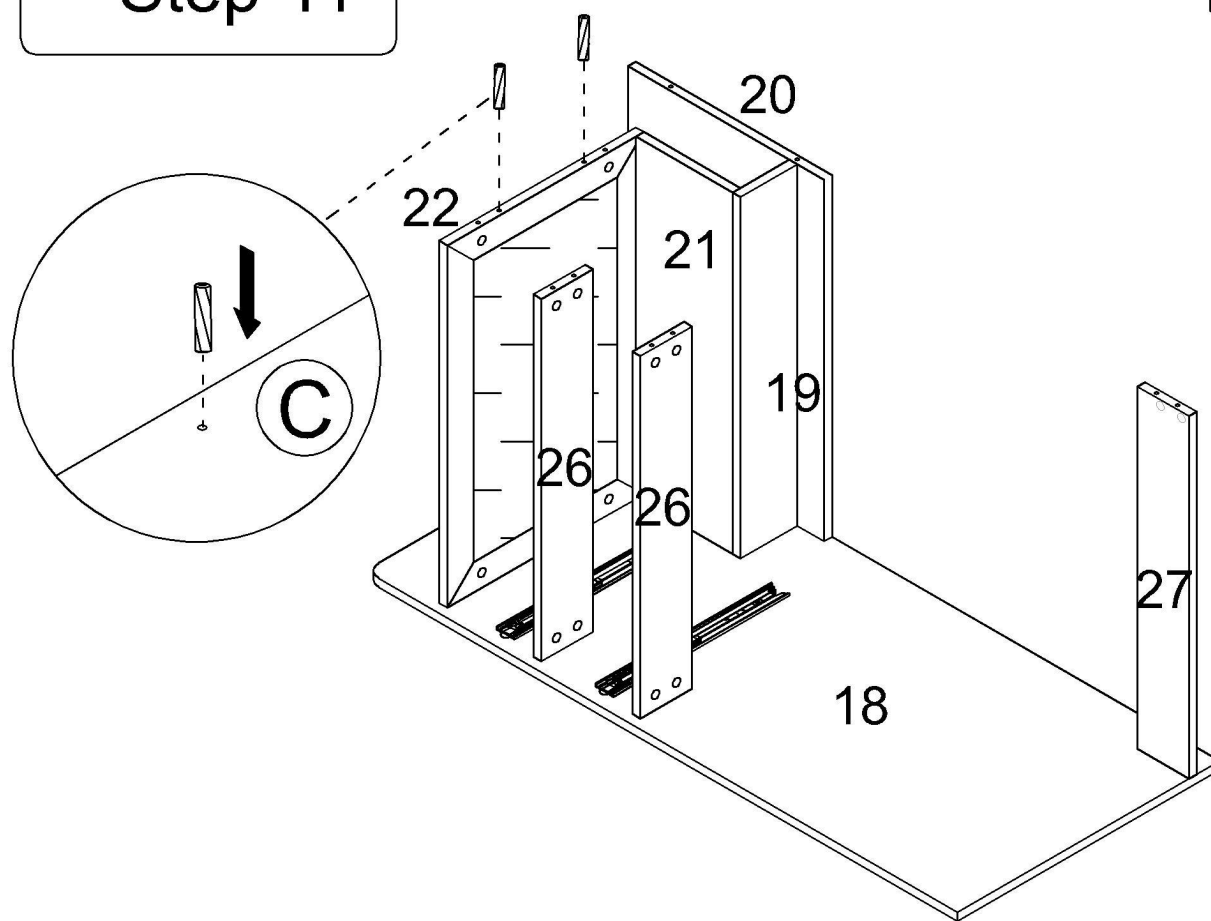
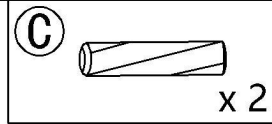
# Step 39



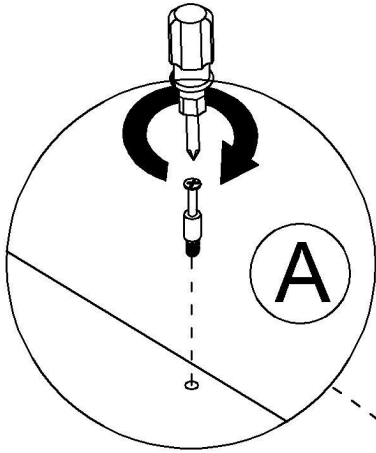
# Step 40

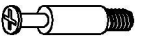



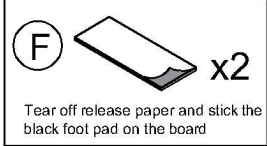
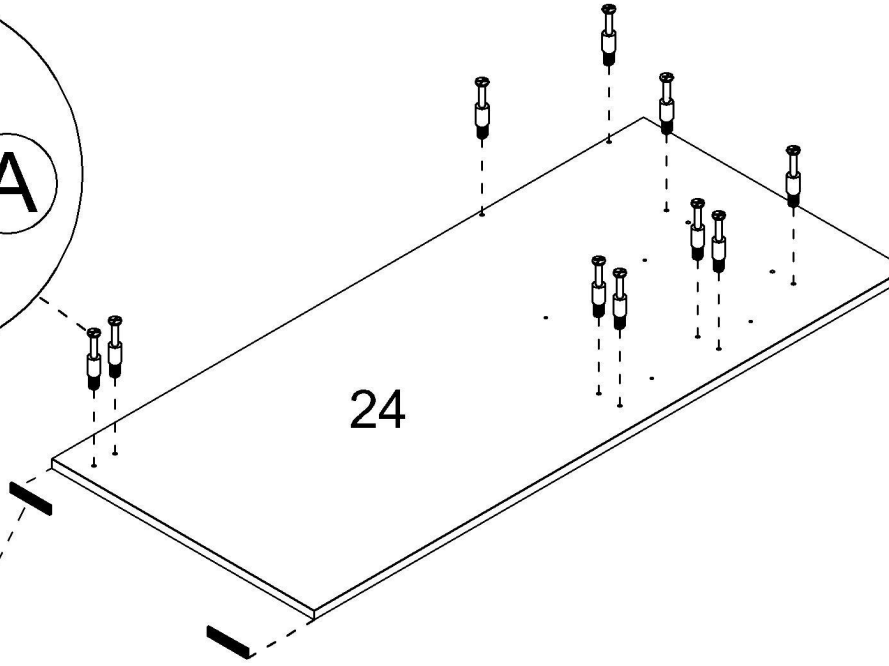
# Step 41



# Step 42

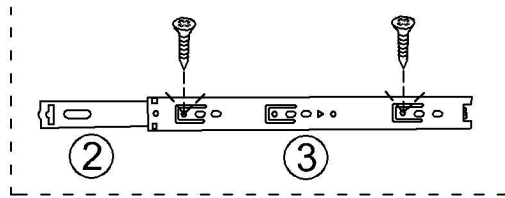


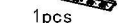

- (A)  x 10
- (F)  x 2

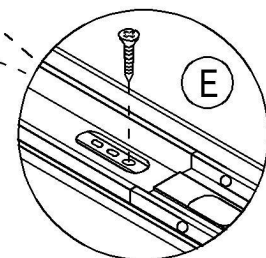
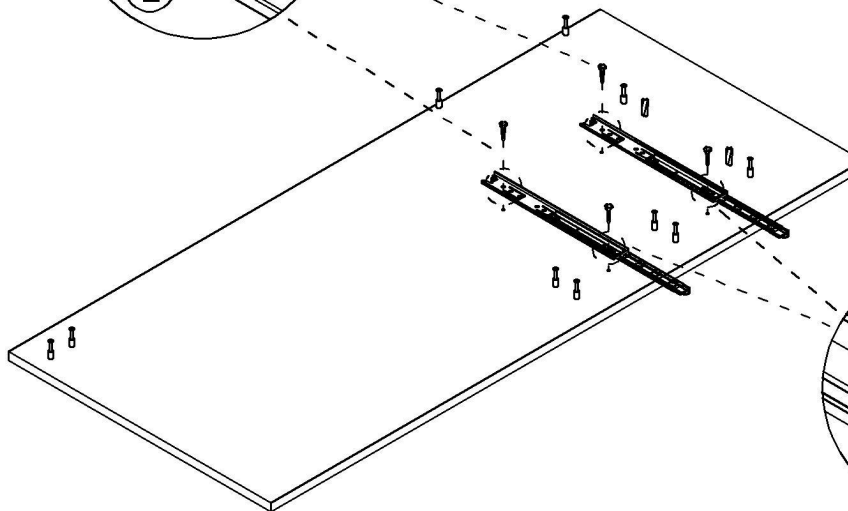
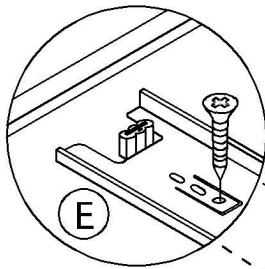


Stick two T accessories on the bottom board


# Step 43

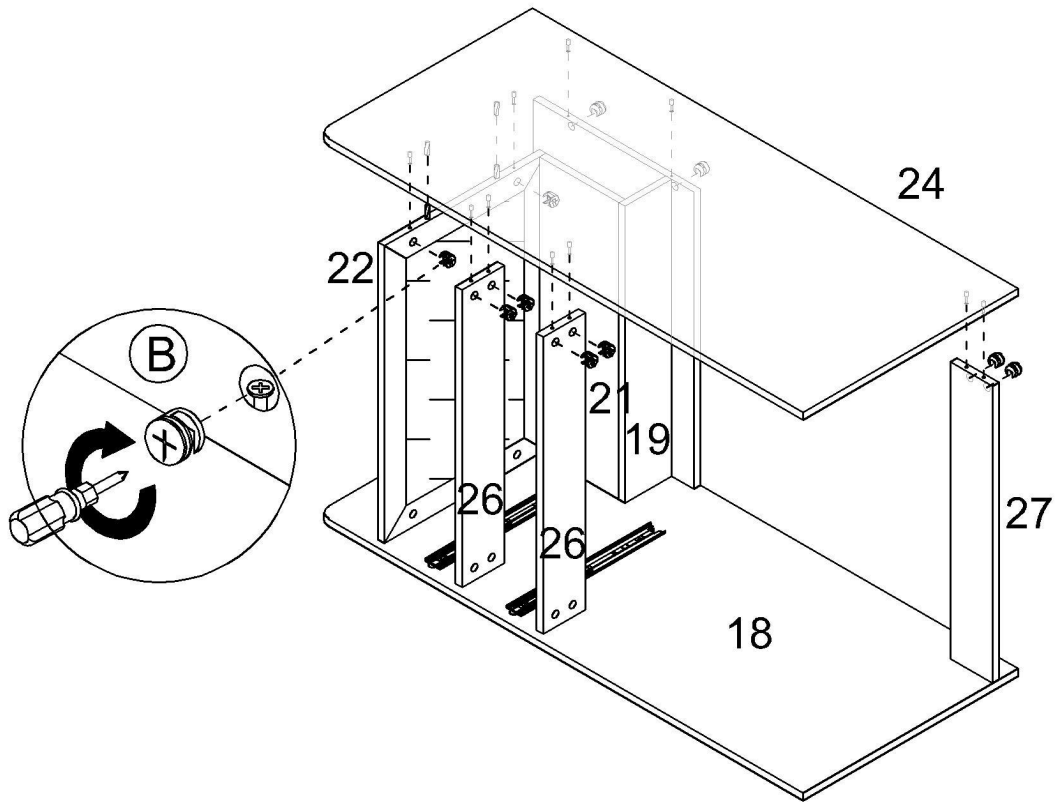


- (E)  1pcs  
 2pcs x 2



# Step 44

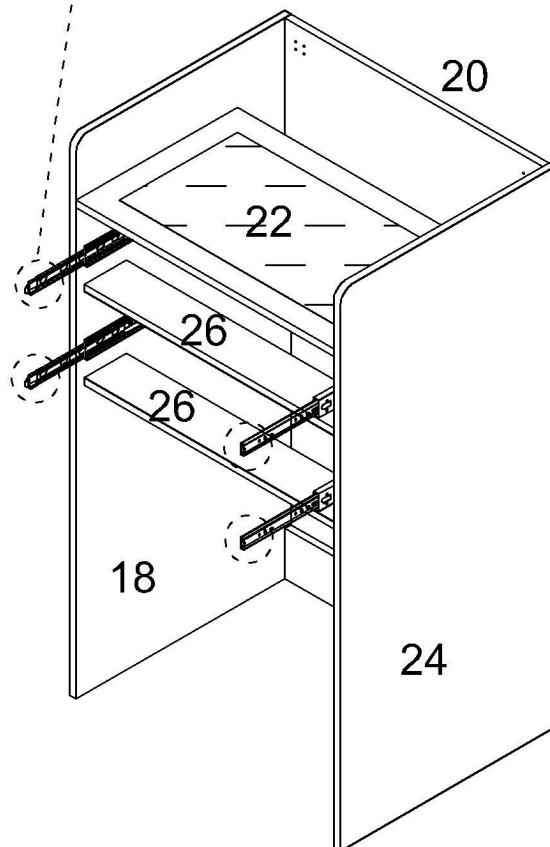
(B)  x 10



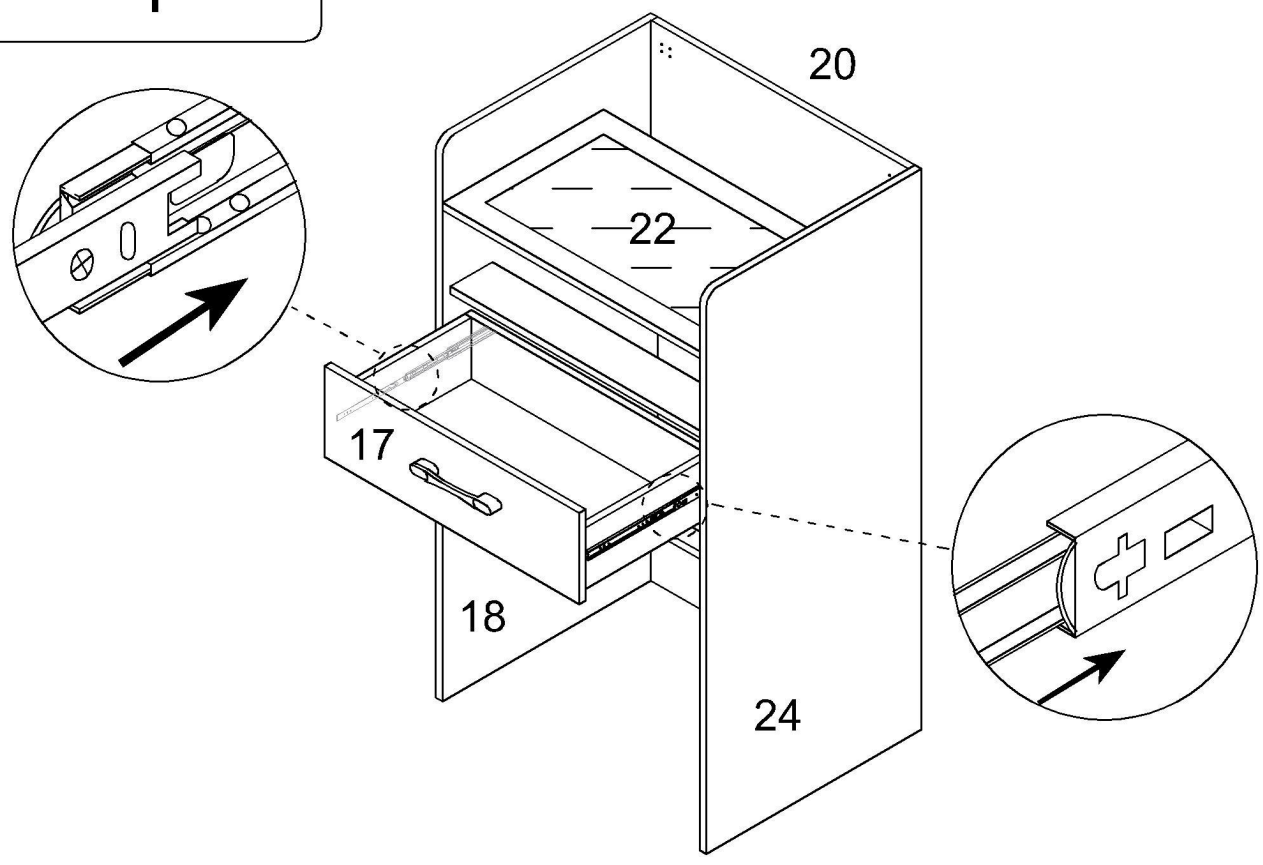
# Step 45



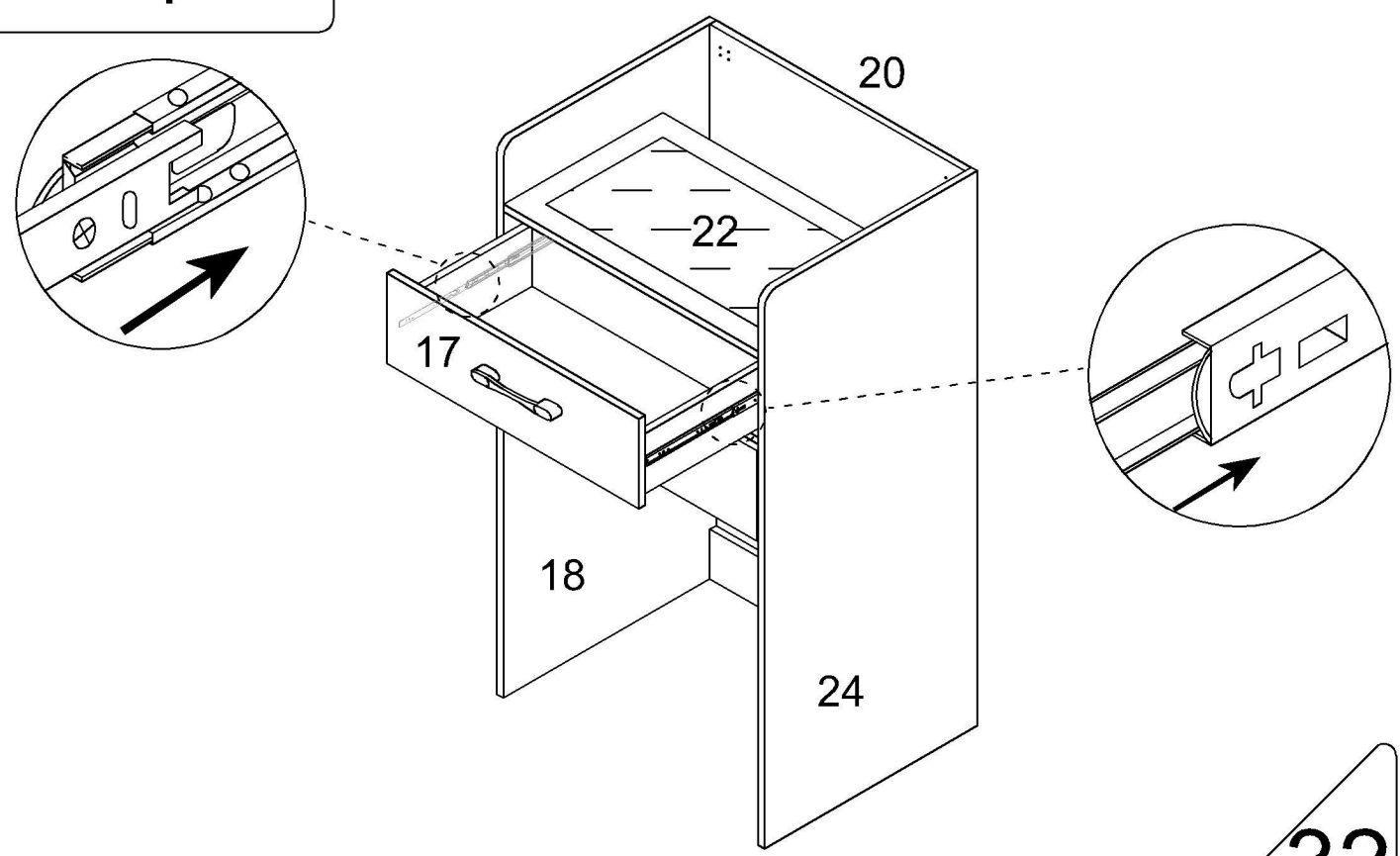
As shown, When installing the drawer, pull the guide rail out first, Slide beads are also pulled out.



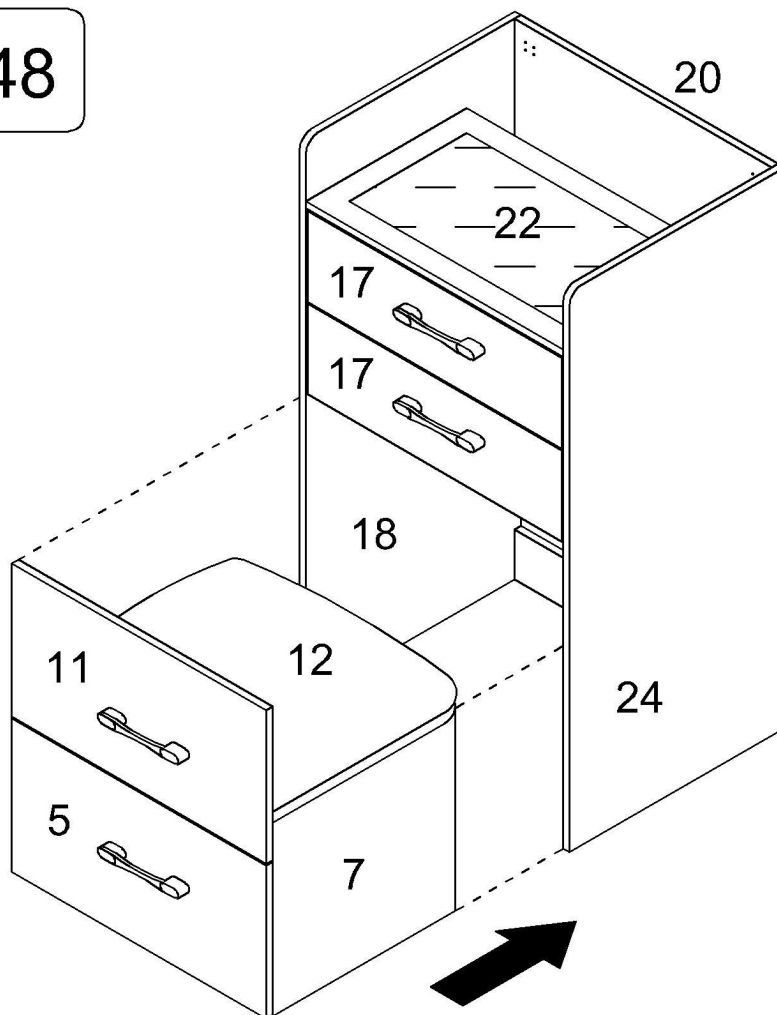
# Step46



# Step 47

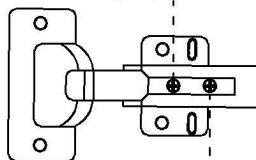


# Step 48

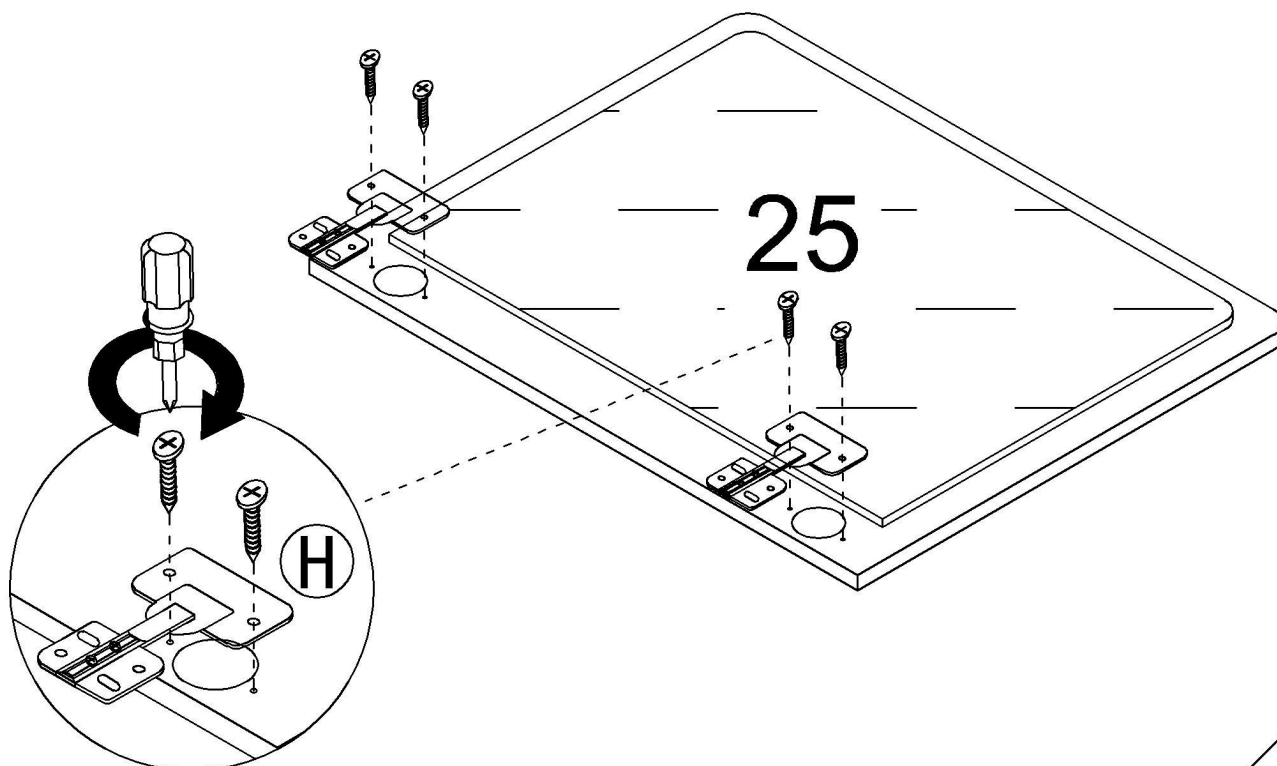
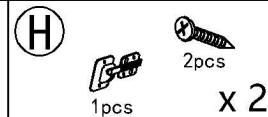


# Step 49

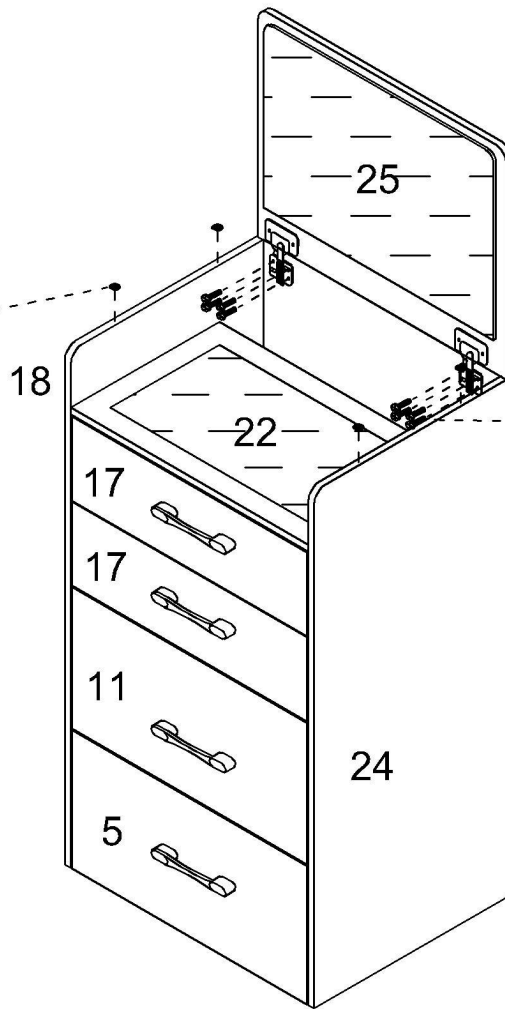
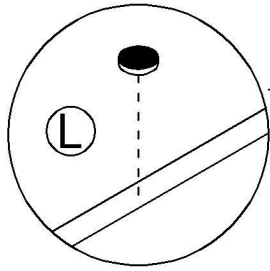
Turning this screw can effectively adjust the size of the door gap.





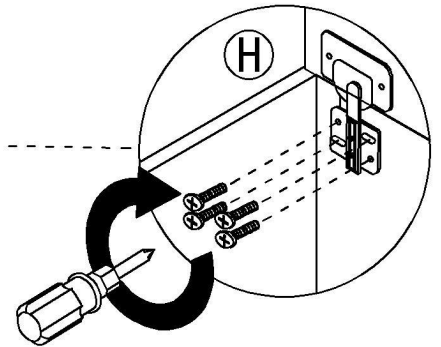
Turn this screw to adjust the doorpanel to be flat with the side panel.



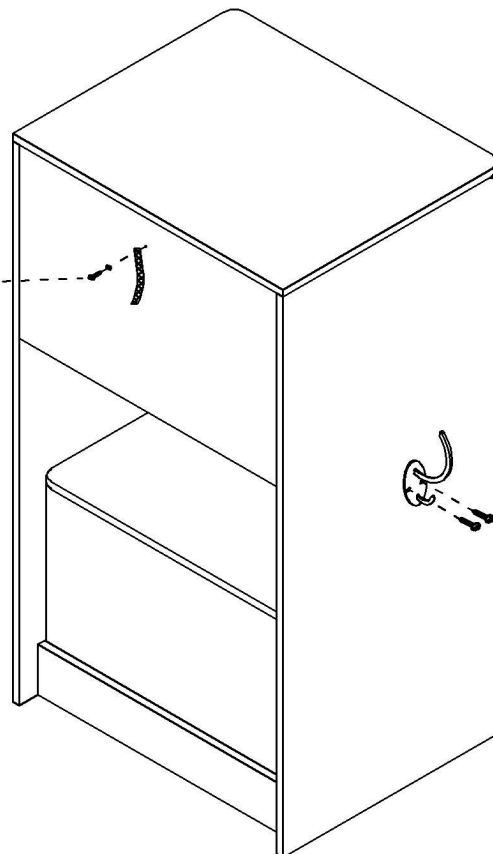
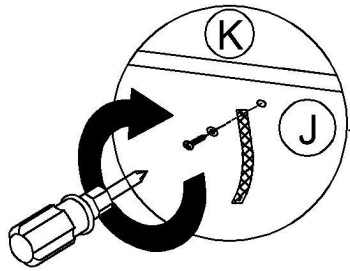
# Step 50






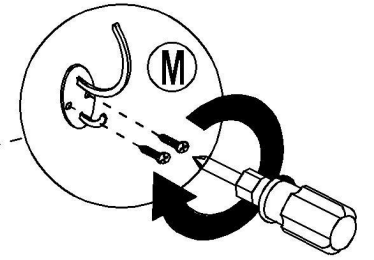
- (H)  4pcs x 2
- (L)  x 4



# Step 51


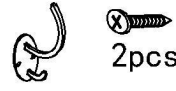
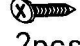


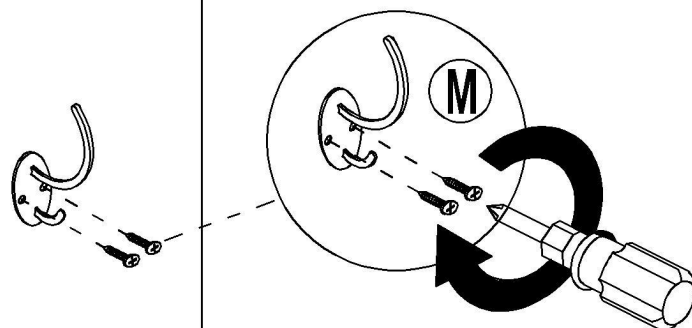
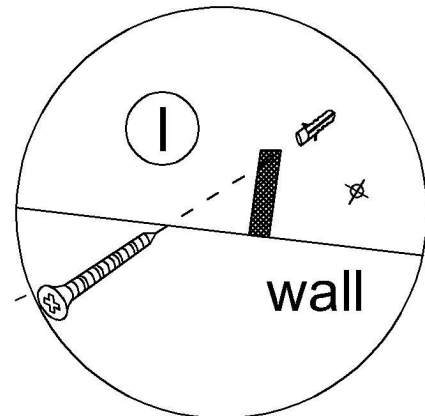
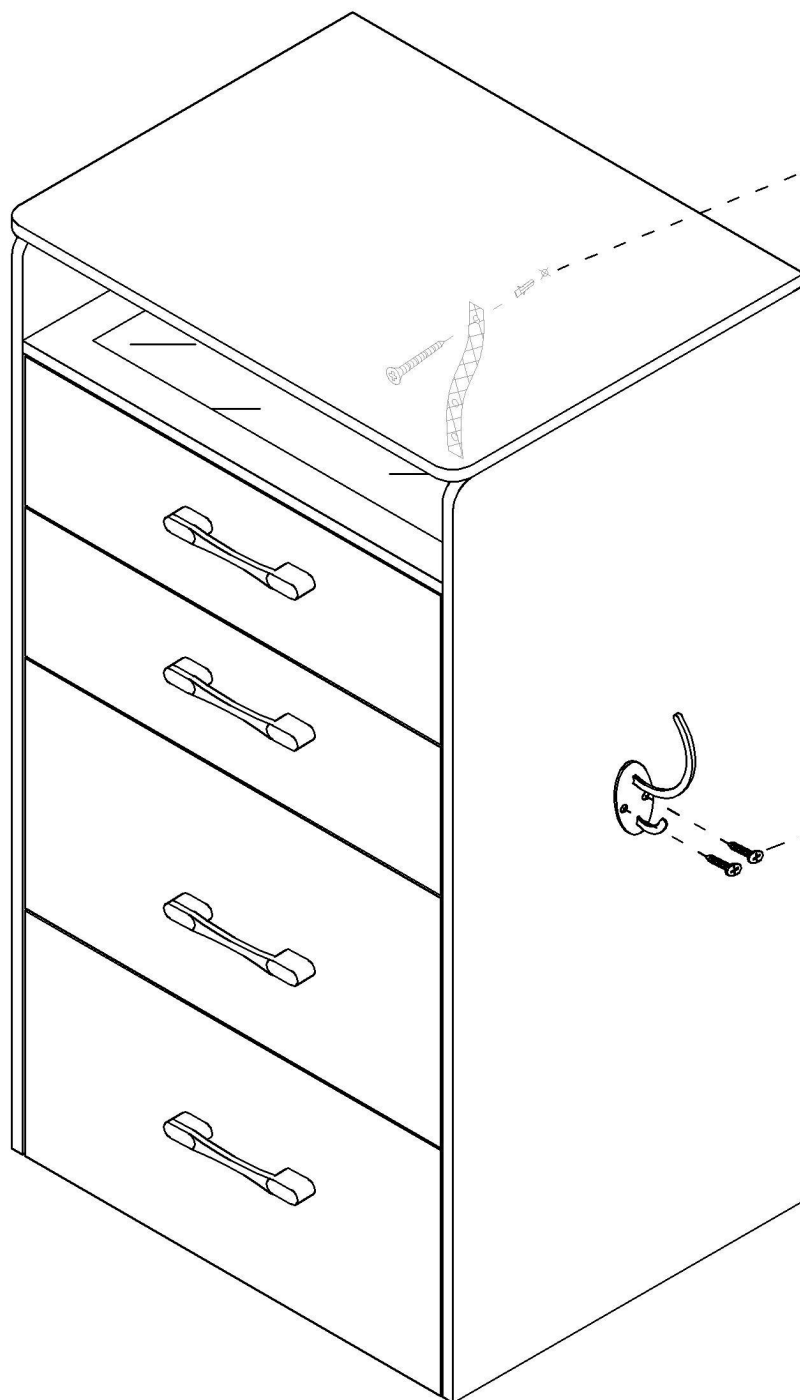
- (J)  x 1
- (K)  x 1
- (M)  1pcs 2pcs x 1



The hook can be moved from side to side

# Step 52

- I  x 1
- M  1pcs     2pcs    x 1



The hook can be moved from side to side