

INSTRUCTIONS

3. Finish lamp installations according to below instructions

WIRE CONNECTION DIAGRAM

Wires meet safety standards are recommended to connect the supply circuit.

CAUTION:FIRE RISK

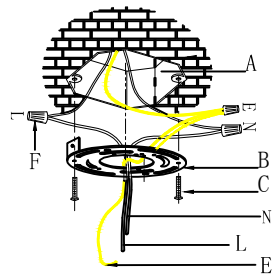
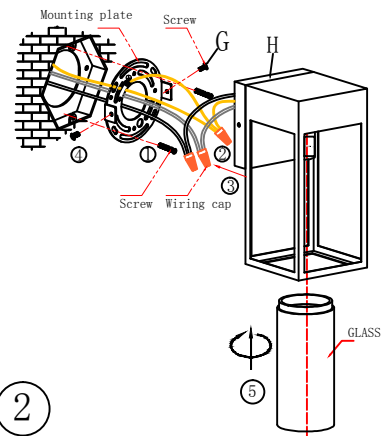


CANOPY INSTALLATION INSTRUCTIONS

Please read all instructions carefully before you proceed to install, make sure that the power supply is turned off and remains off until installation is completed. Please note that each part is marked with letter as below. Please proceed in an alphabetical order.

- | | | |
|----------------------------|----------------------|-------------------|
| A. Original electrical box | B. Circular bracket | C. Bracket Screw |
| E. Ground wire | F. Terminal cap | G. Screw |
| L. Live wire (black) | N. Zero line (white) | H. Lamp wallplate |

- Before installing the lamp, use tools to remove the screws on both sides of the lamp wall box. Remove the circular hanging plate of the lamp.
- Then fix the round hanging plate in the screw hole of the installation position with the hanging plate screws. Connect the L wire marked on the lamp to the live wire of the power supply, connect the N wire to the neutral wire of the power supply, and connect the bare copper wire to the ground wire of the power supply using the wiring cap in the accessory assembly.
- Fix the lamp wall plate on the round hanging plate, Aligned the hole center on the both sides of the lamp wall plate and the round hanging plate.
- Use a tool to fix the screws on the holes on both sides of the wall box of the lamp to fix the lamp.
- Gently rotate the glass and screw down the appropriate bulb into the lamp cap. Screw the glass back on. The installation is completed, turn on the power switch, the light can be turned on.



Accessories List:

- | | | |
|-------|----------------|-------------|
| Screw | Wire connector | Instruction |
| 2PCS | 3PCS | 1 PCS |

RELATED TO INSTALLATION

i. GENERAL

- To ensure the success of the installation, be sure to read these instructions carefully before beginning.
 - Before installations, prepare the required tools, such as Blade screw driver, Adjustable wrench, Step ladder, Wire cutter.
 - All electrical connections must be in accordance with the National Electrical Code. Qualified licensed electricians are required to conduct the installation of electrical wiring.
 - The outlet box that is connected to the lighting must be directly supported by the building structure.
 - Before starting the installation, disconnect the power to prevent electrical shock.
- NOTE: The important safeguards and installations appearing in this manual are not meant to cover all possible conditions and situations that may occur. It must be understood that common sense, caution, and care are factors which can not be built into any product. These factors must be applied by the person(s) caring for and operating the fixture.

ii. CAUTION

- Rated 120V/60HZ, bulb 60W maximum.
- Care should be taken to avoid damage to the surface of lighting and wire, wearing gloves are recommended when installing.
- Keep lighting away from acid, alkali and other corrosive chemical or gas, clean the lighting with clean soft cloth only.
- Installation must be carried out by qualified electrician only.
- Disconnect the power before installing, cleaning and replacing lighting.
- Never cover the lighting when power is connected.

INSTRUCTIONS

1. Take out all lamp parts. The picture below shows the exact items that you receive in this product. Please note that this picture may look different from the computer generate part table. The parts in the part table are not assembled but some parts in this part picture are assembled, so there may be fewer items in the picture than in the table.

2. Part Table

Please note: The parts in this table are completely unassembled, for illustrative purpose. In the actual product that you receive, some parts are assembled and attached together.

