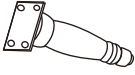
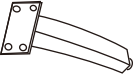

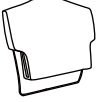
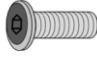



ASSEMBLY INSTRUCTION

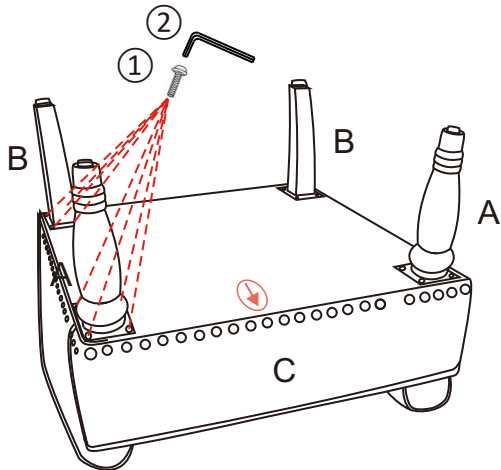
PARTS

S.No.	DESCRIPTION	QTY
A	 Front foot	2
B	 Back foot	2
C	 Seat frame	1
D	 Back cushion	1

HARDWARE

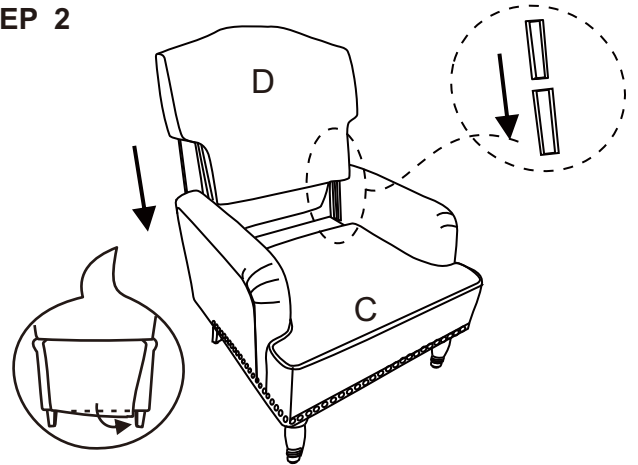
S.No.	DESCRIPTION	QTY
①	 FALLEN BOLT M6*18MM	17
②	 ALLEN KEY M6	1

STEP 1



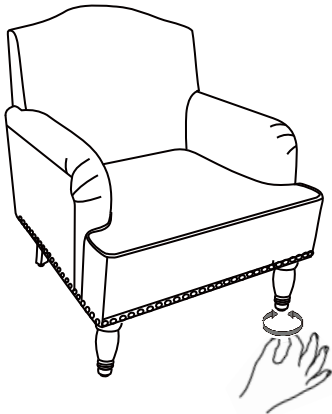
Attach the front and rear feet to the bottom of the seat frame.

STEP 2



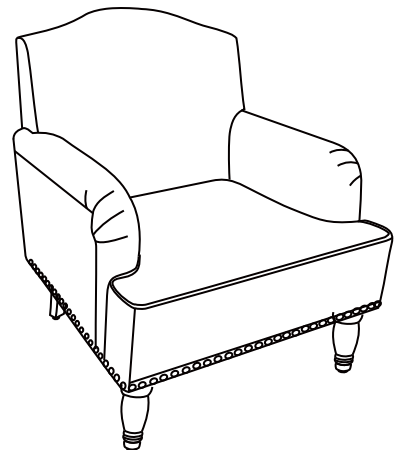
Carefully align male and female metal bracket then push all the way down to secure. Smooth the lower back flap and carefully secure the velcro belt to rear bottom edge of seat frame.

STEP 3



Attention: After installation, adjust the adjustable leveler to keep the chair balanced. Be sure to check all packing material carefully for small parts, which may have come loose inside the carton during shipment.

STEP 4



Installation complete.

MADE IN CHINA