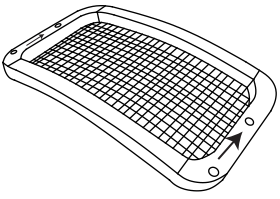
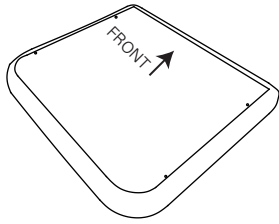


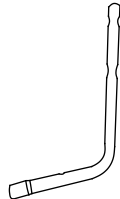
A



B

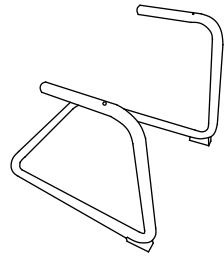


C

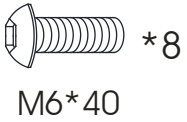


2PCS

D



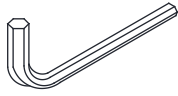
E



*8

M6*40

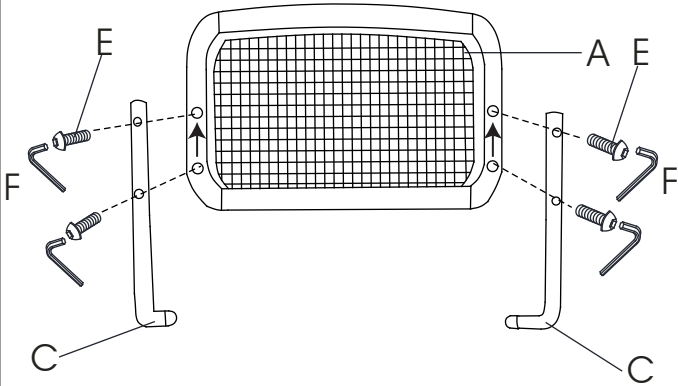
F



M6

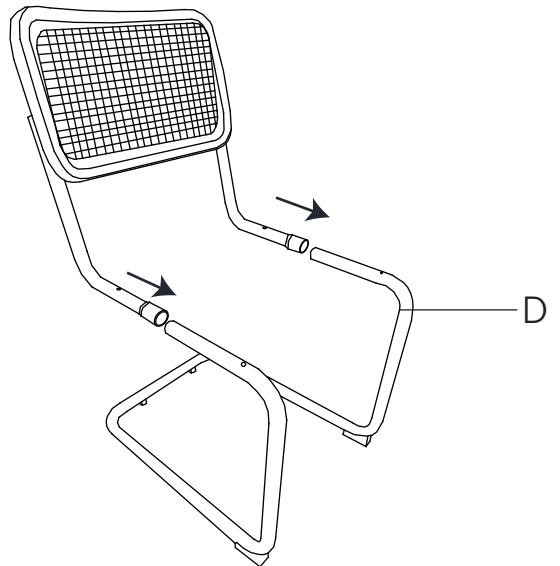
1

Please 80% tighten the bolts.



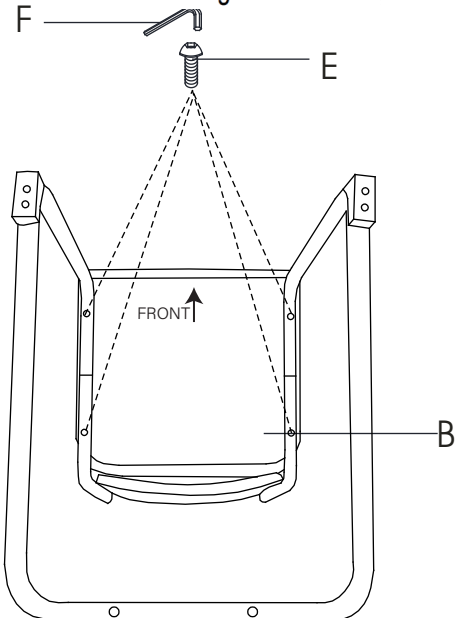
2

Please 100% tighten the frame.



3

Please 100% tighten the bolts.



Please 100% tighten the bolts.

