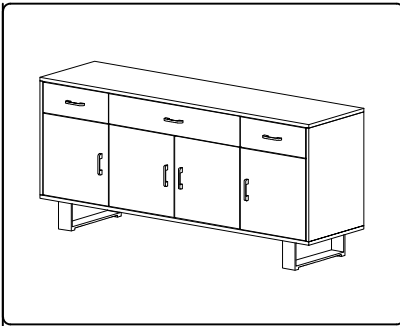


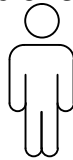
# ASSEMBLY INSTRUCTIONS



**+ Do Not Use  
Power Tools**



**+ Suggested  
Adults**



## NOTE:

- 1 Read instructions cover.
- 2 Save all packaging until assembly is completed.

## 1 IMPORTANT SAFETY INFORMATION

Do not assemble the product if any of the following parts arrived damaged:

- Part # - Table Top (1pc)
- Part # - Table Base (2pcs)
- Part # - Table Leg (1pc)

## 2 IMPORTANT ASSEMBLY INFORMATION

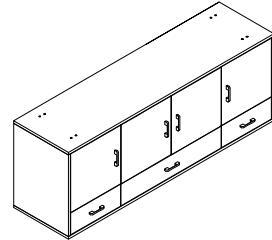
**Assembly Step 1:** Use ABCD to connect ② to ①

**Assembly Step 2 :** Use ③ to connect to ①

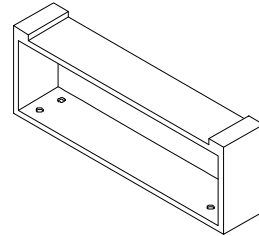
**\*Warning:** Do not over tighten screws, or it could damage the Table Top.

## + Parts Included

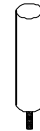
① Table Top  
(1pc)



② Table Base  
(2pcs)

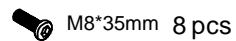


③ Table Leg  
(1pc)



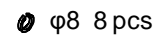
## + Hardware Included

**A** Allen Bolt



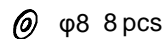
M8\*35mm 8 pcs

**B** Spring Washer



φ8 8 pcs

**C** Flat Washer



φ8 8 pcs

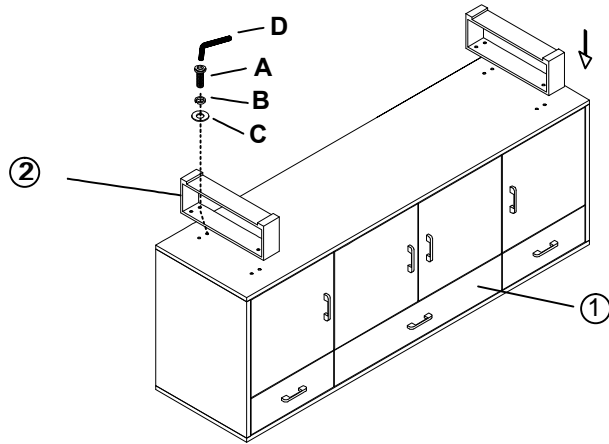
**D** Allen Wrench



M6 1pc

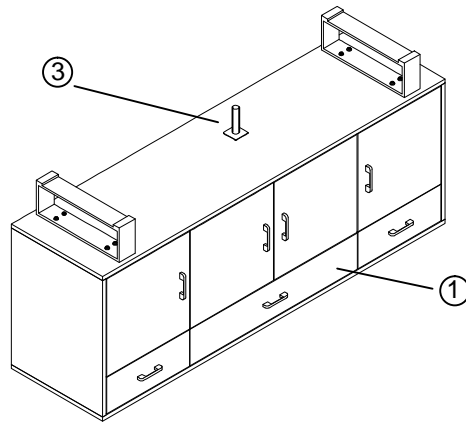
# ASSEMBLY INSTRUCTIONS

1



Note: Do not over tighten screws

2



Note: Do not over tighten screws

3

