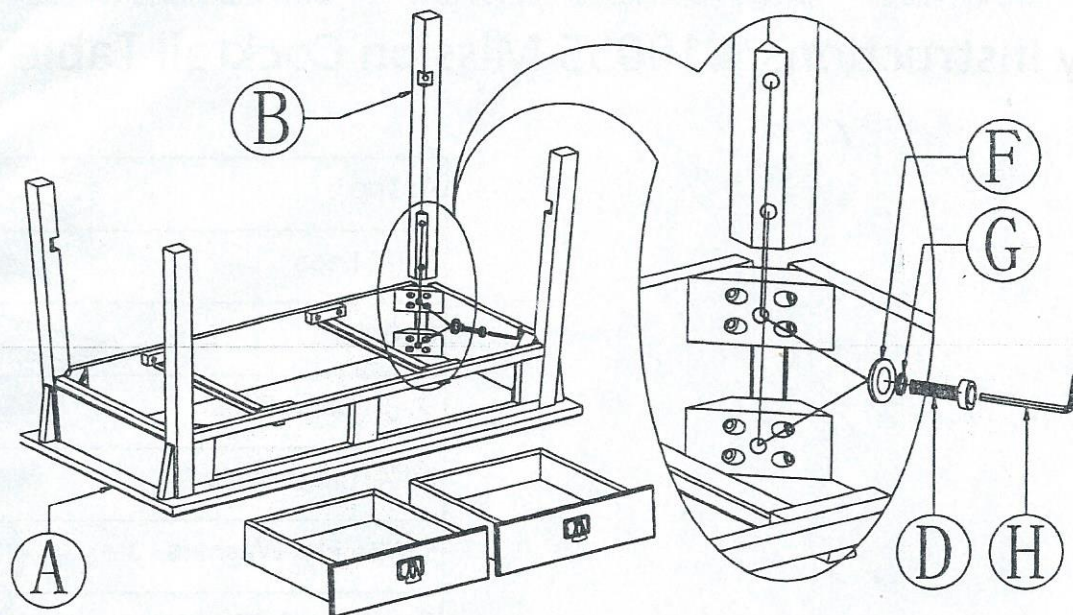


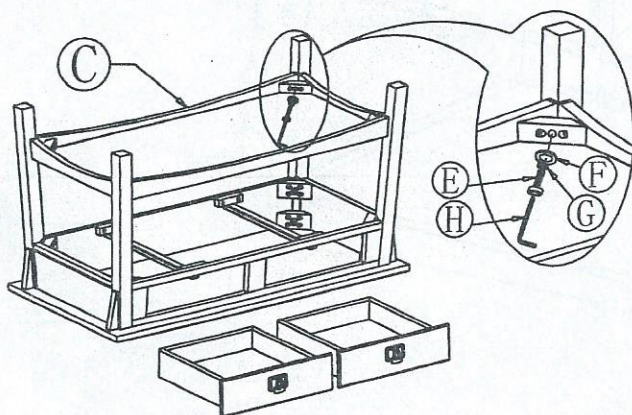
### Step 1

Remove drawers and place the top assembly upside down. Fasten the legs with (8) short bolts, flat washers, and lock washers. Do not tighten yet.



### Step 2

Place the shelf on legs and tighten with (4) large bolts, flat washers, and lock washers. Tighten in step 1.



### Step 3

Put the table right side up and put the drawers back into the table.

