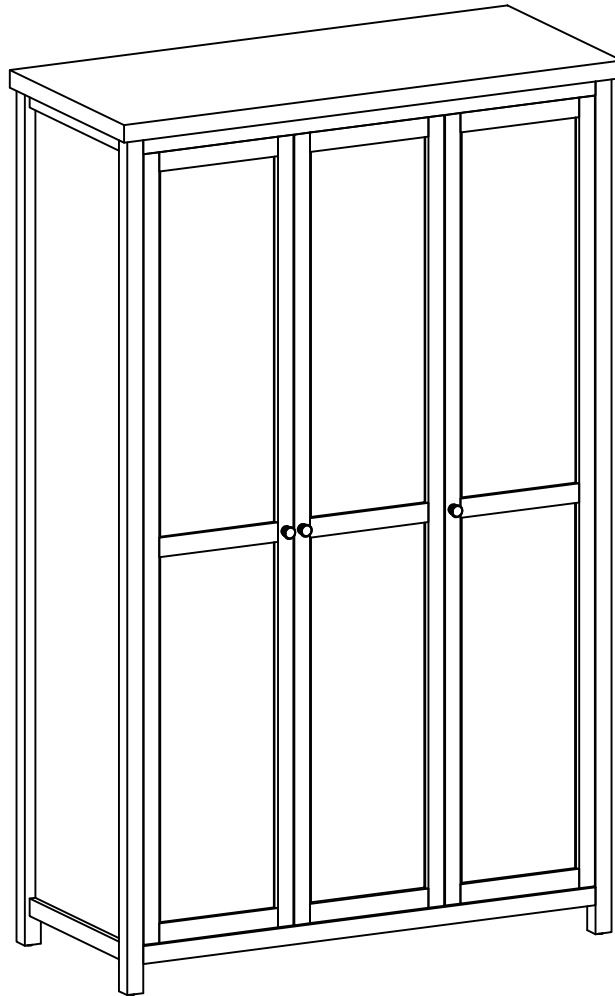


## 3 Door Wardrobe

Assembly Instructions - Please keep for future reference



Dimensions	No. people	Assembly Time
Width: 112cm Depth: 49.5cm Height: 180cm		90 mins (approx.)

**Important** - Please read these instructions fully before starting assembly

# Safety and Care Advice

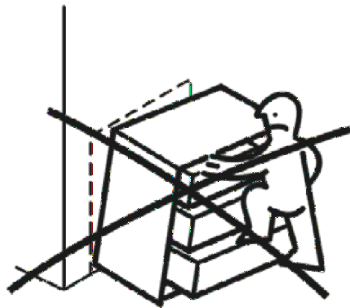
**Important - Please read these instructions fully before starting assembly**

- Check you have all the components and tools listed on pages 4 and 5.
- Remove all fittings from the plastic bags and separate them into their groups.
- Keep children and animals away from the work area, small parts could choke if swallowed.
- Make sure you have enough space to lay out the parts before starting.
- Do not stand or put weight on the product, this could cause damage.
- Assemble the item as close to its final position (in the same room) as possible.
- Assemble on a soft, level surface to avoid damaging the unit or your floor.
- We do not recommend the use of power drill/drivers for inserting screws, as this could damage the unit. Only use hand screwdrivers.
- Dispose of all packaging carefully and responsibly.



## Warnings

### CHILD SAFETY



### ANCHOR AND PROTECT A CHILD

Use of anti-tip kit is required

- Place heaviest items in the lowest drawers.
- Useless specifically designed to accommodate, do not set TVs or other heavy objects on top of this product.
- Never allow children to climb or hang on drawers, doors or shelves.
- Never open more than one drawer at a time.
- Do not defeat or remove the drawer interlock system.
- Use of tip-over restraints may only reduce, but not eliminate, the risk of tip-over.

**CLIMBING MAY RESULT IN SERIOUS INJURY**

## Care and Maintenance

- Only clean using a damp cloth and mild detergent, do not use bleach or abrasive cleaners.
- From time to time check that there are no loose screws on this unit.
- This product should not be discarded with household waste. Take to your local authority waste disposal centre.

**If you are unhappy with the product and wish to return it, please follow the retailer's returns procedure.**



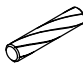



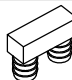

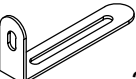






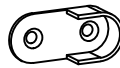

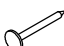


# Exploded View



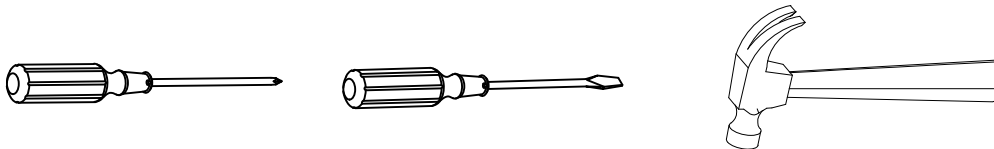
# Components - Fixings

**Please check that you have all the components listed below before constructing your item.**

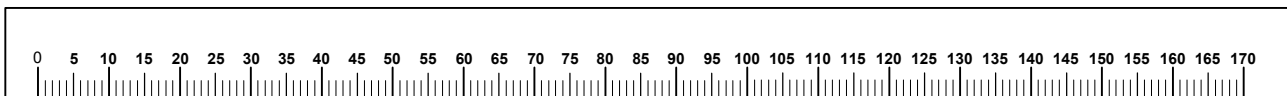
**Note:** The quantities below are the correct amount to complete the assembly. In some cases more fittings may be supplied than are required.

(A)	 24pcs	(B)	 24pcs	(C)	 22pcs	(D)	 7pcs
(E)	 2pcs	(F)	 5pcs	(G)	 1pc	(H)	 2pcs
(I)	 2pcs	(J)	 58pcs	(K)	 6pcs	(L)	 3pcs
(M)	 3pcs	(N)	 3pcs	(O)	 8pcs	(P)	 2pcs
(Q)	 1pc	(R)	 28pcs	(S)	 4pcs	(T)	 2pcs

## Tools Required



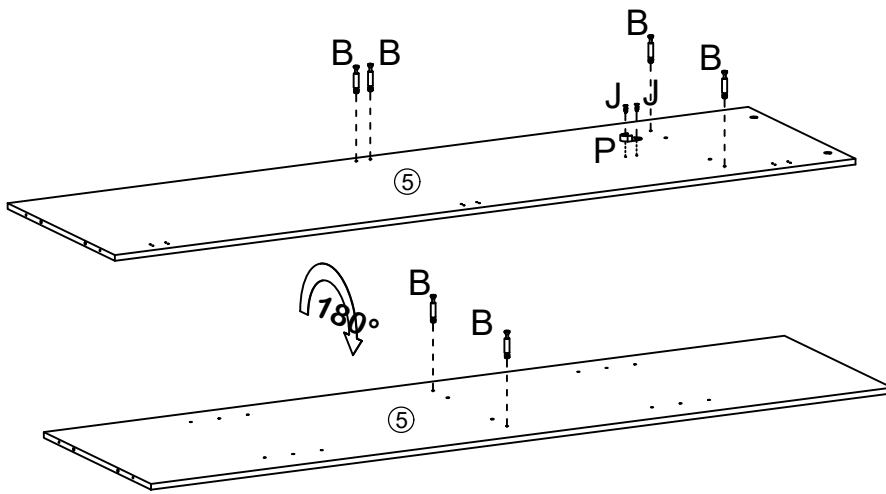
**Ruler** - Use this to measure your screws (mm)



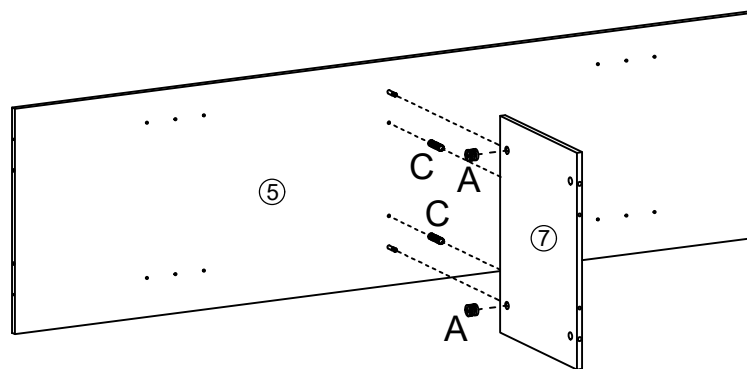
**Important** - Please read these instructions fully before starting assembly

# Assembly Instructions

## Step 1

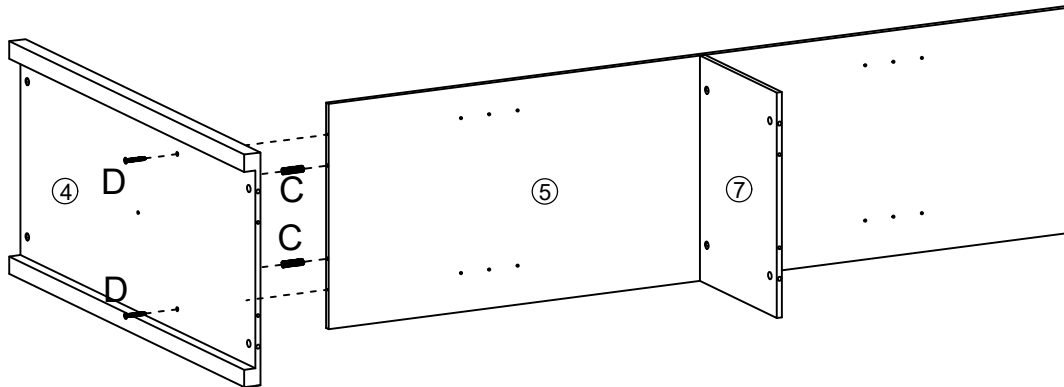


## Step 2

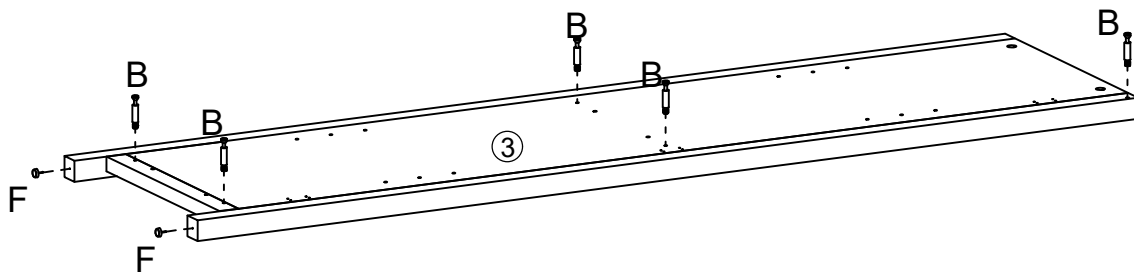


# Assembly Instructions

## Step 3

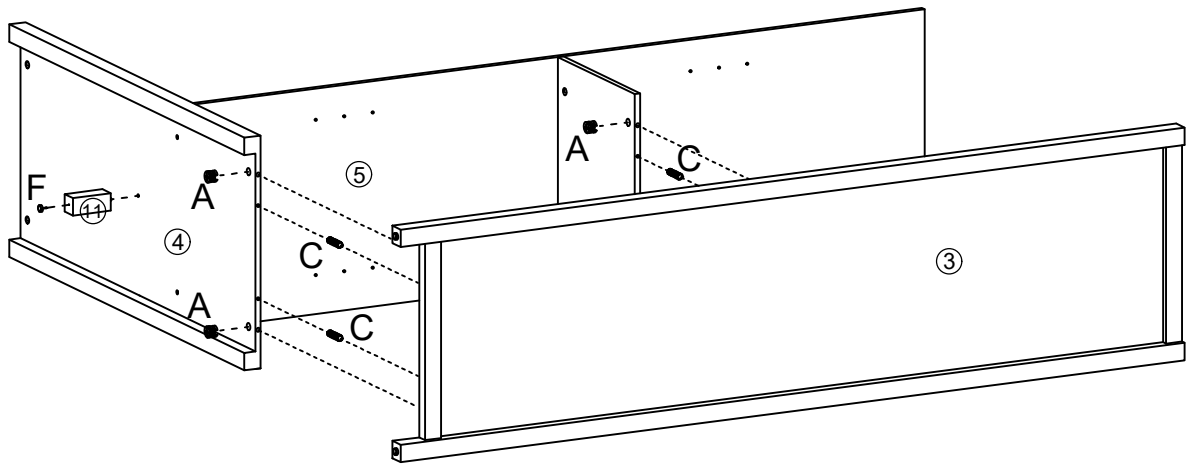


## Step 4

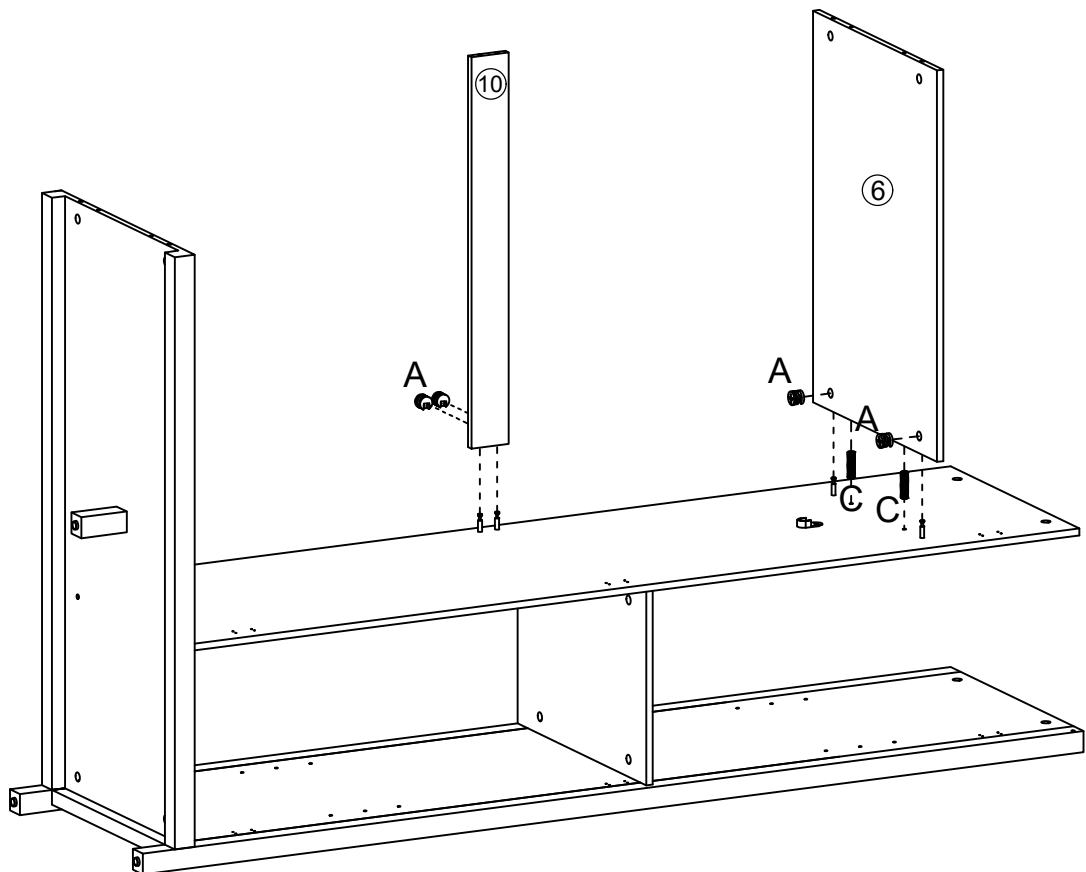


# Assembly Instructions

## Step 5

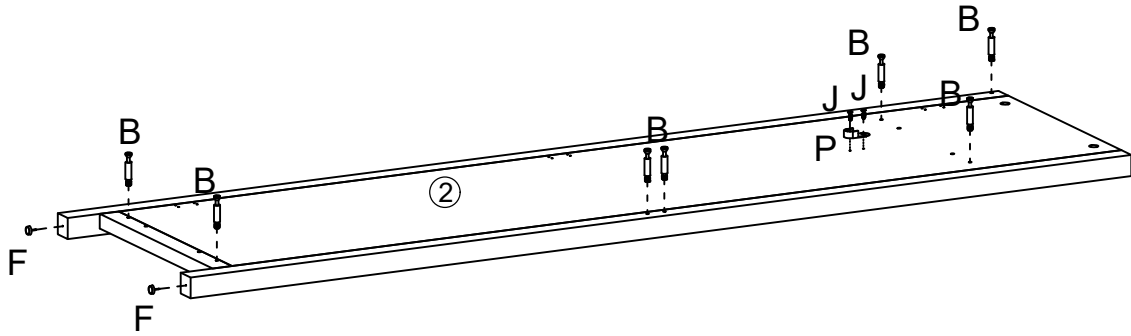


## Step 6

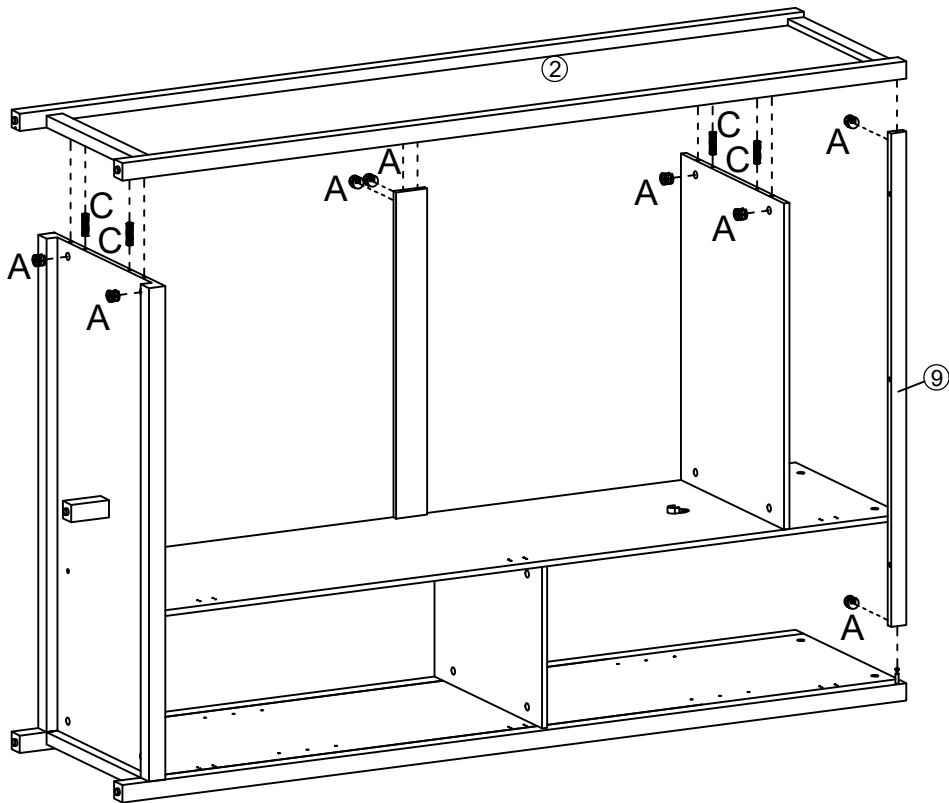


# Assembly Instructions

## Step 7

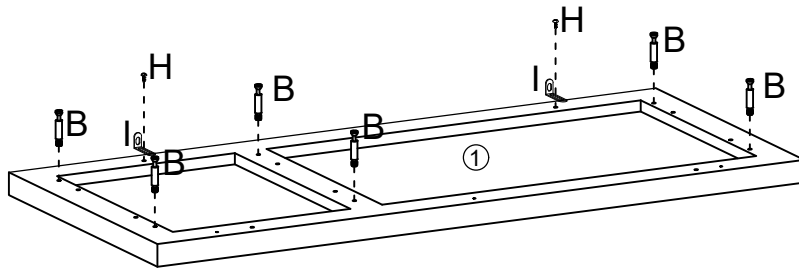


## Step 8

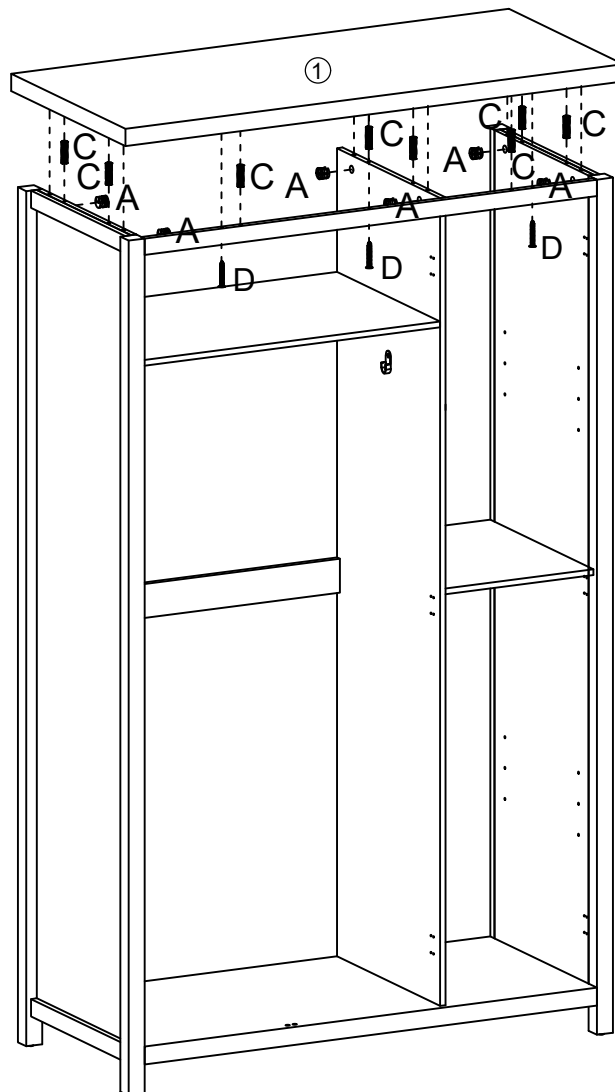


# Assembly Instructions

## Step 9

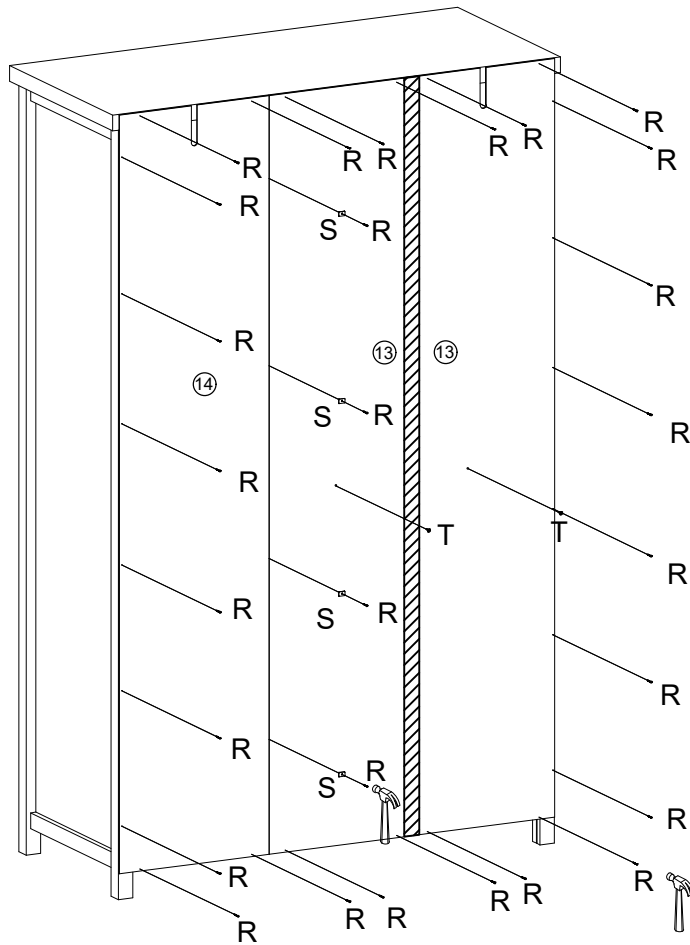


## Step 10

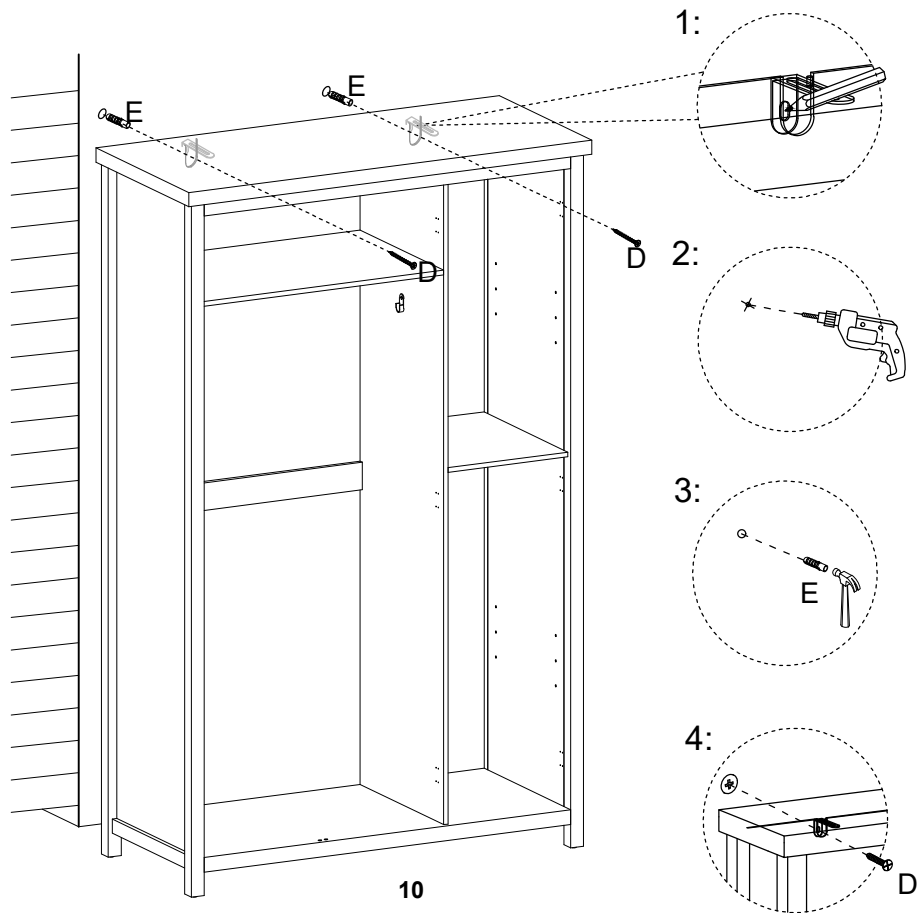


# Assembly Instructions

## Step 11



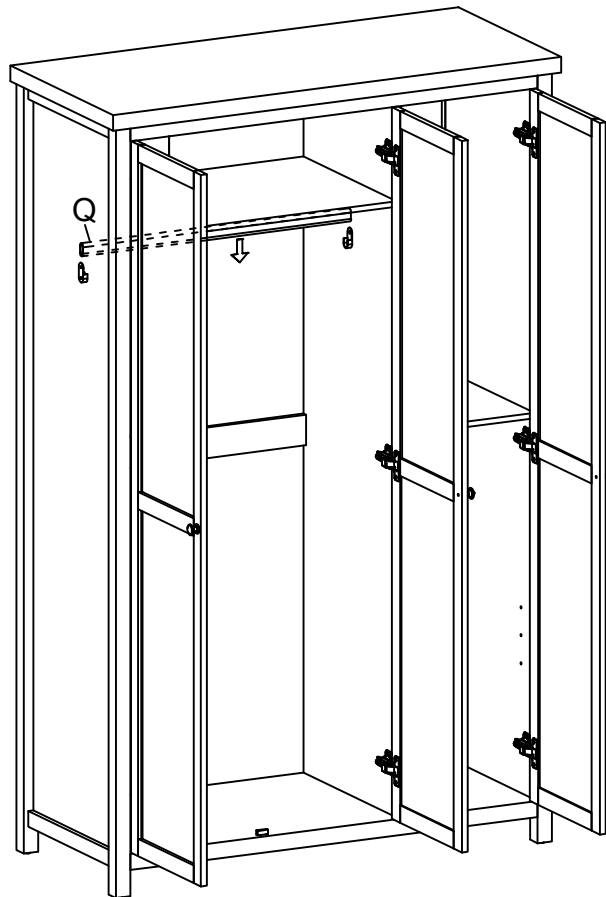
## Step 12



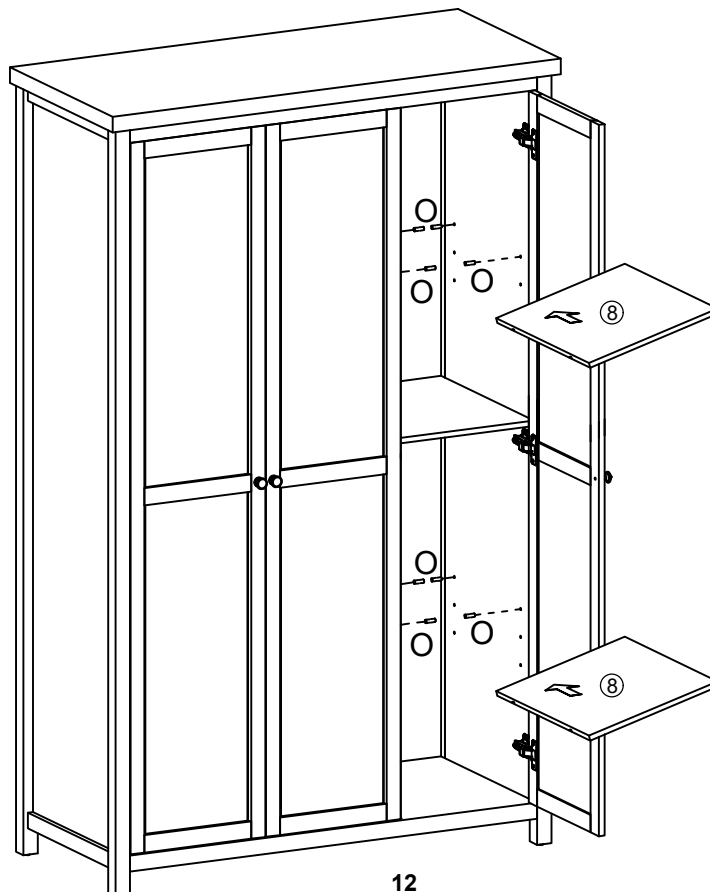


# Assembly Instructions

Step 15



Step 16



# Assembly Instructions

