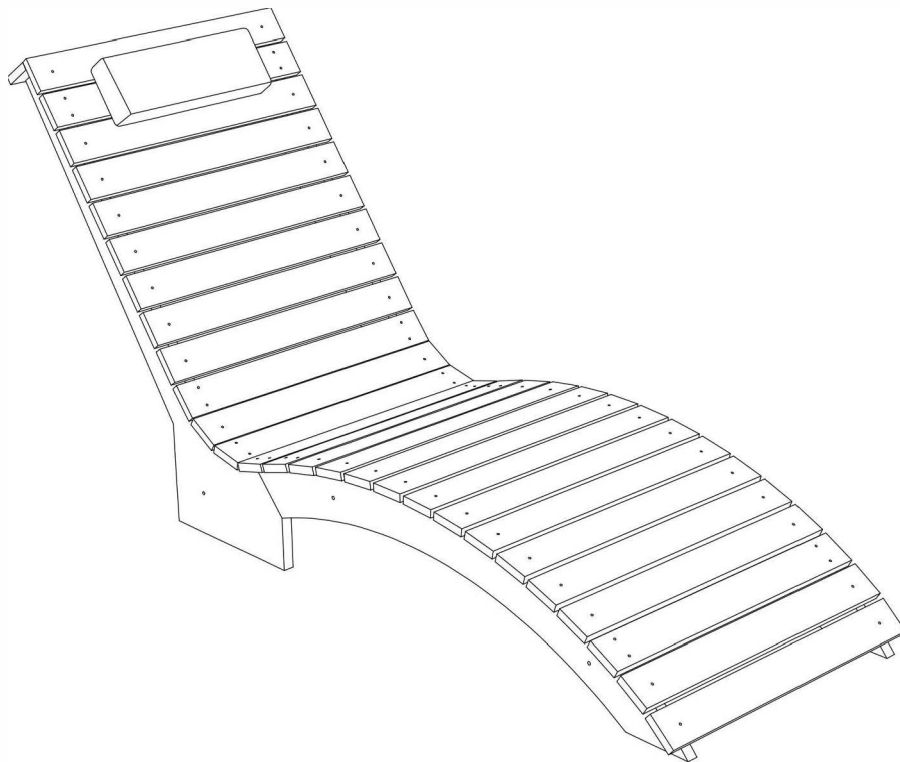


# USER'S MANUAL

---

## PATIO LOUNGE CHAIRS



## Guide of Manual

- Thanks for your choice. **We will do our best to provide customer service for everyone.**
- Please check to make sure all parts are included as stated when you unpack. If there are parts missing or wrong, please contact us, **we will expeditiously provide reissue accessories, compensation or other services.**
- Instruction should be read carefully. But the manual may not cover every detail of all possible situations and steps. **Please contact us if further information and help are needed. We will respond in a timely manner.**
- **Please be patient that the other items are on the way if you buy more than one product.**

## Warning

- It's kindly advised to assemble this product on a carpeted floor to protect it from being scratched.
- Small parts are included. Please keep the product away from children while assembling. Do not let children play or jump on the product. Do not stand on the item or use as a step ladder.
- Please pay attention to the sharp corners during assembly. We recommend the use of gloves to prevent the undesired injury.
- Prior to use, please check to see if there's any loosening screw or part. Make sure that each screw and part is correctly installed and securely fastened.
- It's unnecessary to use electric drill. Please at a low gear if you need.

## Care and Maintenance

- Use a soft, clean cloth that will not scratch the surface when dusting.
- If you run into scratches problems, we suggest you erase the scratches by knife.
- This item could be cleaned with soap and water. Be sure to avoid harsh solvents and abrasives.
- Periodically (every 90 days) make sure the screws are fully tightened.

## Resists pest & rough weather

- These all-weather items can be stored outdoors year-round. Perfect for people who lives in a wet climate or lives on the coast where humidity and moisture will be an issue all year.

## Material

- 100% HDPS

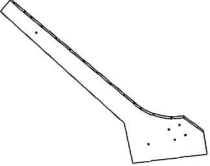
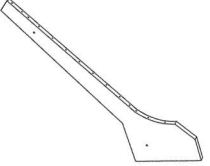






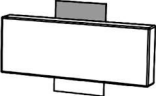
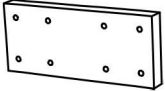
## Max Weight capacity

- 330lbs [Do not stand on the item]



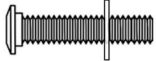

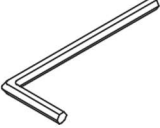
## Parts and Hardware List:

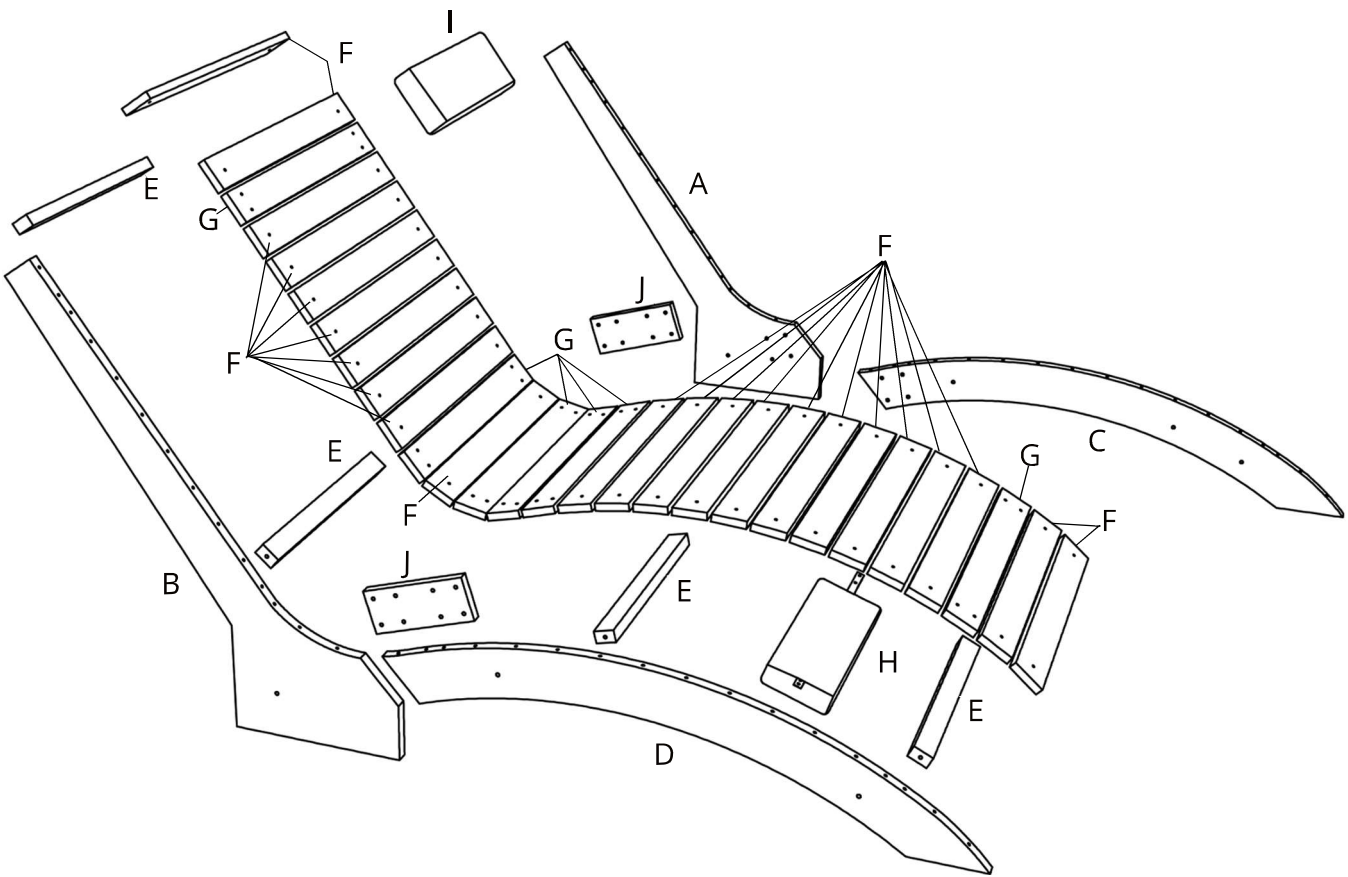
- o Make sure all parts are in the package.
- o "+" in below list indicates that additional pieces are replacement parts.
- o Do not fully tighten anything until all screws, nuts, washers and bolts are in place.

### Parts List



<p>A x1pc Right-backrest Supporting Bar</p> 	<p>B x1pc Left-backrest Supporting Bar</p> 	<p>C x1pc Right Leg</p> 	<p>D x1pc Left Leg</p> 	<p>E x4pcs Supporting Crossbar</p> 
<p>F x22pcs Single-hole-side Plate</p> 	<p>G x6pcs Double-hole-side Plate</p> 	<p>H x1pc Sandbag</p> 	<p>I x1pc Headrest</p> 	<p>J x2pcs Connector</p> 




### Hardware List

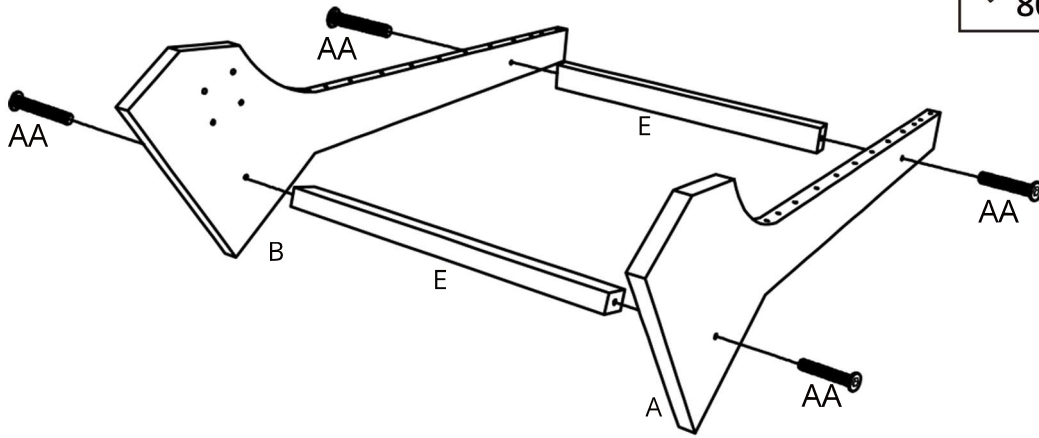
 <p>AA x 24+2pcs Bolt (M6*33)</p>	 <p>BB x 68+4pcs Bolt (M4*35)</p>	 <p>CC x 2pcs Bolt (M6*13)</p>
 <p>DD x 1pc Cross Wrench</p>		 <p>EE x 1pc Allen Wrench</p>





1




AA		x4
EE		x1

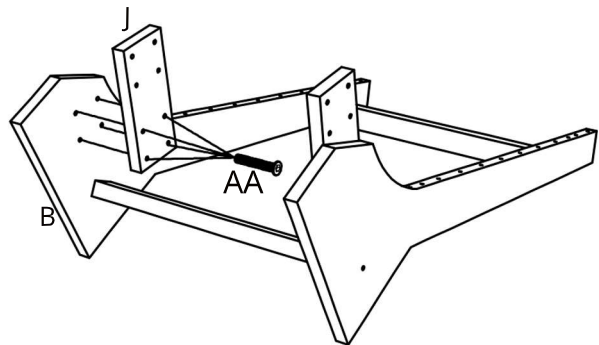
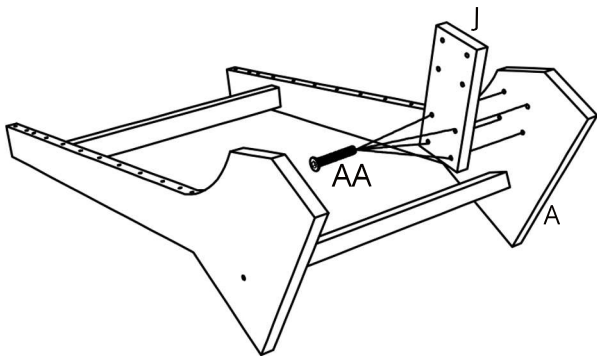
 80%	80%	
	100%	



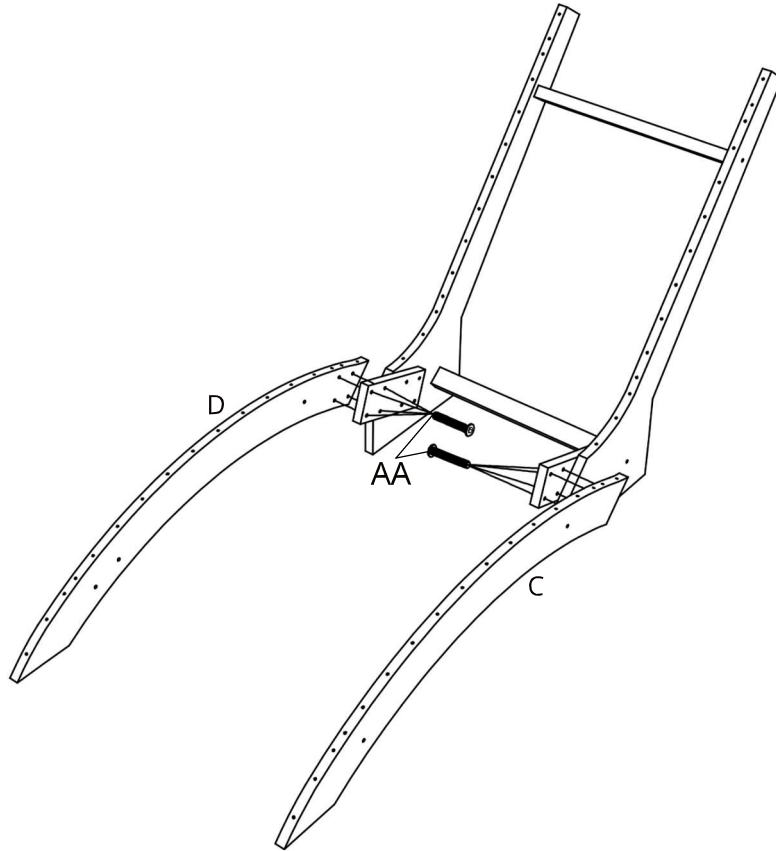
2



AA		x8
EE		x1


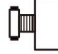

 80%	80%	
	100%	



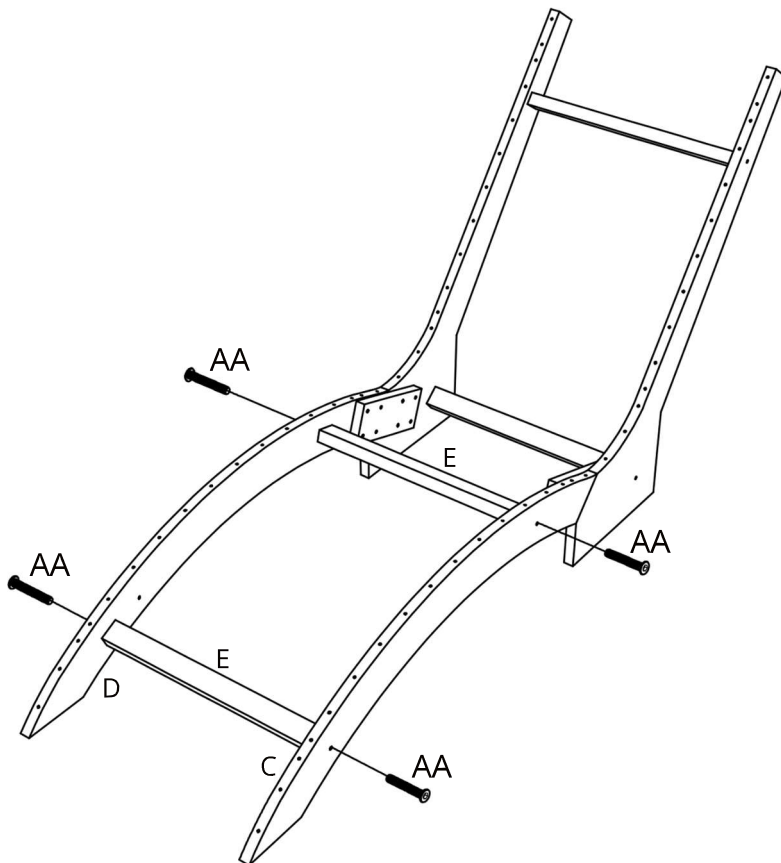
3








AA		x8
EE		x1

 80%	80%	
	100%	



4






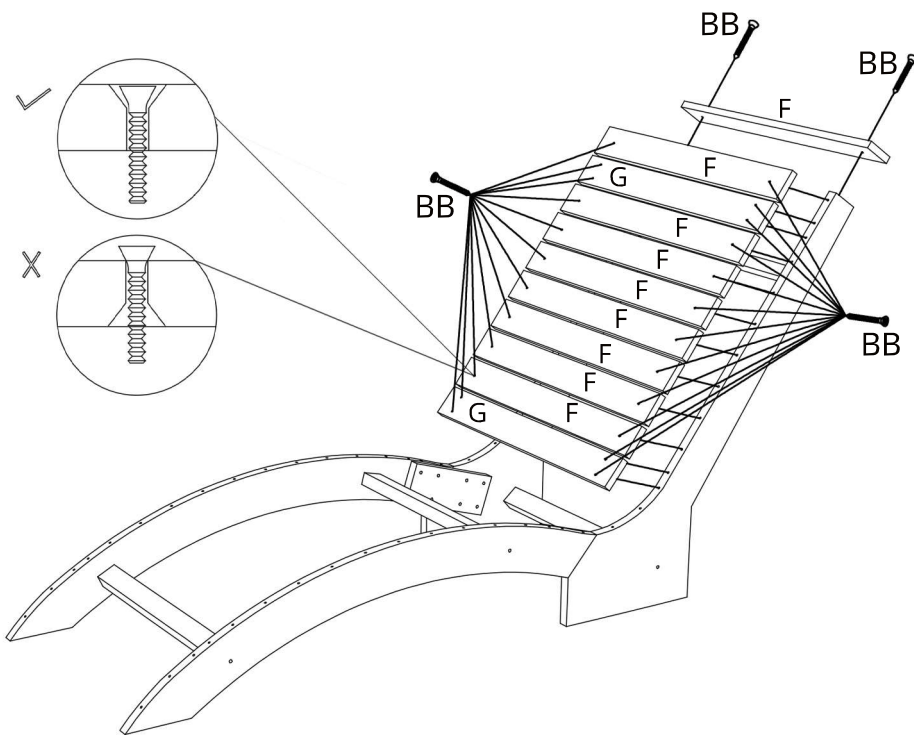
AA		x4
EE		x1

 80%	80%	
	100%	



**5** Please Note: G and F are provided with countersunk holes in one side, please face the countersunk holes up, then install the screws.




BB		x26
DD		x1

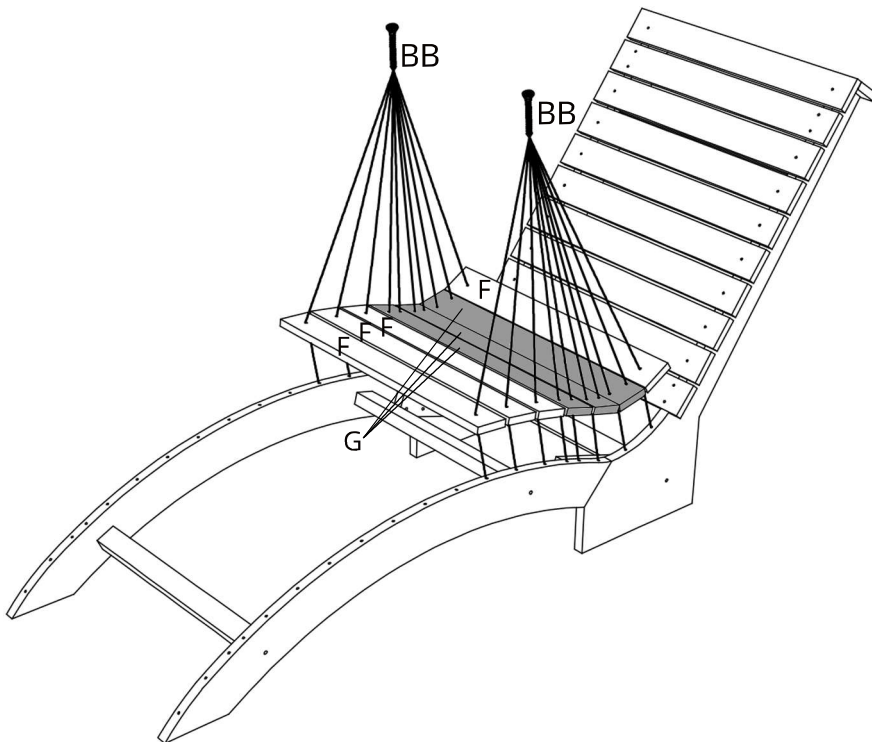
	80%	
	80%	✓
	100%	
	100%	✗





**6**




BB		x20
DD		x1

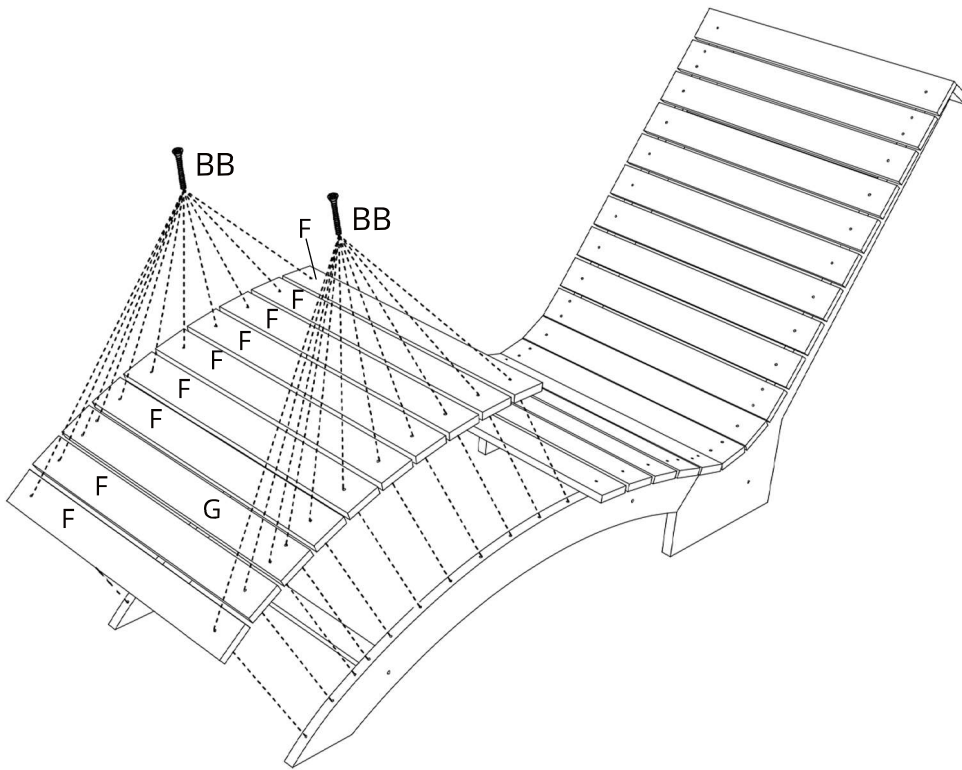
	80%	
	80%	✓
	100%	
	100%	✗



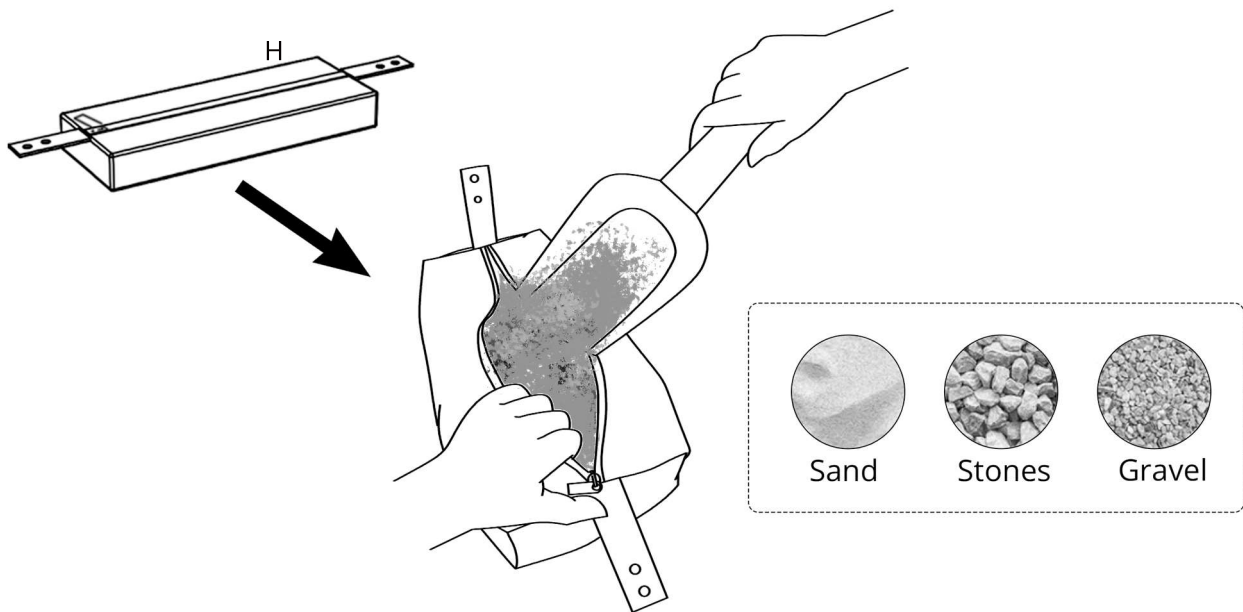
**7** Please ensure that any bolts which were not fully tightened in the previous steps are properly secured. Using a drill to install screw BB will be easier.

BB		x22
DD		x1

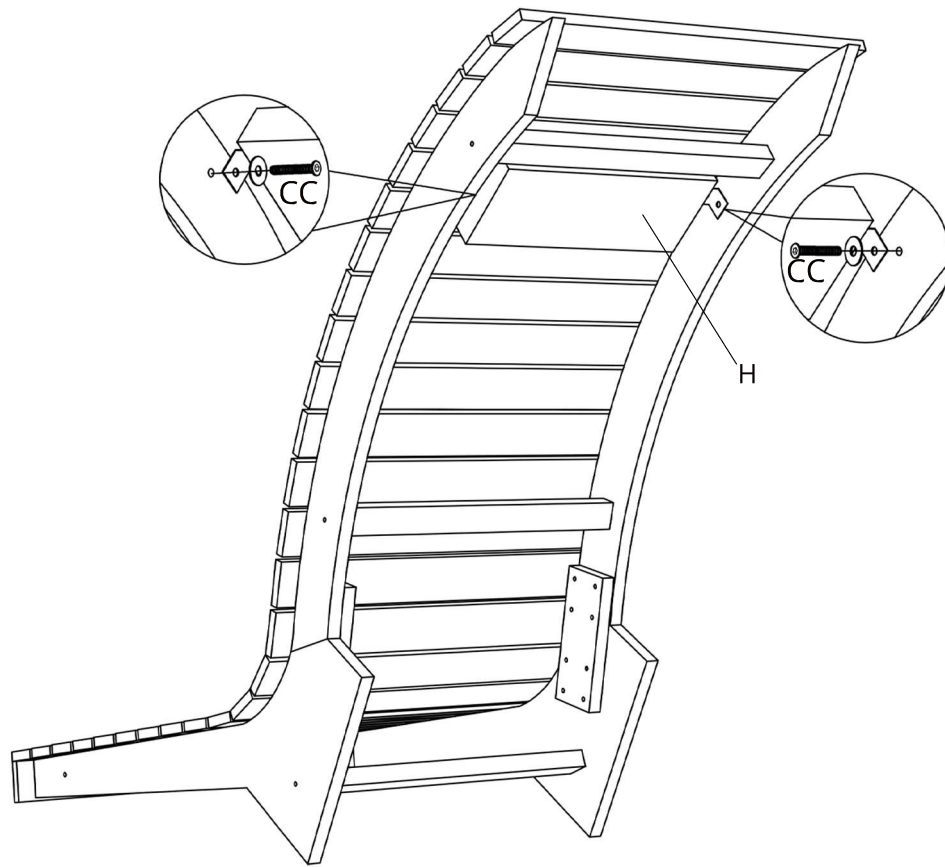
	80% X	
	100% ✓	








**8** If you wish to use this chair in a swimming pool, please fill the sandbag with about 10 lbs of clean sand or gravel, and then secure it to the bottom of the chair.



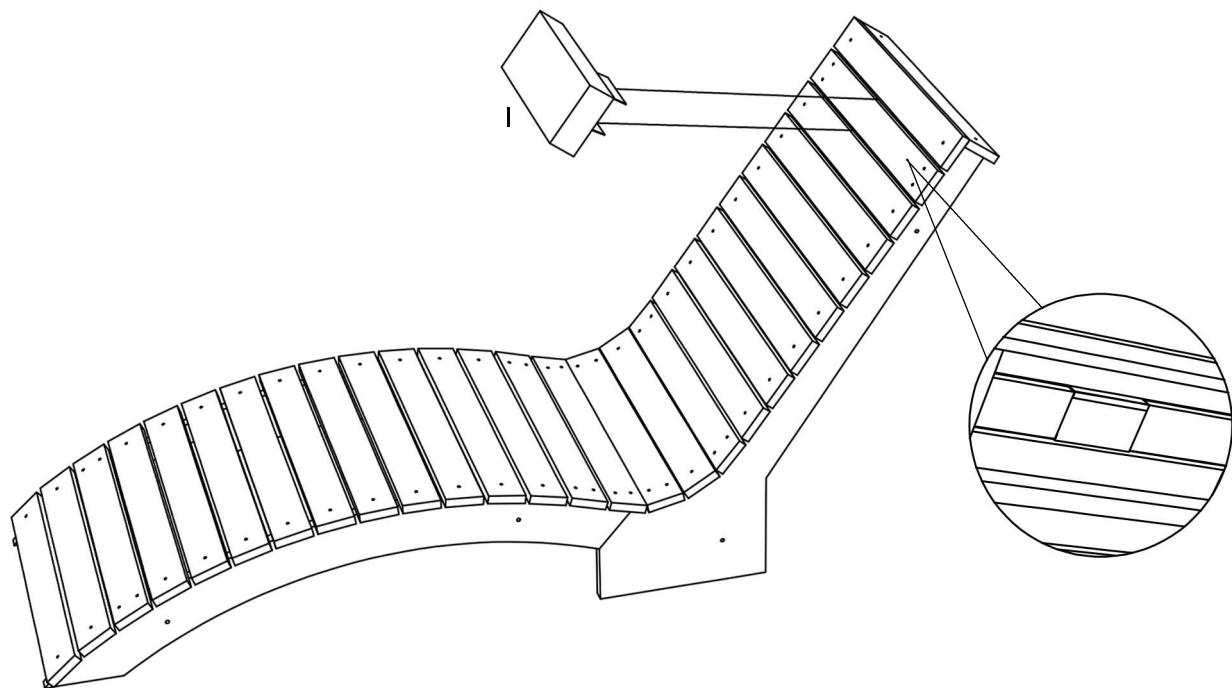
9



CC		x2
DD		x1

	80%	
	100%	

10



**FINISHED**

