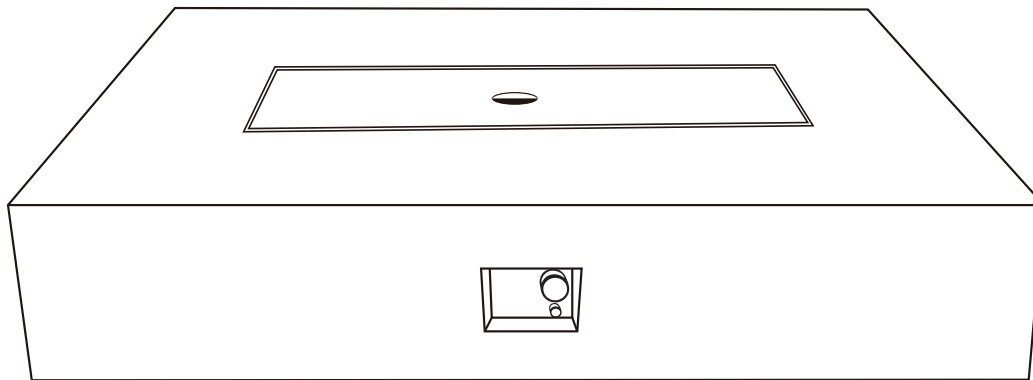


56"Rectangle Iron Fire Pit

INSTRUCTION MANUAL



Keep the instructions for future reference

CONTENTS

■ Warnings	1
■ Parts List	3
■ Precautions in Use	4
■ Ignition Demonstration	6
■ Maintenance Reference	7
■ Troubleshooting	8

WARNINGS

PRECAUTIONS BEFORE USING

1. Ensure the propane tank is positioned at least 4 FT away from the fire pit table before lighting the fire.
2. Avoid using the fire pit table near combustible materials such as dry leaves, paper, or fabric.
3. Ensure the fire pit table is assembled correctly according to the provided instructions.
4. Place the fire pit table on a level and stable surface to prevent tipping.
5. Allow the fire pit table to cool before cleaning or moving it.
6. Do not close the protective cover until the unit is turned off and has cooled completely.
7. Before relighting the fire, ensure the lava rocks are completely dry to avoid splattering.
8. Do not block the burner's shipping hole with lava rocks or the flame will go out!
9. Store the fire pit table in a dry, covered area when not in use to prevent rust and damage.
10. Be cautious of high temperatures emitted by the fire pit table, and keep flammable objects away to avoid accidents.
11. Do not sit or rest hands or feet on this fire pit table.
12. Keep all electrical cords and oil supply hoses away from heated surfaces.
13. Do not put your hands or fingers on the top of the unit when using it.
14. Turn off the gas when not in use, then close the fire pit table to avoid gas leaks.
15. If any part of the propane tank is damaged, discontinue use. Rust and dents can be dangerous and should be inspected by your gas supplier.
16. This unit can only be used with propane gas! (sold separately), not for natural gas!

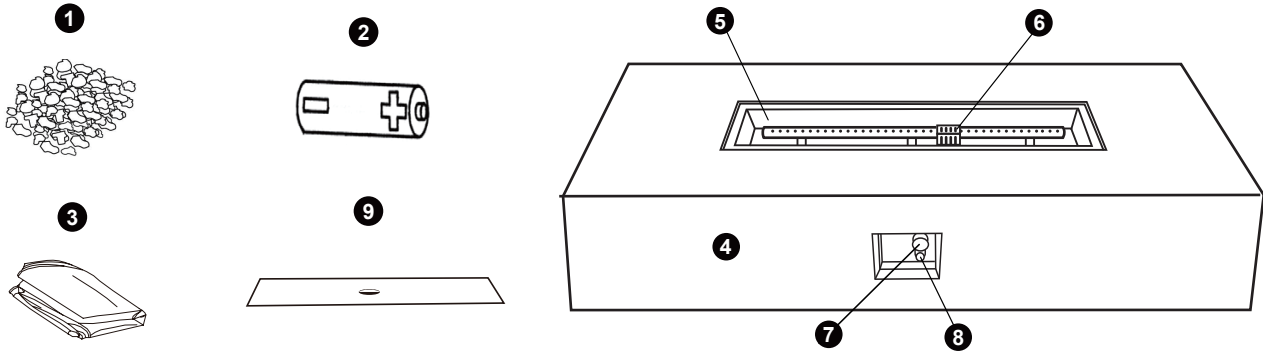
WARNINGS

PRECAUTIONS BEFORE USING

17. Ensure that children and pets are kept at a safe distance from the fire pit table, particularly while it is in operation.
18. Do not operate on a boat or vehicle.
19. Do not modify the fire pit table in any way. Alterations may compromise safety and void the warranty.
20. Have a first aid kit nearby in case of burns or injuries.
21. Regularly inspect the fire pit table for damage and wear. Replace any worn parts immediately.
22. Use LP propane tanks with the following specifications: 12 inches in diameter, 18 inches in height, with a 20 lb. capacity.
23. Must use a propane tank with a protective gas valve ring and do not fill the tank more than 80% full.
24. The LP gas tank must have a listed overfilling prevention device and a QCCI or Type I, (CGA810) LP gas tank connection.
25. The gas supply tank must comply with the specifications set forth by the U.S. Department of Transportation or the National Standard of Canada CAN/CSA-B339 for LP gas tanks, spheres, and tubes for the Transportation of Dangerous Goods and Commission.
26. If the propane gas tank is leaking gas, do the following:
 - Cut off the gas supply to the fire pit table and turn off the flame.
 - Do not use a flame to detect a gas leak. ● Please keep everyone out of this area.

PARTS LIST

ENSURE THAT ALL ACCESSORIES CAN BE FOUND



	Parts List	Item Count
1	Lava Rocks	1 Pc
2	AA Battery	1 Pc
3	PVC Rain Cover	1 Pc
4	Fire Table Body	1 Pc
5	Burning Steel Pan	1 Pc
6	Stainless Steel Burner	1 Pc
7	Control Knob	1 Pc
8	Electronic Ignition Button	1 Pc
9	Metal Lid	1 Pc

Please note: Some of the accessories are located on the bottom of the fire pit table, if you do not receive all of the accessories, please contact us

PRECAUTIONS IN USE

HOW TO GO ABOUT USING A FIRE PIT TABLE?

Step 1:

Open the carton and be careful with the internal accessories.

Step 2:

Make sure all accessories are present
(if missing, please contact us

Step 3:

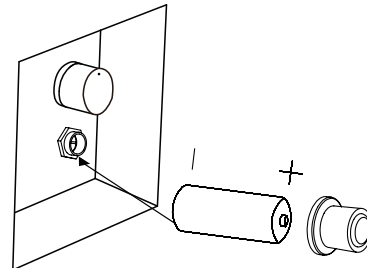
Turn the knob clockwise to ensure that the gas supply
system is turned off before assembly.

Step 4:

Place the propane tank in the propane gas tank cover and
tighten the retaining spigot (standard 20 lb. propane tanks only)

Step 5:

Facing outward.

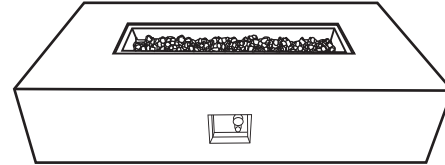


PRECAUTIONS IN USE

HOW TO GO ABOUT USING A FIRE PIT TABLE?

Step 6:

Put in the lava rocks



Step 7:

Connect the propane hose to the propane tank and turn it clockwise, making sure to tighten it to prevent leaks.

Step 8:

Kindle the flame.

Open the rubber cover and put in the battery with the positive terminal facing outward

- Tighten the rubber cap and turn the knob clockwise to ensure that the knob is in the closed position.
- Unscrew the propane tank and make sure the gas fills the entire burner tube before proceeding to the next step.
- Press the button and turn the knob counterclockwise to ignite the flame, keep it lit for more than 2 seconds before releasing the button to prevent the flame from extinguishing.
- Gently rotate to control the size of the flame.
- Turn clockwise to shut off the flame.

Please note: Our fire pit tables are burn tested at the factory to ensure that they can ignite a flame for more than 10 seconds before they are sent to the warehouse, so it is normal for burners to have burn marks!

1.Is the battery being used incorrectly?

Step 1: Check that the positive terminal of the battery is facing outward

Step 2: Tighten the rubber cap properly

Step 3: Press and hold the button

Step 4: Repeat the ignition operation

If you press and hold the button, there will be a ticking sound and an electric light can be found above the burner, it means that there is no problem with the battery system

2.Is it possible that the propane was not successfully delivered?

Step 1: The first ignition ensures that the combustion tube is filled with gas before the flame is lit.

Step 2: Check that the hose is properly connected to the propane tank, beware of gas leaks.

Step 3: A connector exists on the bottom of the fire pit table, tighten it if it comes loose (see video for details)

Step 4: Repeat the ignition operation.

If the igniter is able to ignite the flame, then the propane was successfully delivered into the gas line.

3.Does the above operation still not work? Then the thermocouple is bad.

Step 1: Remove the thermocouple and check to make sure the pointer is aligned with the gas hole in the burner tube

Step 2: Turn the screw to adjust the direction of the pointer

Step 3: Repeat the ignition operation

If the thermocouple is damaged or has other problems, please contact us, we will replace it and solve the problem for you as much as possible!

1. Cover the lid after each use, keep the metal lid on to prevent debris from blowing into the burner, otherwise it will be difficult to clean up after mixing with the lava rocks.
2. When the weather is bad or not in use, please use the rain cover to cover the fire pit table to extend the service life.
3. Please do not leave the fire pit table in a humid environment for a long time, it should be kept ventilated to avoid rusting.
4. Always disconnect the propane gas tank before performing any maintenance.
5. Use warm soapy water to clean. Do not use flammable or caustic cleaning agents.
6. Keep heater away from combustible materials.
7. Visually inspect the burner for obstructions and keep the gas tank housing free of debris.
8. After burner and lava rocks have cooled completely, remove light stains, loose dirt and mud with a soft brush.
9. Wipe with a soft cloth.
10. Severe weather conditions may cause stubborn stains, discoloration and possible rust.
11. Permanent damage may result if powders or solvents come into contact with painted or plastic parts on the heater.
12. The heater should be stored out of direct sunlight.
13. If storing the unit indoors, disconnect the propane gas tank from the gas valve.
14. Failure to use parts/accessories approved or supplied by the manufacturer may result in malfunction and void the warranty on this heater.

NOTE:

In salt air environments (e.g. near the ocean), corrosion occurs more quickly than normal, so check corroded areas frequently and repair them promptly.

TROUBLESHOOTING

PROBLEM	CAUSE	SOLUTION
Failure to light burner with igniter	Electrode and burners are wet	Wipe dry with cloth
	The ignition battery is dead or reversed	Check that the AA battery is inserted correctly in the igniter or replace the battery. Make sure the plastic wrap on the battery has been removed.
	Cracked or broken igniter pins - spark cracks	Please contact us via email to request accessories:
	Residue on the igniter pins	Check for residue on ignition pins or thermocouples and that the electronic ignition cap is not tight against the spring, clean the residue or adjust the spring.
Can't light the burner with a match	No gas flow	Check if the liquefied gas tank is empty. If it is empty, replace and refill. If the propane tank is not empty, see the problem on the next page: Sudden drop in gas flow.
	Connection nut and regulator not fully connected	Turn the coupling nut by hand about half to three-quarters of a turn until you feel a firm stop; avoid using tools.
	Obstruction of gas flow	Check for bent or kinked hoses.
	Clogged or blocked burner ports	Insert a paper clip into each burner port to ensure they are not clogged. WARNING: Make sure burners are not turned on and are cool
When in use, the fire table emits a large amount of black smoke	The hose to the gas fire table is pinched	Make sure the hose is not pinched between the fire table and the gas source.
	Flame is obstructed at the burner port, or the mixing chamber of the combustion tube is clogged or blocked	Ensure that the air ports on the burner are free of any lava rocks so that the flame can flow naturally.

TROUBLESHOOTING

PROBLEM	CAUSE	SOLUTION
Sudden drop in gas flow	Out of gas	Checking the gas in the liquefied petroleum gas tank
	Overcurrent safety device may have been activated	<p>Step 1: Close the control knob and LP gas tank valve.</p> <p>Step 2: Disconnect regulator. Turn burner control knob to "High". Wait at least 5 minutes, then turn burner control knob off.</p> <p>Step 3: Reconnect regulator and check for leaks at gas tank connections.</p> <p>Step 4: Slowly open the LPG tank valve, wait 30 seconds, then light the outdoor fireplace.</p>
Irregular flame pattern, flame does not run the full length of the burner	Burner ports clogged or clogged	<p>Insert a paper clip into each burner port to ensure they are not clogged.</p> <p>WARNING: Make sure burners are not turned on and are cool</p>
Flame blow out	Strong winds or gusts	Turn the flame to high
	Low on LP gas	Replace or refill LP gas tank.
	Overcurrent valve tripped	Refer to Problem: Sudden drop in gas flow
The flame appears to lose heat as it burns. In cold weather when temperatures are below 50°F.	The outer surface of the gas tank has frozen because the outside temperature is too low during the vaporization process.	Turn control knob and LP-gas tank to OFF position. Replace with a spare LP-gas tank and resume combustion. Store spare LP-gas tank in a well-ventilated area away from children.

INSTRUCTION MANUAL



Missing parts? Damaged product? Or other questions?

Before returning the goods, please contact us first. We will do our best to provide you with a satisfactory solution!