

# Cedar Side Table

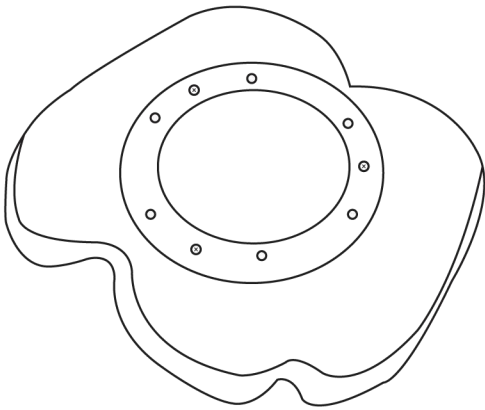
## Package Content

Wood slab x 1    Metal leg x 3    Screw x 6

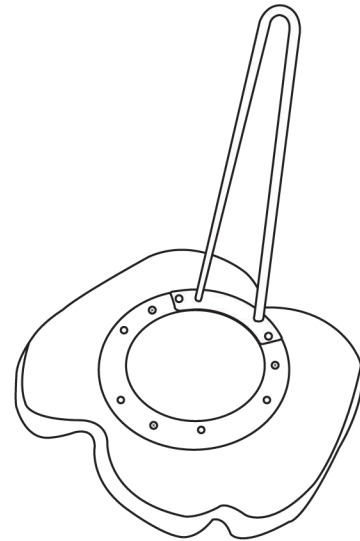
## Tools Needed

Screwdriver

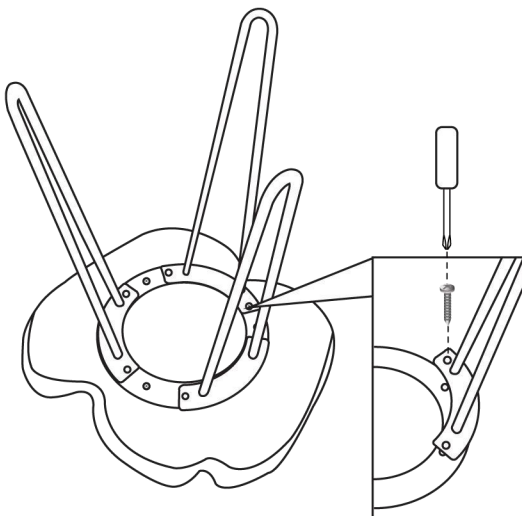
## INSTRUCTION



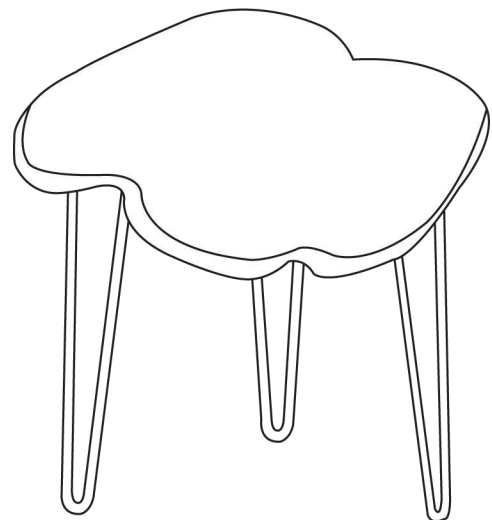
1. Turn your table top upside-down on a scratch free surface.



2. Line up one leg at a time to the holes in the mounting plate.



3. Attach the legs with the screws provided. Please note that the screws provided are the proper length for 1.5" to 2" thick.



4. Flip your completed table over and enjoy!

Please install according to the instruction. We are not responsible for injury or damage resulting from improper installation or use.