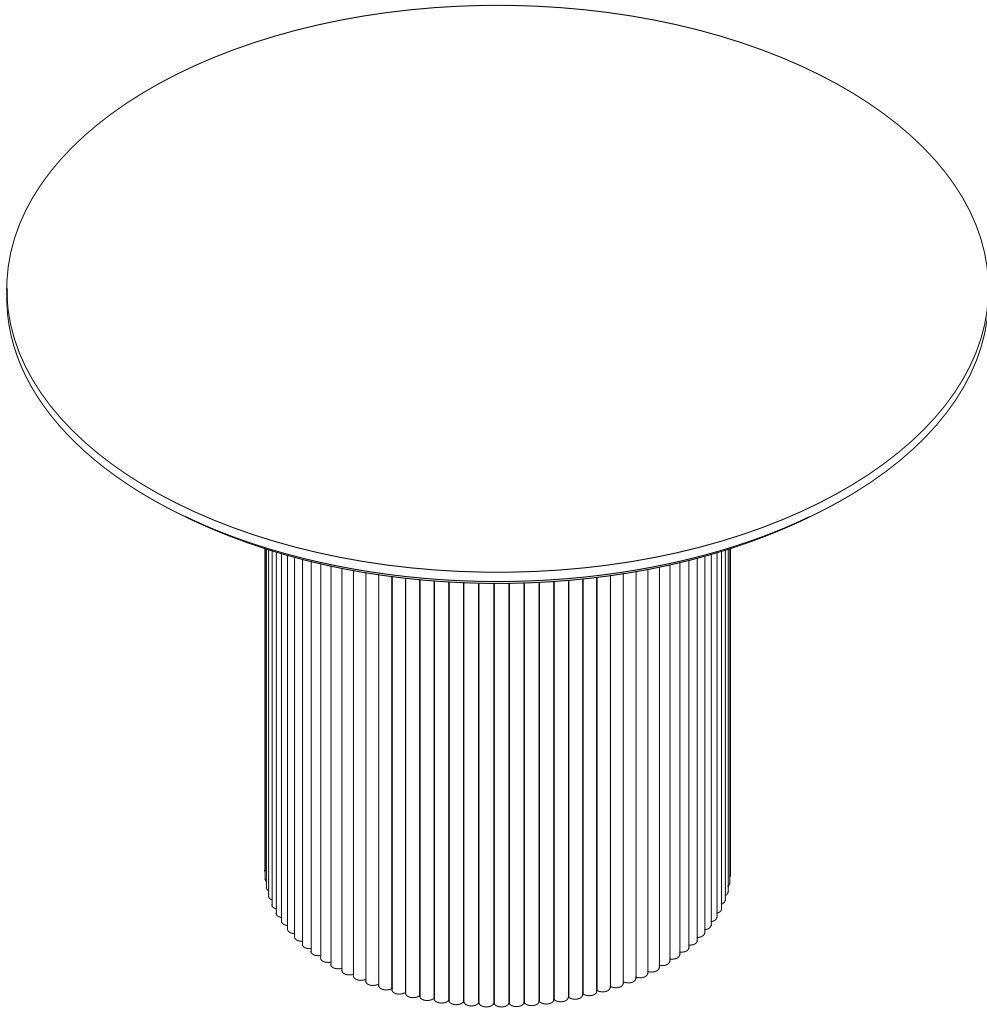


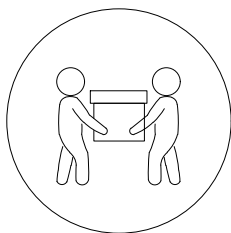
ASSEMBLY INSTRUCTIONS

D3006RT

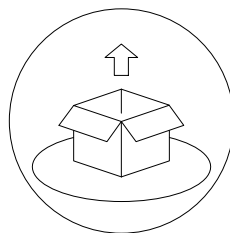


Notice:

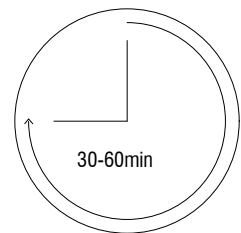
1. Follow the installation instructions. Please confirm all accessories are present before installation.
2. Do not fully tighten the screws during initial assembly. Tighten them completely only after all pieces are correctly aligned.
3. If you encounter any issues during installation, please contact our customer service for assistance.
4. Unbox the item from the side labeled "Open" and lay a protective mat or cloth on the floor to avoid scratches.



Recommended Assembly:
2 people

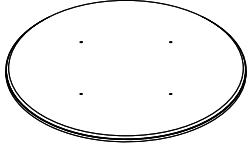
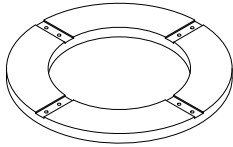
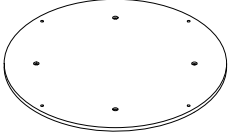
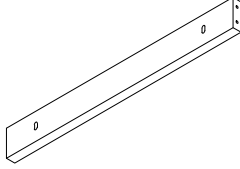
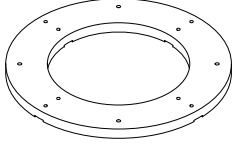
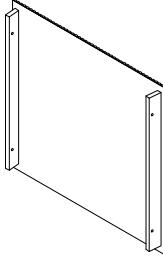


Lay a protective mat
or cloth


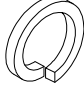
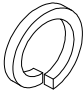

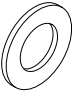
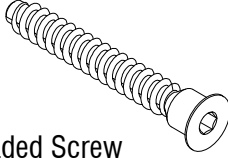
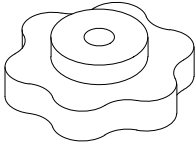
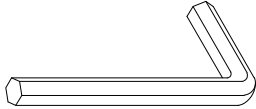
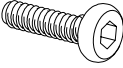



Estimate installation
time

Accessories List

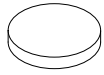
Item no.	Reference Image	Qty	Item no.	Reference Image	Qty
1	 <p>Table Top</p>	1	4	 <p>Disc under support column</p>	1
2	 <p>Plate</p>	1	5	 <p>Support Bar</p>	4
3	 <p>Disc on support column</p>	1	6	 <p>Apron</p>	2

Hardware List

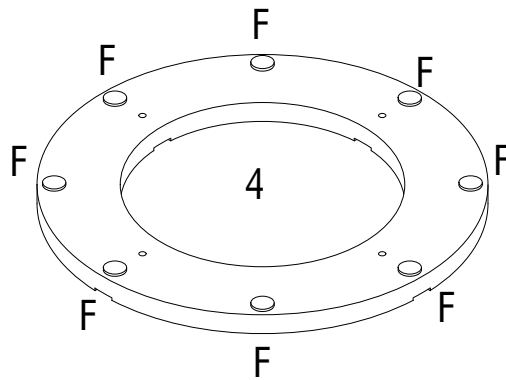
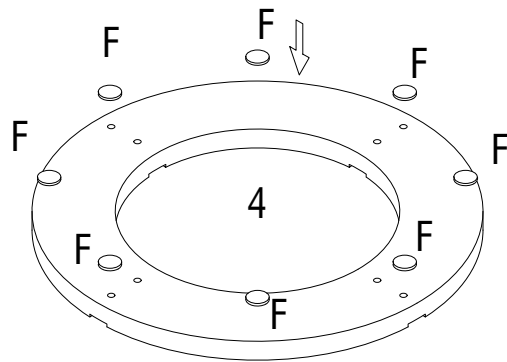
Item no.	Reference Image	Qty	Item no.	Reference Image	Qty
A	1/4"*80  Bolt	4	C	1/4"  Spring Washer	8
	1/4"  Spring Washer	4		1/4"*12  Flat Washer	8
	1/4"*12  Flat Washer	4	D	M7*70  Cross-threaded Screw	16+1
B	1/4"*32  Plum blossom nut	4	E	4  Allen Wrench	1
C	1/4"*25  Bolt	8	F	Ø25*3  Flannelette	8

ASSEMBLY INSTRUCTIONS

1



F 8pcs



Attach the flannelette (F) to the disc under support column (4).

ASSEMBLY INSTRUCTIONS

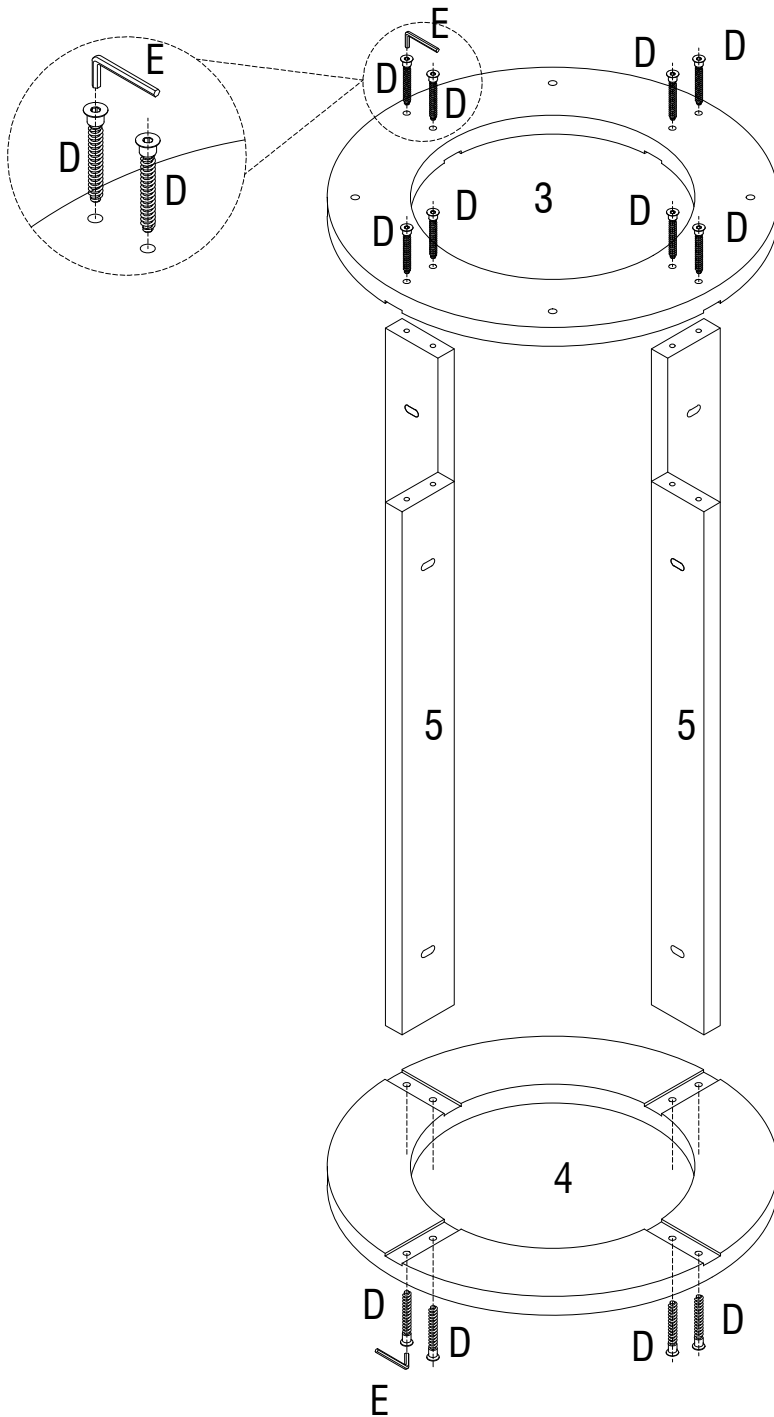
2



D 16pcs



E 1pc



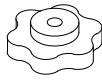
Tighten cross-threaded screw (D) with allen key (E), and lock disc on support column (3) and lock disc under support column (4), support bar (5).

ASSEMBLY INSTRUCTIONS

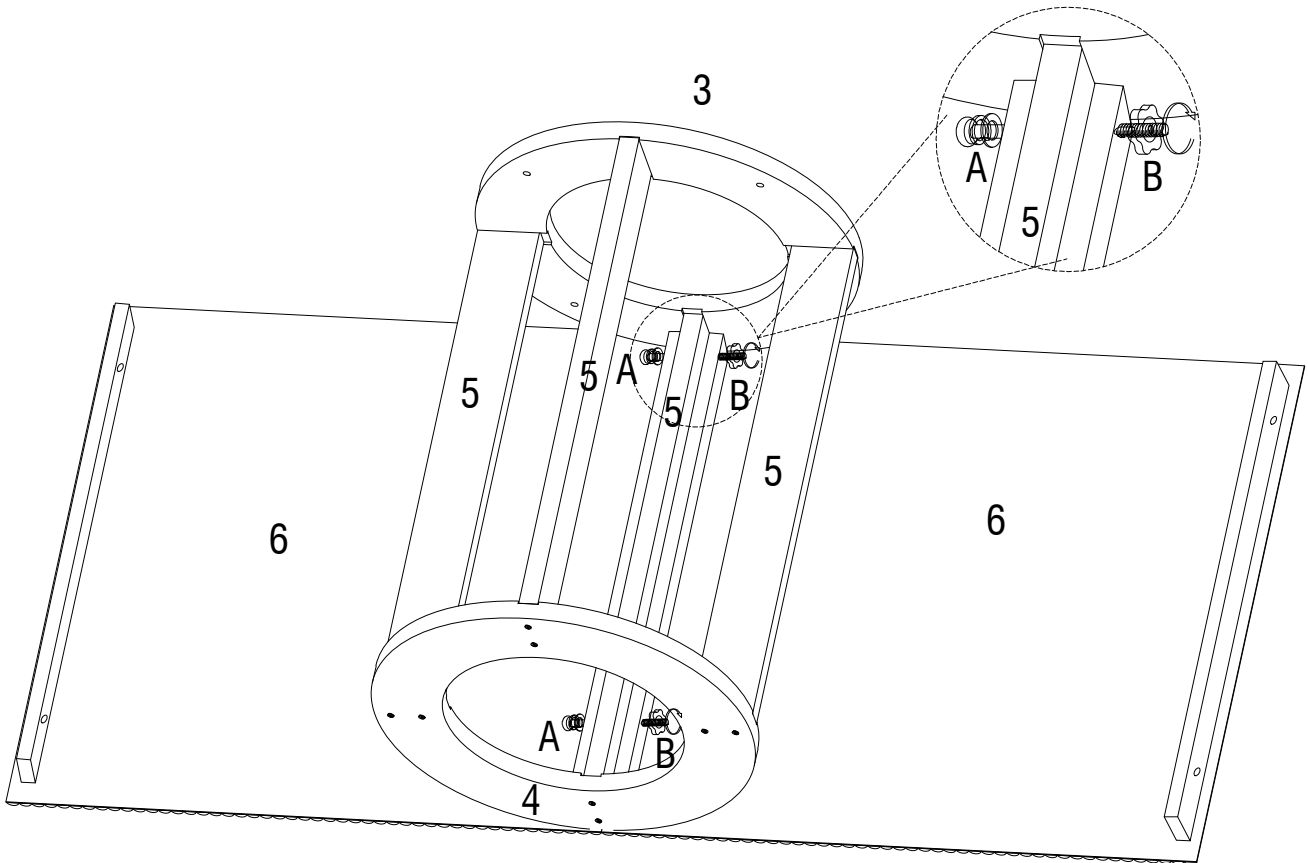
3



A 2pcs



B 2pcs



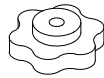
Insert bolt (A) through the apron (6), support bar (5), apron (6) hole slot according to the diagram and then lock it clockwise with plum blossom nut (B).

ASSEMBLY INSTRUCTIONS

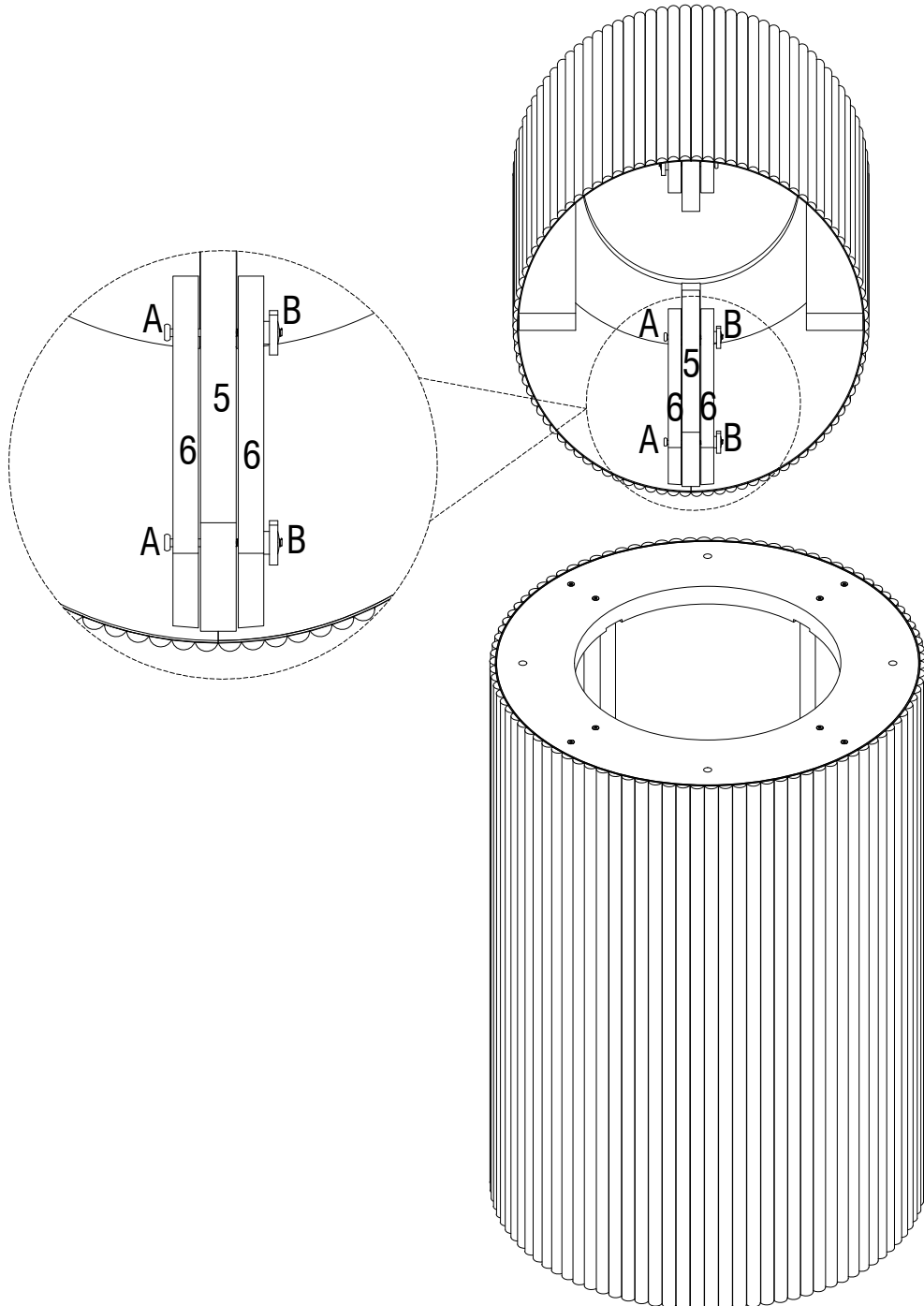
4



A 2pcs




B 2pcs




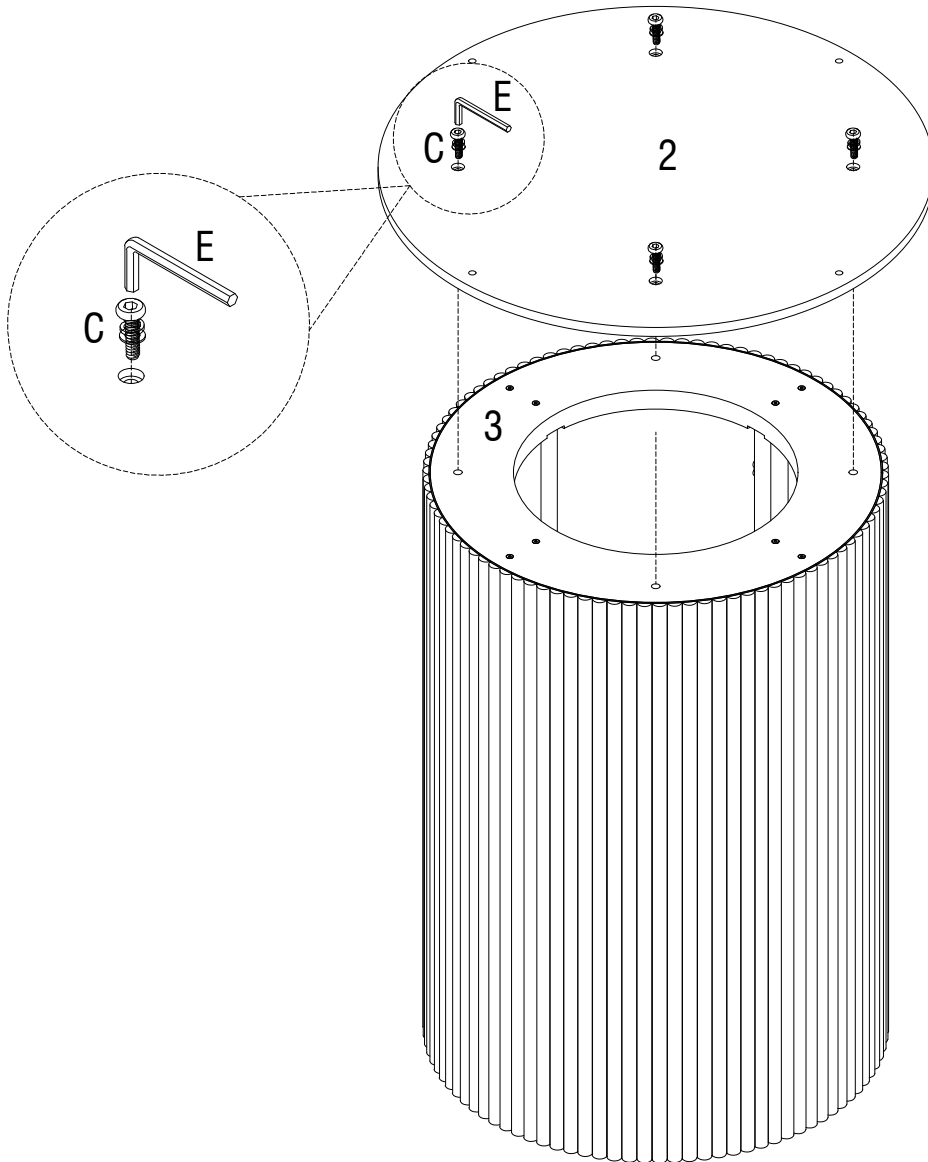
Insert bolt (A) through the apron (6), support bar (5), apron (6) hole slot according to the diagram and then lock it clockwise with plum blossom nut (B).

ASSEMBLY INSTRUCTIONS

5


C 4pcs


E



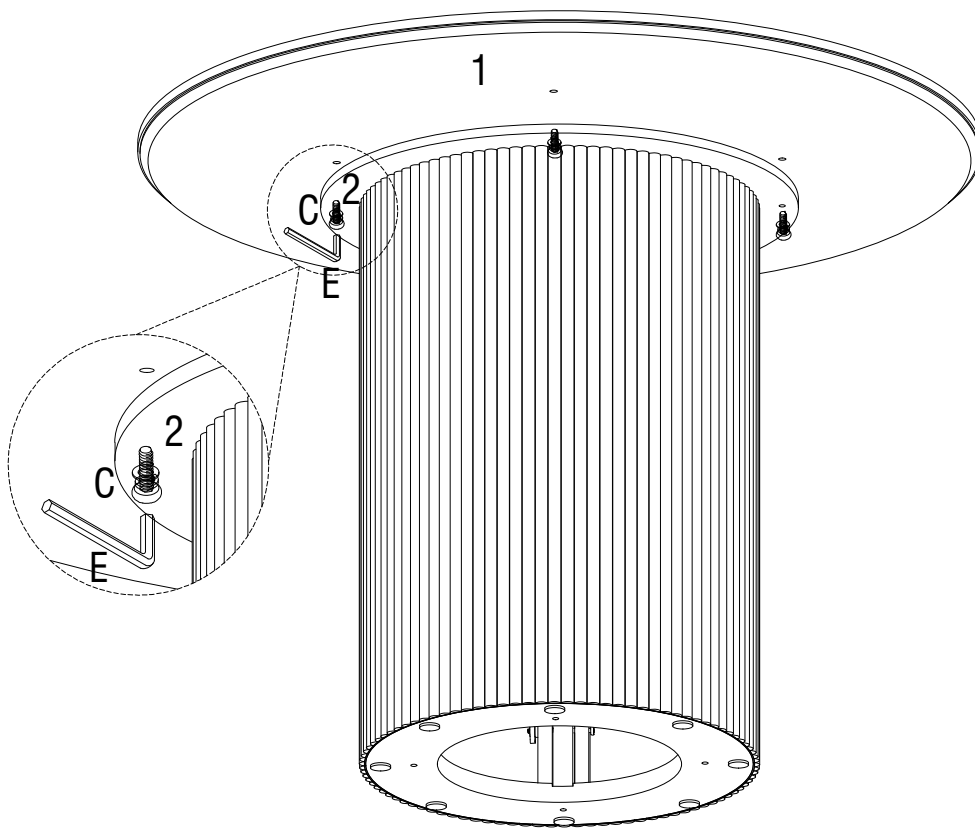
Use a (C) hexagonal bolt ,spring washer ,flat washer and allen wrench (E) to lock plate (2) to the upper disc of the support column (3).

ASSEMBLY INSTRUCTIONS

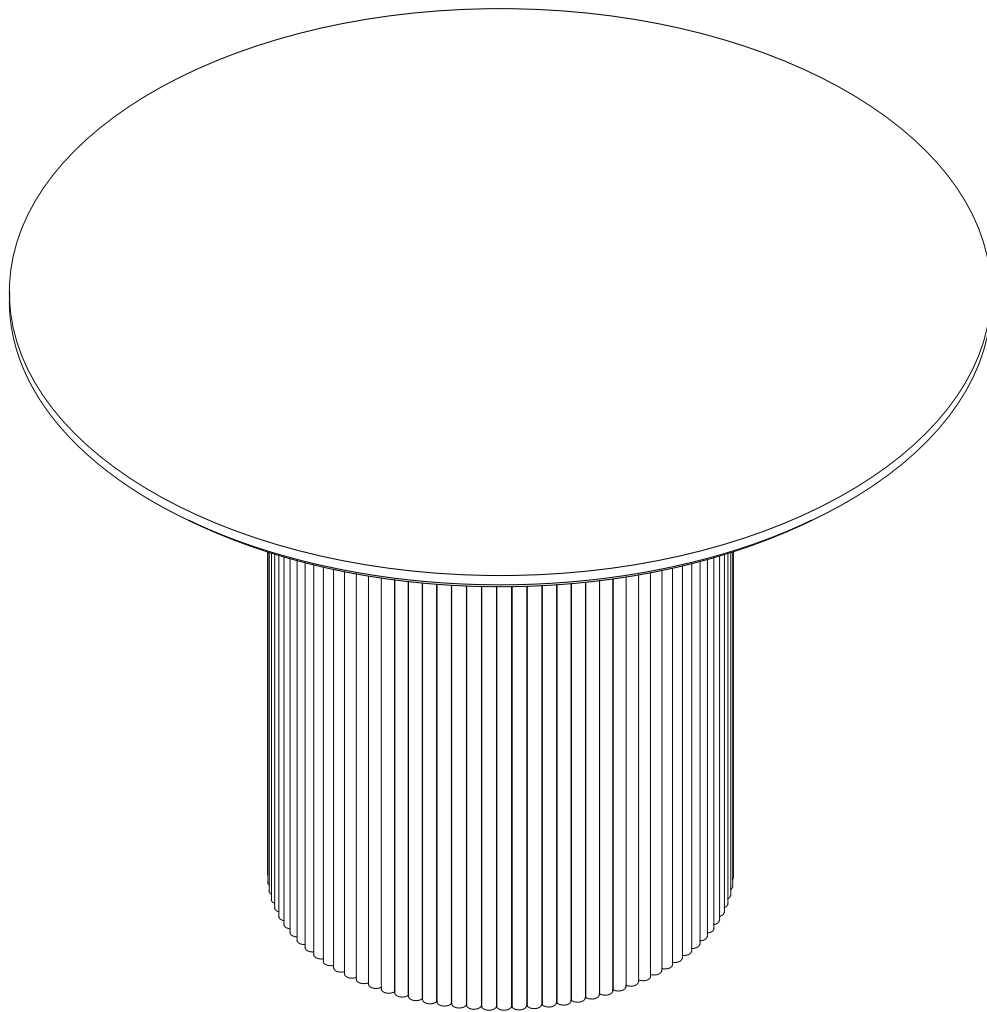
6

C 4pcs

E



Use a (C) hexagonal bolt ,spring washer,flat washer and allen wrench (E) to lock plate (2) to the table top (1).



General care and maintenance.

Please clean with a damp cloth or mild detergent, do not use bleach or abrasive cleaners. Do not allow the spill to stay on the surface for a long time.

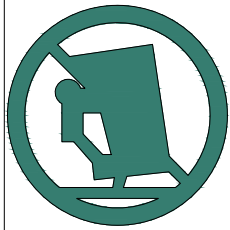
Do not clean with products containing the following: acetone (e.g., nail varnish remover), ammonia (e.g.bleach), or sodium hydroxide(e.g., caustic soda, drain, and oven cleaners). If the product is accidentally exposed to the irritating liquid, rinse thoroughly with clean water.

Please check whether there are missing screws in the product regularly.

The product should not be discarded with household waste, and please take it to your local authority waste disposal center.



WARNING



Never allow children to climb or hang on the table. Do not place heavy items on the table, as this may cause the table to tip over.