

>>assembly instructions

Congratulations on your latest purchase.

Now what? Don't start sweating over this box of parts. This will be easy. We did the hard work for you. All you need to do is follow our simple instructions and you'll be on your way to transforming your room in no time. Good luck --though we're confident you won't need it.

## **before you begin**

1. Check for damaged or missing parts. Customers can email or call to order missing supplies.
2. Use the carton as a working surface to prevent product damage during assembly.
3. Gather all tools prior to assembly.

# table of contents



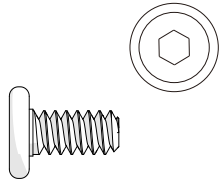
introduction	2
hardware	4
parts list	5
assembly	6-9

# hardware

---

(A) x 12

Φ 6mm x 12mm  
round hex screw



(B) x 1

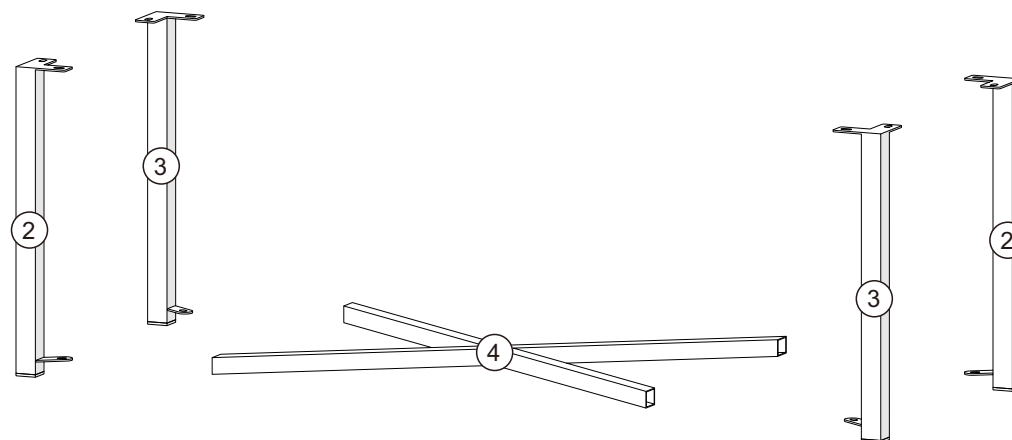
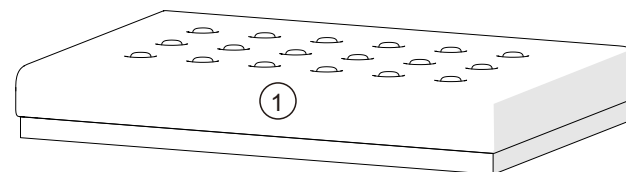
4mm Ball end  
Hex wrench



ITEM DESCRIPTION QUANTITY



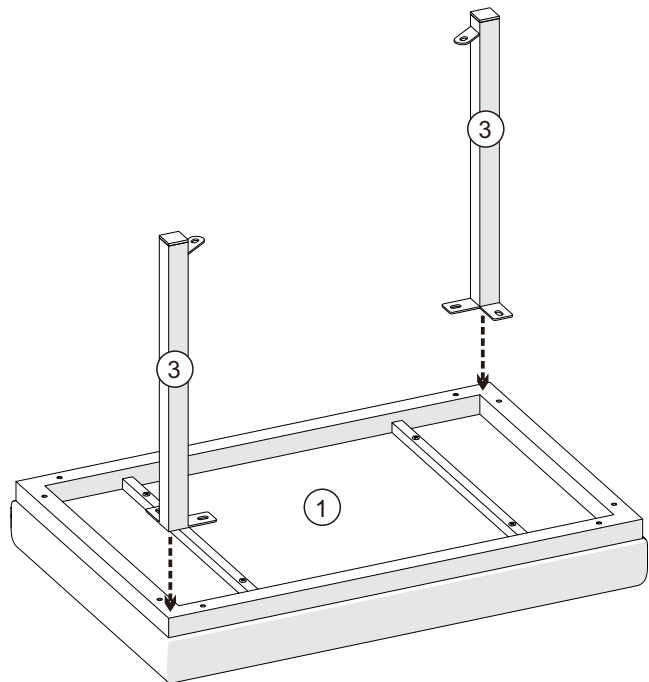
①	chair cushion	1
②	front leg	2
③	back leg	2
④	iron frame	1



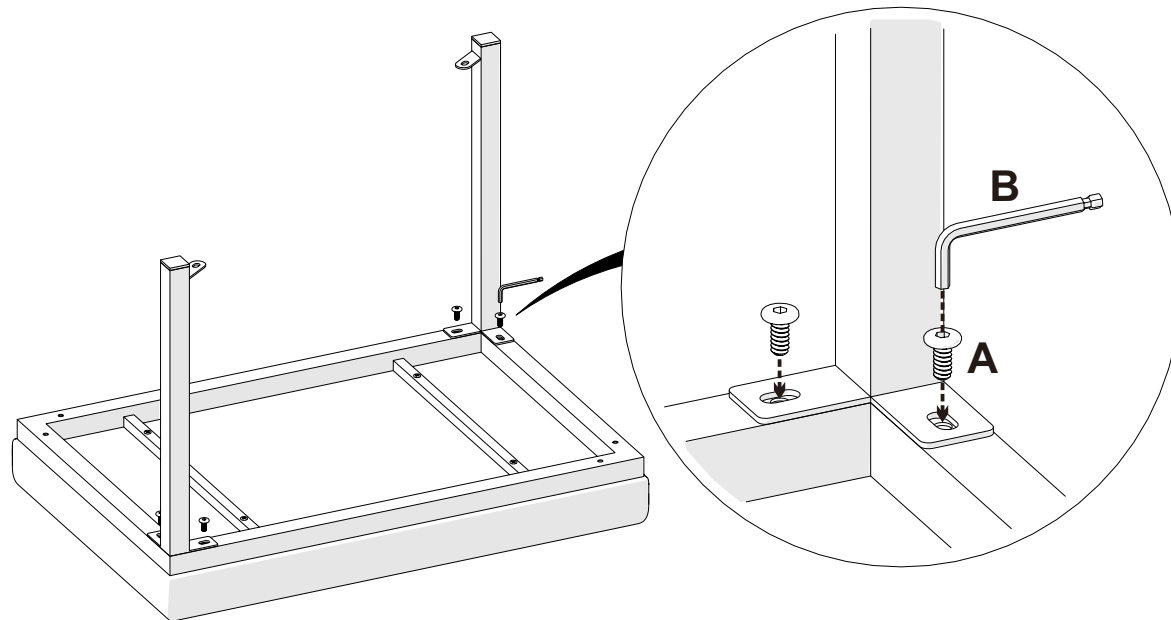
# step 1.

---

1



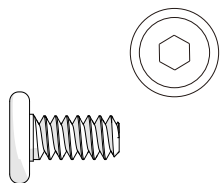
2



---

(A) x 4

Φ 6mm x 12mm  
round hex screw



(B) x 1

4mm Ball end  
Hex wrench

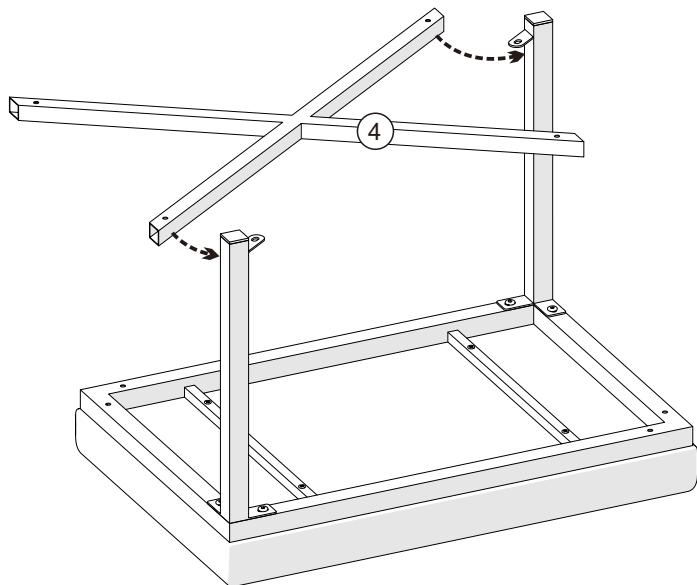


Please do not assemble with power tools

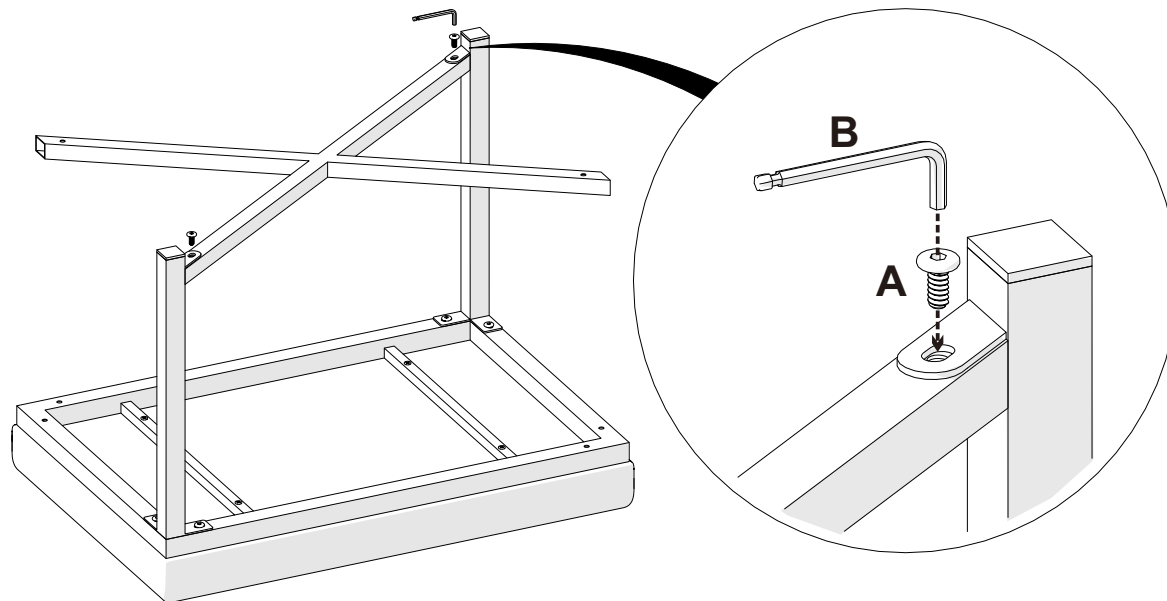
## step 2.

---

1



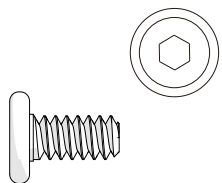
2



---

(A) x 2

Φ 6mm x 12mm  
round hex screw



(B) x 1

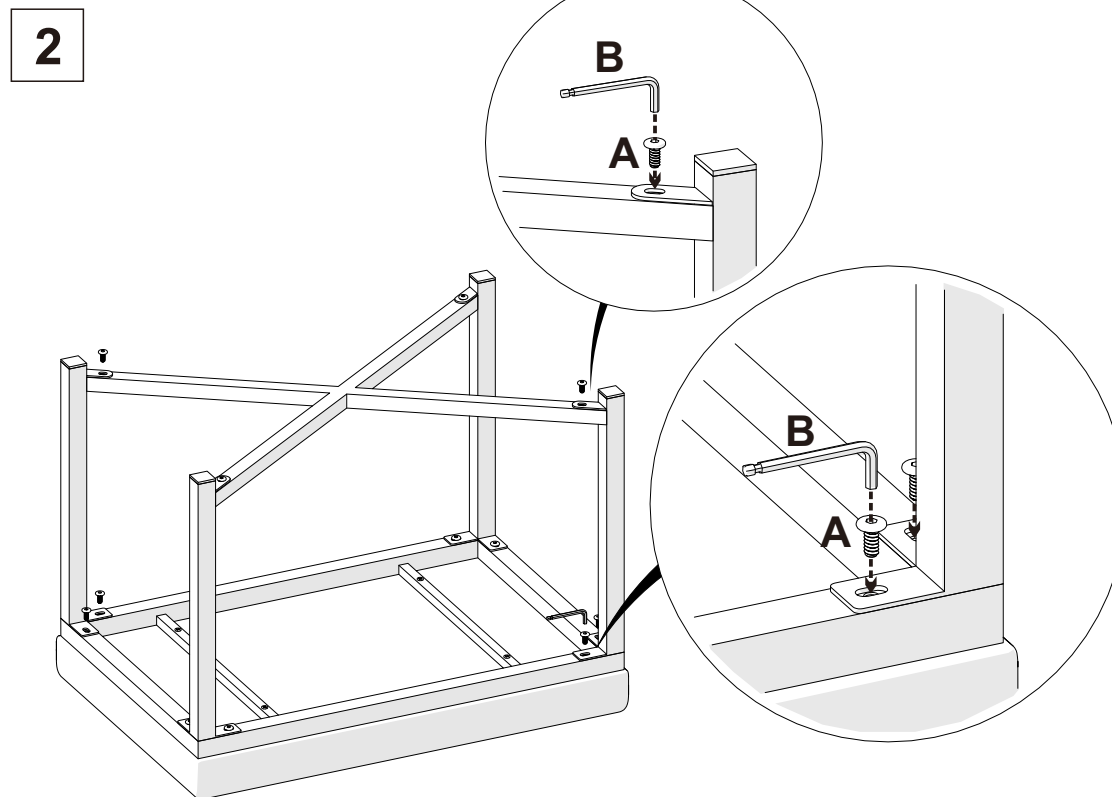
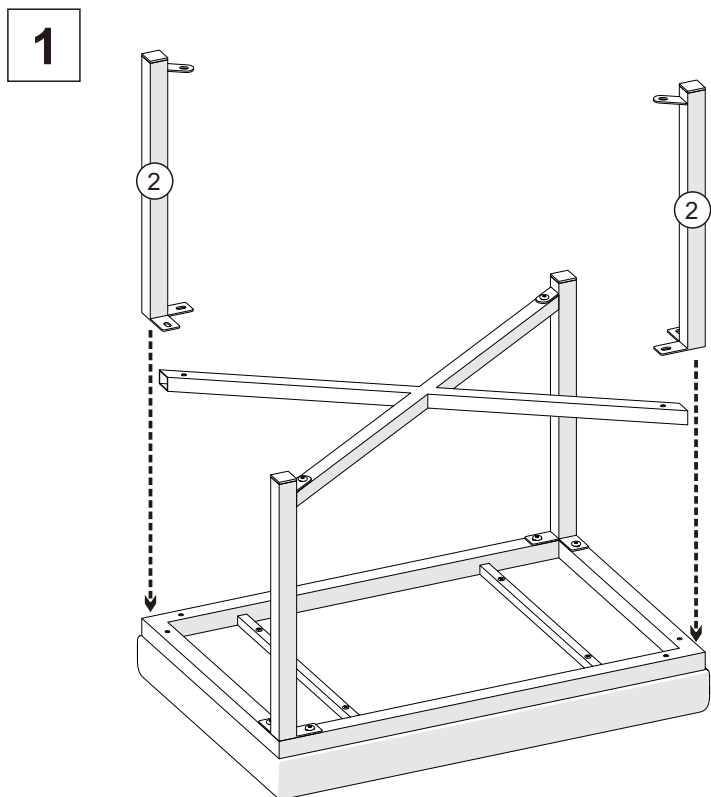
4mm Ball end  
Hex wrench



Please do not assemble with power tools

# step 3.

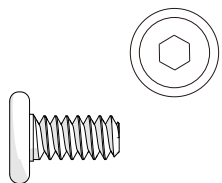
---



---

**(A)** x 6

Φ 6mm x 12mm  
round hex screw



**(B)** x 1

4mm Ball end  
Hex wrench



Please do not assemble with power tools

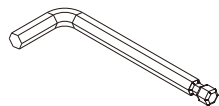


## step 4.

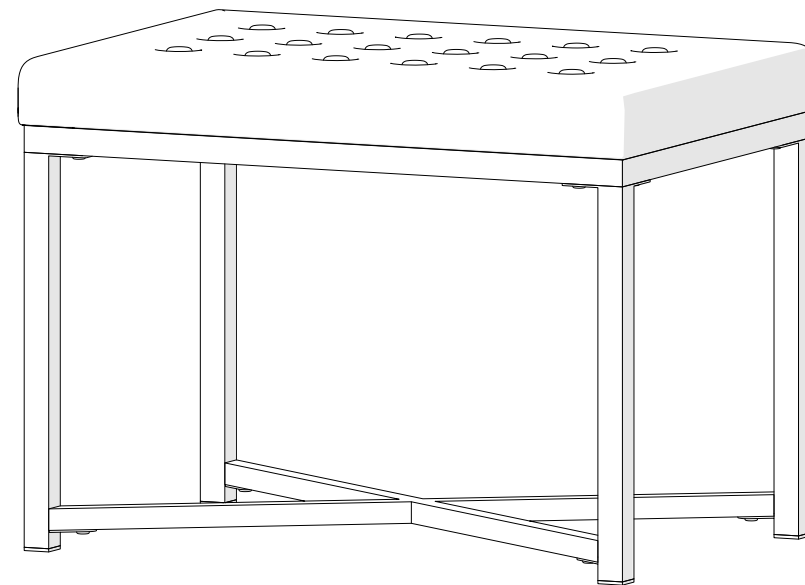
---

A friendly reminder from us:

Please keep the Allen wrench.



After a period of time, there may be a chance the KD furniture may become loose, please use an Allen wrench to tighten the loose bolts.



---

Level the furniture, use leveling feet if needed.