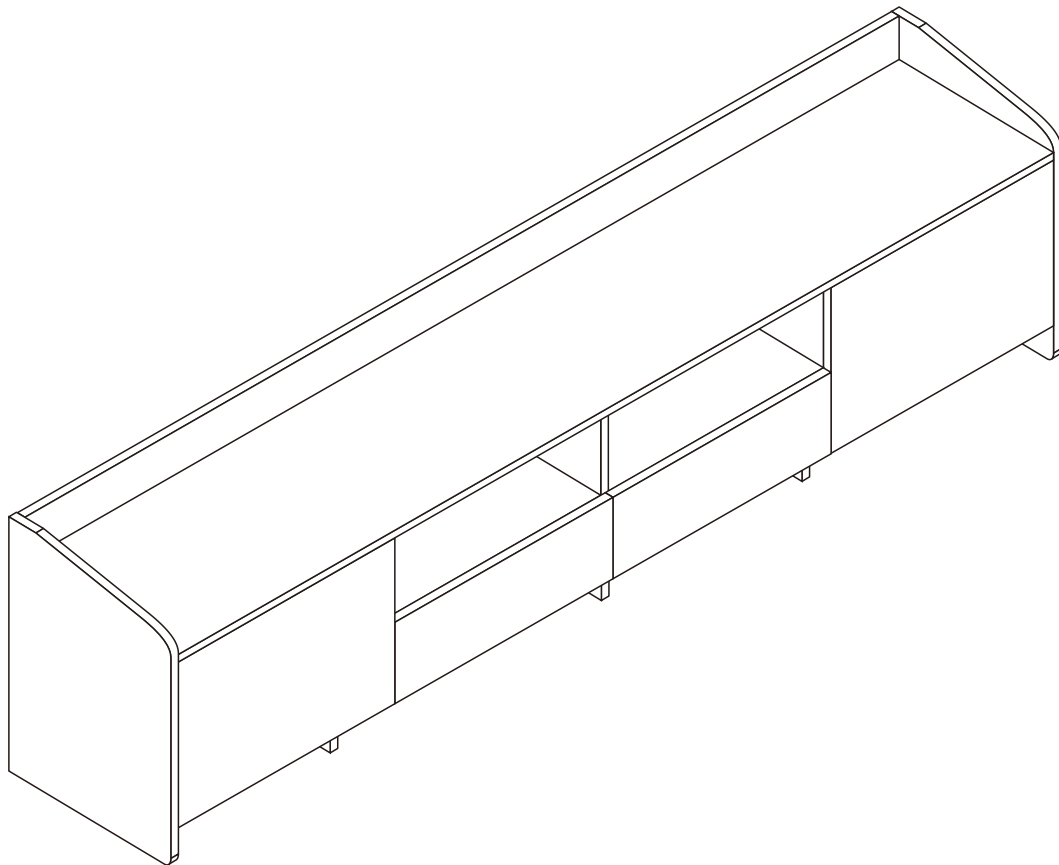


# ST-5010#

TV stand

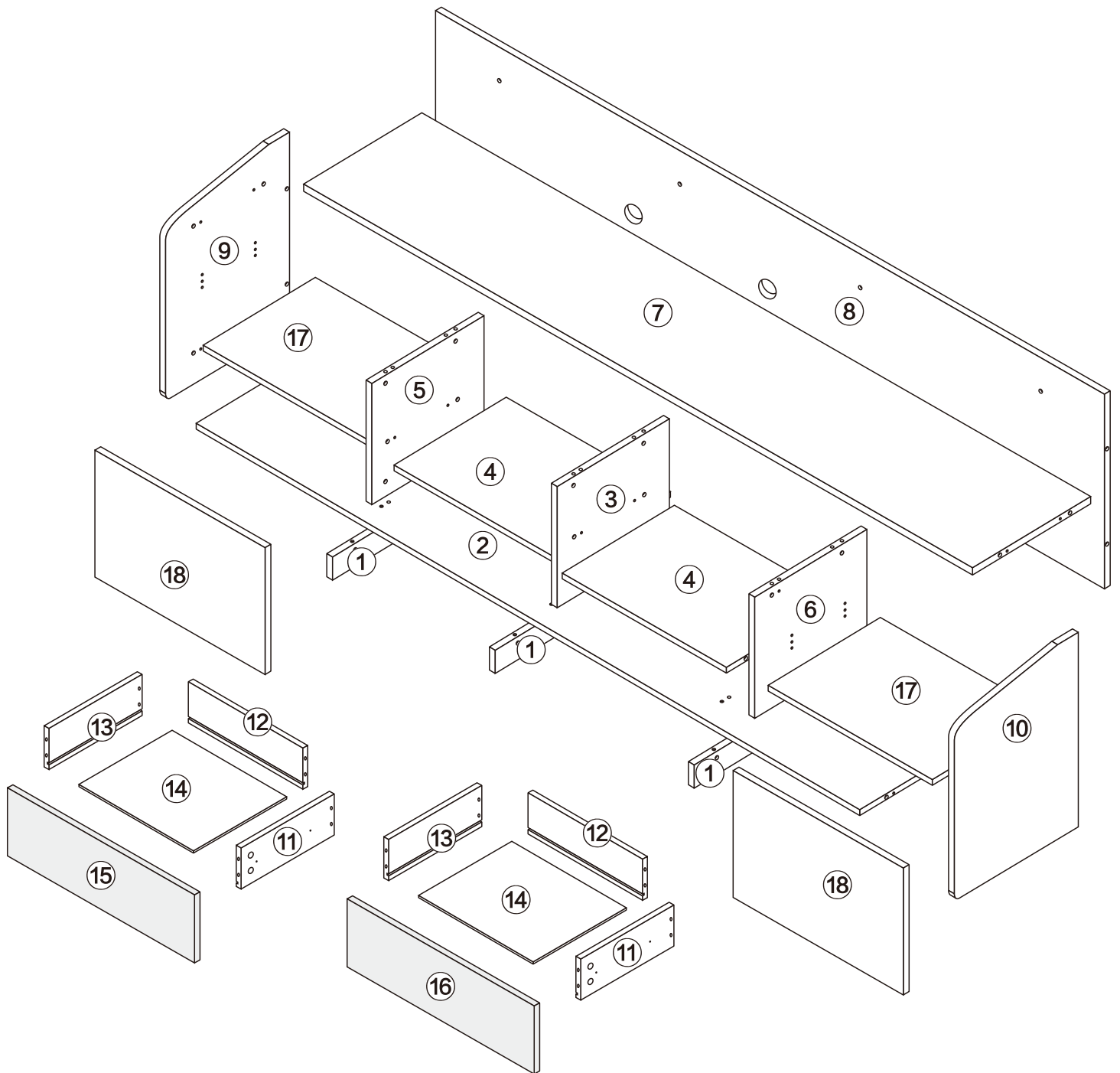


2 Persons

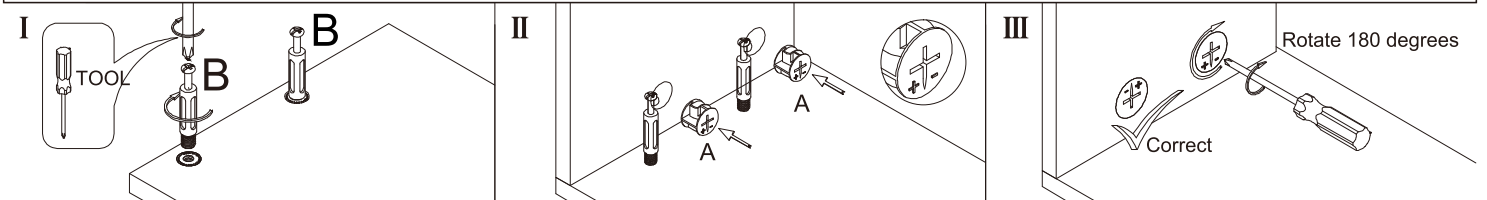
L2000\*W400W\*H550mm














## Installation Instructions

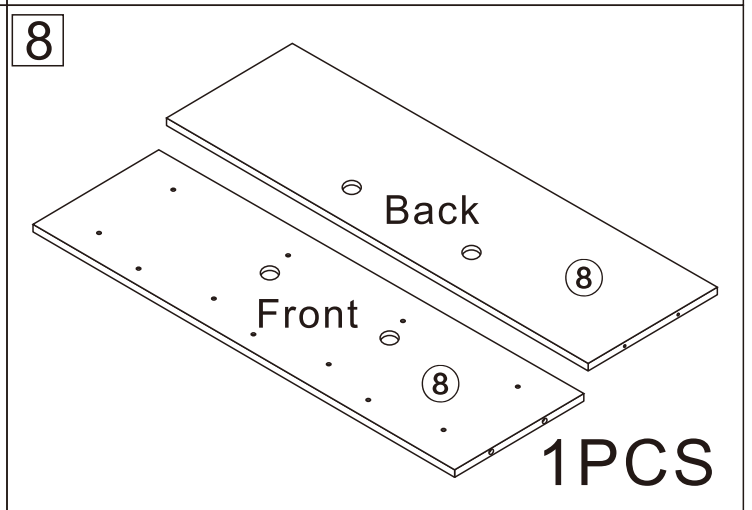
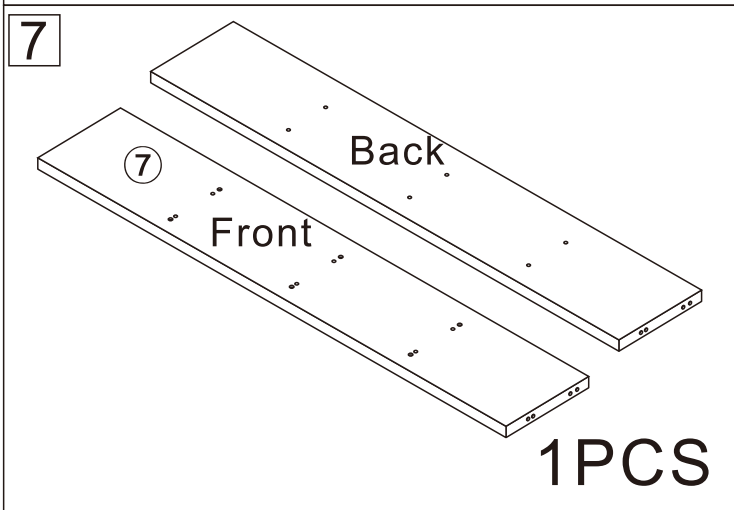
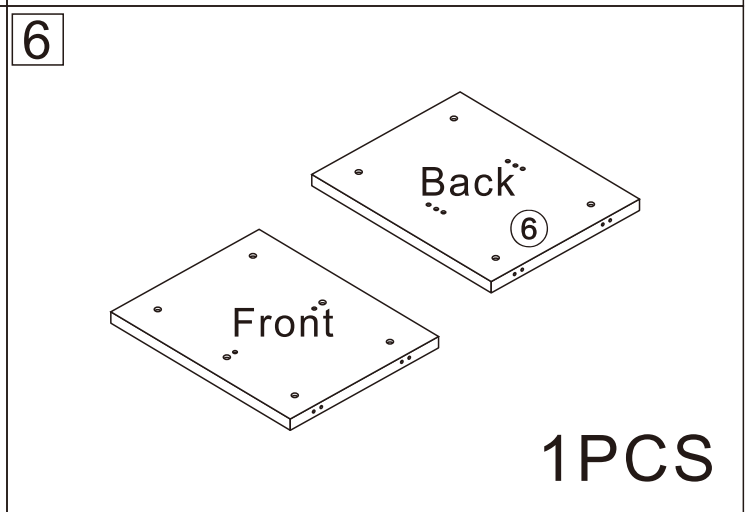
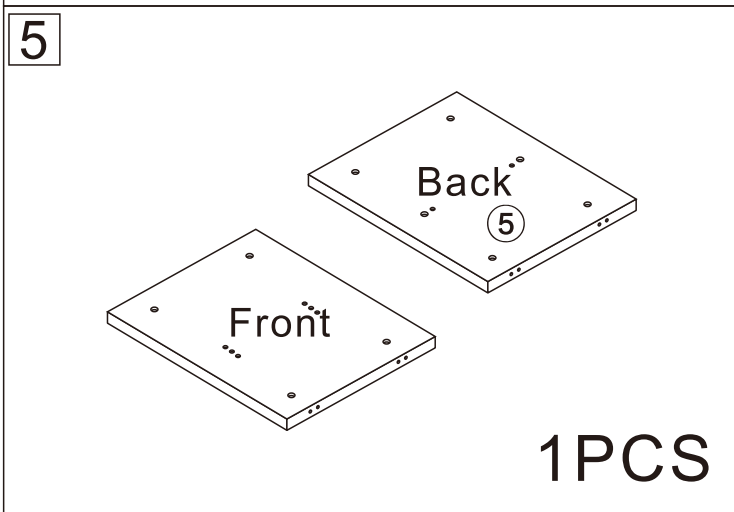
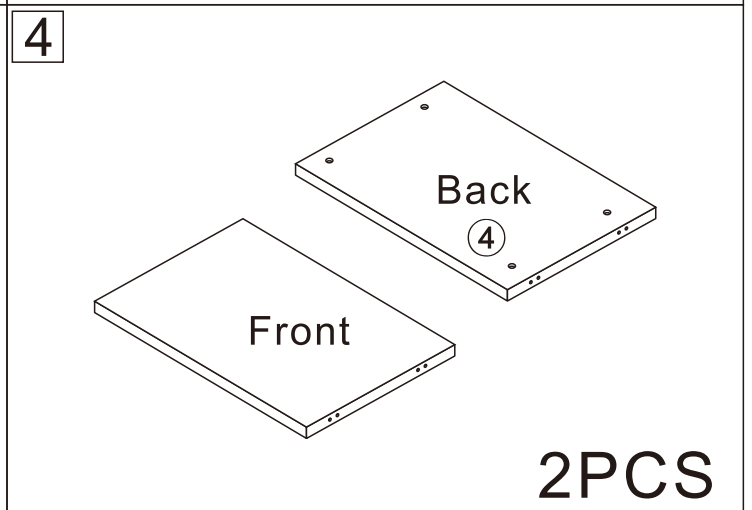
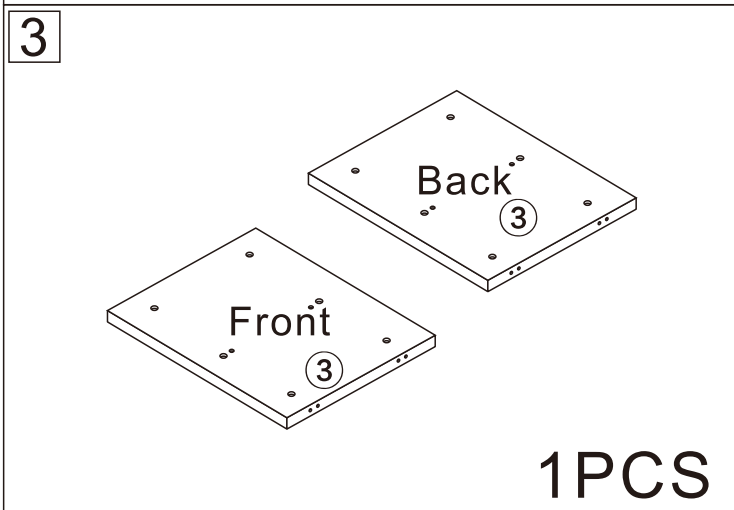
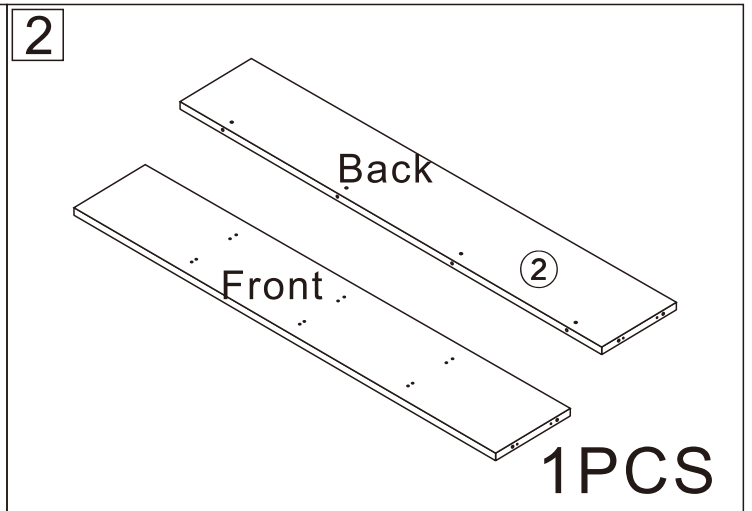
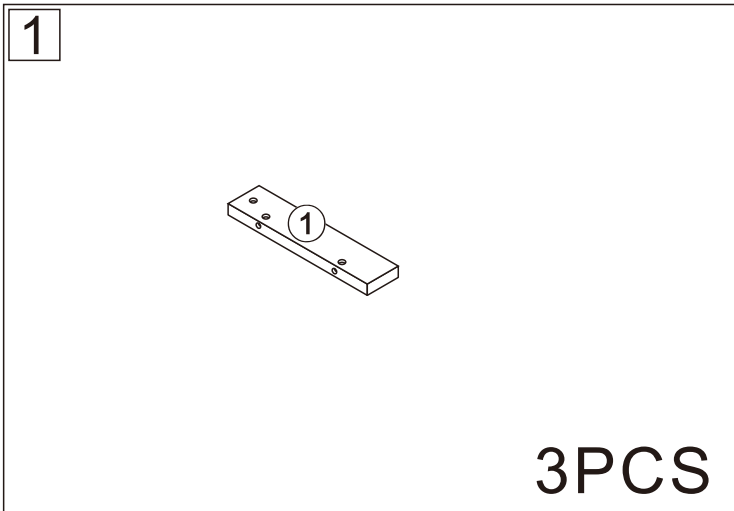
Notes: Don't tighten screws completely at first, just in case parts were assembled wrongly and need disassemble. Tighten screws at last when all parts are put together.

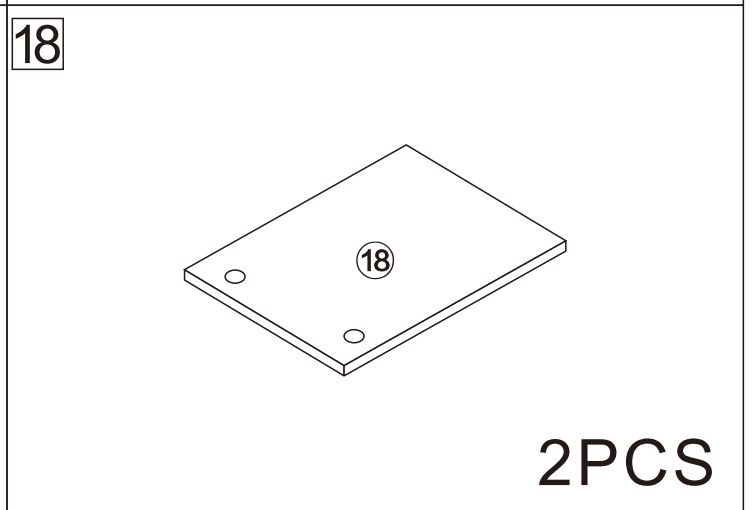
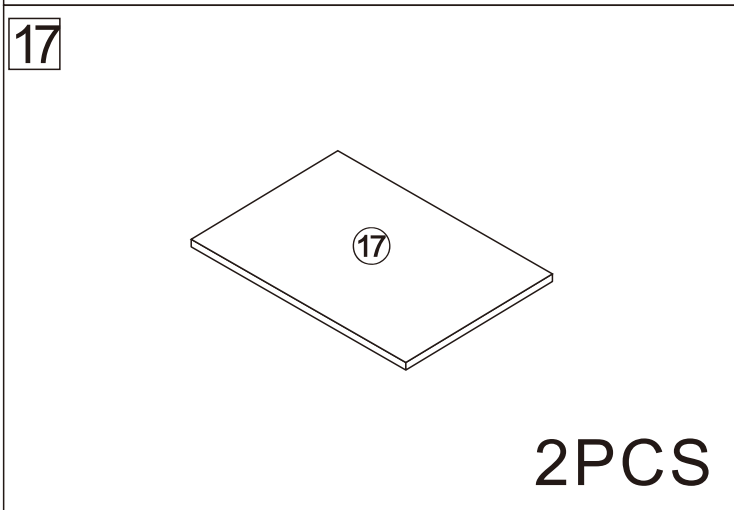
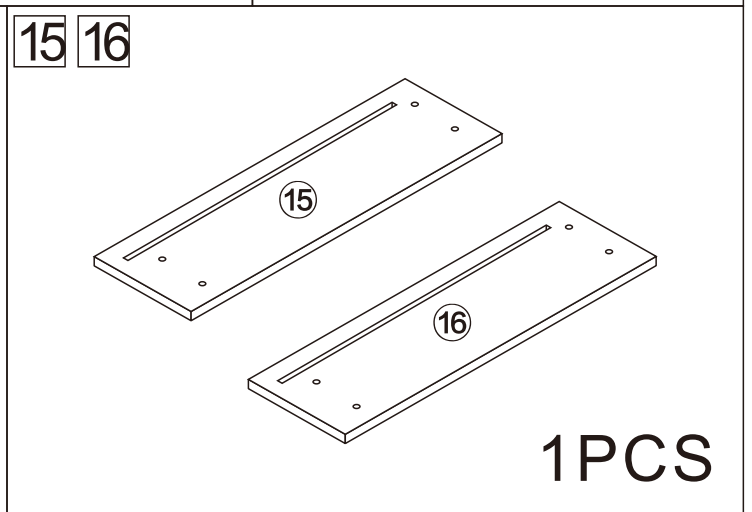
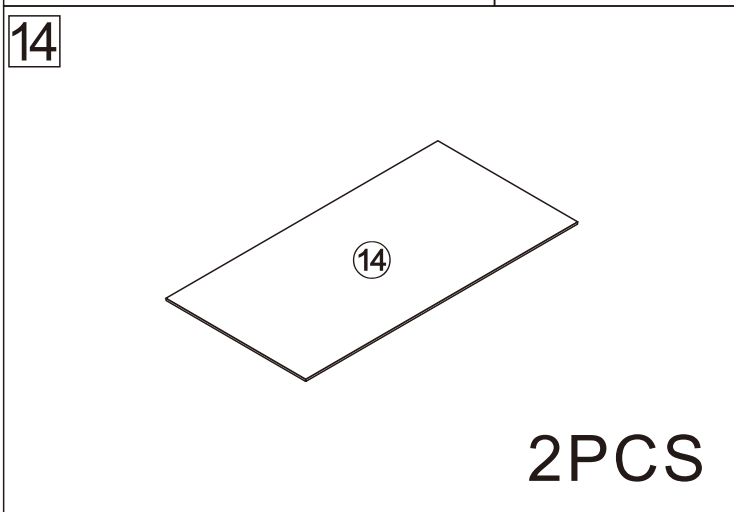
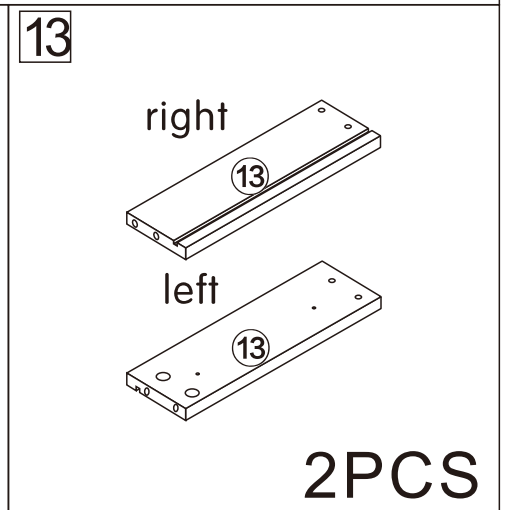
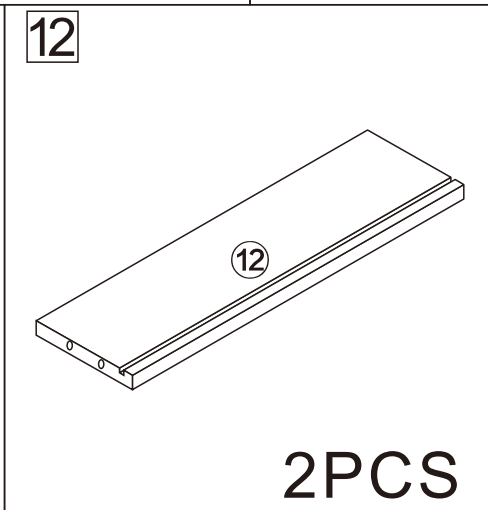
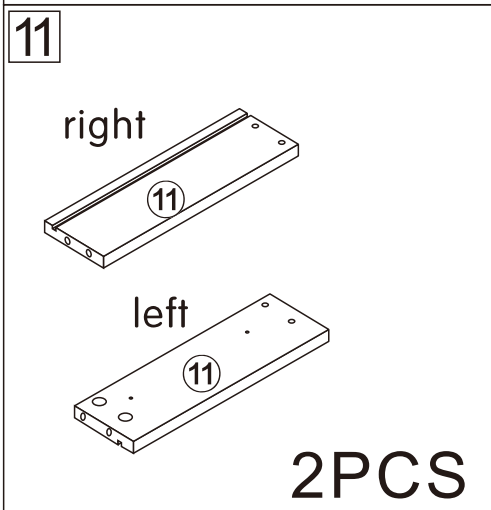
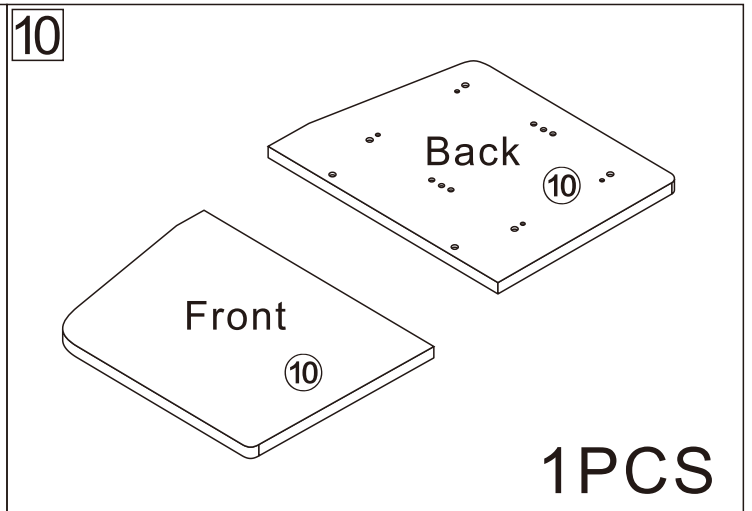
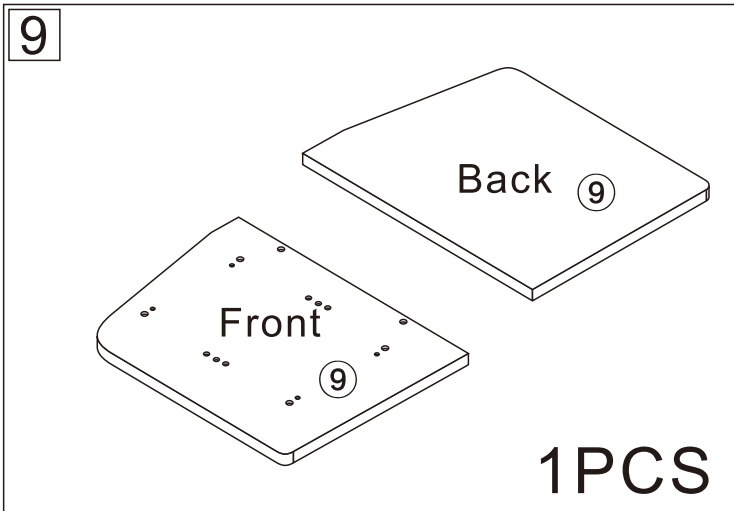


Disassembly and installation of accessories

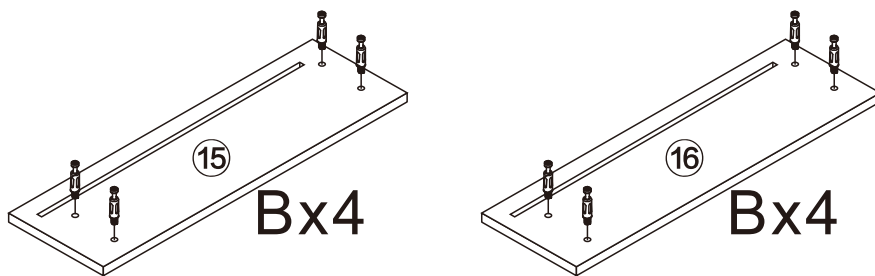
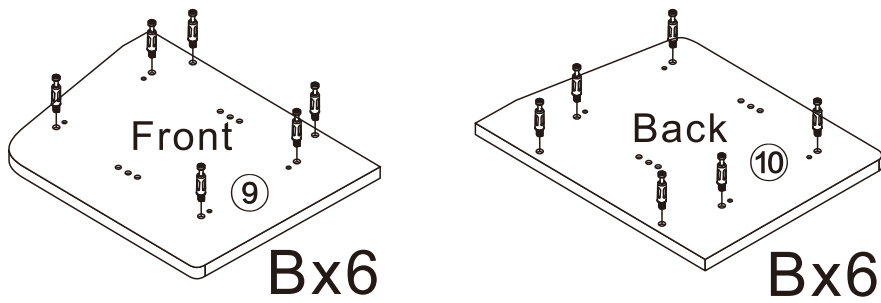
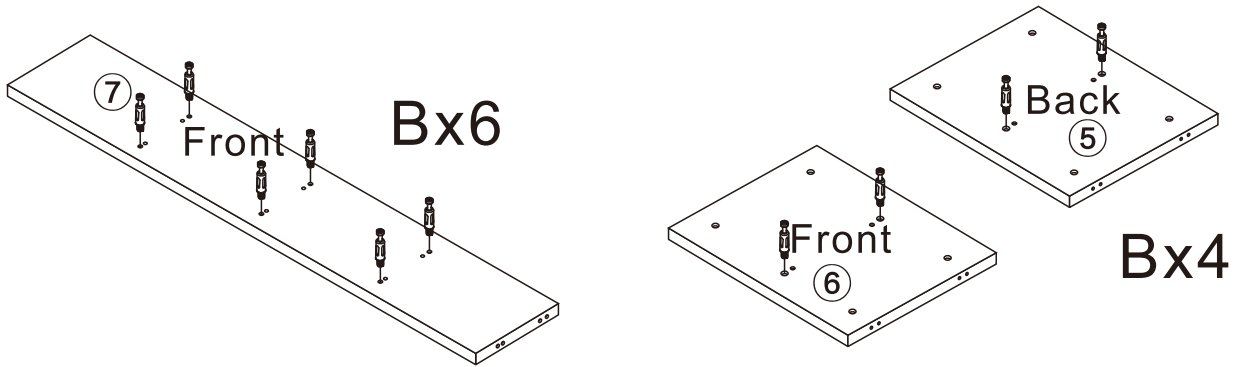
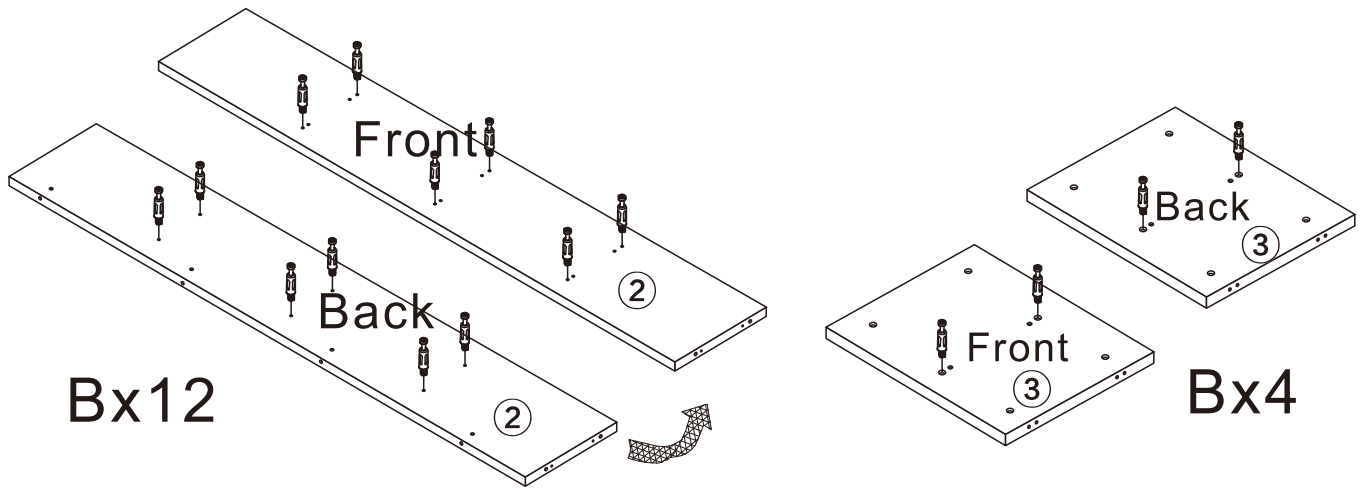



<b>A</b> 46PCS  15*10mm	<b>B</b> 46PCS  6*28mm	<b>C</b> 16PCS  3.5*14mm	<b>D</b> 4PCS  Three-section Rail	<b>E</b> 8PCS  3.5*40mm	<b>F</b> 28PCS  8*30mm	<b>G</b> 14PCS  φ 15mm	 Tools Recommended
<b>H</b> 4PCS 	<b>I</b> 16PCS  4*12mm	<b>J</b> 8PCS 	<b>K</b> 11PCS  4*40mm	<b>L</b> 2PCS 			





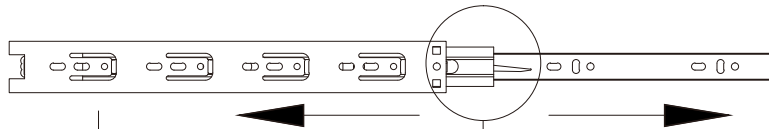
1



B	46PCS
	
6*28mm	

2

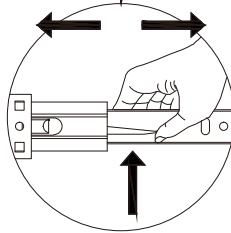
Dx4




D<sub>1</sub>



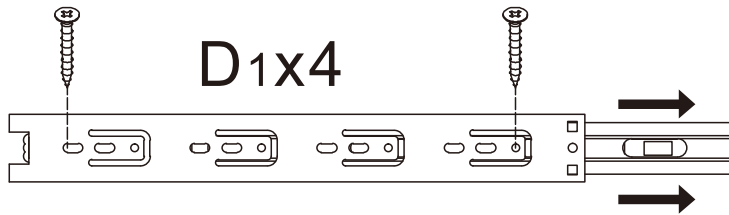
D<sub>2</sub>



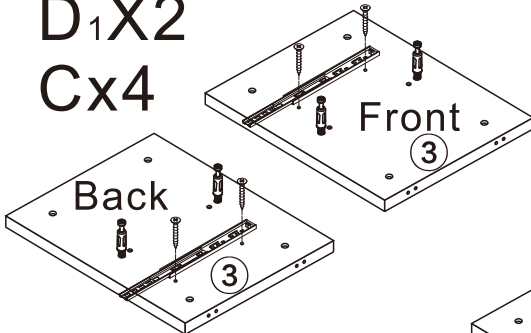
D <sub>1</sub>	4PCS
	
Three-section Rail	

3

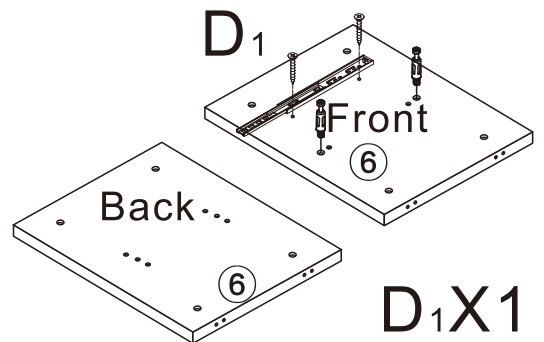
D<sub>1</sub>X4



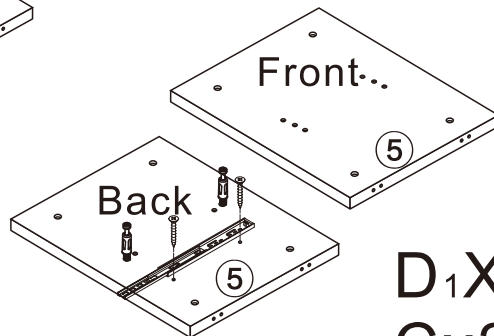
D<sub>1</sub>X2  
Cx4




D<sub>1</sub>




D<sub>1</sub>X1  
Cx2

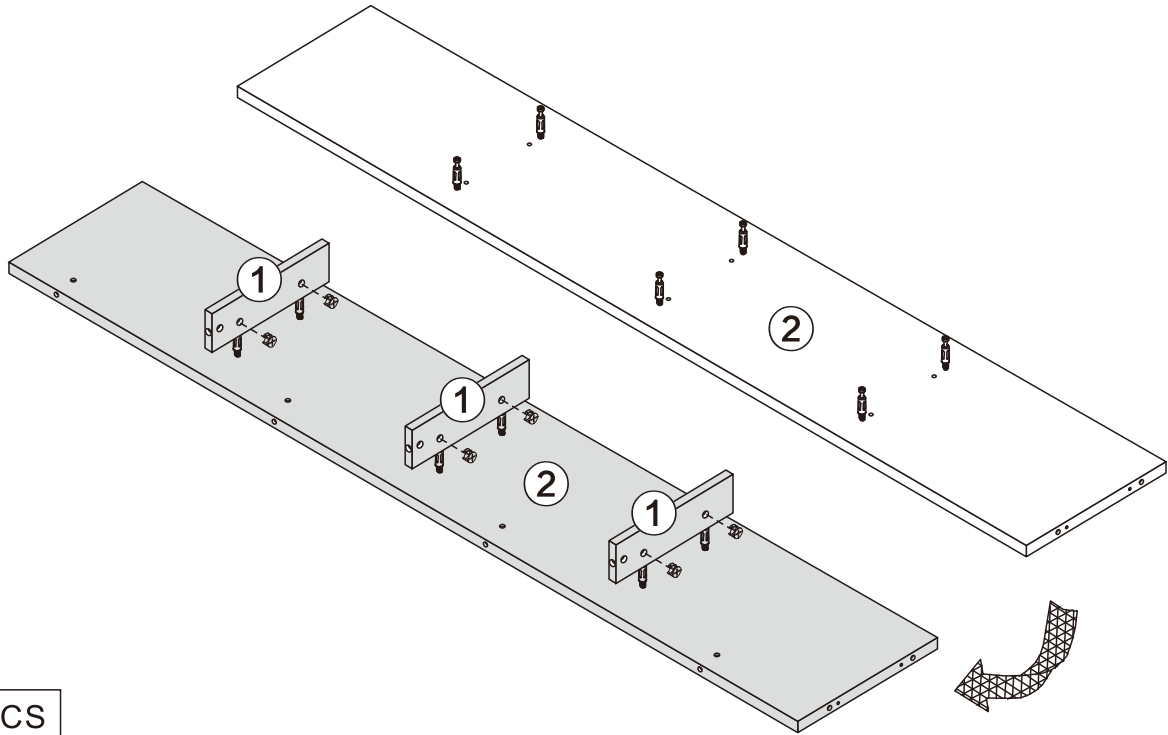


D<sub>1</sub>X1  
Cx2

C	8PCS
	
3.5*14mm	

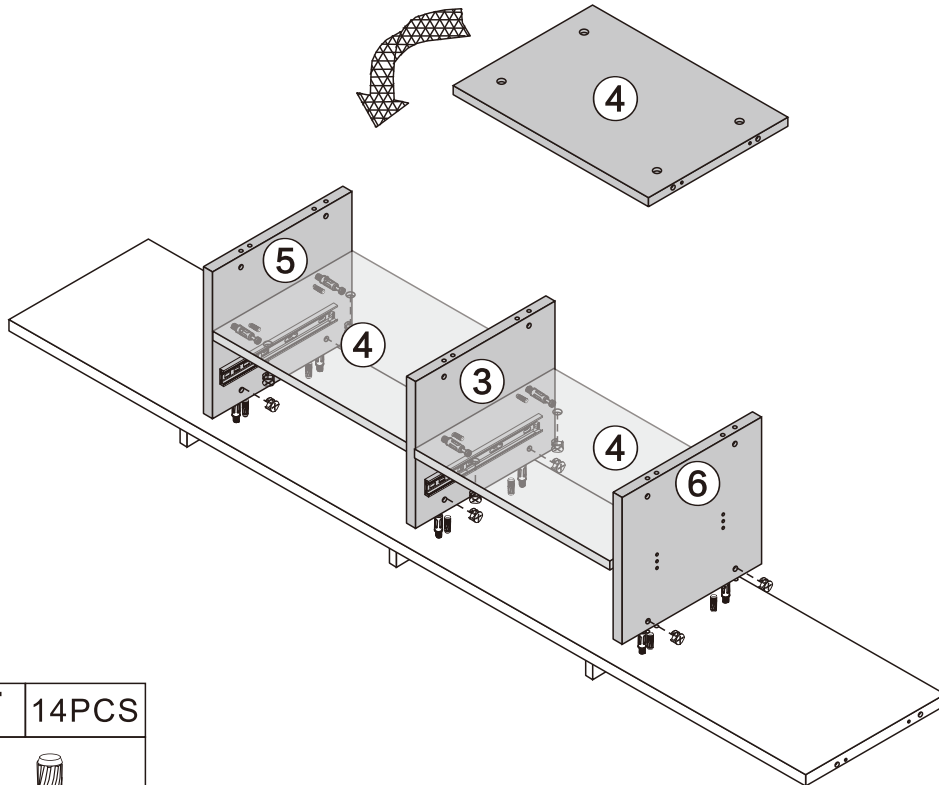
D <sub>1</sub>	4PCS
	
Three-section Rail	

4



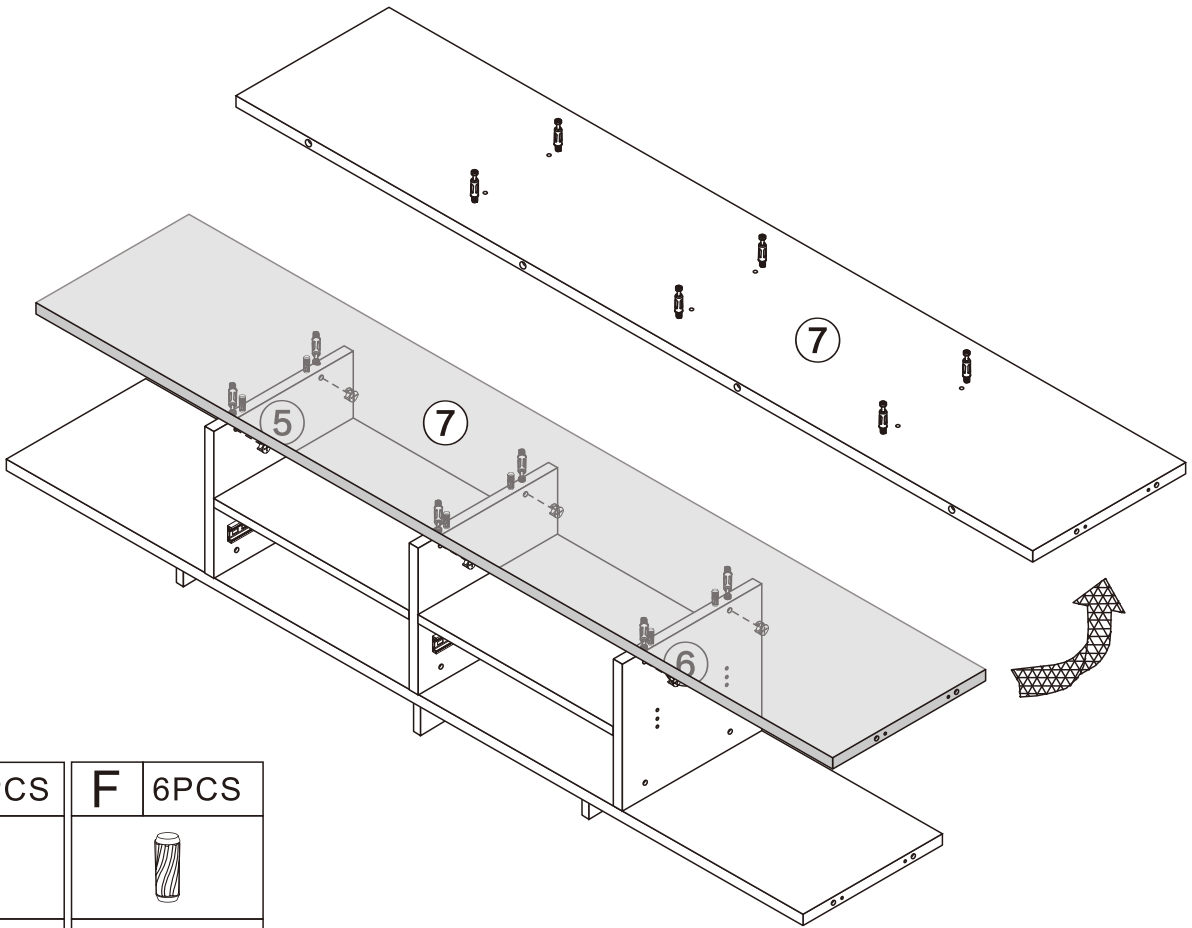
<b>A</b>	6PCS
15*10mm	



5



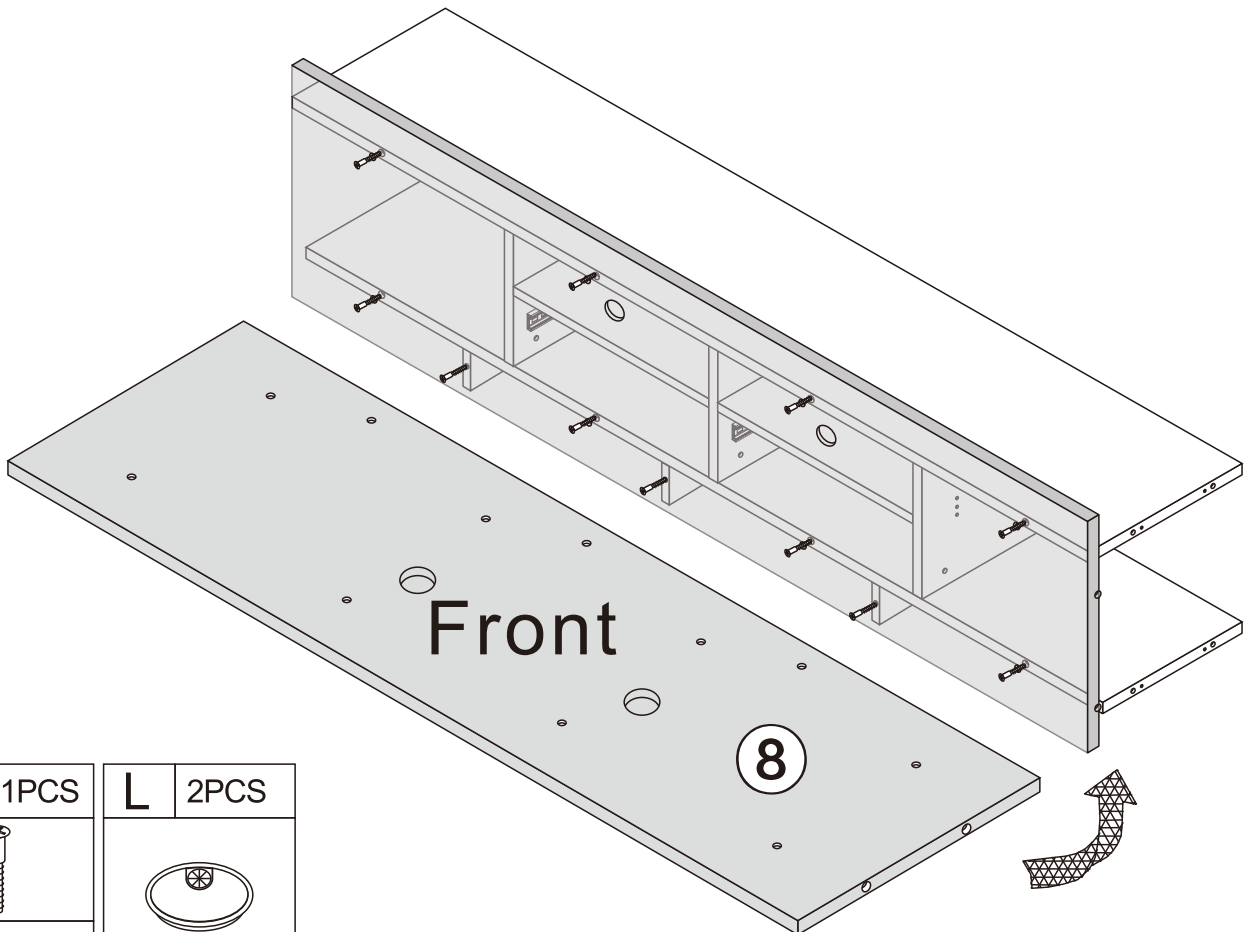
<b>A</b>	14PCS	<b>F</b>	14PCS
15*10mm		8*30mm	



6



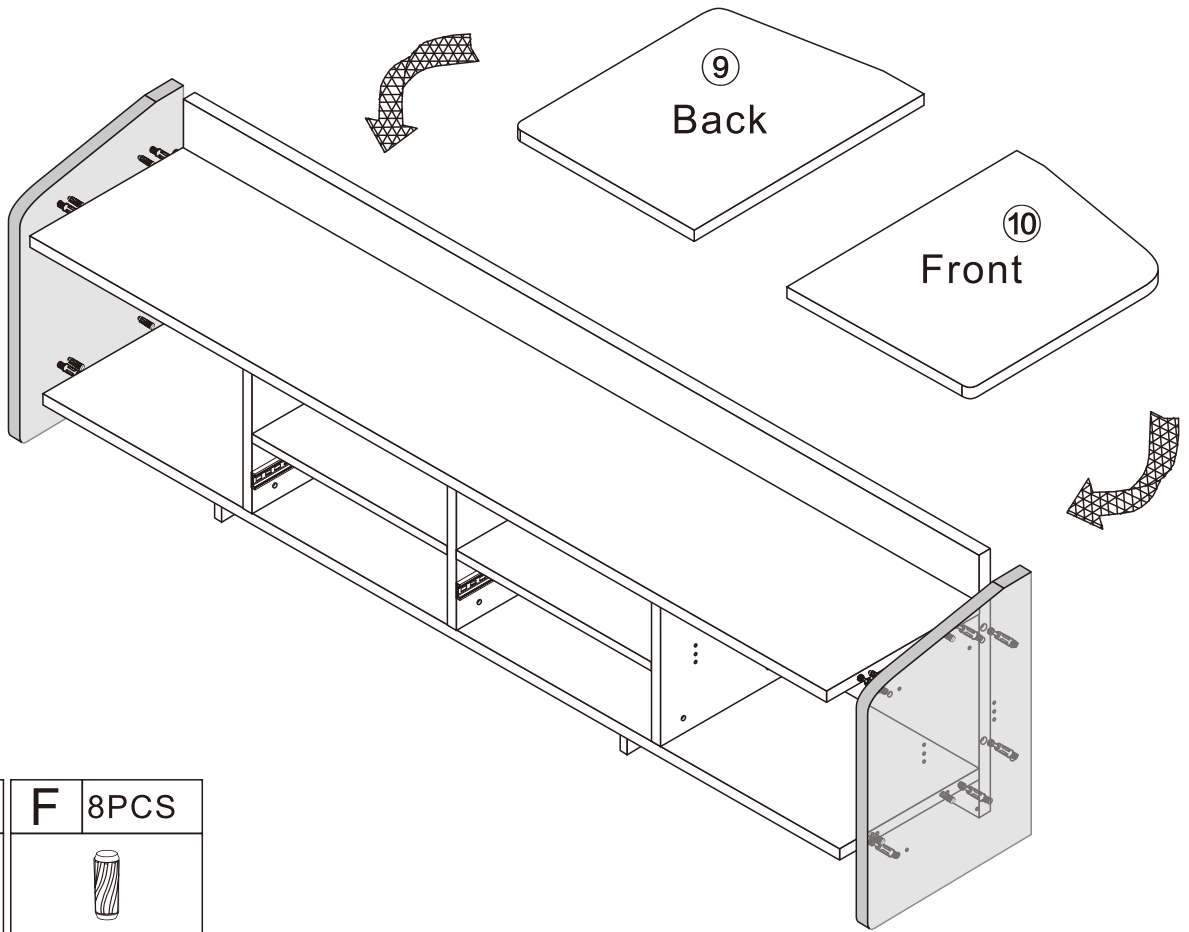
<b>A</b>	6PCS	<b>F</b>	6PCS
			
15*10mm		8*30mm	



7



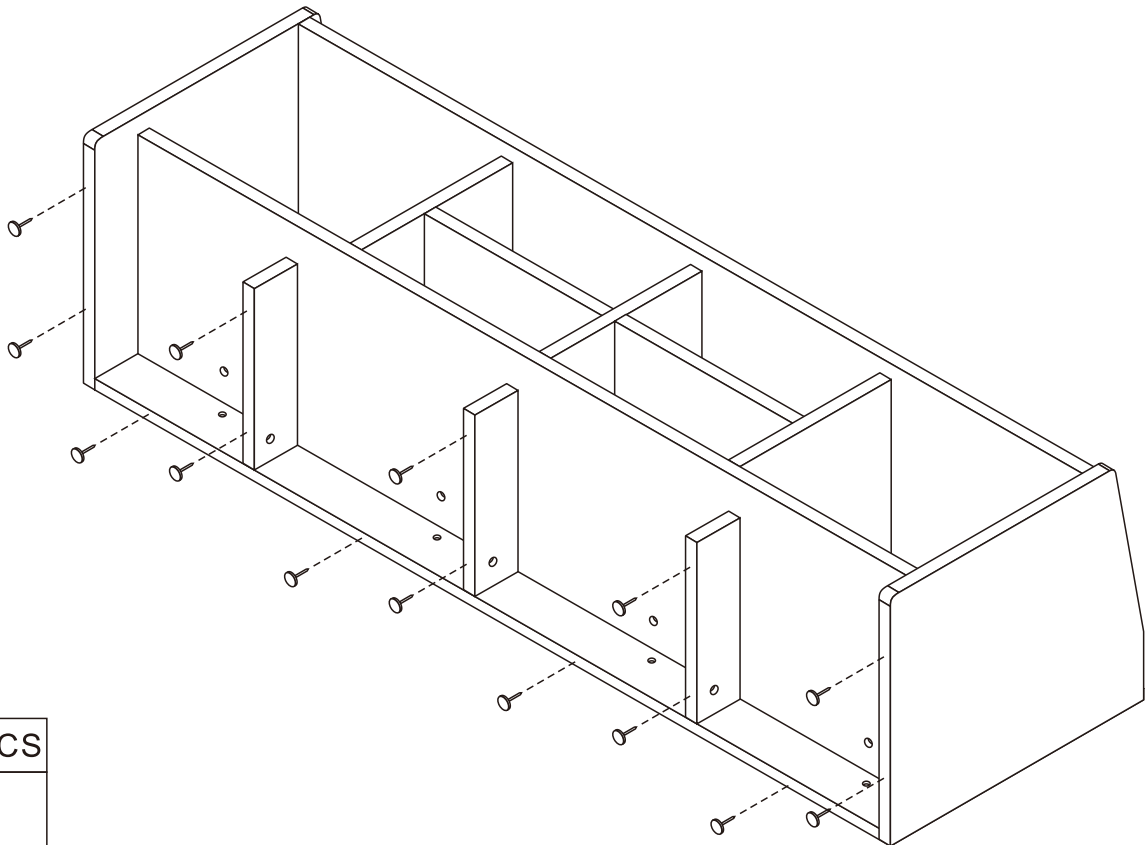
<b>K</b>	11PCS	<b>L</b>	2PCS
			
4*40mm			


8



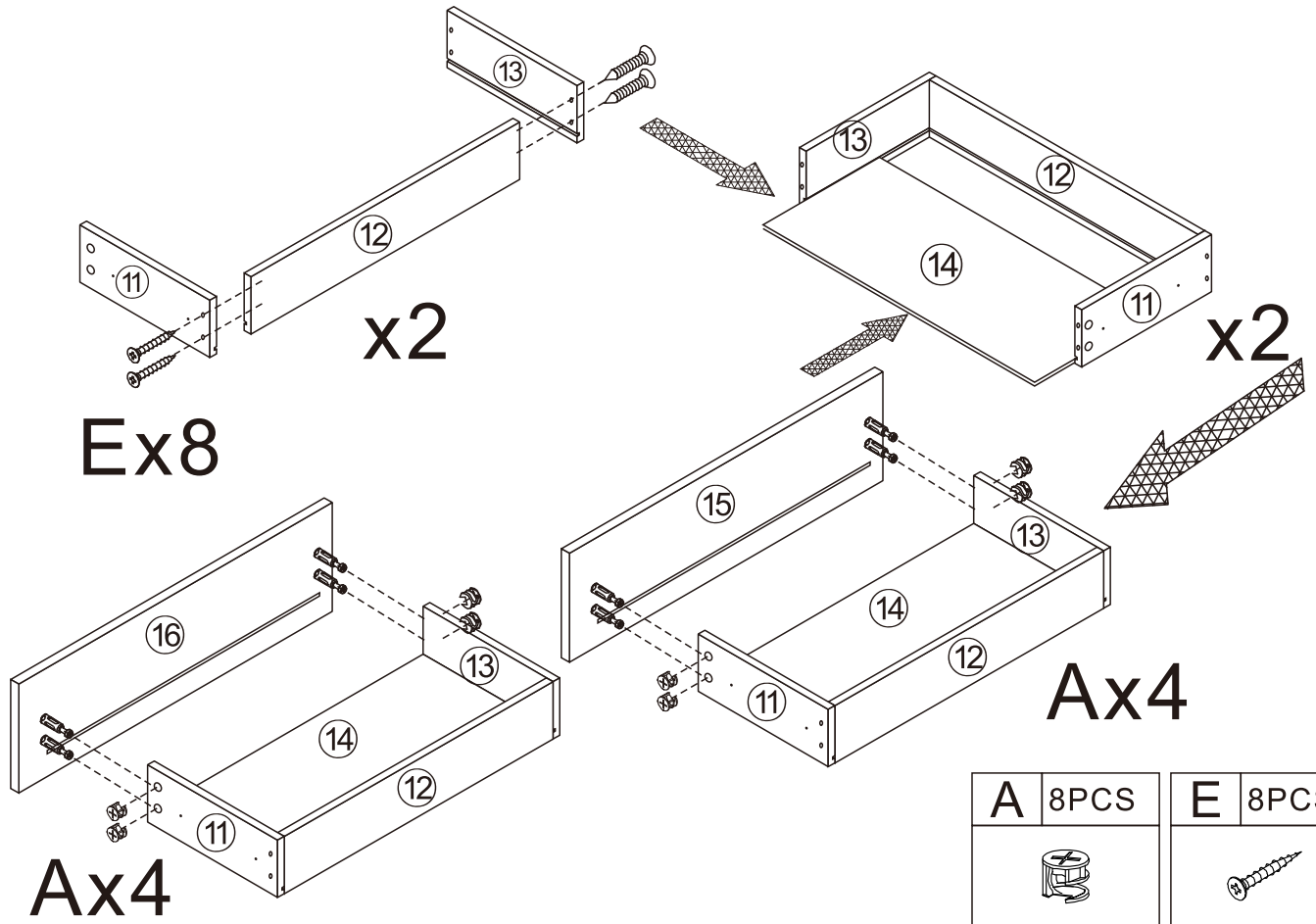
<b>A</b>	12PCS	<b>F</b>	8PCS
			
15*10mm		8*30mm	



9



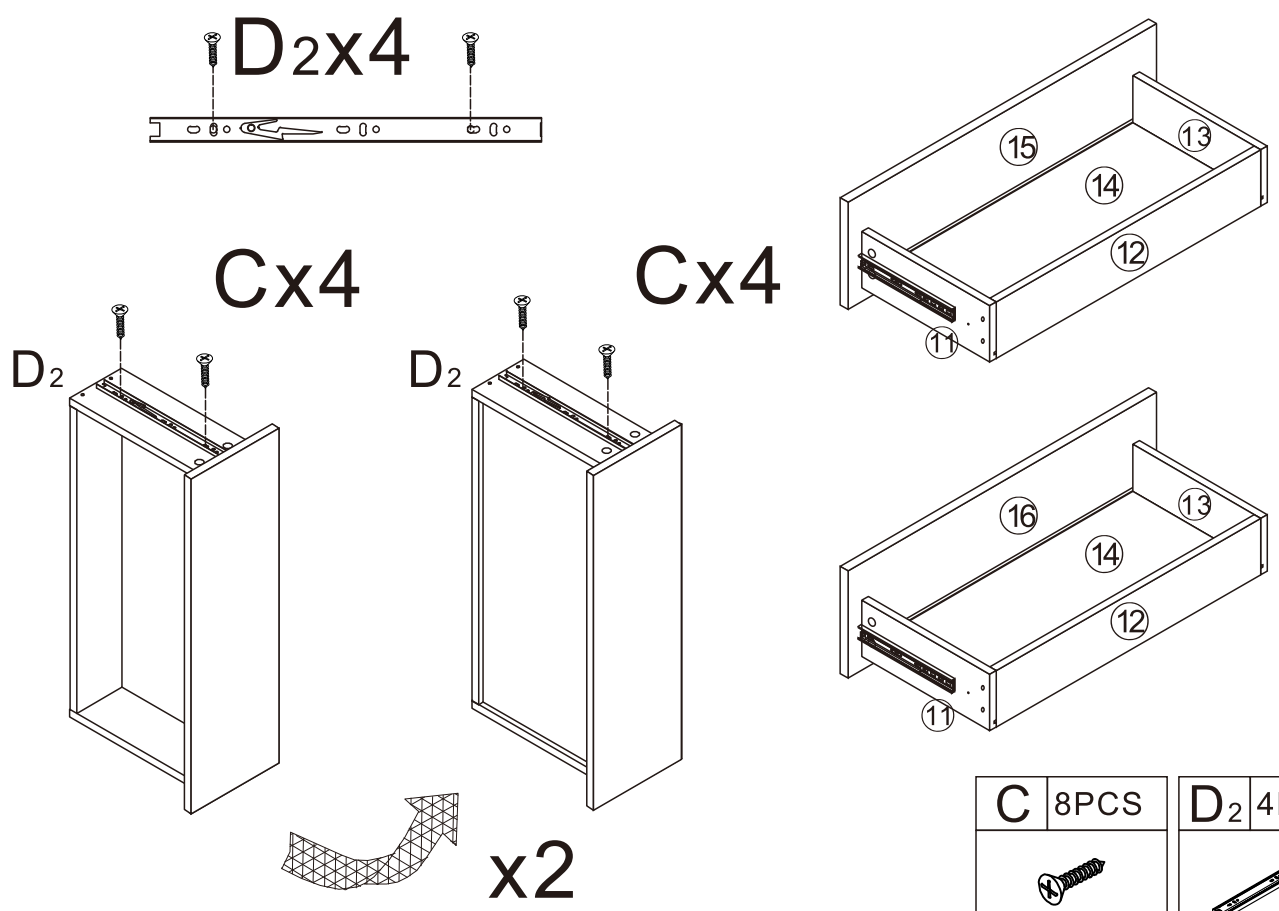
<b>G</b>	14PCS
	
$\phi 15\text{mm}$	



10



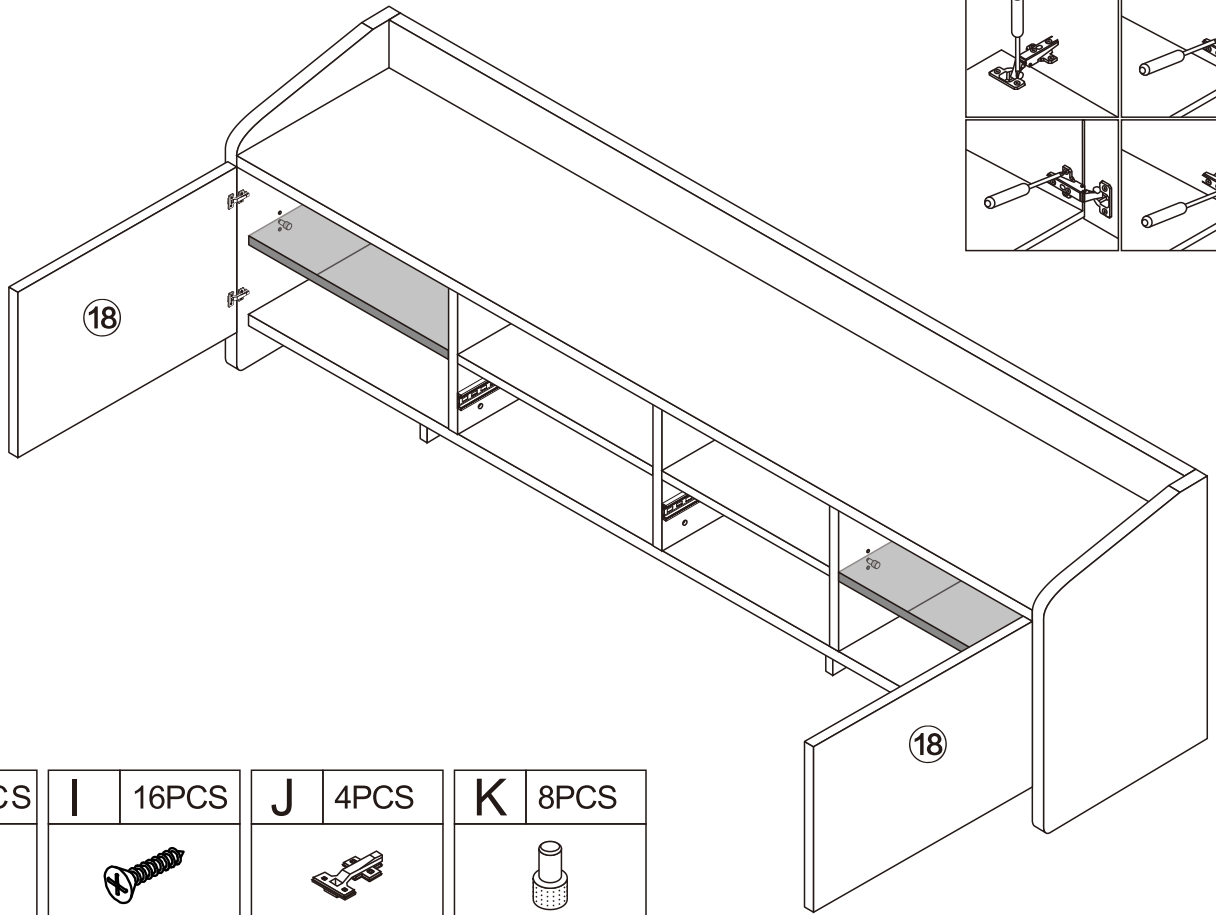
<b>A</b>	8PCS	<b>E</b>	8PCS
			
15*10mm		3.5*40mm	





11



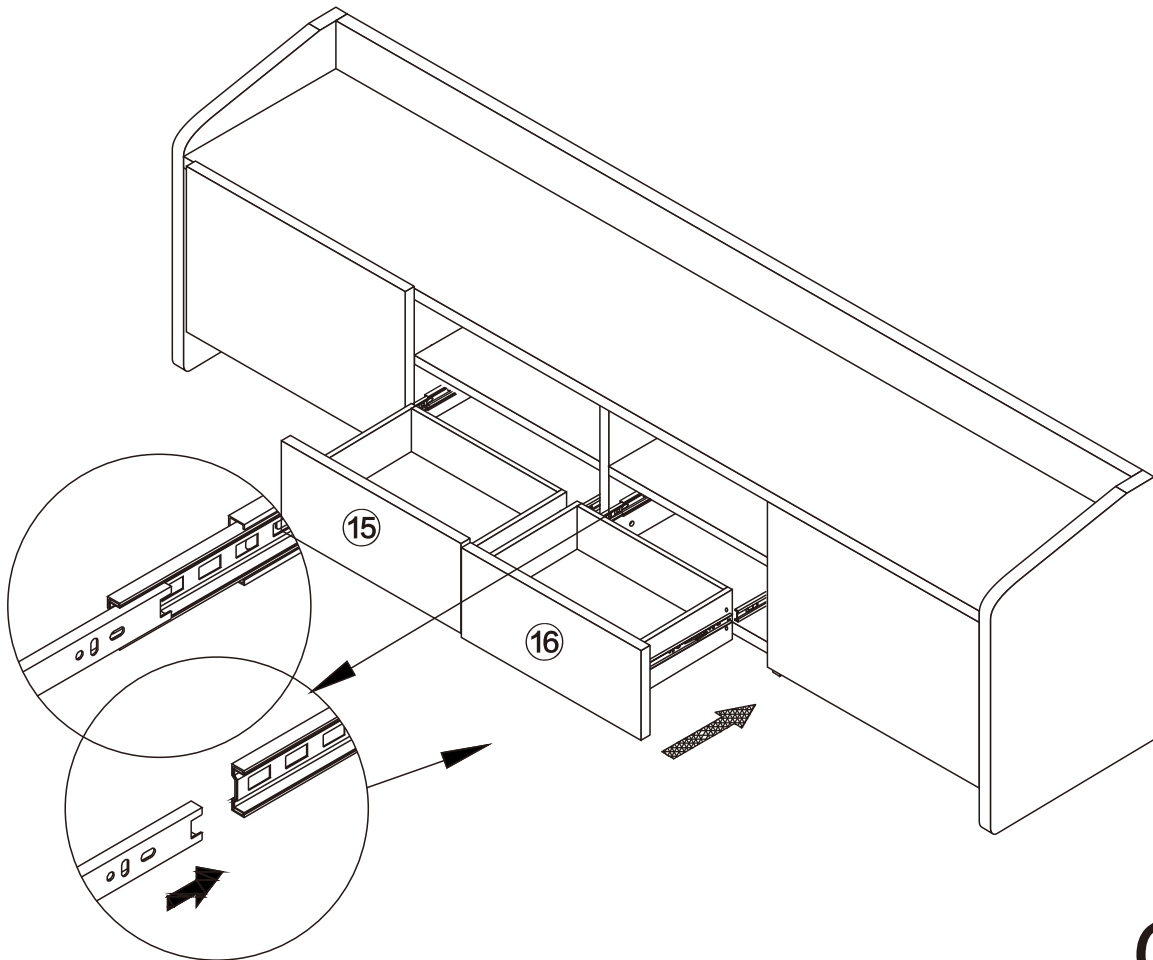
<b>C</b>	8PCS	<b>D<sub>2</sub></b>	4PCS
			
3.5*14mm		Three-section Rail	

12



<b>C</b>	16PCS	<b>I</b>	16PCS	<b>J</b>	4PCS	<b>K</b>	8PCS
							
3.5*14mm		4*12mm					

13



OK