

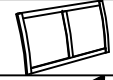



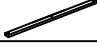
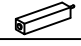


# ASSEMBLY INSTRUCTIONS

**B0182-115 BALLARD 6/6 - 6/0 EK/WK HEADBOARD , FOOTBOARD & SLAT KIT**





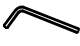

**B0182-335 BALLARD 6/6 & 5/0 EK/Q PANEL SIDE RAILS**

Thank you for purchasing this quality product. Be sure to check all packing materials carefully for small parts, which may have come loose inside the carton during shipment. Identify and count all items and compare with the parts list and/or hardware list shown.

### PARTS LIST

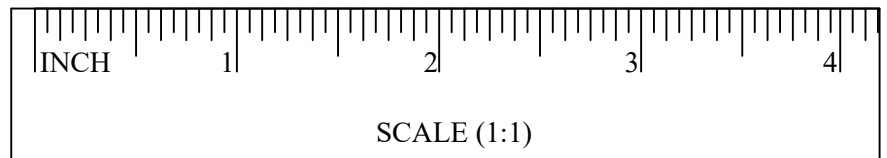
NO	COMPONENT	DRAWING	QTY
A	Headboard		1 pc
B	Footboard		1 pc
C	Right Side Facing (RSF ) Headboard Leg		1 pc
D	Left Side Facing (LSF) Headboard Leg		1 pc
E	Slat		4 pcs
F	Slat Support Leg		8 pcs
G	Rail		2 pcs
H	Headboard Stretcher		1 pc

### HARDWARE LIST

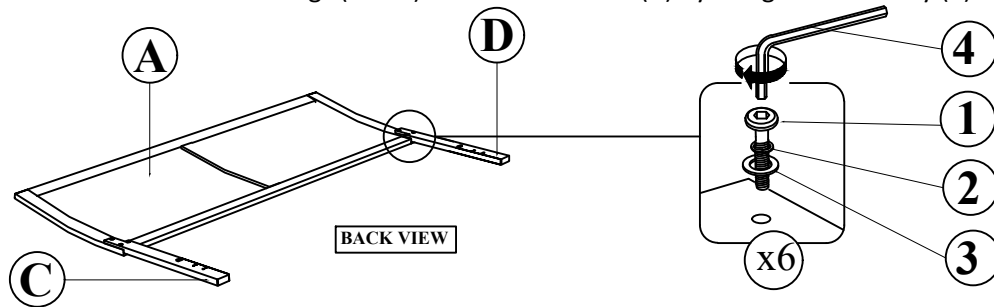
PACKED INSIDE HEADBOARD			
NO	COMPONENT	DRAWING	QTY
1	Bolt M6 x 1 3/8"		6 pcs
2	Spring Washer 1/4"		6 pcs
3	Flat Washer 1/4" ID x 1/2" OD		6 pcs
4	Allen Key M4 x 2 9/16"		1 pc
5	Allen Key M5 x 2 9/16"		1 pc
6	Flat Head Screw M4 x 1 1/4"		8 pcs

WEIGHT CAPACITY

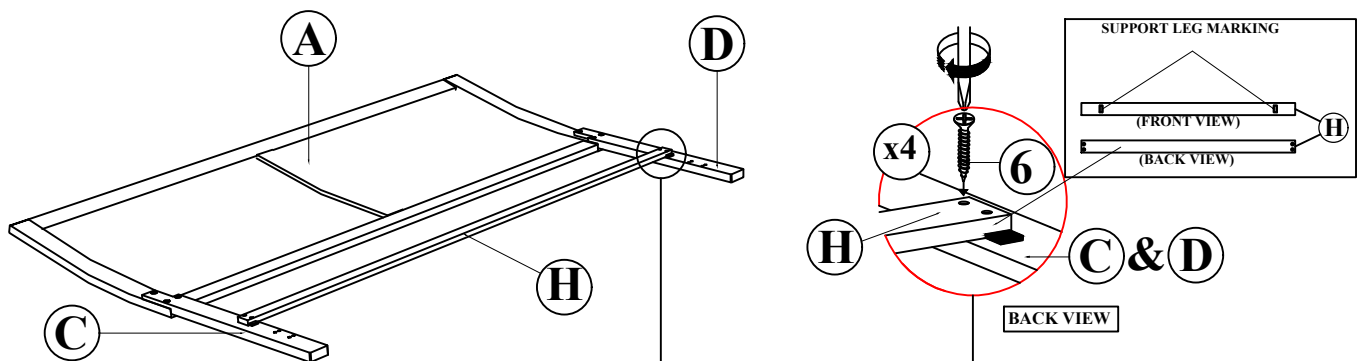
800 LBS



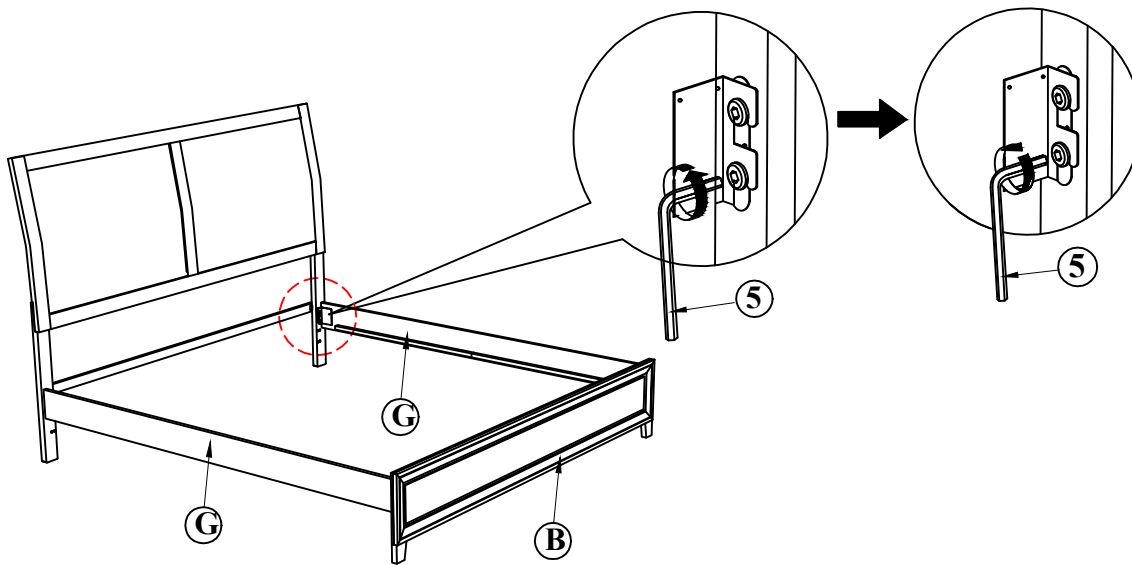
**STEP 1** : Assemble the Headboard Legs (C & D) to the Headboard (A) by using the Allen Key (4) with hardware 1, 2, and 3.



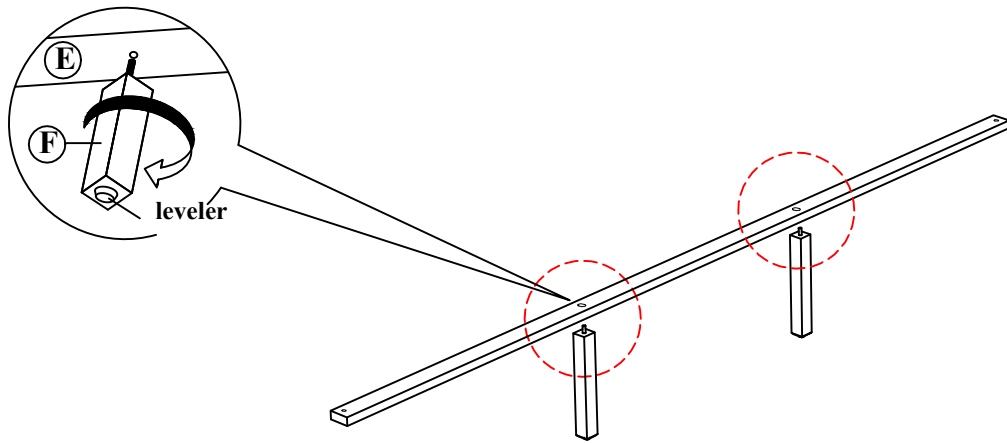
**STEP 2** : Assemble the Headboard Stretcher (H) to Headboard Legs (C & D) by using a screwdriver with hardware (6).



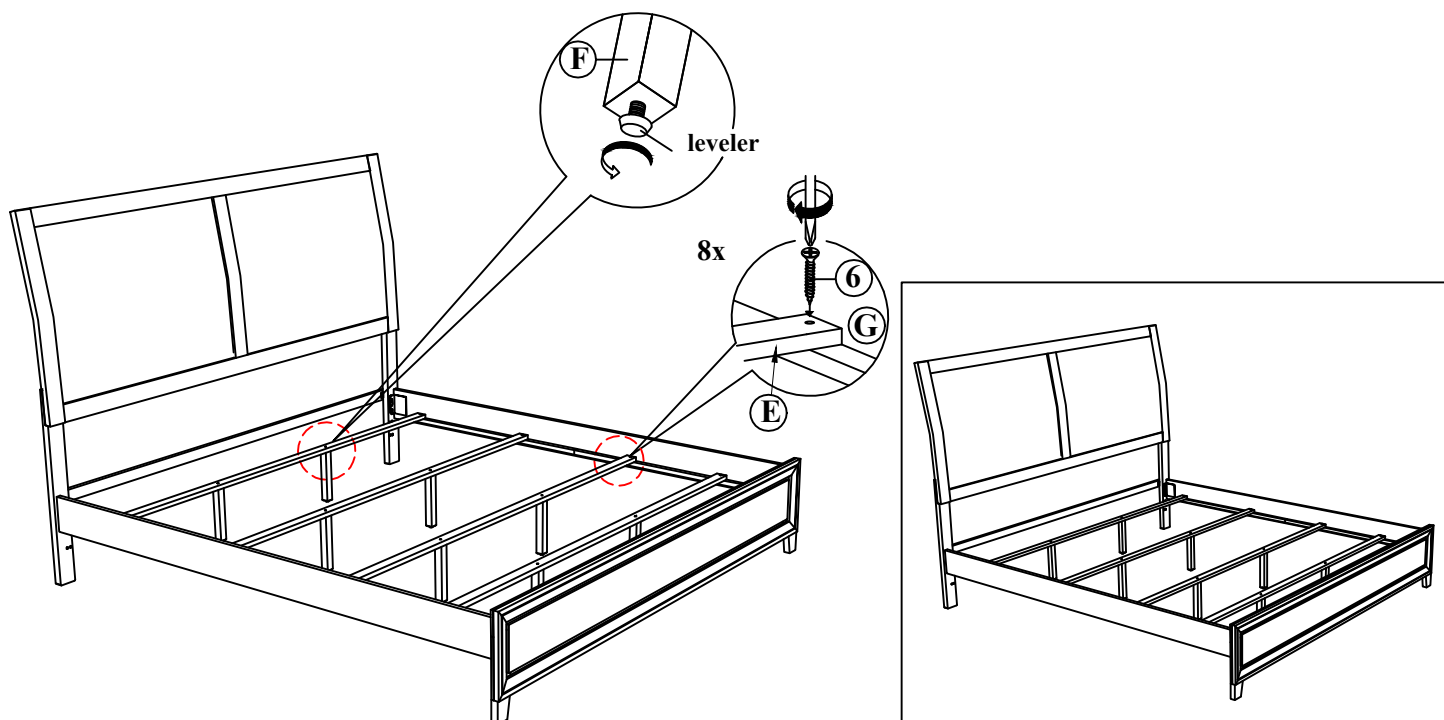
**STEP 3 :** Loosen the bolts on the Headboard Legs (C & D) and the Footboard (B) by using ALLEN KEY (5). Hook the Capped Rails(G) to the Headboard Legs (C & D) and the Footboard (B), and push the bracket firmly into place then tighten the bolts.



**STEP 4 :** Assemble the Bed Slat Support Legs (F) to the Slats (E)






**STEP 5 :** Assemble the Slats (E) to Capped Rails (G) by using a screwdriver with hardware 6. Adjust the leveler on the Bed Slat Support Legs (F) to level the bed.








NOTE : MUST TIGHTEN SCREWS PERIODCALLY WITH USE SCREW WILL BECOME LOOSE CHECK TIGHTNESS OF ALL SCREW EVERY 6-8 WEEKS.

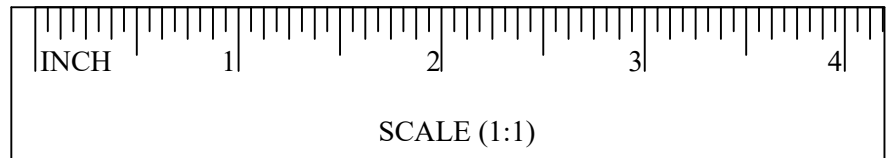
Thank you for purchasing this quality product. Be sure to check all packing materials carefully for small parts, which may have come loose inside the carton during shipment. Identify and count all items and compare with the parts list and/or hardware list shown.

### PARTS LIST

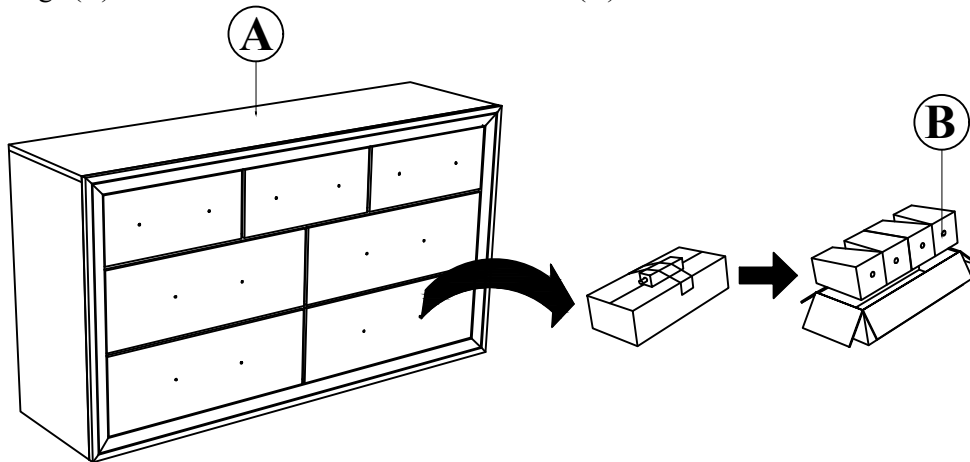
NO	COMPONENT	DRAWING	QTY
A	Dresser		1 pc
B	Leg		4 pcs
C	Center Support Leg		1 pc

### HARDWARE LIST

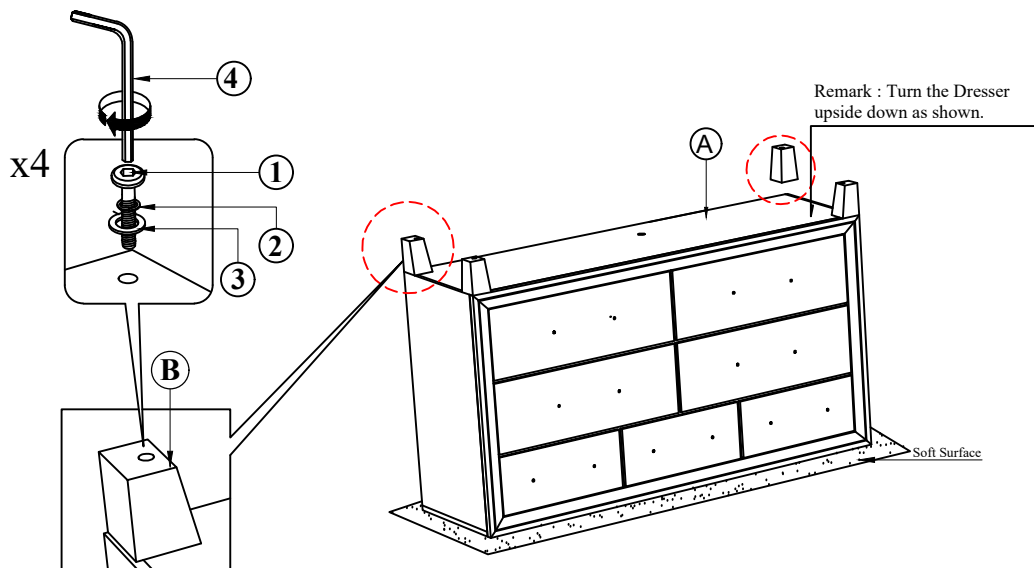
NO	COMPONENT	DRAWING	QTY
1	JCBC M6 x 2"Blk		4 pcs
2	Spring Washer 1/4" Blk		4 pcs
3	Flat Washer 1/4"IDx6/8"OD Blk		4 pcs
4	Allen Key M4 x 4 3/8 " Blk		1 pc
5	Anti Tip-Kit		1 pc



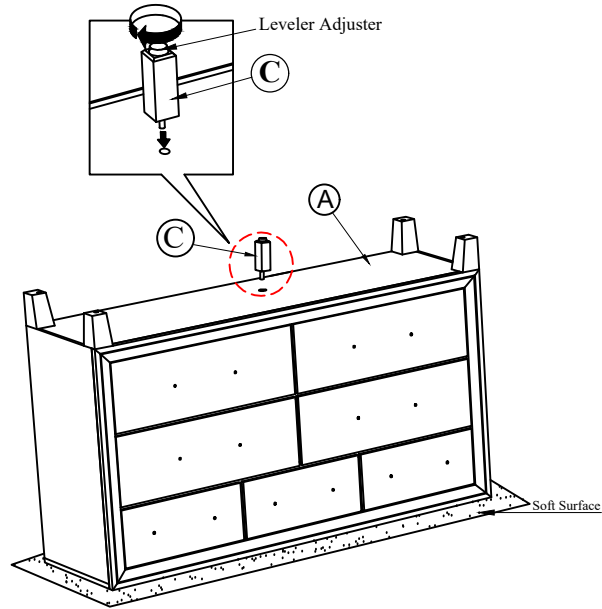
**STEP 1 :** Locate the Legs (B) from the bottom drawer of the Dresser (A)



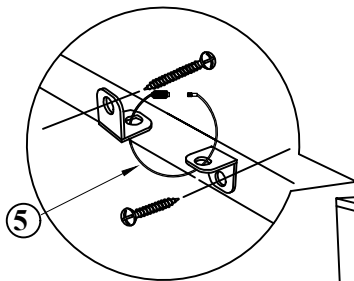
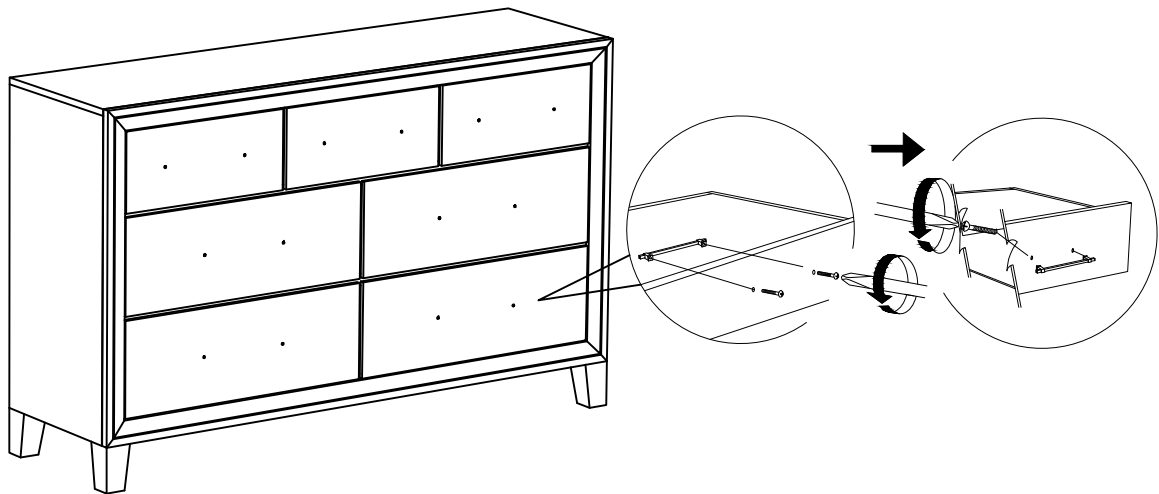
**STEP 2 :** Place the Dresser(A) upside down on a flat and clean surface. Assemble the Leg (B) by using Allen Key (4) with hardware 1, 2, and 3.



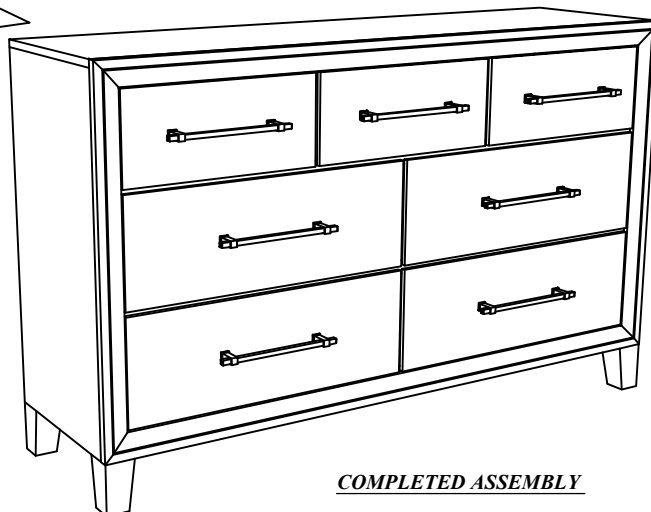
**STEP 3 :** Assemble the Center Support Leg(C) by twisting the leg into the hole in the bottom center of dresser (A)



**STEP 4 :** Install the handle by unscrewing the bolts with a screwdriver and move the handle to the outside of the drawers and screw the bolts back in from the inside of the drawers. Repeat for each handle.



Anti - Tip Kit



**COMPLETED ASSEMBLY**

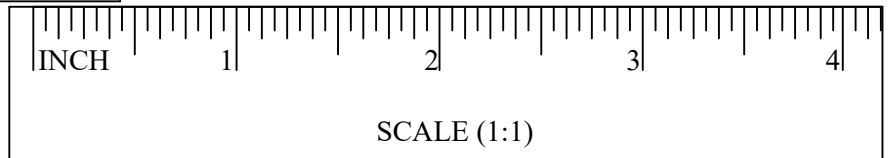
Thank you for purchasing this quality product. Be sure to check all packing materials carefully for small parts, which may have come loose inside the carton during shipment. Identify and count all items and compare with the parts list and/or hardware list shown.

### PARTS LIST

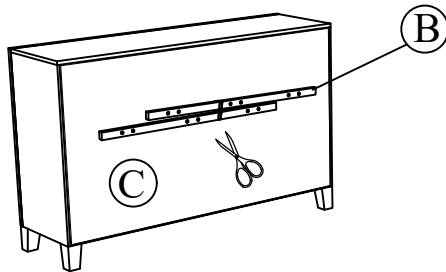
NO	COMPONENT	DRAWING	QTY
A	Mirror		1 pc
B	Mirror Support (Attached at back of Dresser)		2 pcs
C	Dresser		1 pc

### HARDWARE LIST

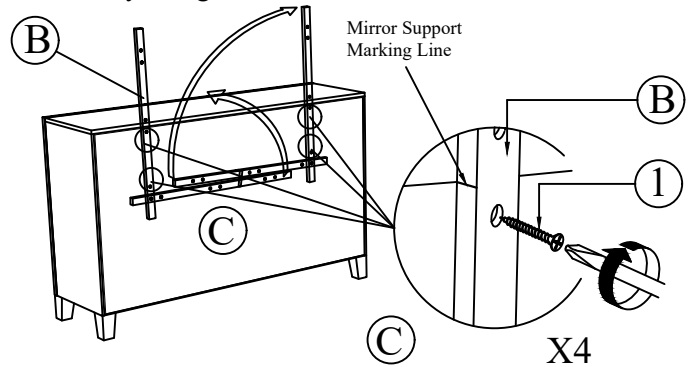
NO	COMPONENT	DRAWING	QTY
1	Flat Head Chipboard Screw M4 x 1 2/8" Rbw		10 pcs



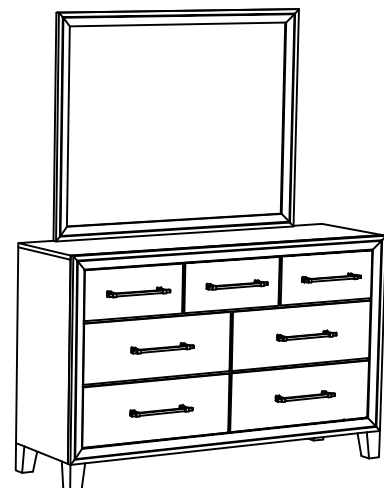
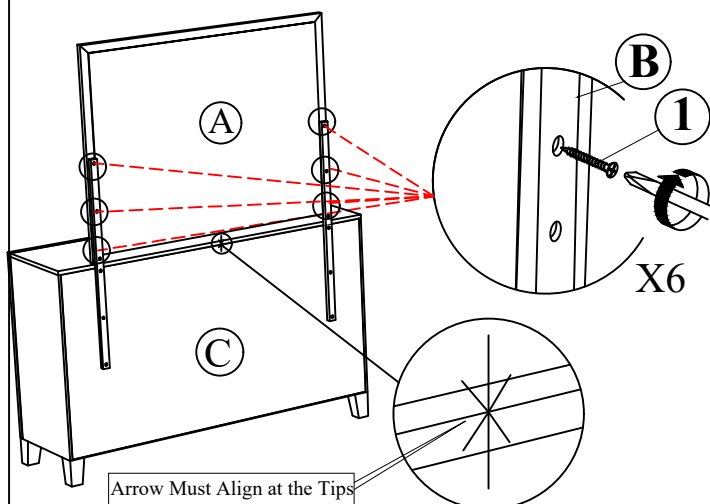
**STEP 1 :** Cut off the string that is holding down the mirror support (B) at the back of the dresser (C)



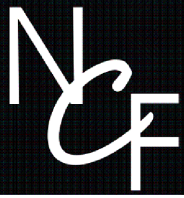
**STEP 2 :** Turn the mirror support (B) vertical at the back of the dresser (C) and align it against the marking on the mirror support (B) to the edge of the dresser (C). Tighten the mirror support (B) to the dresser (C) by using a screwdriver with hardware 1.



**STEP 3 :** Place the mirror (A) on the dresser (C) and align the arrow marking on the mirror (A) to the arrow marking on the dresser (C). Tighten the mirror (A) to the mirror support (B) by using a screwdriver with hardware 1.



**COMPLETED ASSEMBLY**



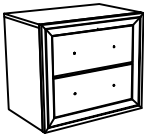

New  
Classic®  
FURNITURE

# ASSEMBLY INSTRUCTIONS




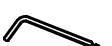
**B0182-040 BALLARD 2 DRAWER NIGHTSTAND**

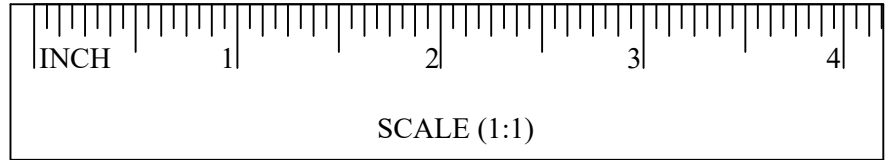
Thank you for purchasing this quality product. Be sure to check all packing materials carefully for small parts, which may have come loose inside the carton during shipment. Identify and count all items and compare with the parts list and/or hardware list shown.

## PARTS LIST

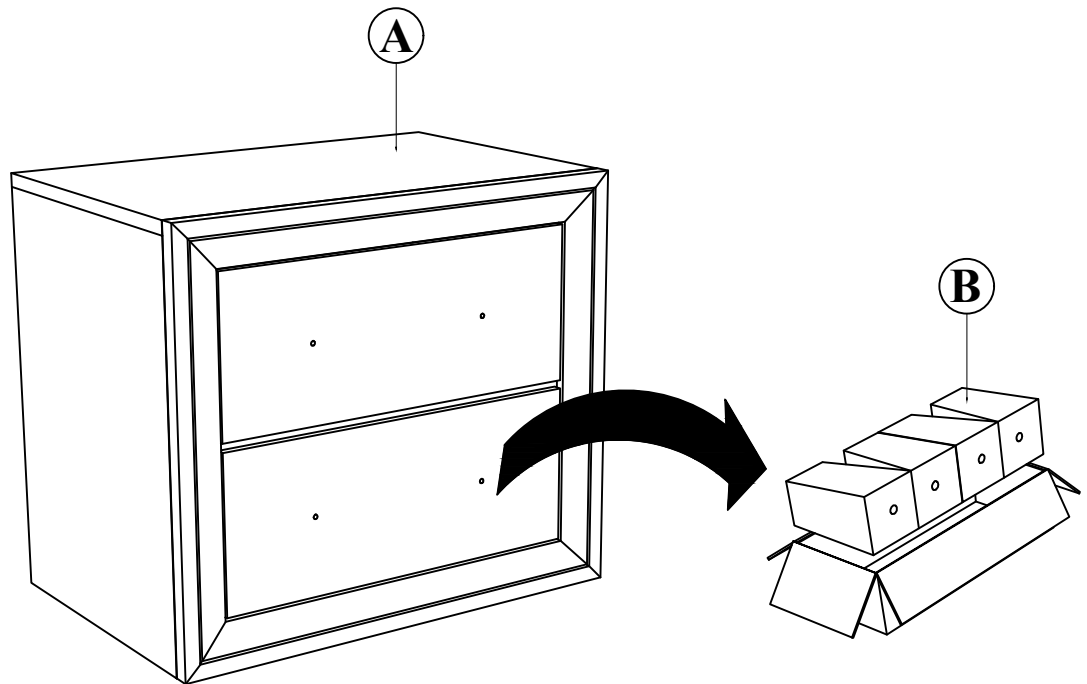
NO	COMPONENT	DRAWING	QTY
A	Nightstand		1 pc
B	Leg		4 pcs

## HARDWARE LIST

NO	COMPONENT	DRAWING	QTY
1	JCBC M6 x 2" Blk		4 pcs
2	Spring Washer 1/4" Blk		4 pcs
3	Flat Washer 1/4"IDx4/8"OD Blk		4 pcs
4	Allen Key M4 x 4 3/8 " Blk		1 pc

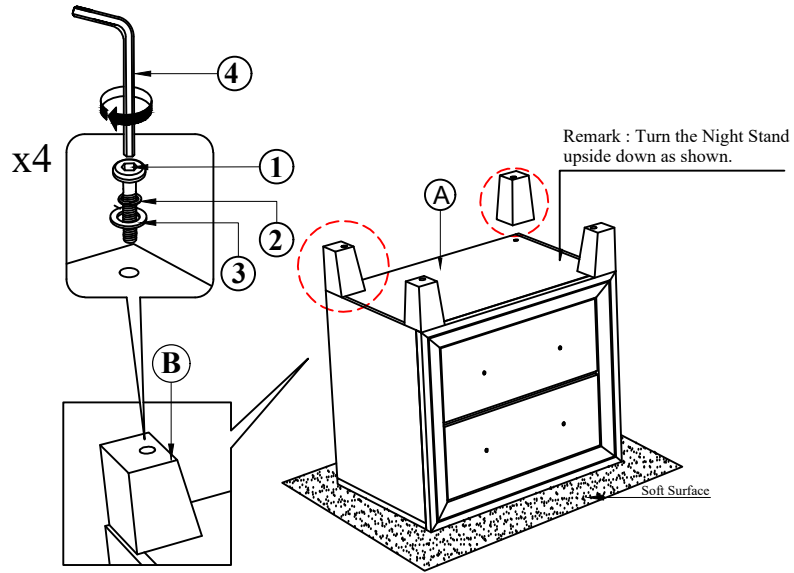


**STEP 1** : Locate the Legs (B) from the bottom drawer of the Nightstand (A).

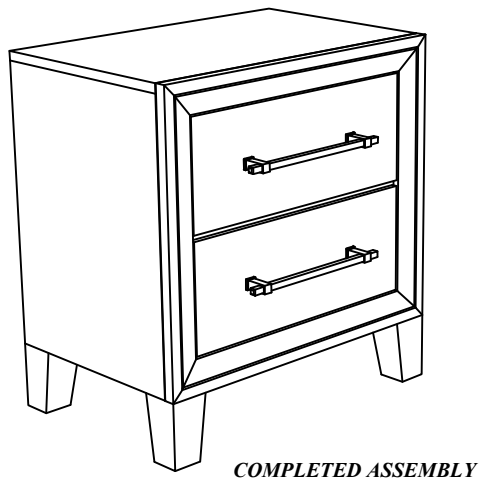
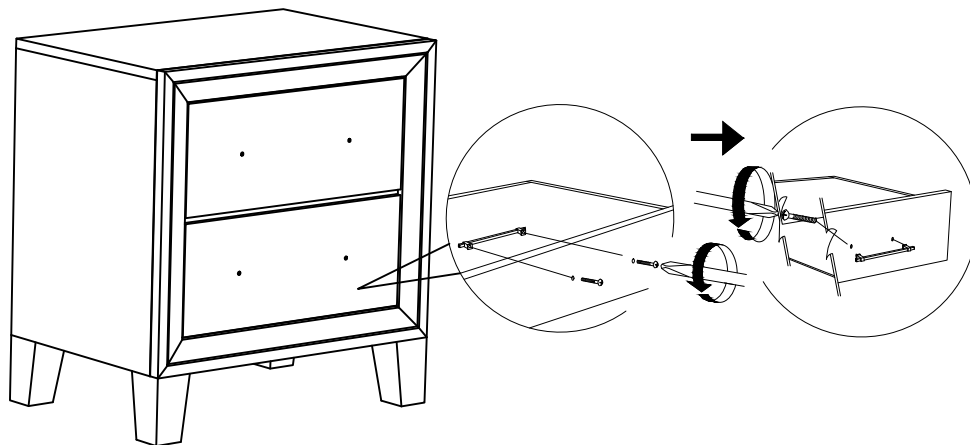


NOTE : MUST TIGHTEN SCREWS PERIODCALLY WITH USE SCREW WILL BECOME LOOSE CHECK TIGHTNESS OF ALL SCREW EVERY 6-8 WEEKS.

**STEP 2 :** Place the Nightstand (A) upside down on a flat and clean surface. Assemble the Leg (B) by using Allen Key (4) with hardware 1, 2, and 3.





**STEP 3 :** Install the handle by unscrewing the bolts with a screwdriver and move the handle to the outside of the drawers and screw the bolts back in from the inside of the drawers. Repeat for each handle.






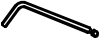

**COMPLETED ASSEMBLY**

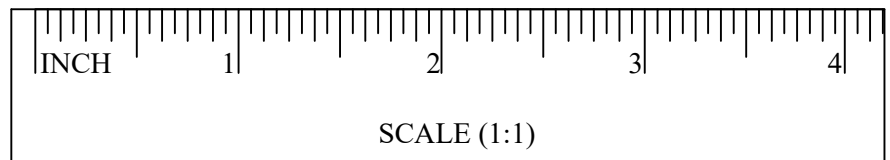
Thank you for purchasing this quality product. Be sure to check all packing materials carefully for small parts, which may have come loose inside the carton during shipment. Identify and count all items and compare with the parts list and/or hardware list shown.

### PARTS LIST

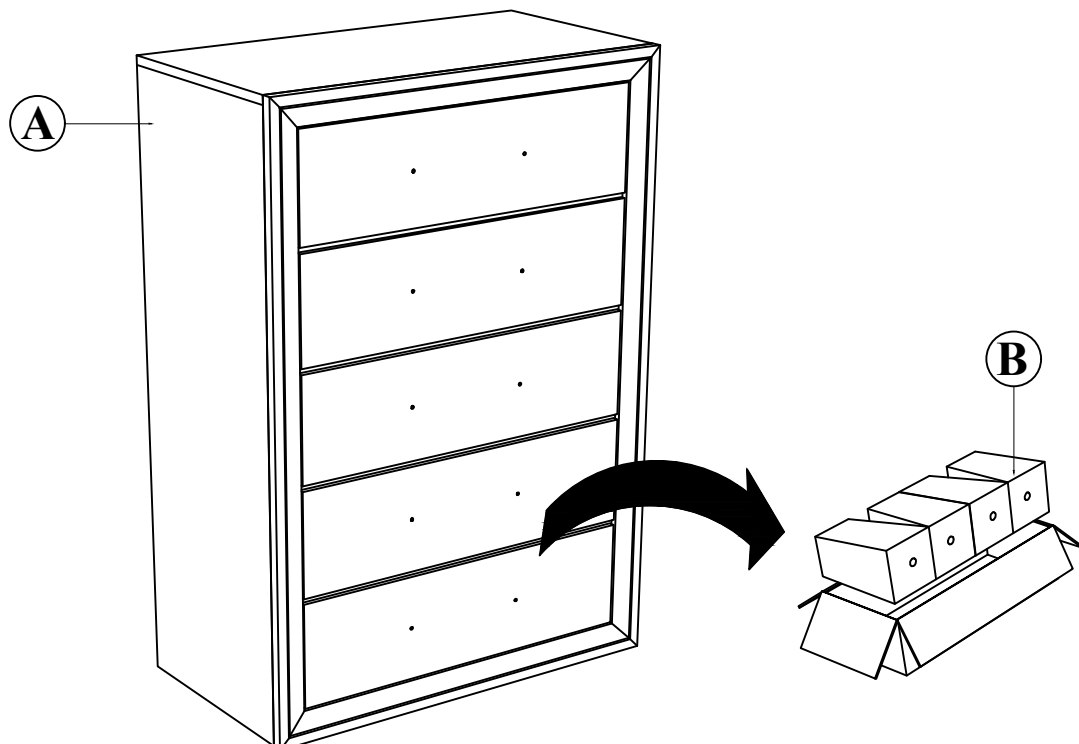
NO	COMPONENT	DRAWING	QTY
A	Chest		1 pc
B	Leg		4 pcs

### HARDWARE LIST

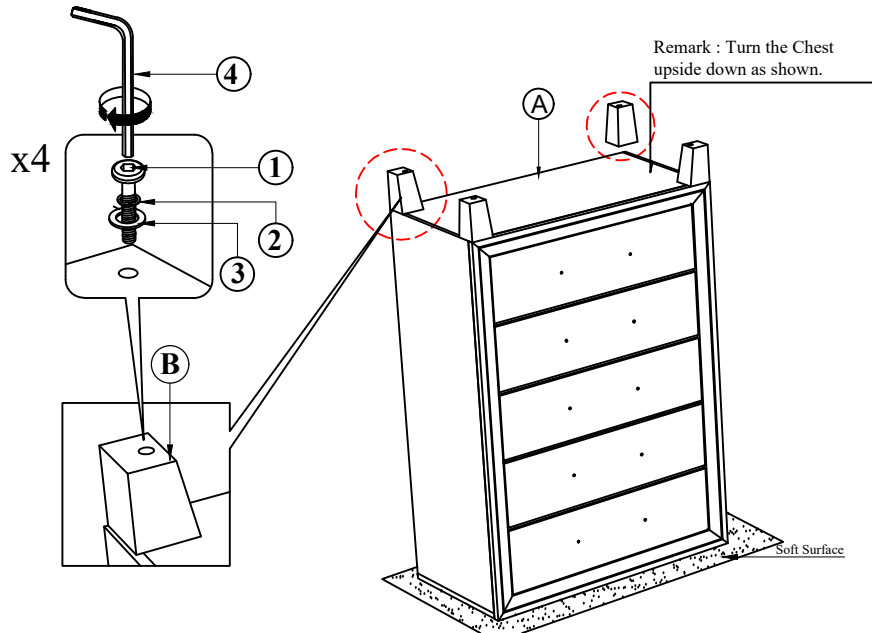
NO	COMPONENT	DRAWING	QTY
1	JCBC M6 x 2" Blk		4 pcs
2	Spring Washer 1/4" Blk		4 pcs
3	Flat Washer 1/4"IDx4/8"OD Blk		4 pcs
4	Allen Key M4 x 4 3/8 " Blk		1 pc
5	Anti Tip-Kit		1 pc



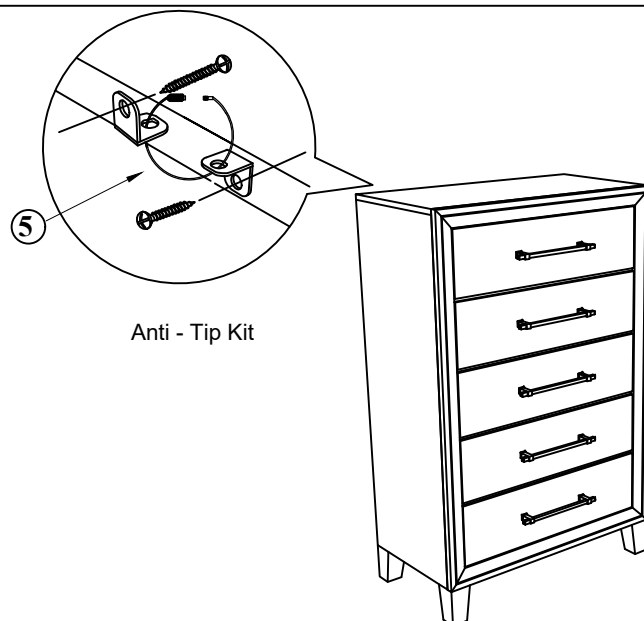
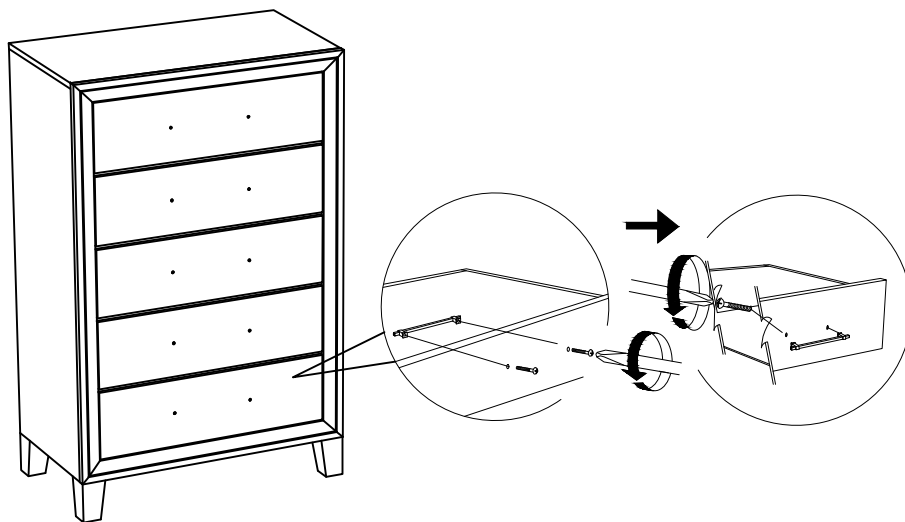
**STEP 1 :** Locate the Legs (B) from the bottom drawer of the Chest (A)



**STEP 2 :** Place the Chest (A) upside down on a flat and clean surface. Assemble the Leg (B) by using Allen Key (4) with hardware 1, 2, and 3.



**STEP 3 :** Install the handle by unscrewing the bolts with a screwdriver and move the handle to the outside of the drawers and screw the bolts back in from the inside of the drawers. Repeat for each handle.



Anti - Tip Kit

**COMPLETED ASSEMBLY**