
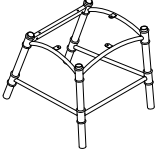
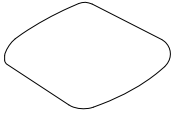








ASSEMBLY INSTRUCTION FOR ACME FURNITURE

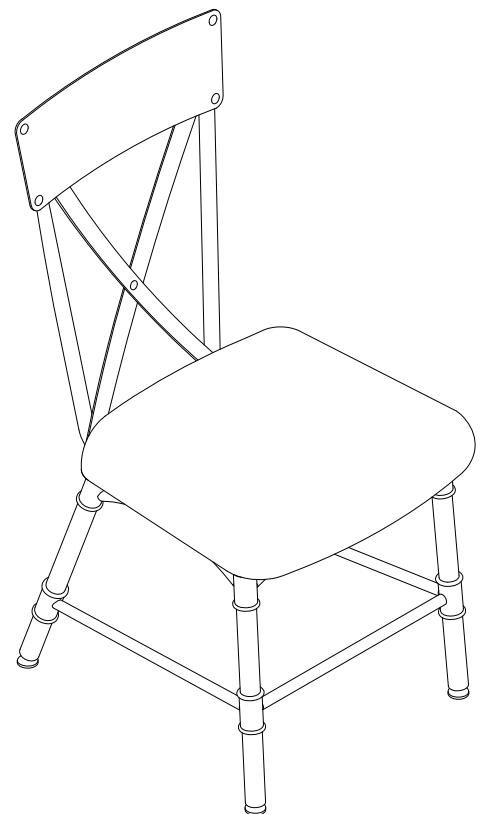
MODEL# DN01058 Side Chair

Thank you for purchasing this quality product. Be sure to check all packing materials carefully for small parts which may have come loose inside the carton during shipment. Separate, identify, and count all parts and metal hardware. Compare with parts list to be sure all parts are present. If any part(s) are missing or damaged, please contact your local furniture dealer. For efficient and speedy service, please indicate the model number and code letter of the part(s) needed.

***** Do not fully tighten screws until fully assembled *****

COMPONENT PARTS		
DECERPTION	PART NAME	Q'TY(PCS)
①	Backrest 	1pc
②	Frame 	1pc
③	Seat 	1pc

HARDWARE REQUIRED:	
(A) 	Bolt 1/4"x5/8" - 4pcs
(B) 	Bolt 1/4"x1-1/8" - 2pcs
(C) 	Screw M5x15 - 3pcs
(D) 	Allen Wrench M4 - 1pc
(E) 	Adjustable Foot - 4pcs
(F) 	Washer $\varnothing 16 \times \varnothing 7 \times 1.0$ - 2pcs



Attention:

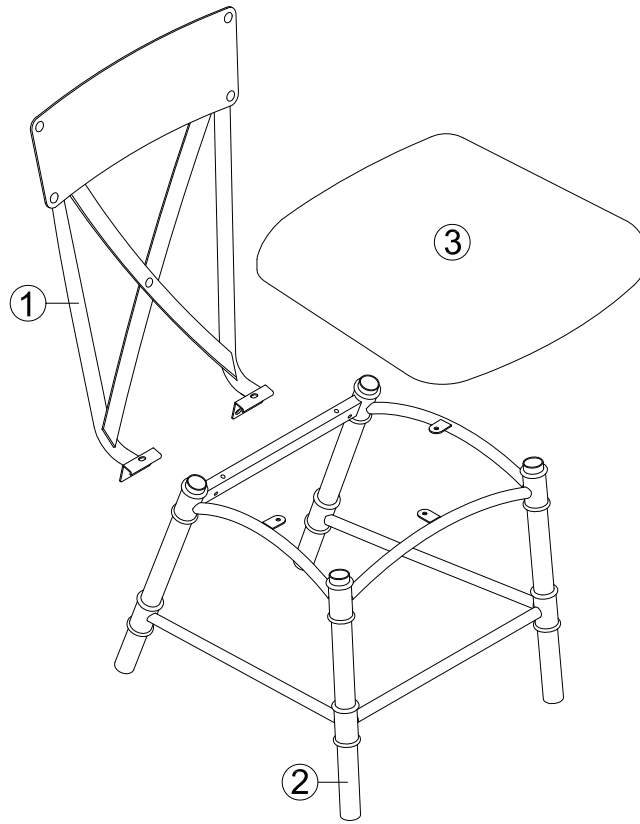
***Mattresses not included.

***Some number parts listed on the instruction sheet may not be in parts bag as they may already be assemble. Carefully check parts and packing materials prior to ordering replacements.

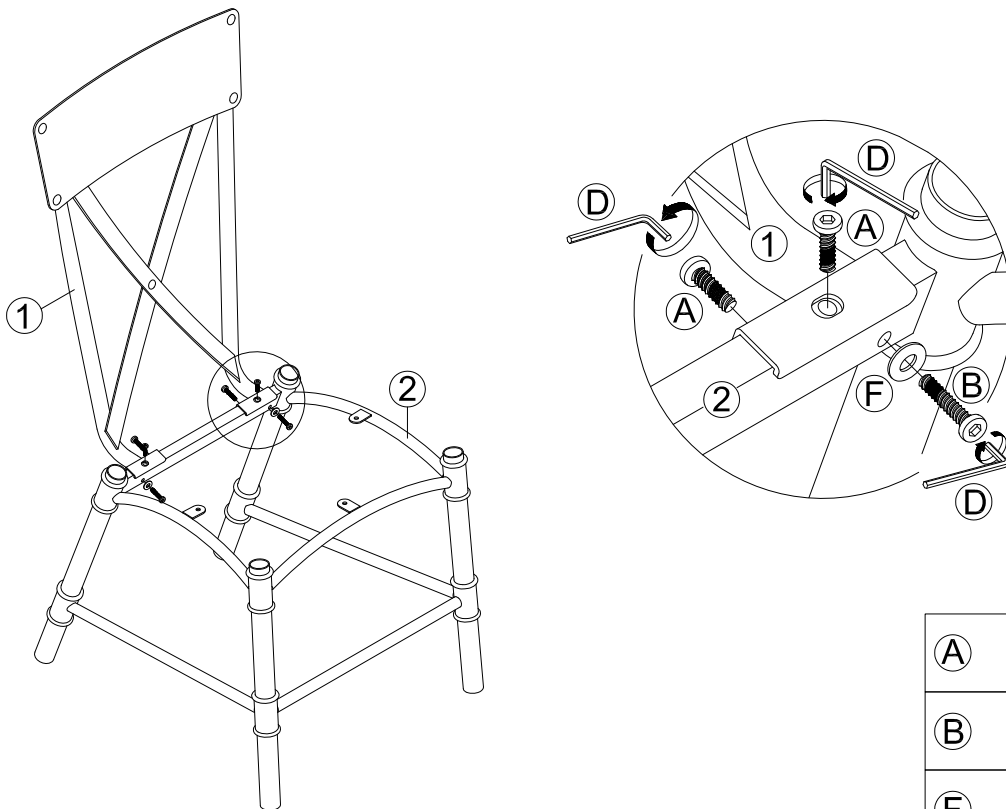
How to Assemble:




STEP 1.

Exploded View



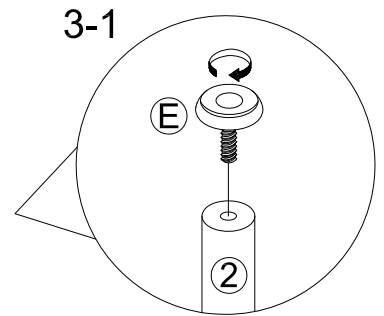
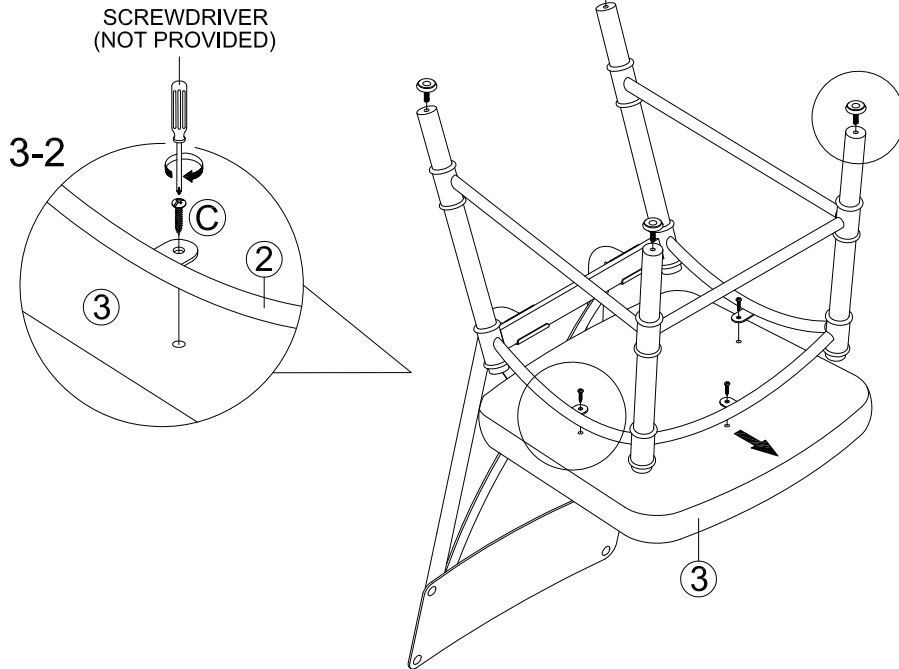
STEP 2.



(A)		4pcs
(B)		2pcs
(F)		2pcs

How to Assemble:

STEP 3.



C		3pcs
E		4pcs

STEP 4.

