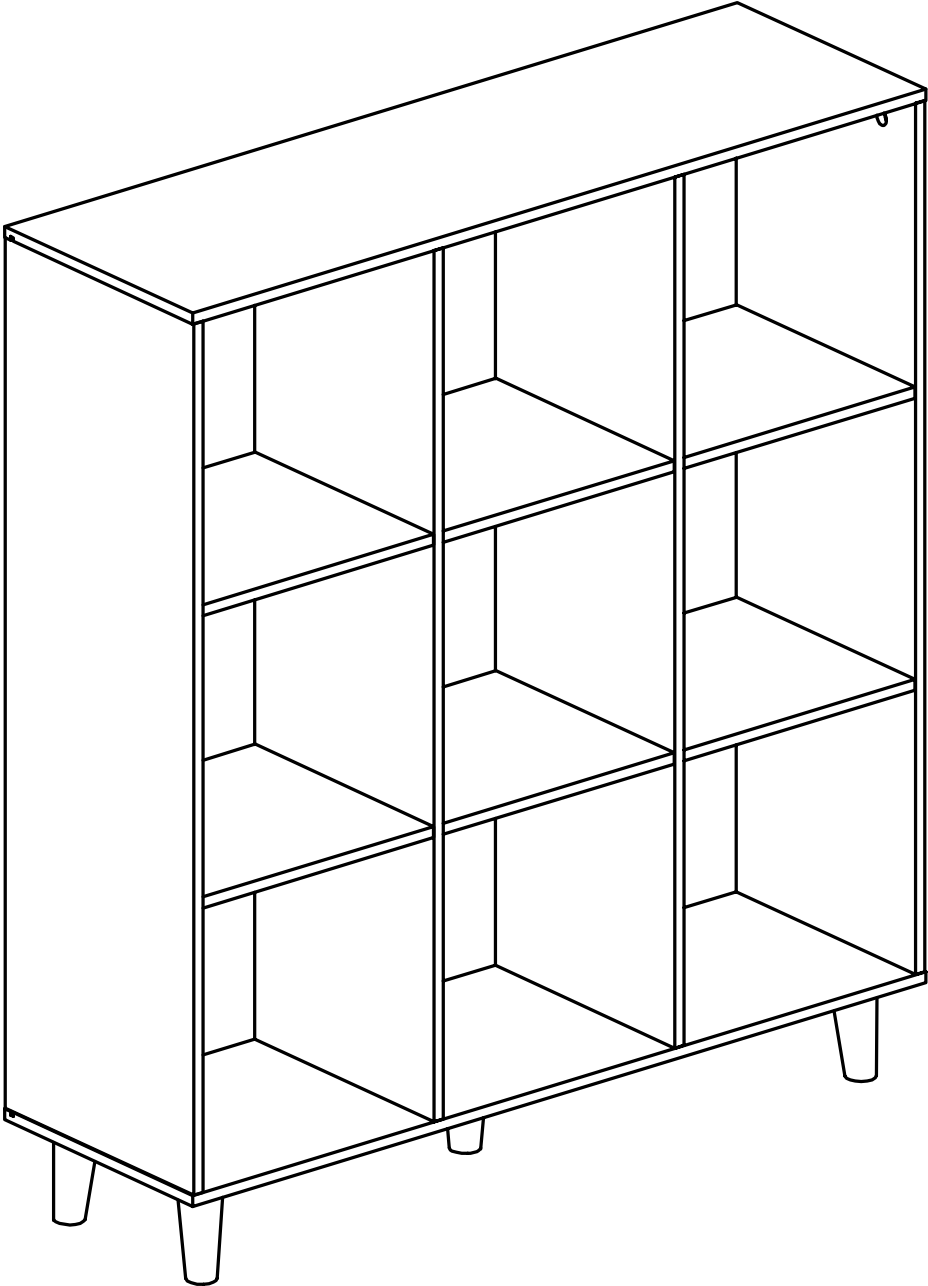
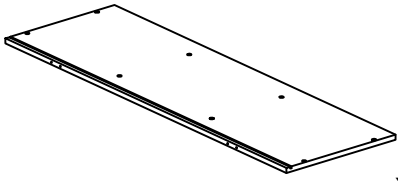
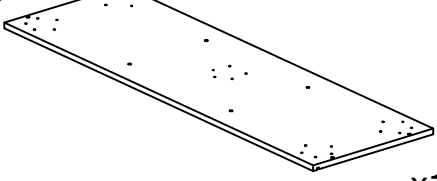
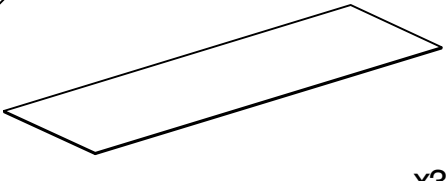
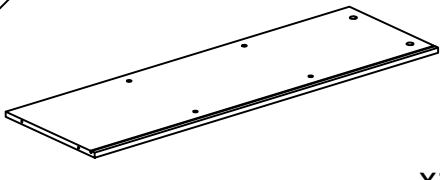
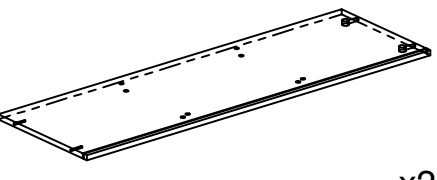
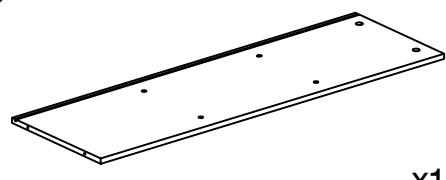
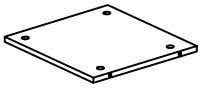




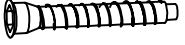
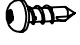


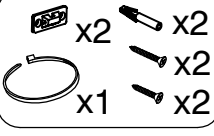
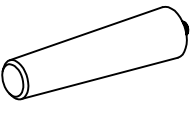
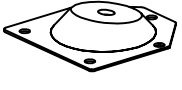

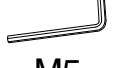

# BOOKCASE



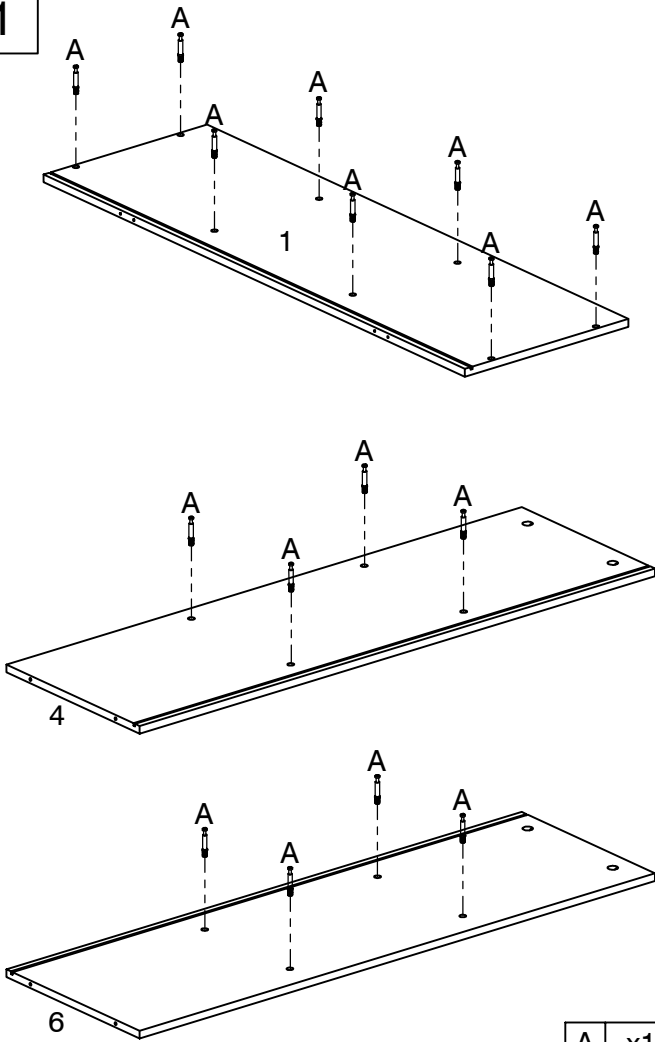
# Assembling Instruction

Attention: Do not tighten the screws until all of them are in right positions

<p>1</p>  <p>x1</p>	<p>2</p>  <p>x1</p>	<p>3</p>  <p>x3</p>
<p>4</p>  <p>x1</p>	<p>5</p>  <p>x2</p>	<p>6</p>  <p>x1</p>
<p>7</p>  <p>x6</p>		

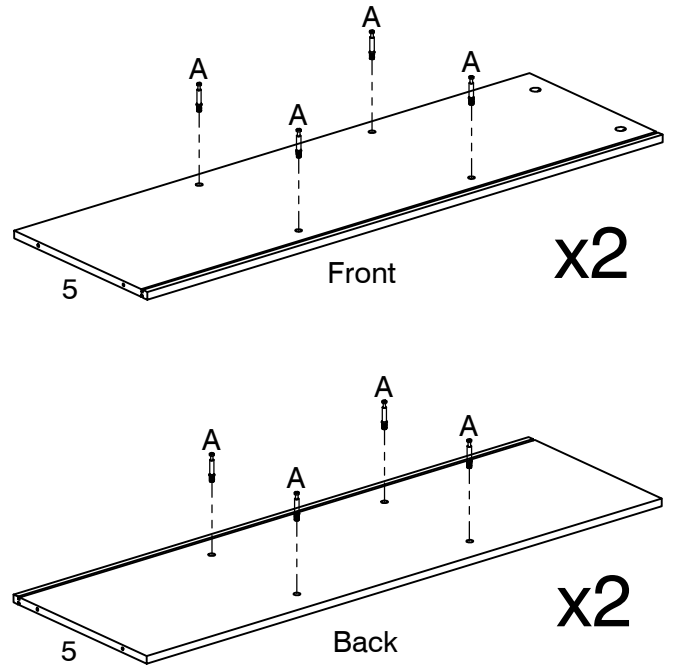
<p>A</p>  <p>M6x40 x32</p>	<p>B</p>  <p>φ 15x10 x32</p>	<p>C</p>  <p>M5x40 x8</p>	<p>D</p>  <p>M4x12 x25</p>	<p>E</p>  <p>x18</p>	<p>F</p>  <p>M4x12 x18</p>
<p>G</p>  <p>x2 x1 x2 x2 x2</p> <p>x2</p>	<p>H</p>  <p>x5</p>	<p>I</p>  <p>x5</p>	<p>J</p>  <p>x5</p>	<p>M5</p> 	

1



A x16

2

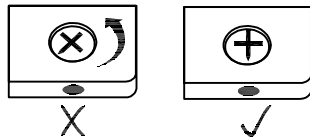


x2

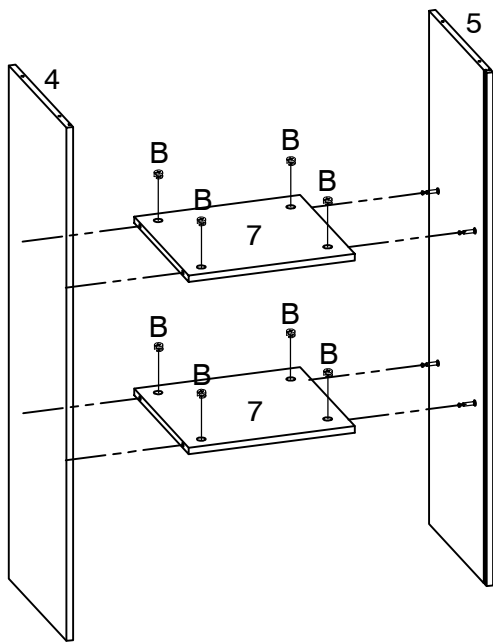
x2

A x16

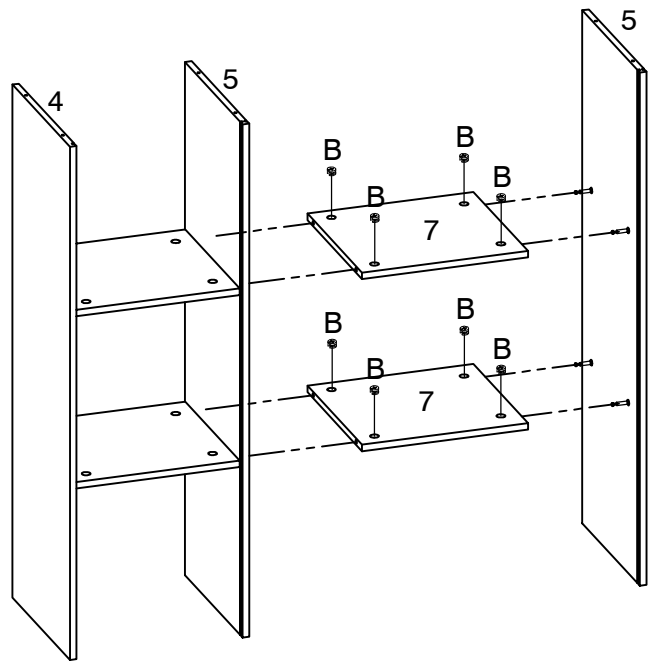
3



4

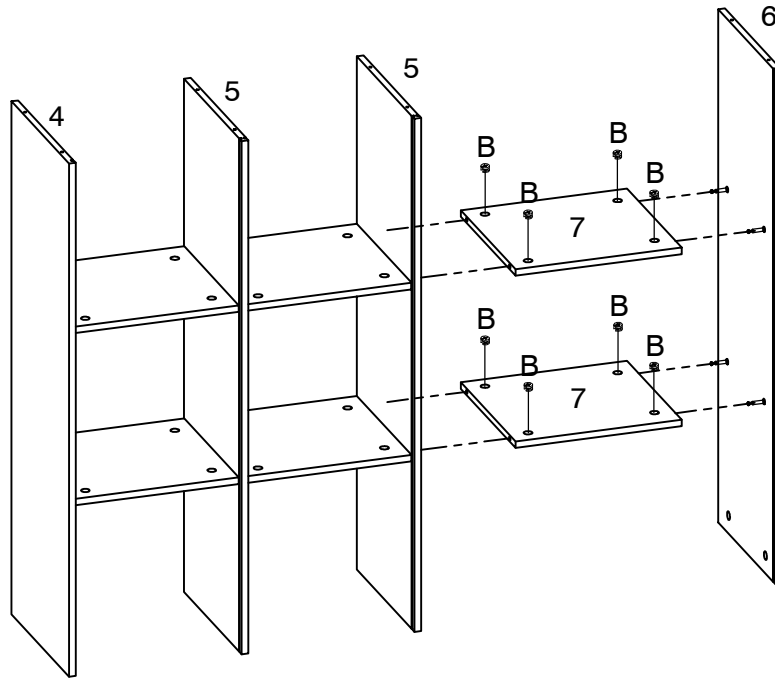


B x8



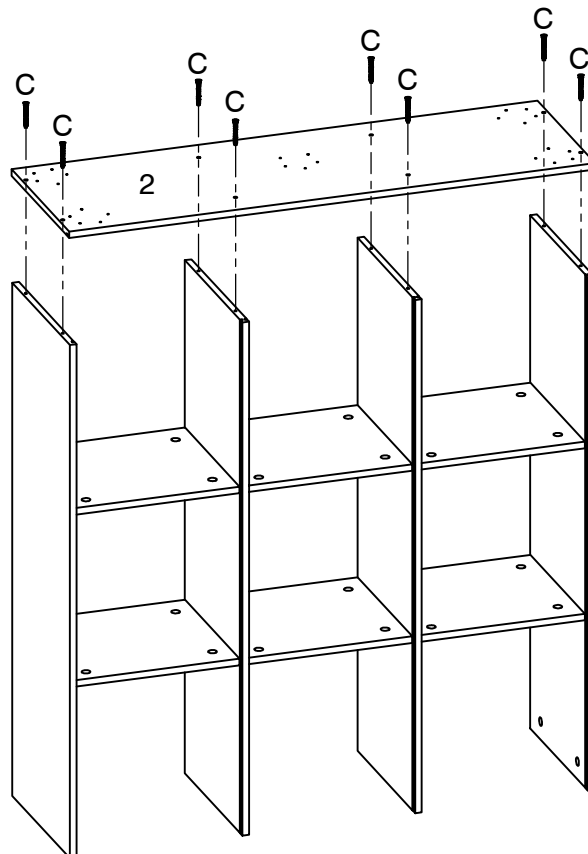
B x8

5



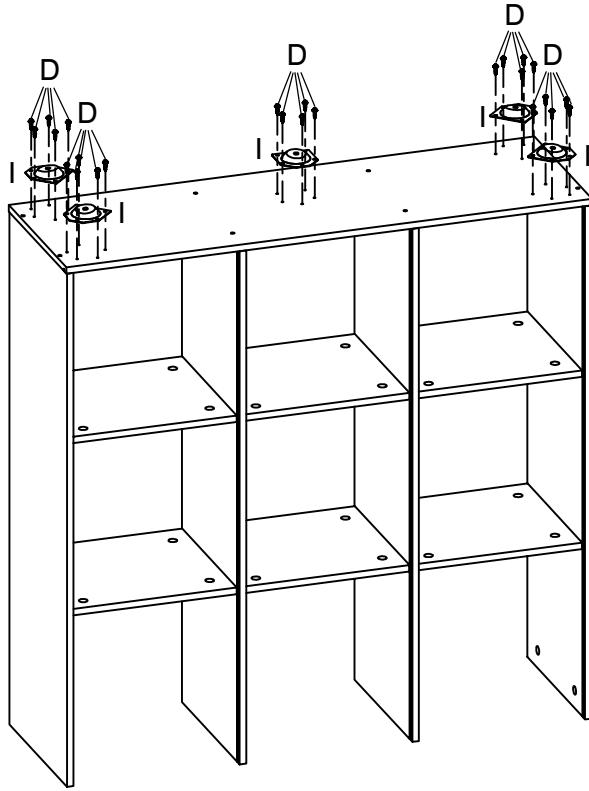
B x8

6



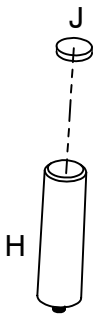
C x8

7

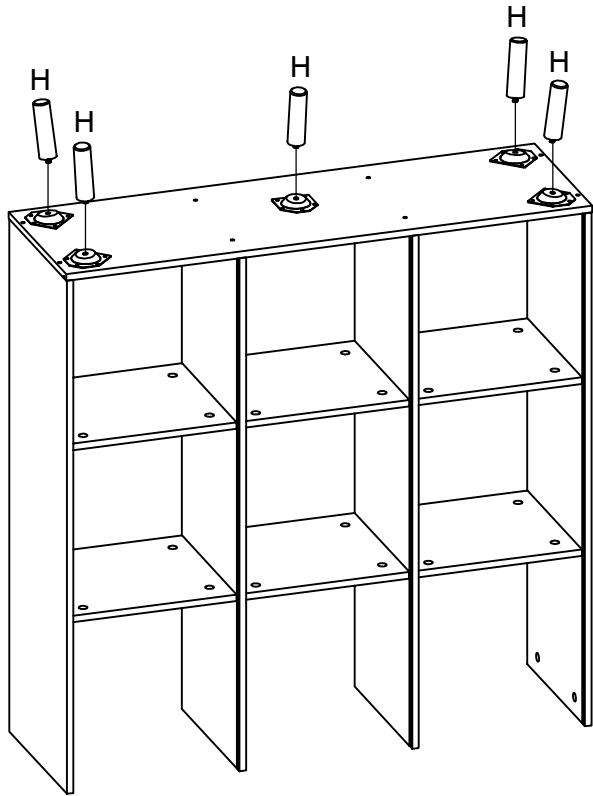


I	x5
D	x25

8

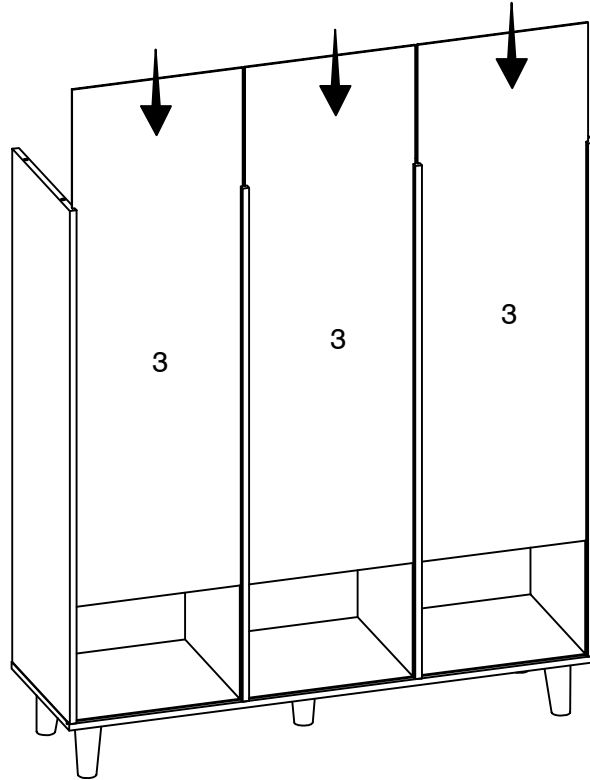


x5

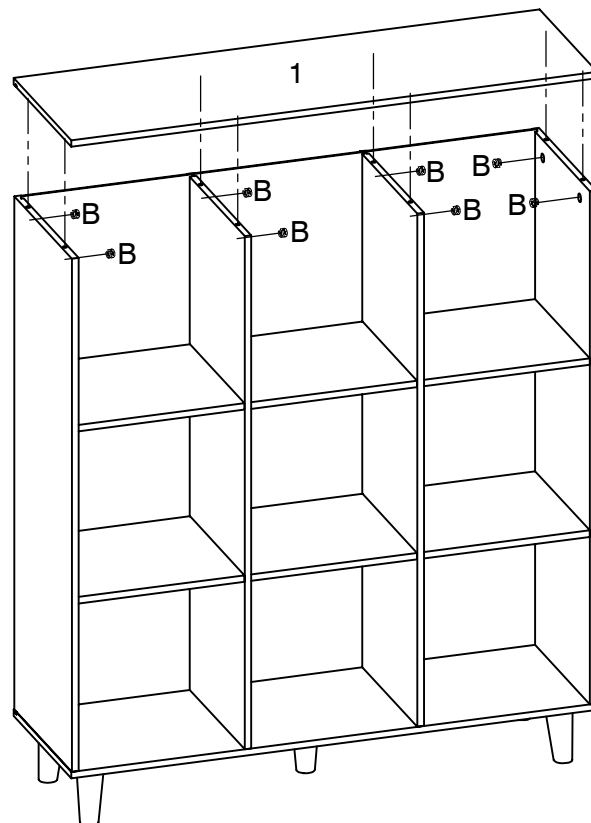


J	x5
H	x5

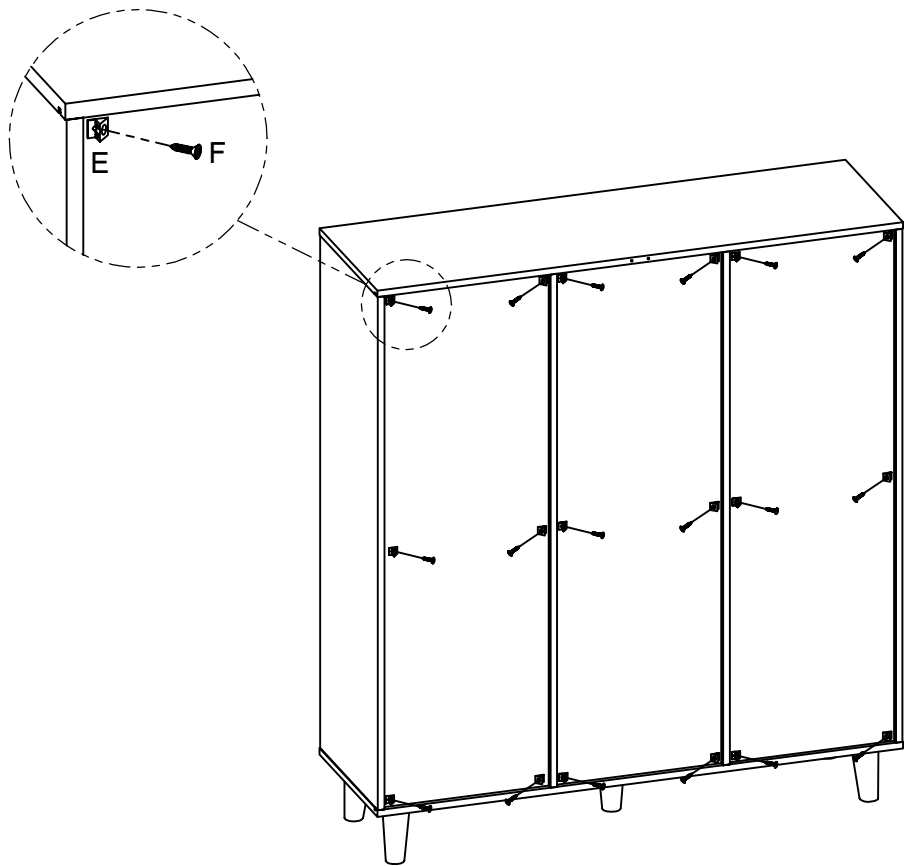
9



10

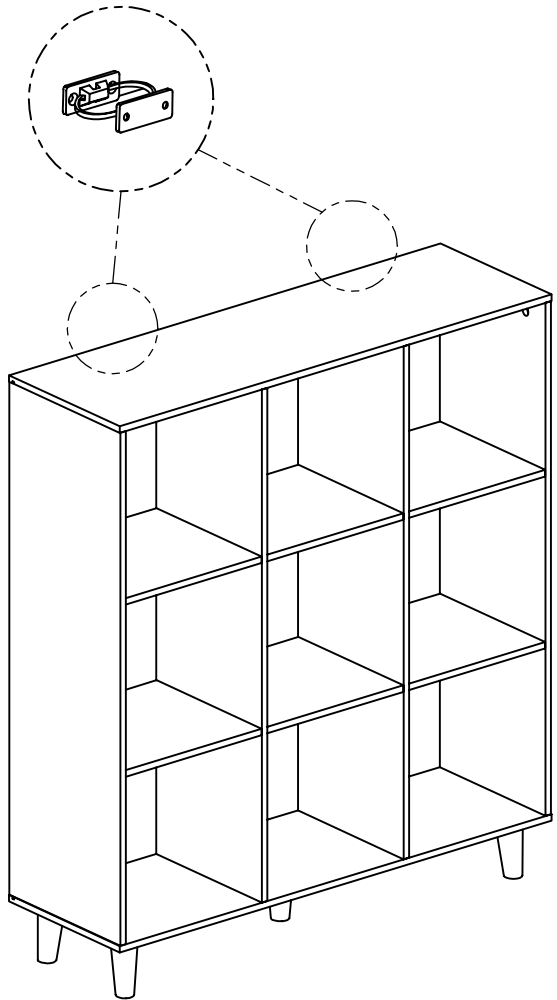


11



E	x18
F	x18

12



G	x2
---	----