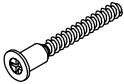




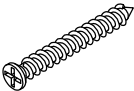
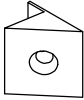
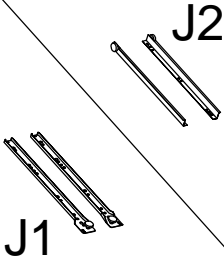
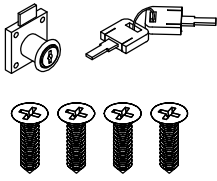
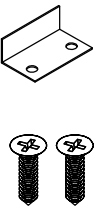
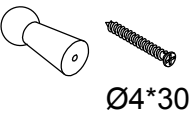
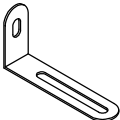

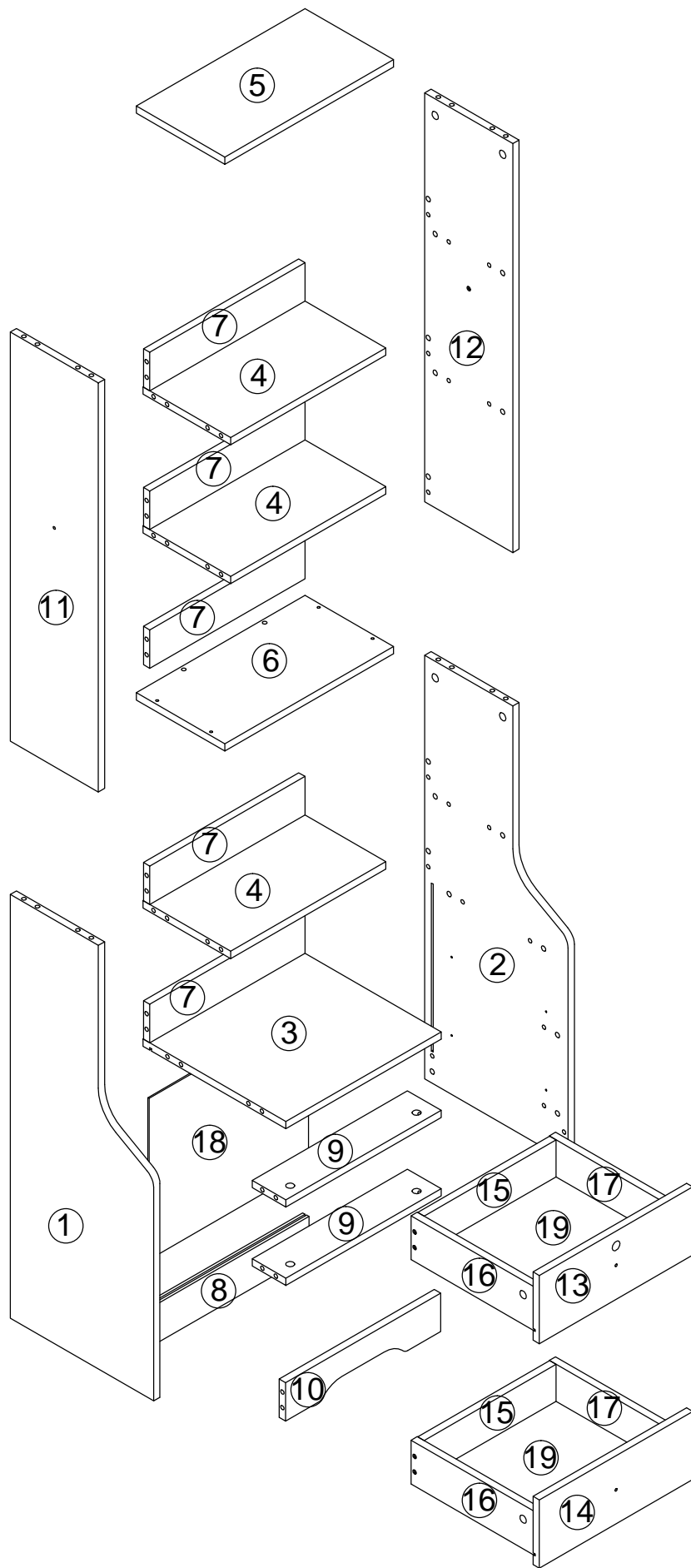
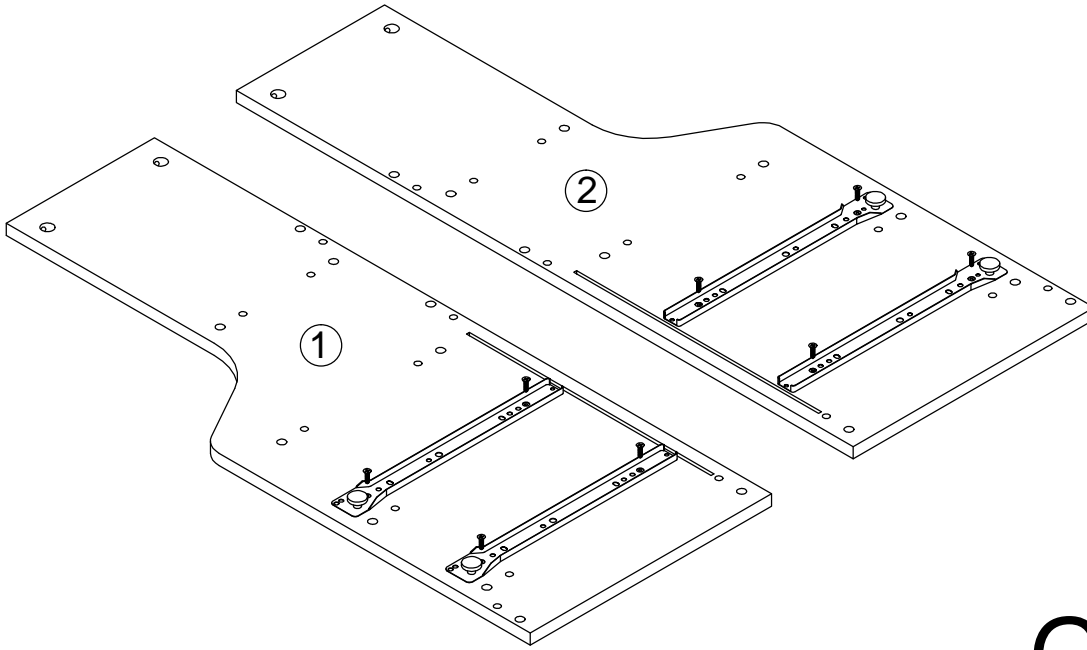
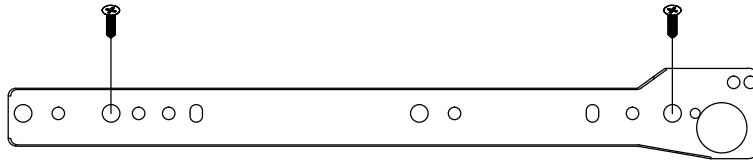
 Ø8*40	 Ø5*40	 Ø4*18		 Ø20
<b>A×46</b>	<b>B×56</b>	<b>C×4</b>	<b>D×2</b>	<b>E×4</b>	<b>F×46</b>
 Ø3.5*14	 Ø4*35		 J1 J2	 Ø3.5*16	 Ø3*14
<b>G×23</b>	<b>H×9</b>	<b>I×6</b>	<b>J×2</b>	<b>K×1</b>	<b>L×1</b>
 Ø4*30					
<b>M×2</b>	<b>N×1</b>	<b>O×1</b>			

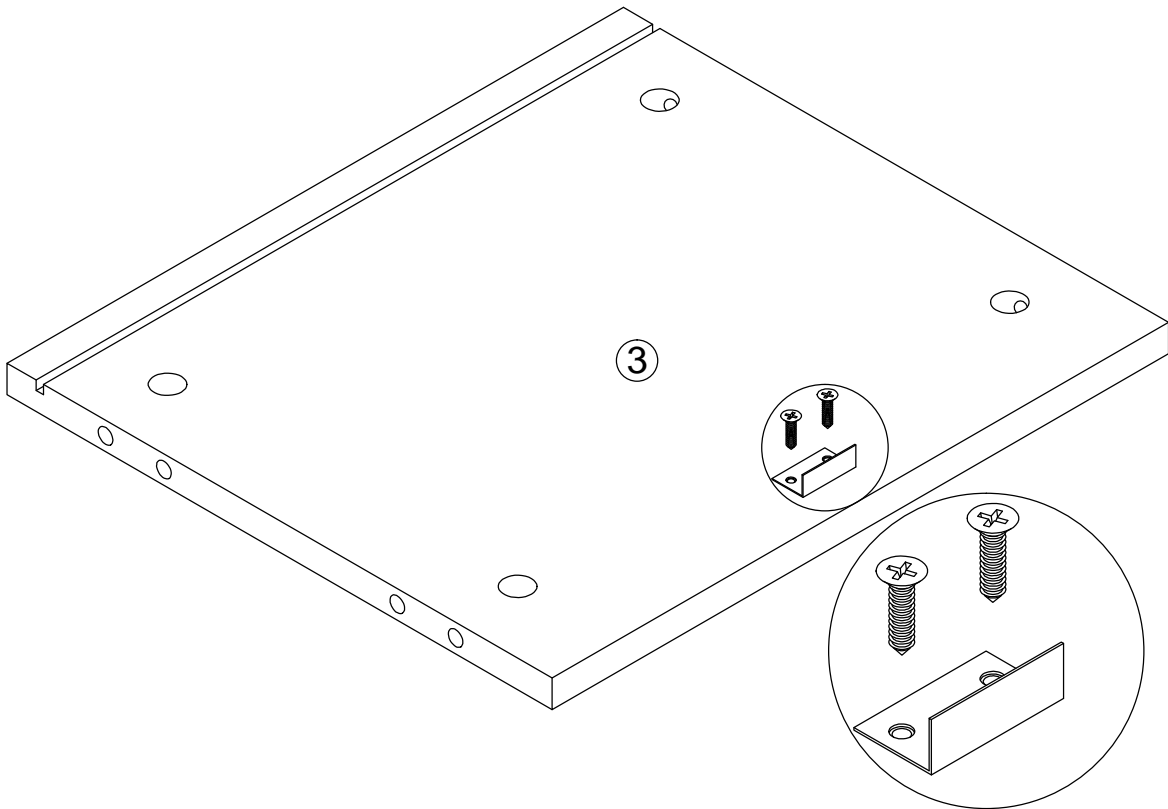


# 1



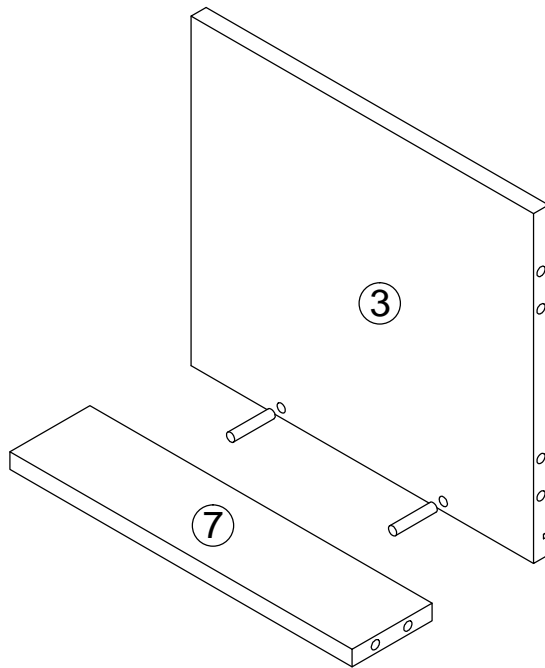
G\*8+J1\*2

# 2



L\*1

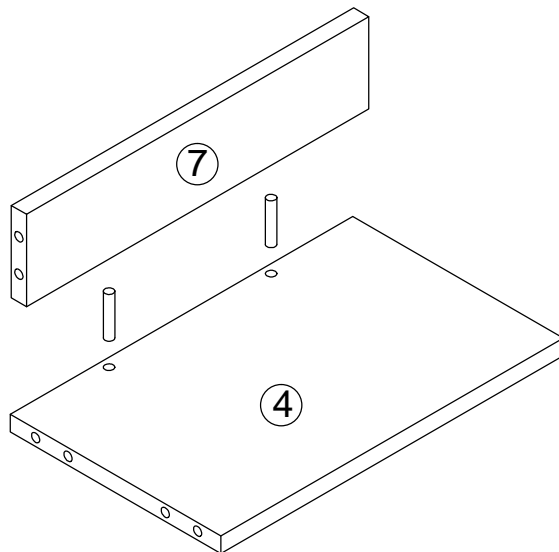
# 3



B\*2

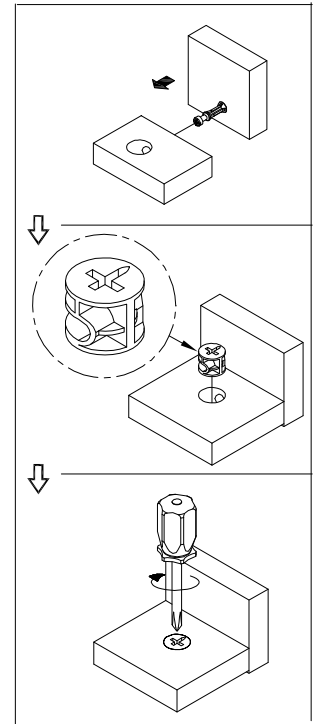
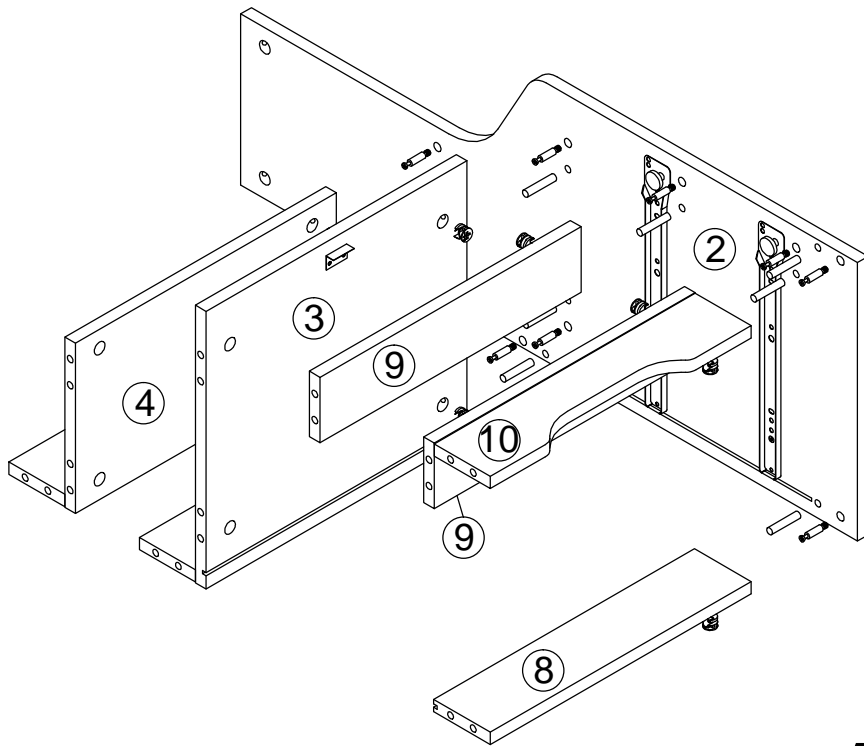
# 4

×3pcs



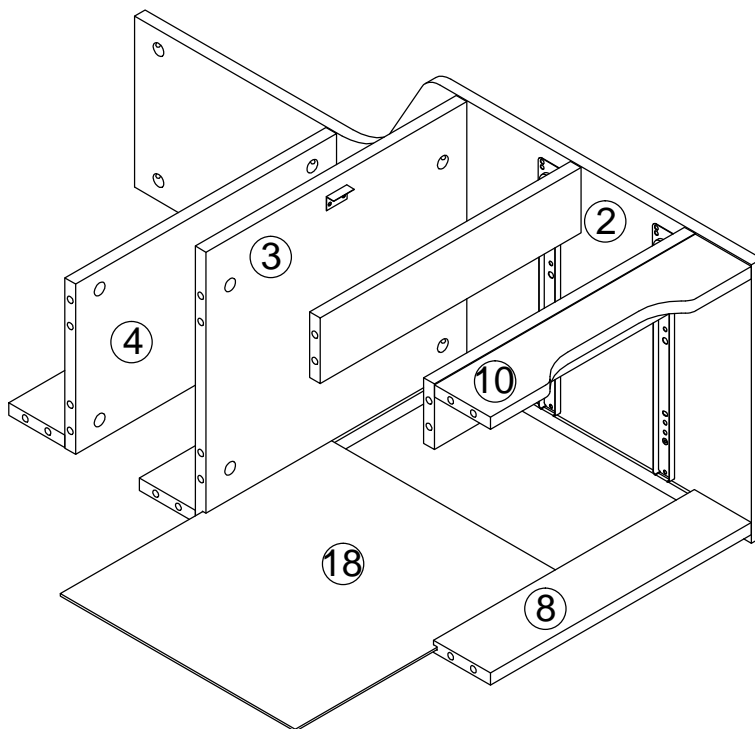
B\*6

# 5

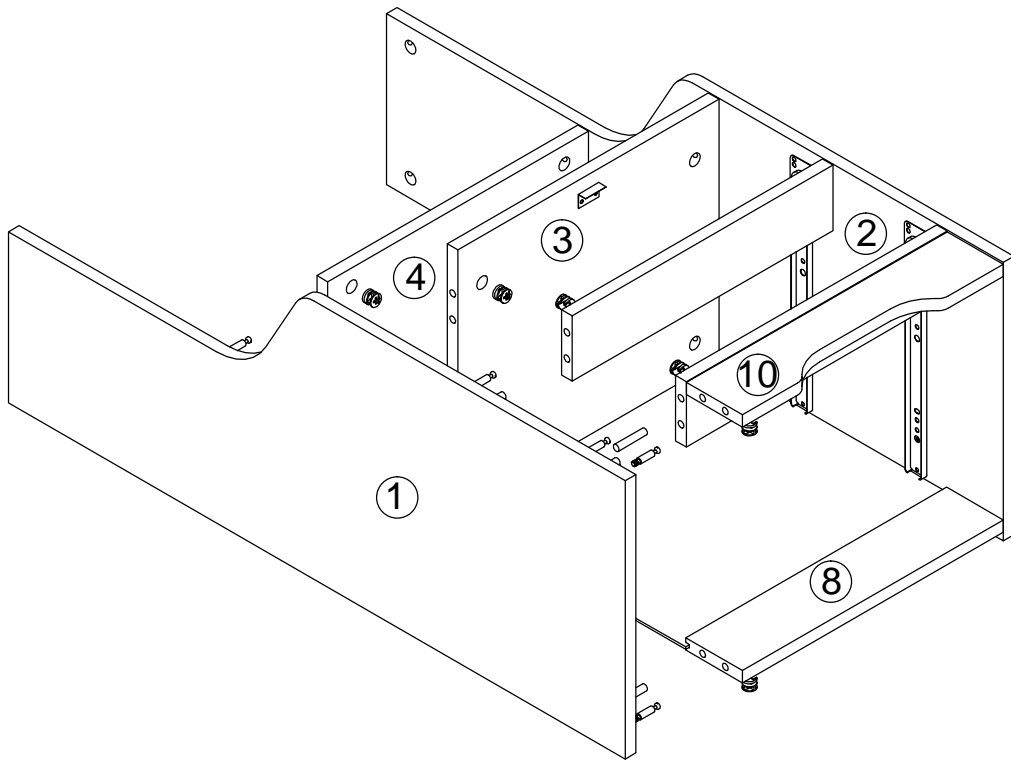


$A*10+B*10$

# 6

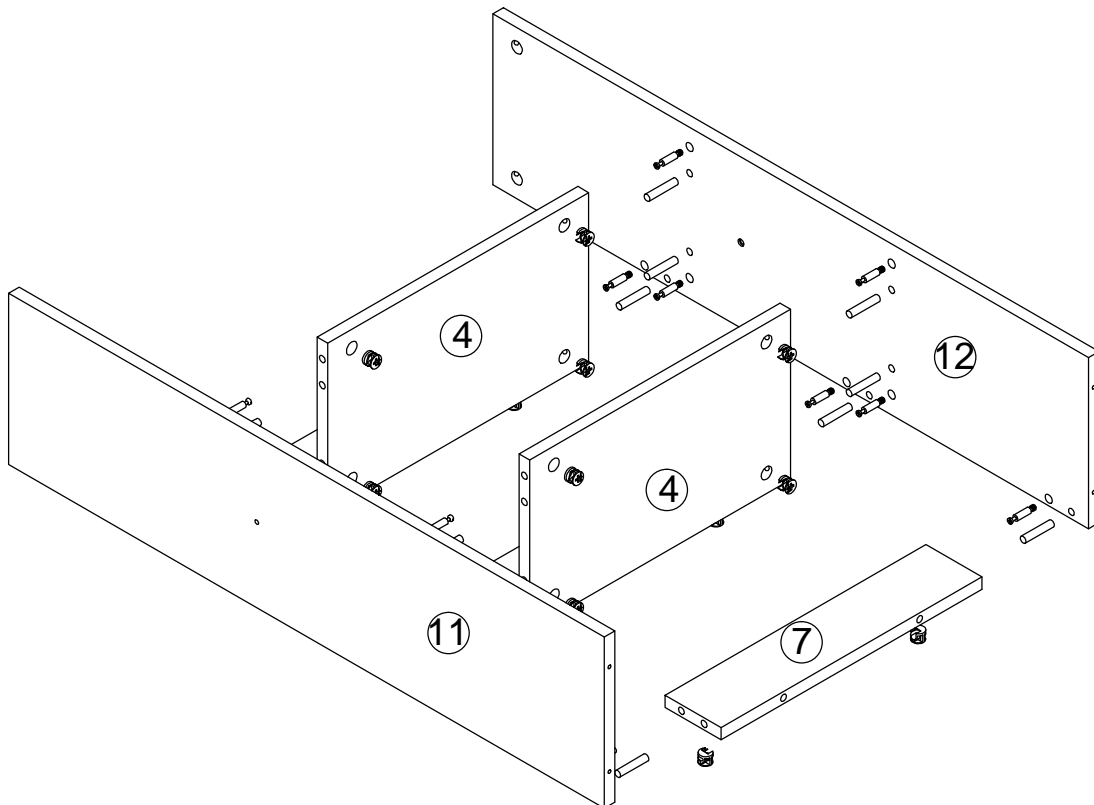


# 7



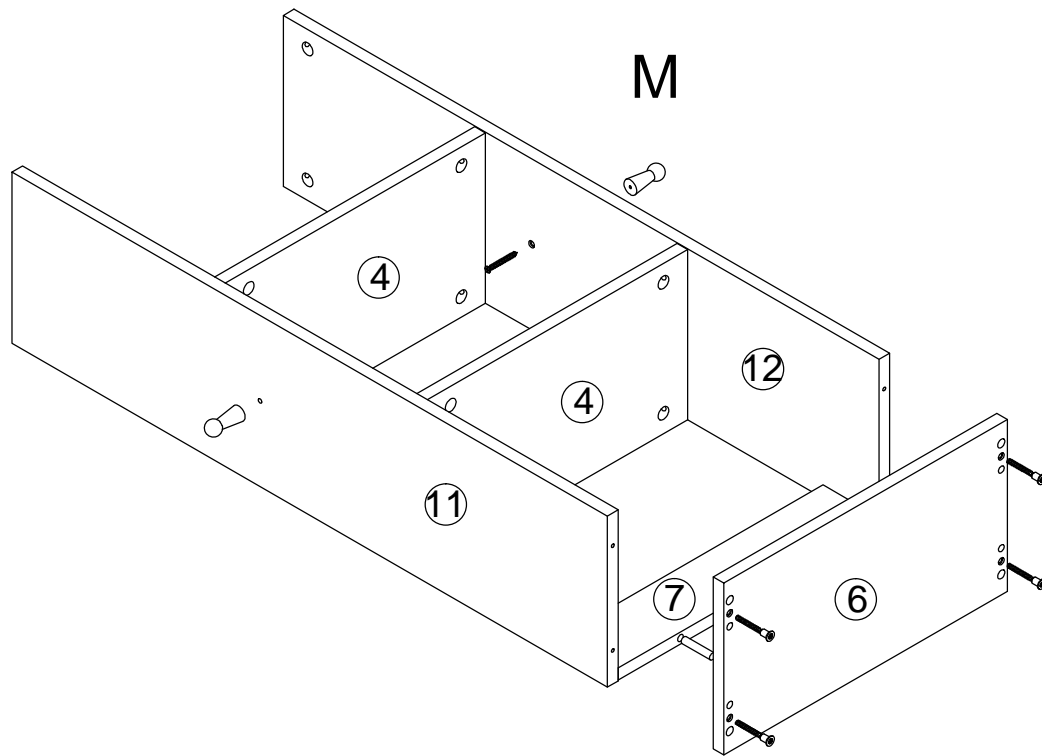
$A*10+B*10$

# 8



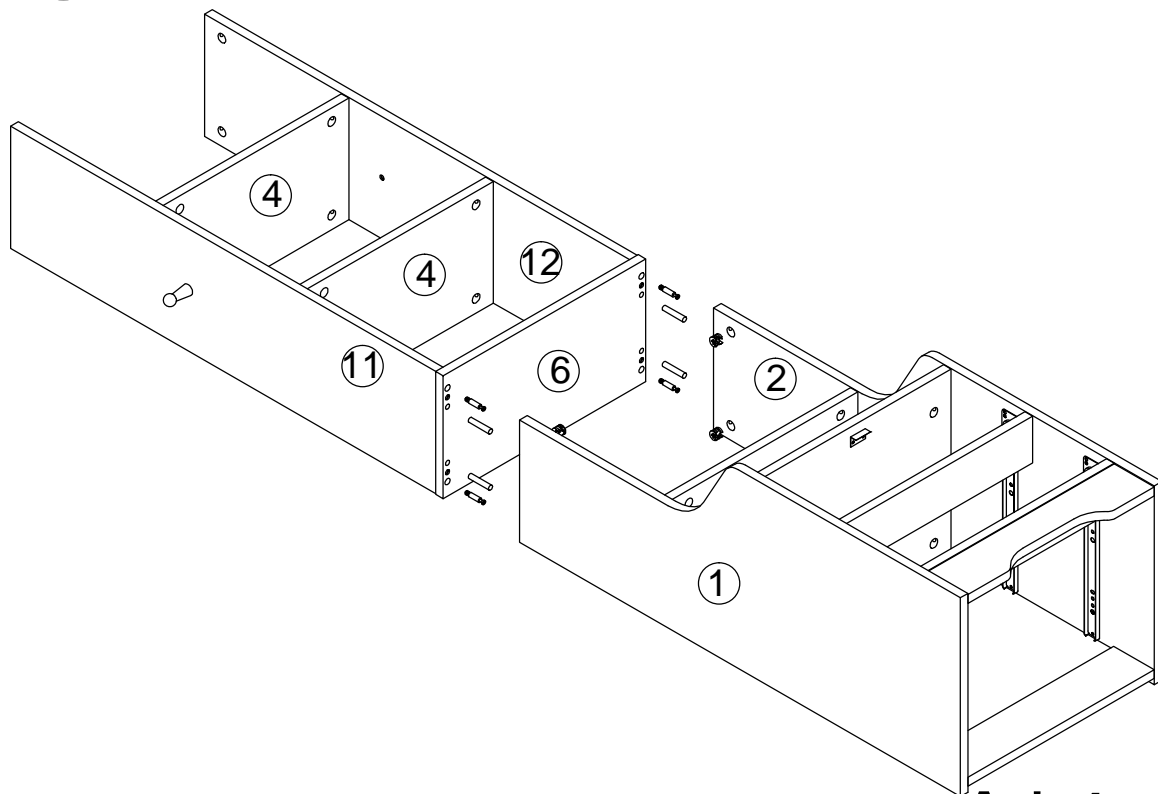
$A*14+B*14$

# 9



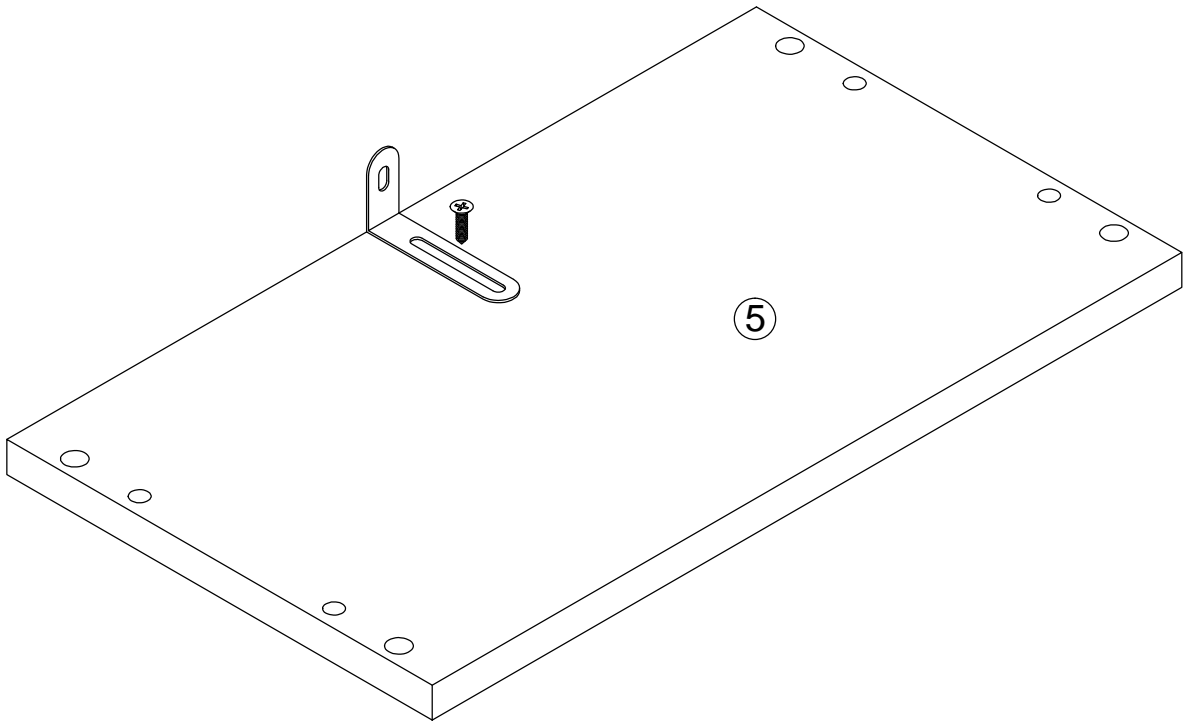
$$B*2+C*4+M*2$$

# 10



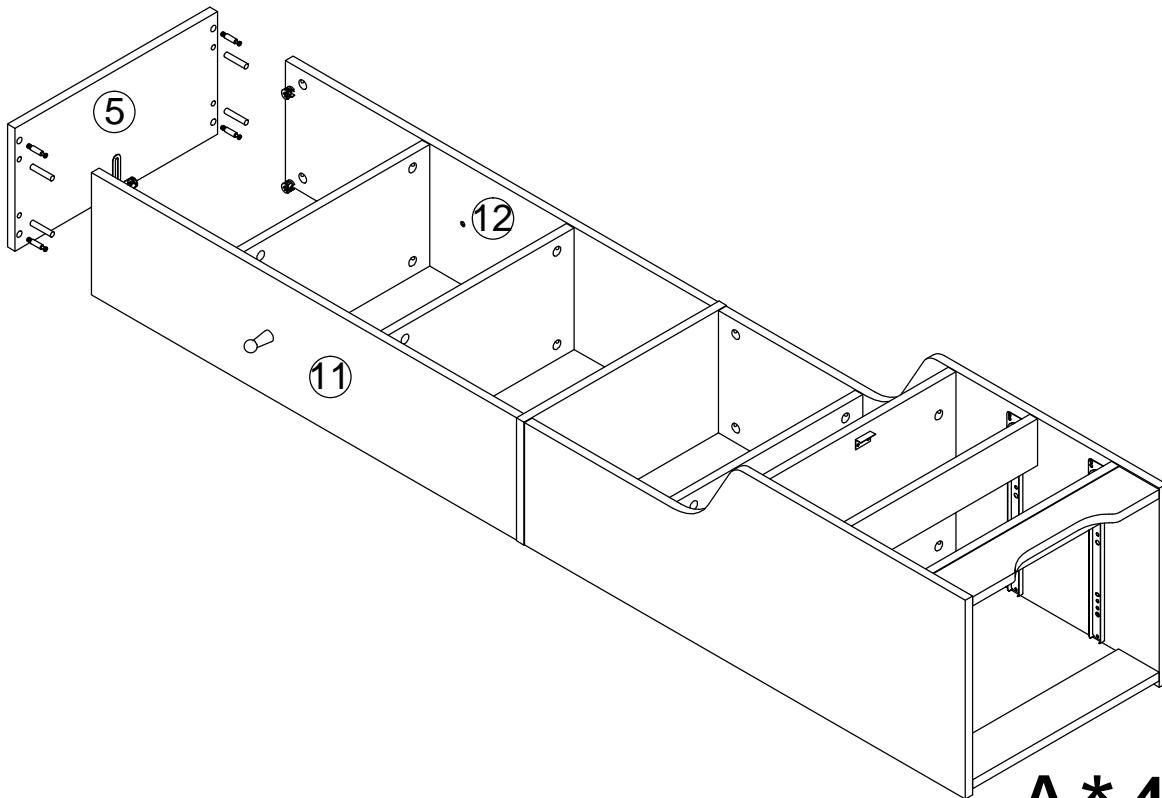
$$A*4+B*4$$

# 11



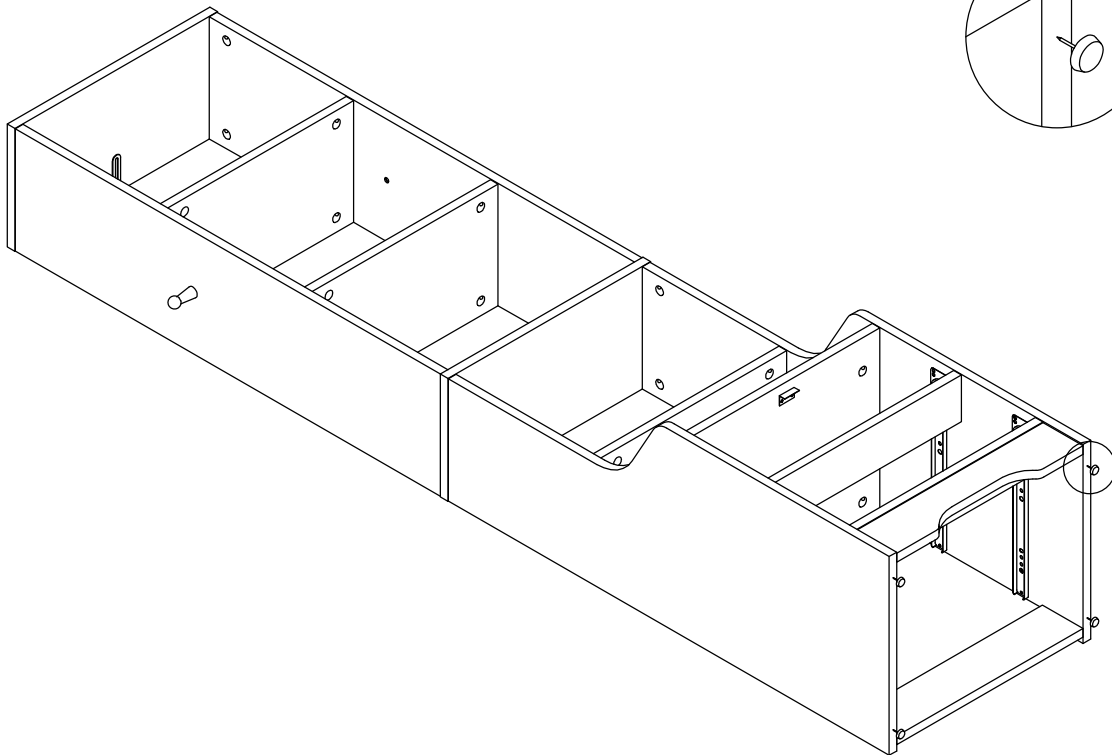
$G*1+N*1$

# 12



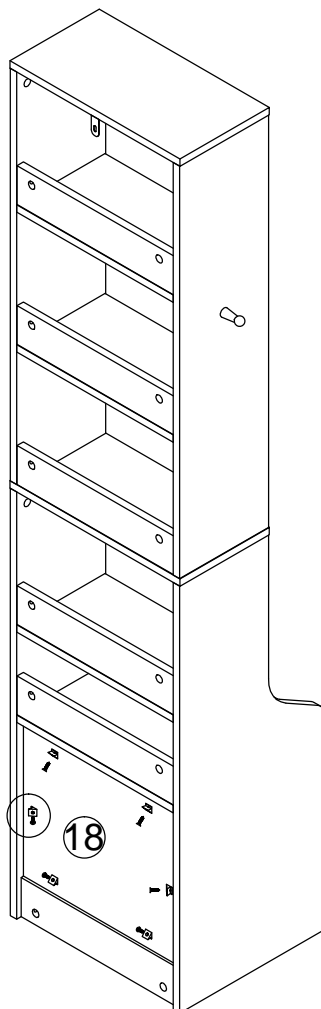
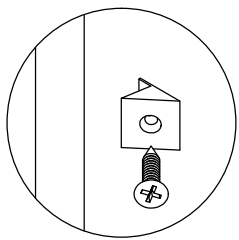
$A*4+B*4$

# 13



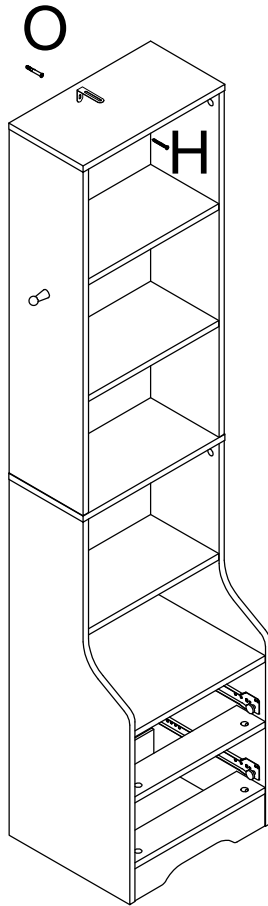
E\*4

# 14



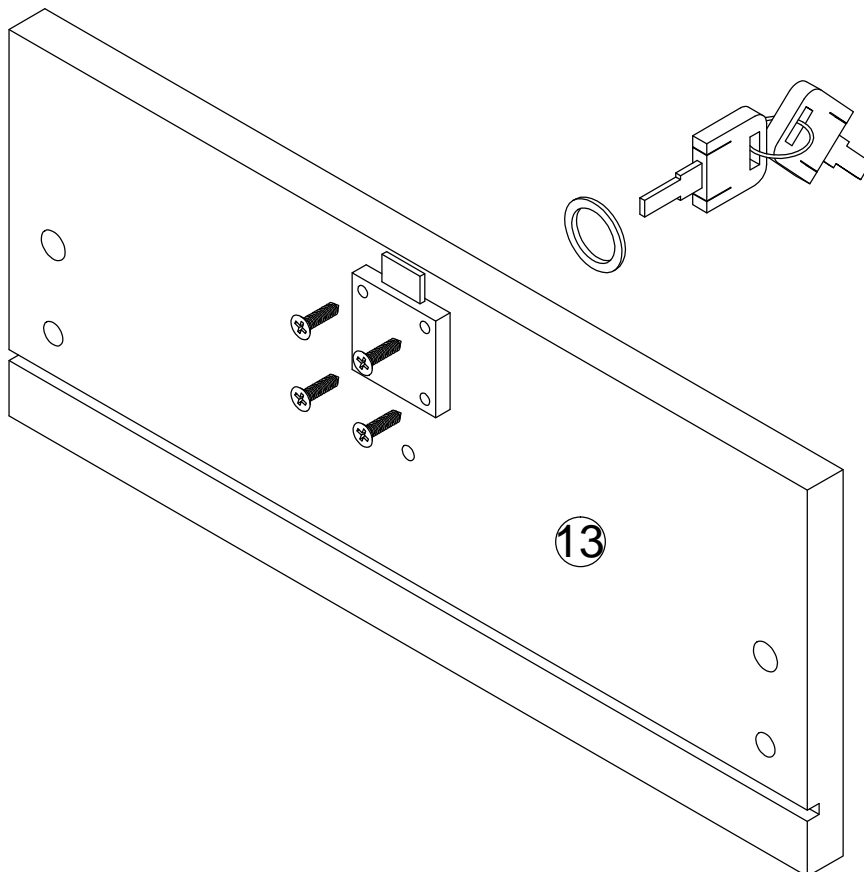
G\*6+I\*6

# 15



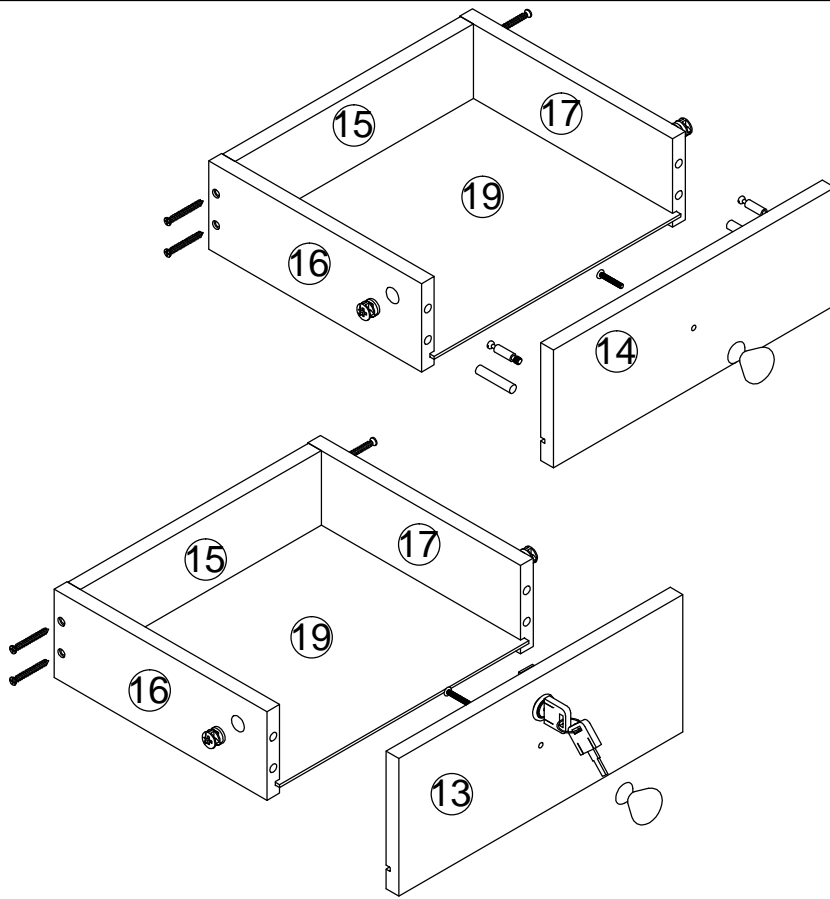
H\*1+O\*1

# 16



K\*1

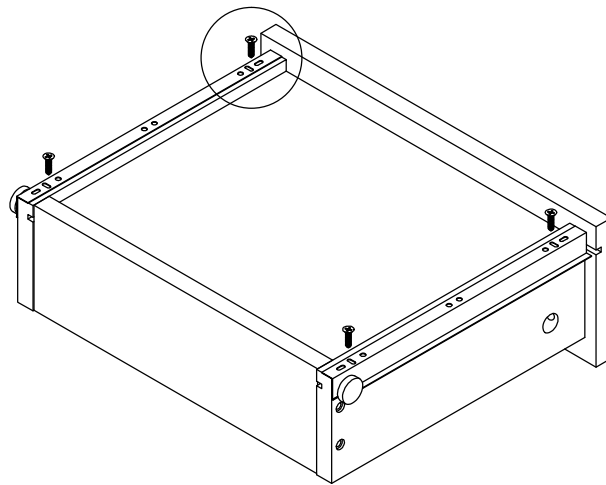
# 17



$$A*4+B*4+D*2+H*8$$

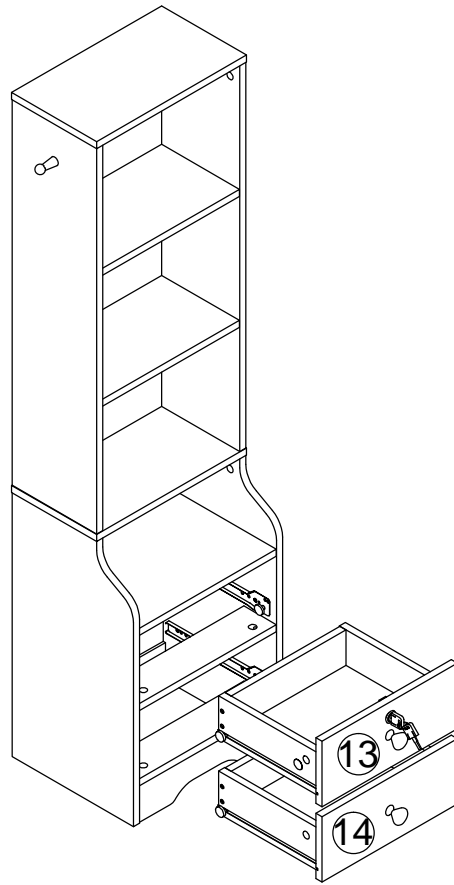
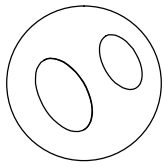
# 18

×2pcs



$$G*8+J2*2$$

# 19



F\*46

# 20

