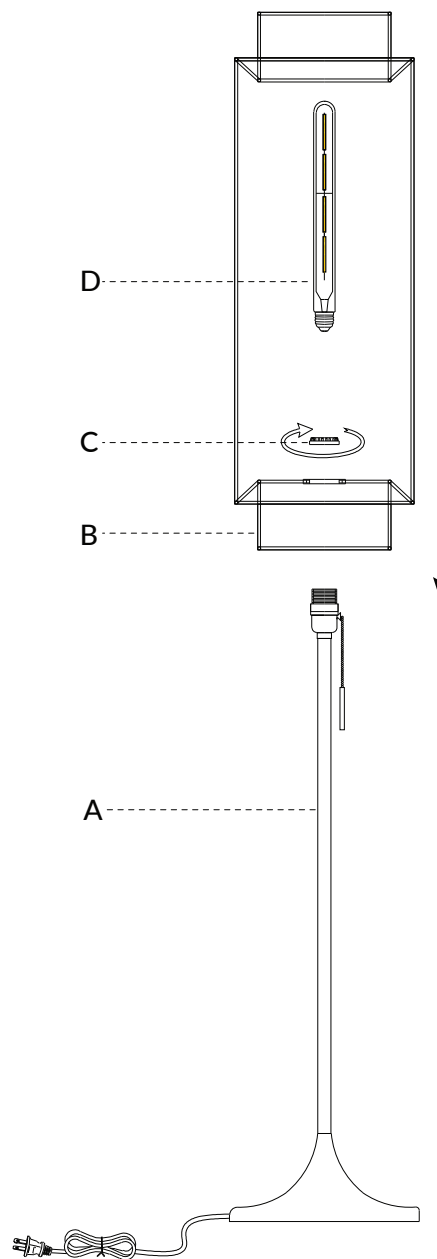


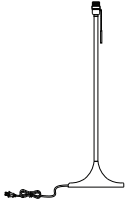
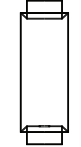


ASSEMBLY INSTRUCTIONS

Lollipop, Floor Lamp, Black Nickel

2011802BN, 2011803BN, 201804BN,
201805BN, 201806BN

1. Carefully remove all parts from the carton and place them on a clean surface. Please refer to the below list of components included inside the carton.
2. Place the lampshade (B) over the base (A) and secure it by screwing the socket ring (C) snugly. You will find the socket ring attached to the socket.
3. Insert Bulb (D) into the socket snugly.
Bulb: T10 E26 120V 8W 2700K Flicker-free LED (included).
4. Plug into a 110V outlet.
7. Enjoy the beautiful light.



ITEMS INCLUDED / ARTICULOS INCLUIDOS			
A	B	C	D
			
TUBE TUBO	SHADE PANTALLA	SOCKET RING ANILLO DE CASQUILLO	BULB BOMBILLA

IMPORTANT SAFETY INSTRUCTIONS

This lamp has a polarized plug (one blade is wider than the other) as a safety feature to reduce the risk of electric shock. This plug will fit in a polarized outlet only one way. If the plug does not fit fully in the outlet, reverse the plug. If it still does not fit, contact a qualified electrician. Never use with an extension cord unless the plug can be fully inserted. Do not alter the plug.

For a step by step assembly video, please go to www.novaofcalifornia.com

IMPORTANTES INSTRUCCIONES DE SEGURIDAD

Esta lampara tiene un enchufe polarizado (una navaja es mas ancha que la otra) como forma de seguridad para reducir el riesgo de un shock electrico. Este enchufe polarizado entrara en una conexión solo de un lado. Si el enchufe no entra en la conexión trate al reverso. Si aun así no entra, contacte a un electricista calificado. Nunca use una extension a menos que el enchufe pueda ser conectado completamente. No altere el enchufe.