

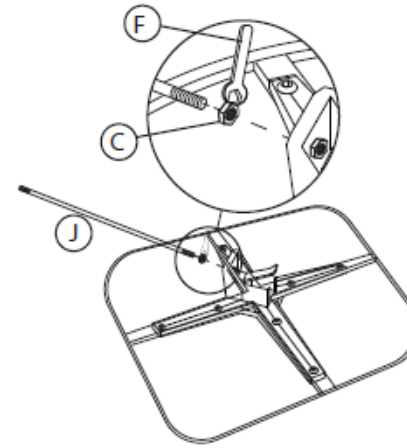
# Assembly Instructions

## KALMAR Outdoor Table

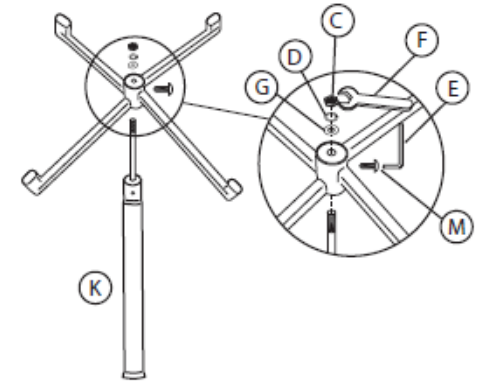


PLEASE NOTE: Check that you have received all components and hardware before assembling. If you are missing any parts, contact your retailer.

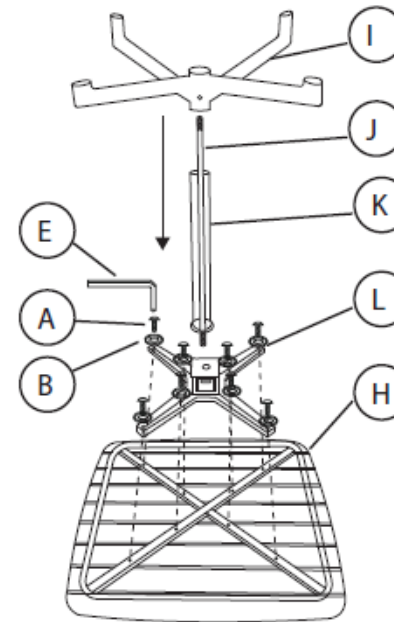
### Step 1

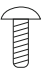







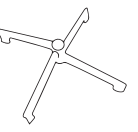
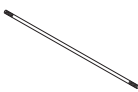
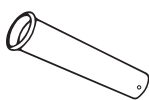
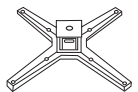
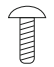


### Step 2



### Step 3



- |  |   |   |   |
|--|---|---|---|
|   |    |    |    |
| A (8 pcs)  | B (8 pcs)   | C (3 pcs)   | D (1 pc)  |
|  |  |  |  |
| E (1 pc)   | F (1 pc)  | G (1 pc)  | H (1 pc)  |
|  |  |  |  |
| I (1 pc)   | J (1 pc)  | K (1 pc)  | L (1 pc)  |
|  |   |   |  |
|  |   |   | M (1 pc)  |

During assembly, hand tighten screws only. When the screws are in place, tighten completely.