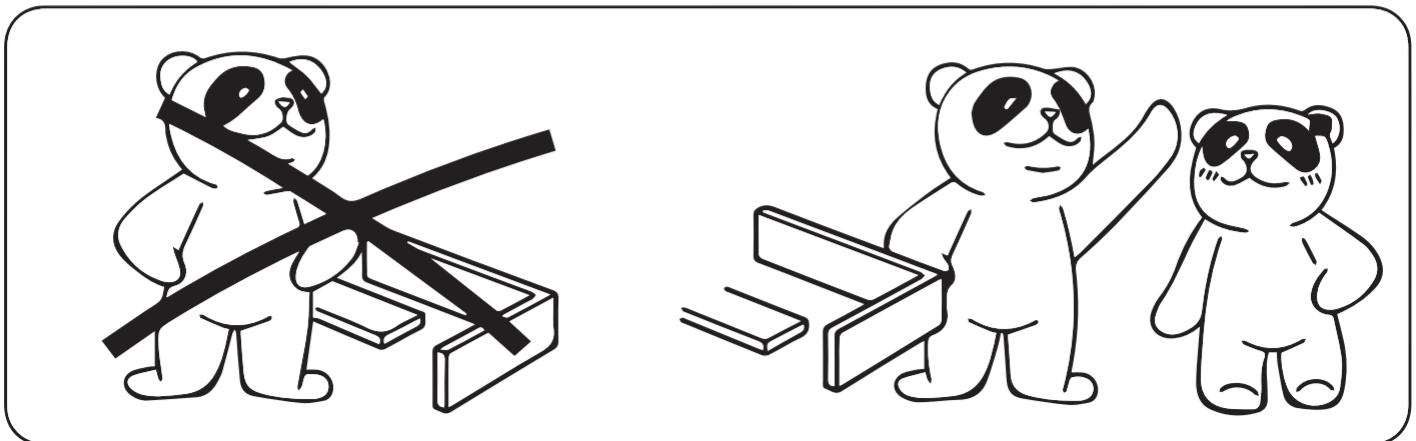
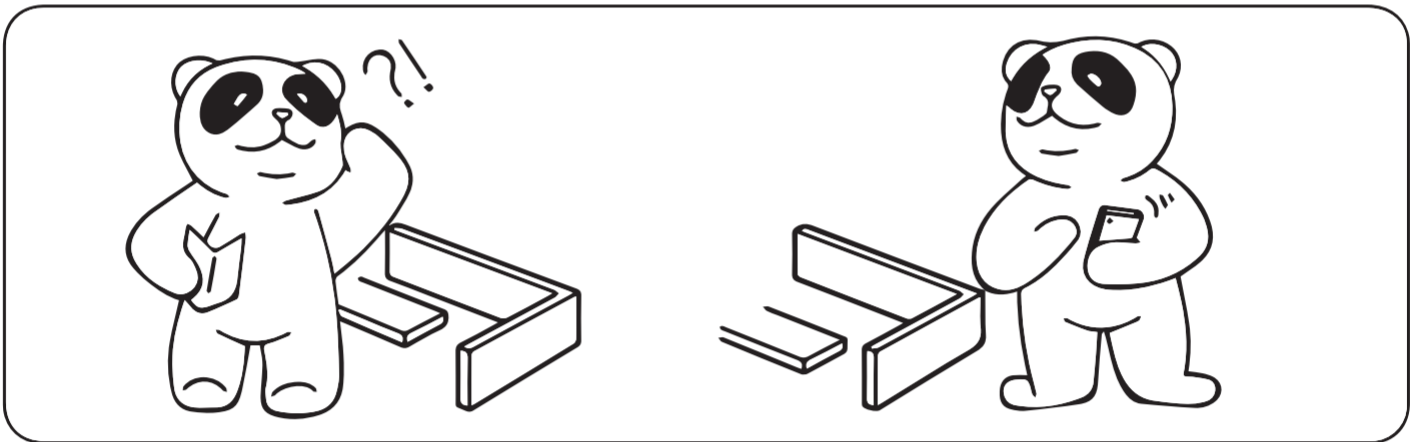
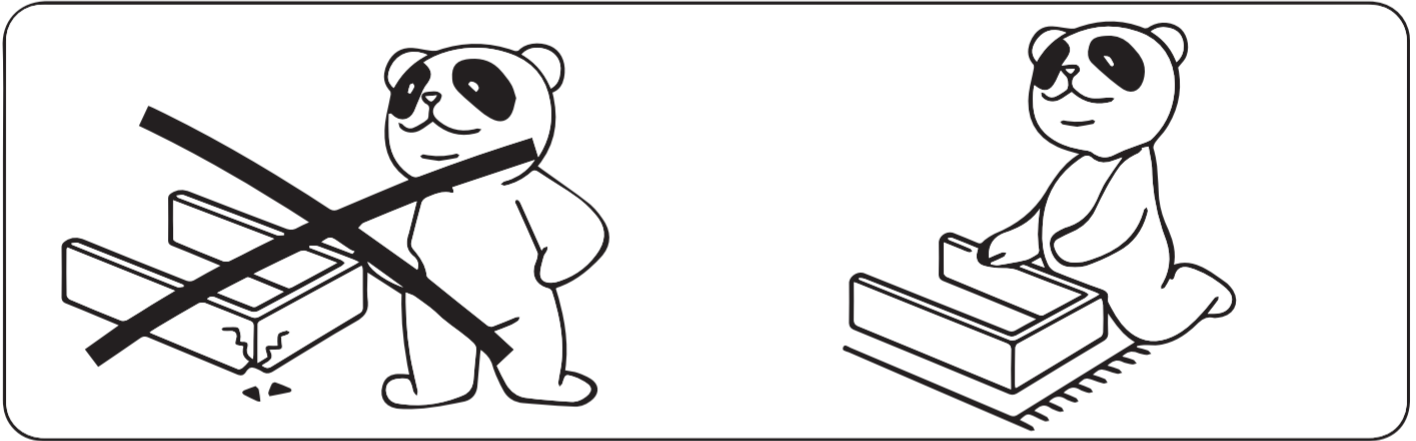
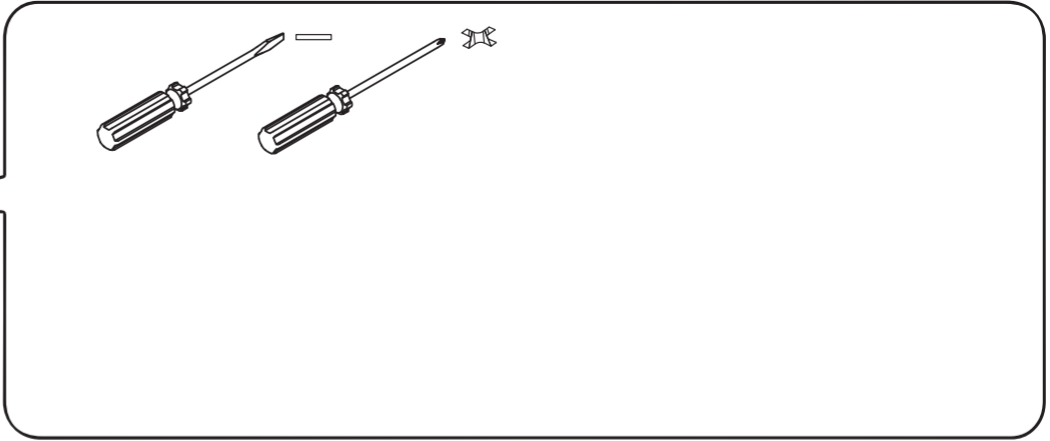
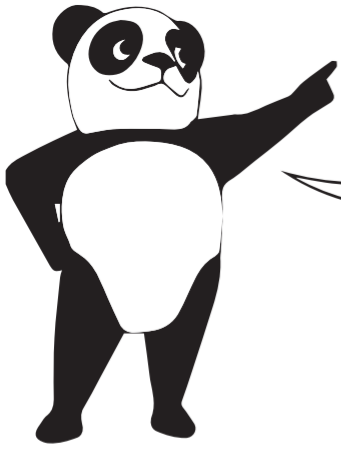


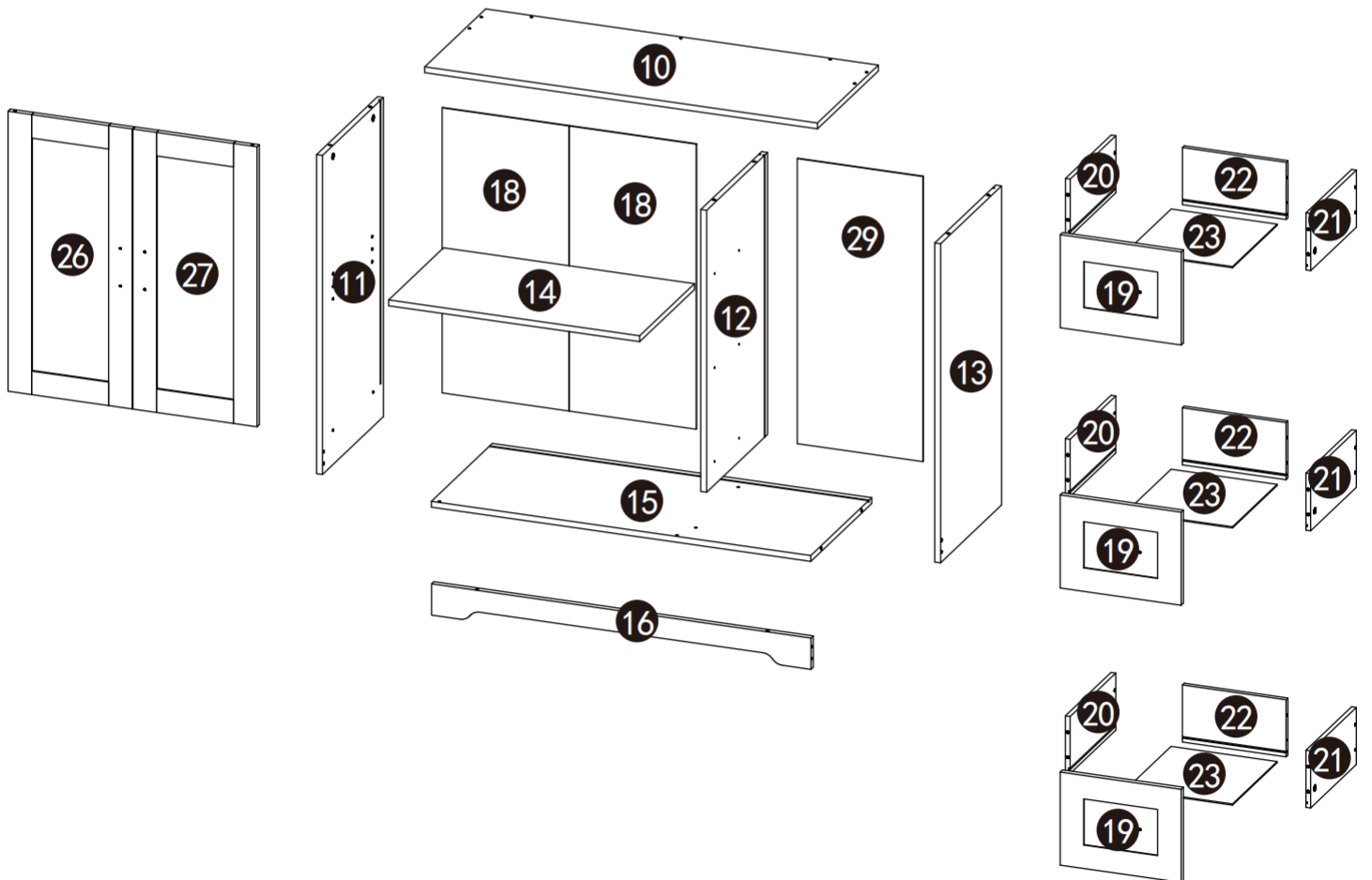
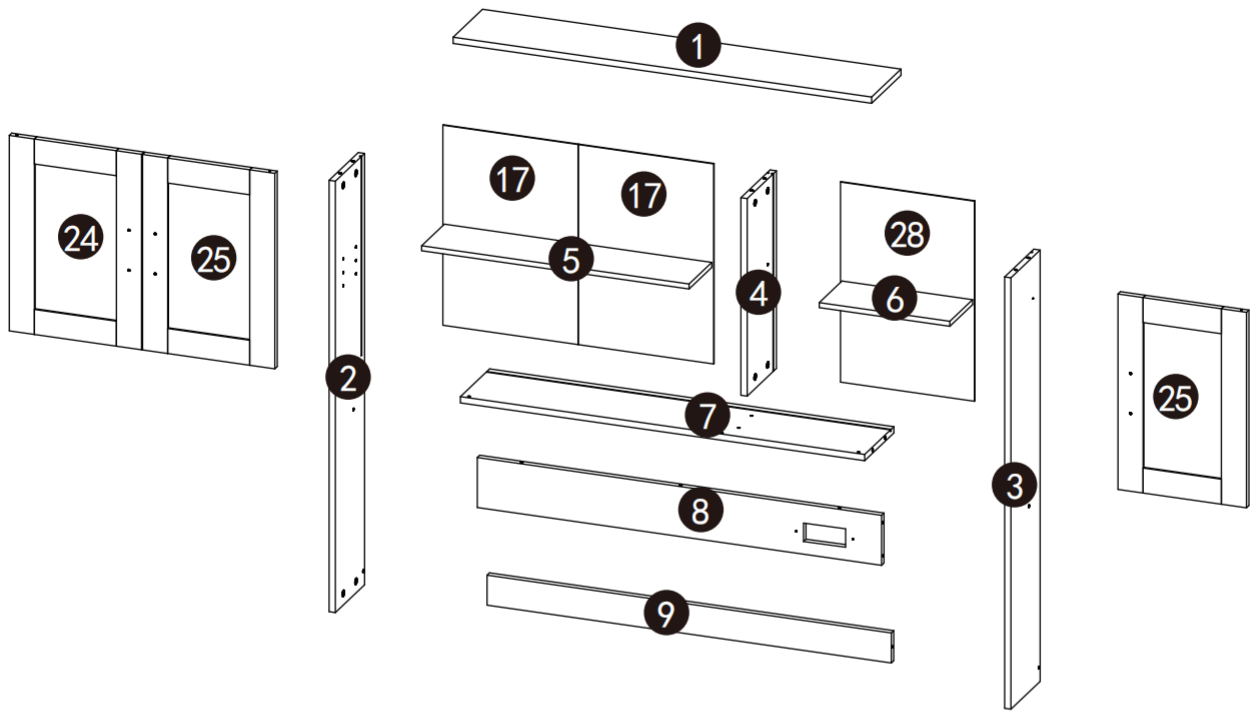


FZCG04

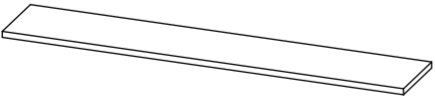
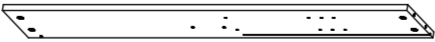
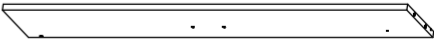
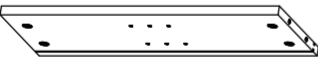
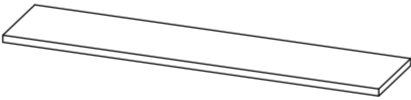
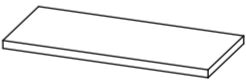



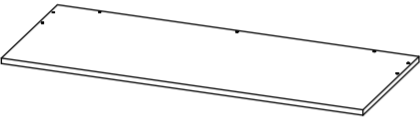

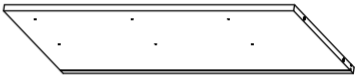

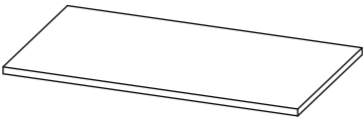
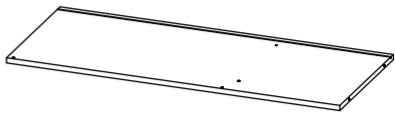
Instruction Manual

Thanks a lot your support and purchasing.
Please feel free to contact us if you have any questions with assembly or need replacement parts.





PARTS LIST

| | | |
|--|---|---|
| <p>1</p>  <p>1000x166x12mm x1</p> | <p>2</p>  <p>970x165x12mm x1</p> | <p>3</p>  <p>970x165x12mm x1</p> |
| <p>4</p>  <p>458x165x12mm x1</p> | <p>5</p>  <p>639x123x12mm x1</p> | <p>6</p>  <p>321x123x12mm x1</p> |
| <p>7</p>  <p>972x165x12mm x1</p> | <p>8</p>  <p>972x120x12mm x1</p> | <p>9</p>  <p>972x60x12mm x1</p> |
| <p>10</p>  <p>1000x400x12mm x1</p> | <p>11</p>  <p>800x398x12mm x1</p> | <p>12</p>  <p>708x398x12mm x1</p> |
| <p>13</p>  <p>800x398x12mm x1</p> | <p>14</p>  <p>639x356x12mm x1</p> | <p>15</p>  <p>972x398x12mm x1</p> |

PARTS LIST

16



972x80x12mm x1

17



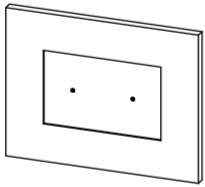
322.5x465x3mm x2

18



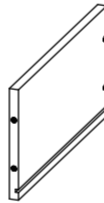
322.5x715x3mm x2

19



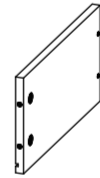
317x232.5x12mm x3

20



300x140x12mm x3

21



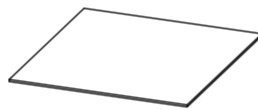
300x140x12mm x3

22



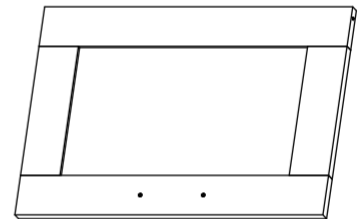
271x140x12mm x3

23



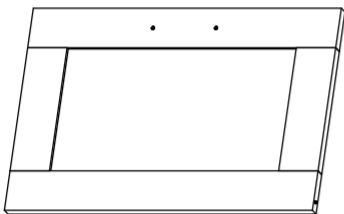
279x296x3mm x3

24



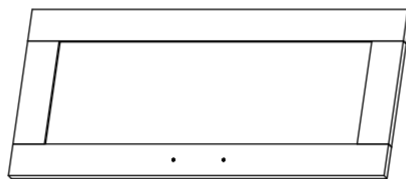
316x452x12mm x1

25



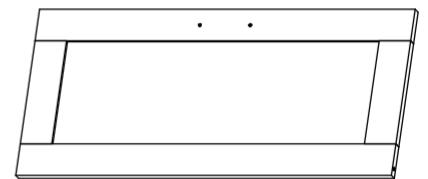
316x452x12mm x2

26



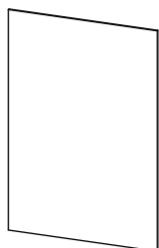
316x702x12mm x1

27



316x702x12mm x1

28





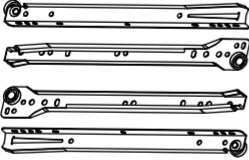

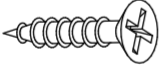








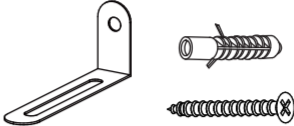
328x465x3mm x1

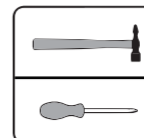
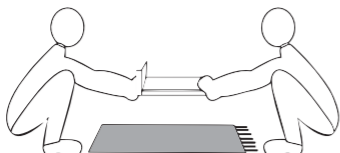
29



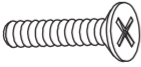
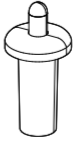

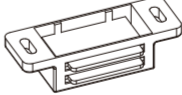



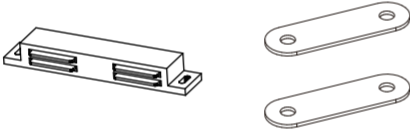
328x715x3mm x1

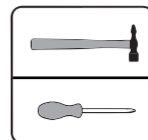
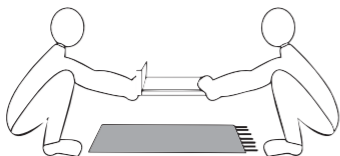
HARDWARE LIST

| | |
|--|---|
| <p>A  6x40 x49</p> | <p>B  15x11 x49</p> |
| <p>C=CL+DL+CR+DR</p> | |
| <p>C  12inches x3</p> | <p>D  x1</p> |
| <p>E  M3.5x12 x31</p> | <p>F  M5x40/#3 x22/x1</p> |
| <p>G  x12</p> | <p>H  x1</p> |
| <p>J  x20</p> | <p>K  x1</p> |
| <p>L  21mm x20</p> | <p>M  x3</p> |
| <p>N  M3x14 x26</p> | <p>O  x2</p> |



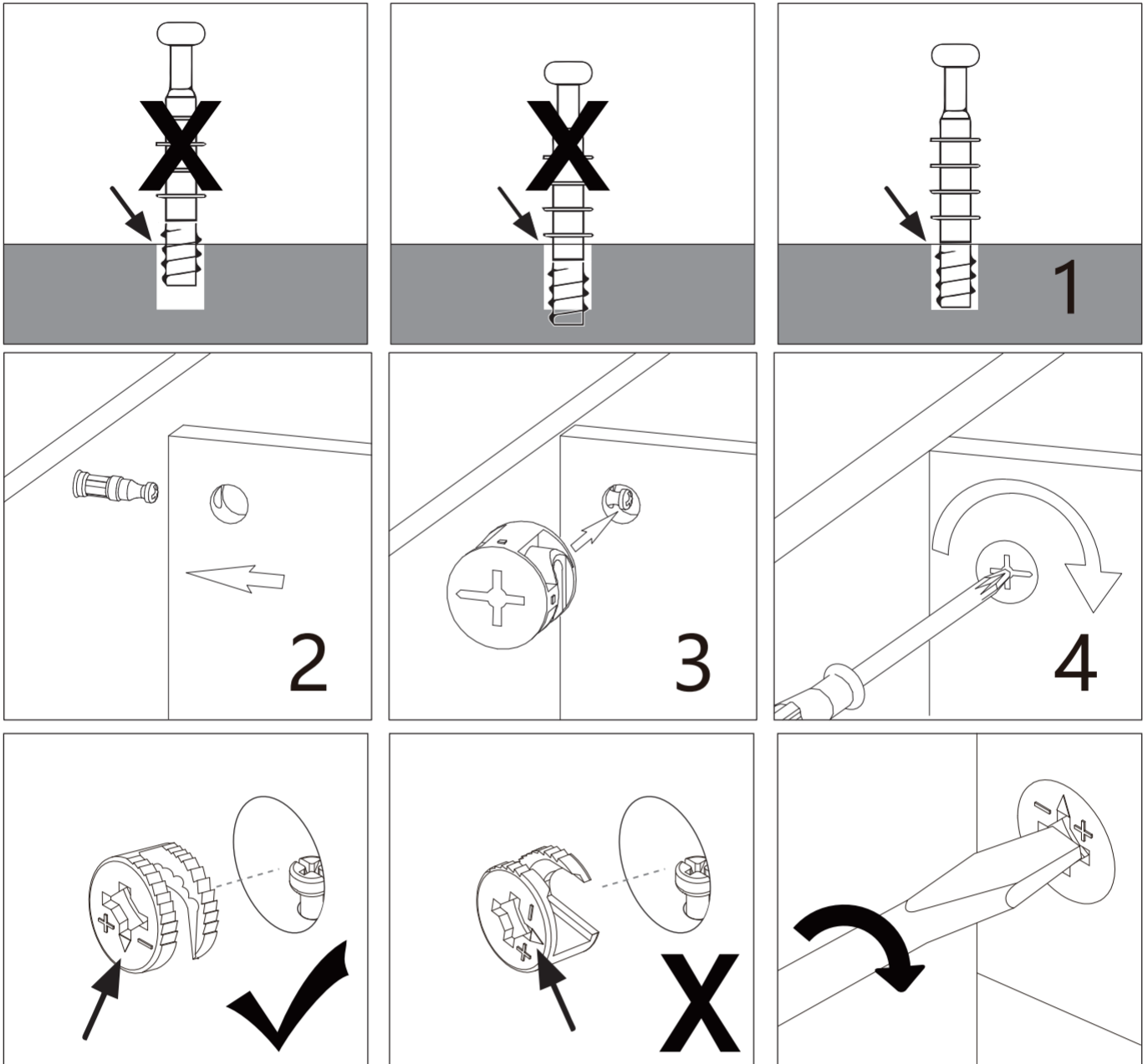
HARDWARE LIST

| | |
|--|---|
| <p>P</p>  <p>M4x12</p> <p>x16</p> | <p>Q</p>  <p>x10</p> |
| <p>R</p>  <p>x8</p> | <p>S</p>   <p>x1</p> |
| <p>T</p>  <p>x1</p> | <p>U</p>  <p>M3x12</p> <p>x10</p> |
| <p>V</p>  <p>x2</p> | |
| | |
| | |
| | |

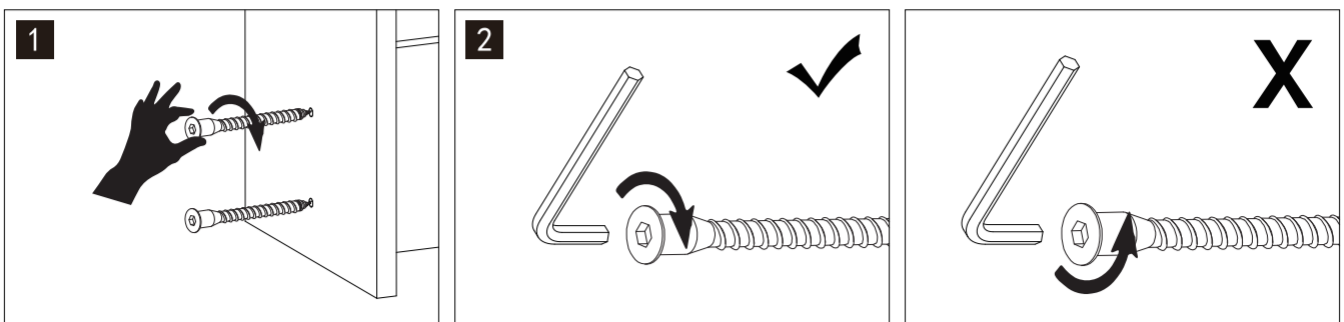


Hardware installation indication

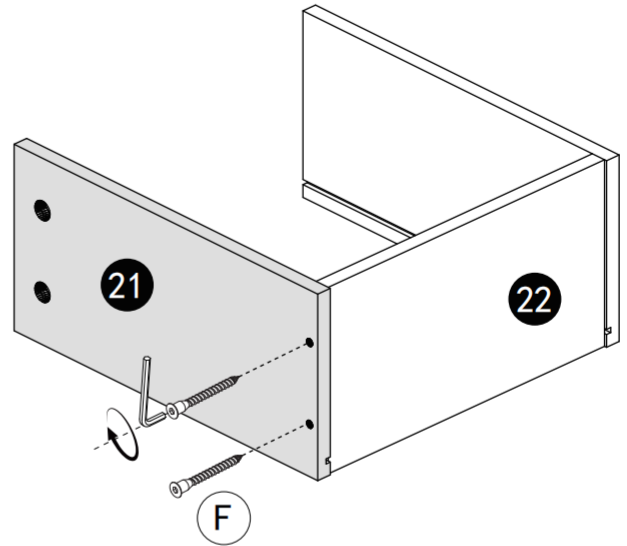
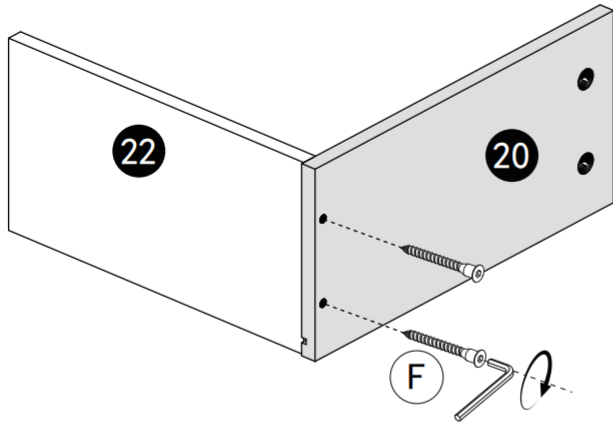
Installation method of three in one rod and buckle



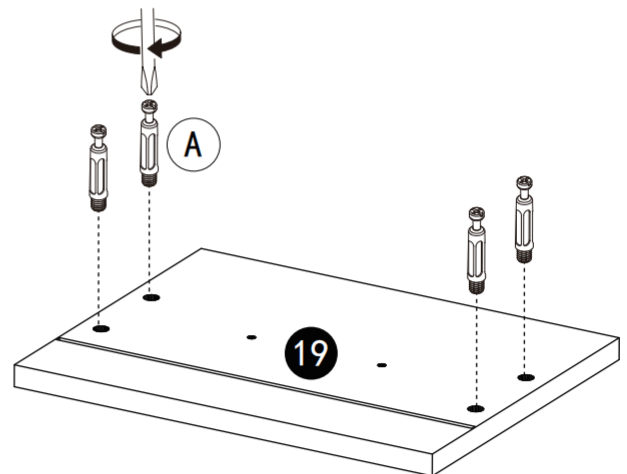
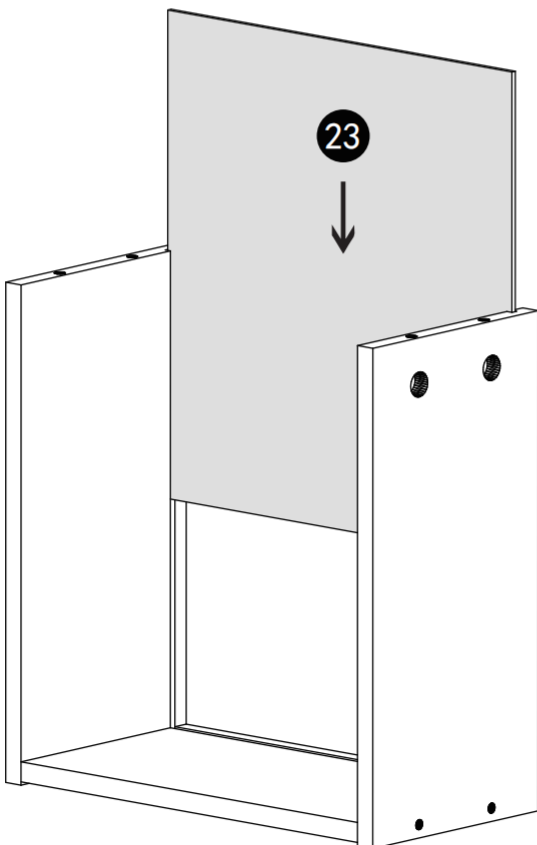
Screw installation method





1

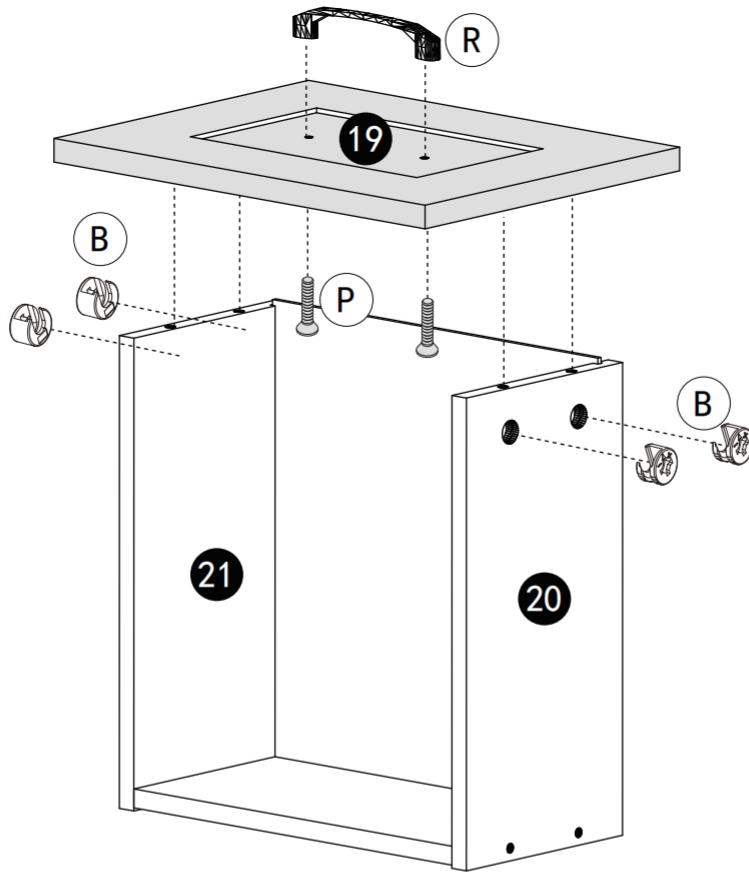





X3



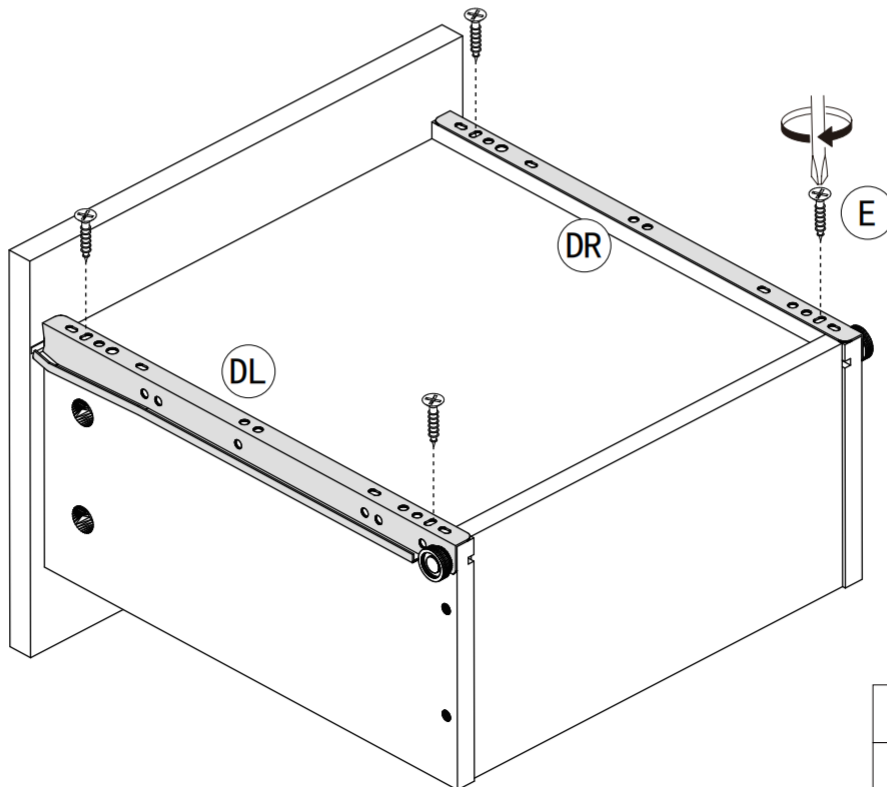
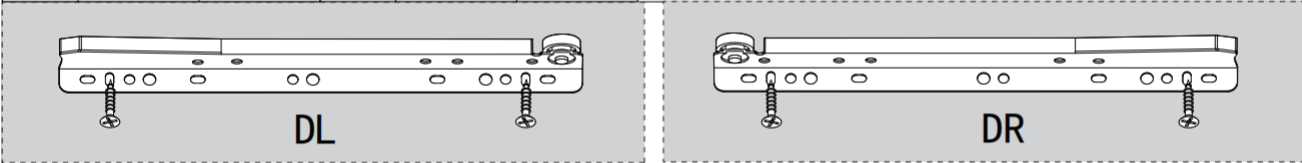
| | | |
|---|---|-----|
| A |  | x12 |
| F |  | x12 |




2

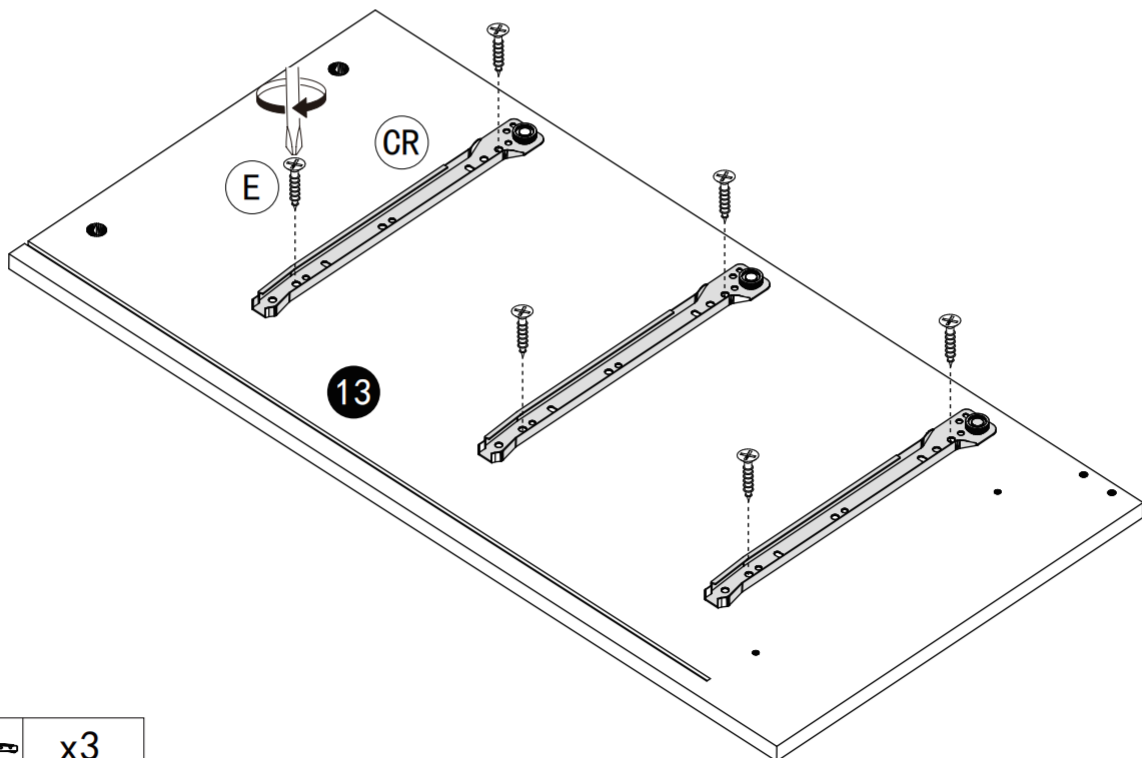
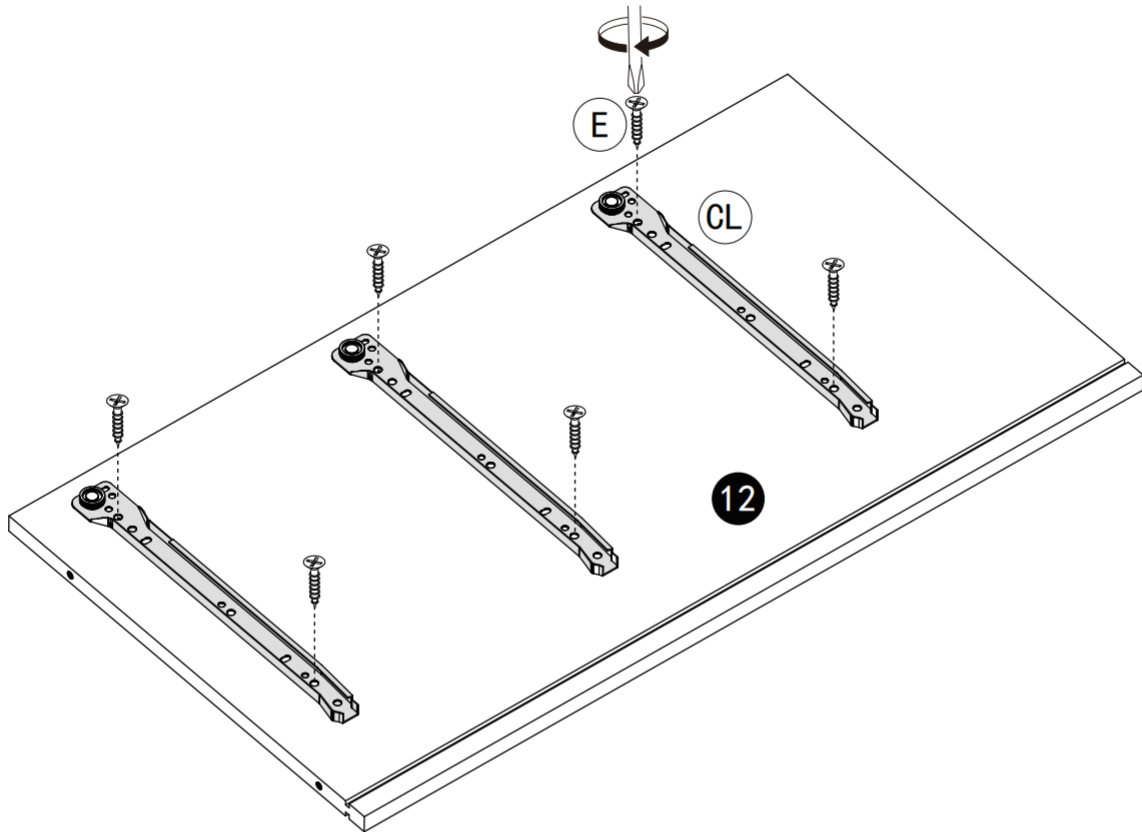
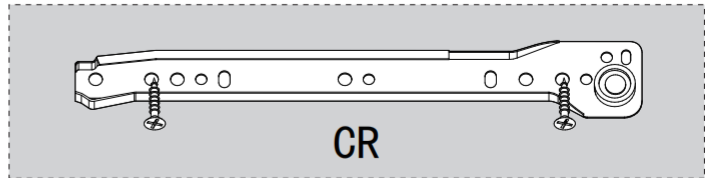
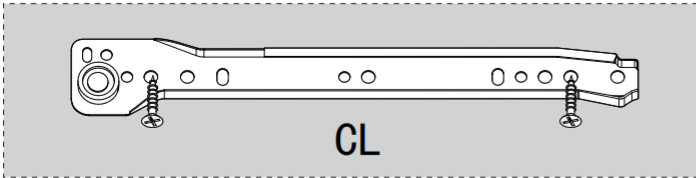


| | | |
|---|--|-----|
| P |  | x6 |
| R |  | x3 |
| B |  | x12 |

X3



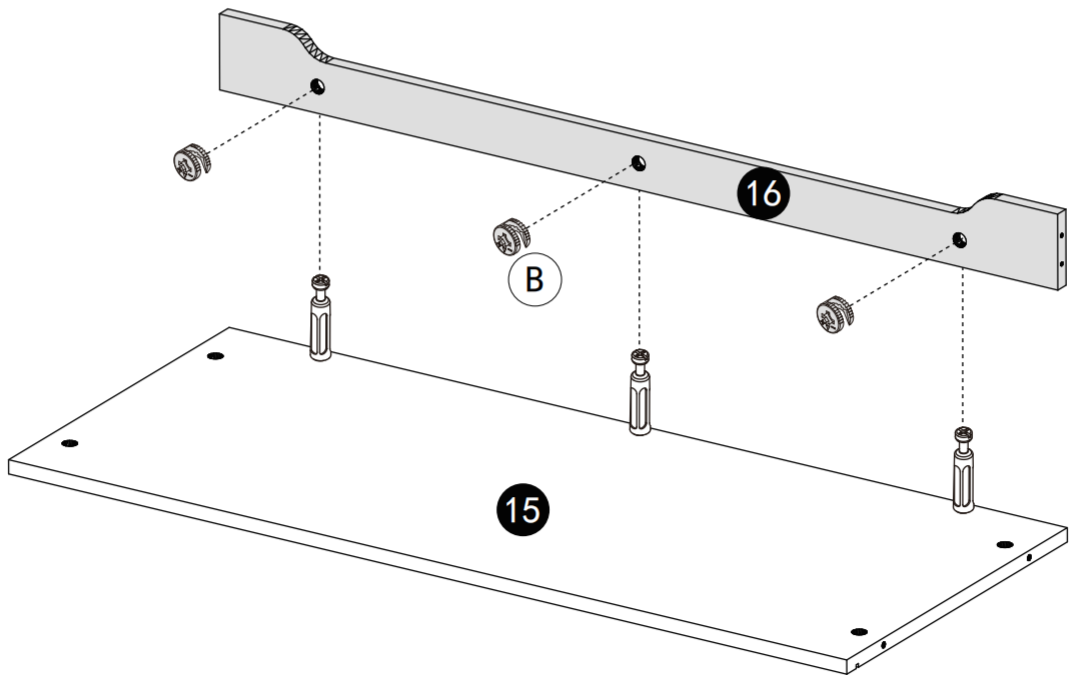
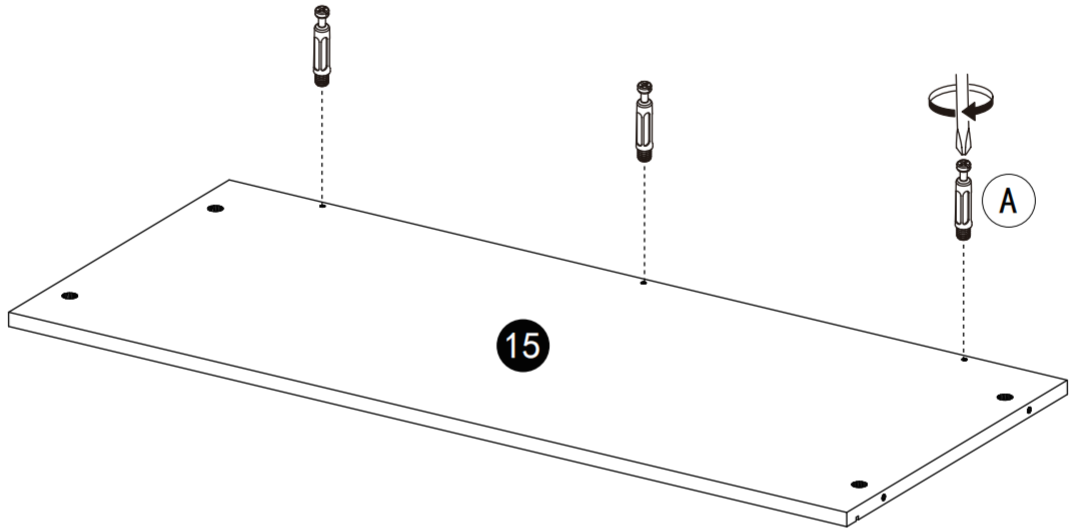
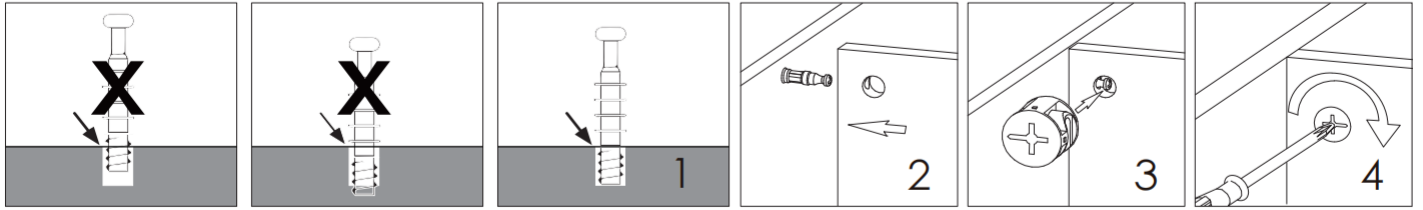
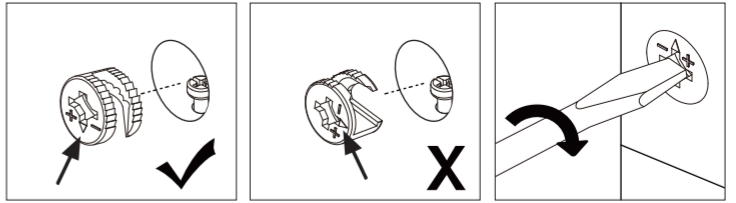
| | | |
|----|---|-----|
| DL |  | x3 |
| DR |  | x3 |
| E |  | x12 |





| | | |
|----|--|-----|
| CL | | x3 |
| CR | | x3 |
| E | | x12 |

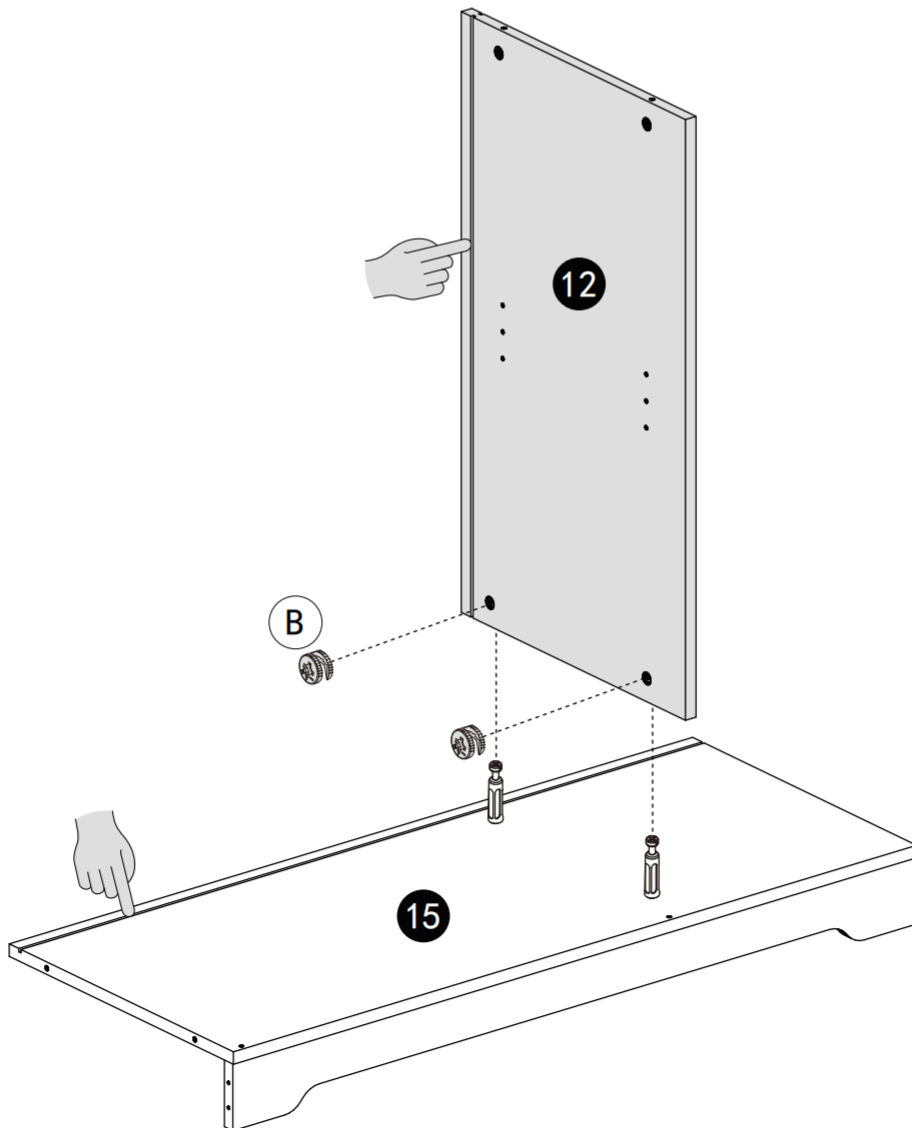
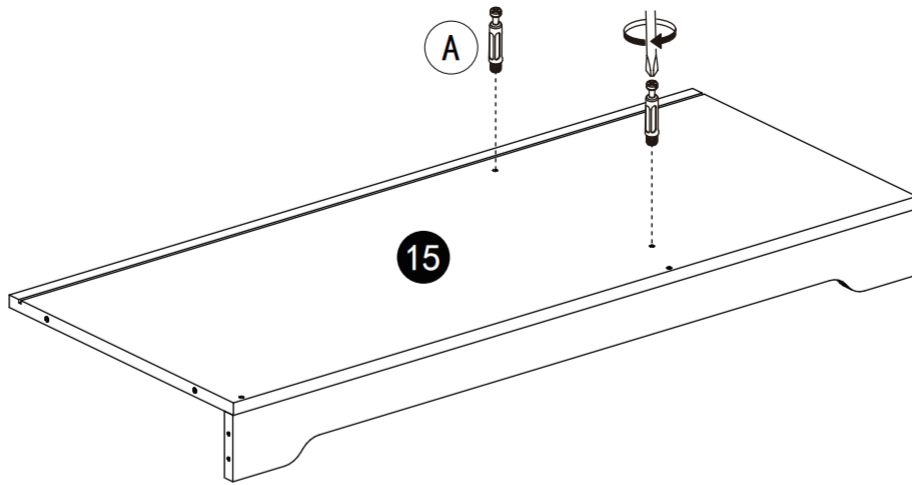
4



Installation method of three in one rod and buckle



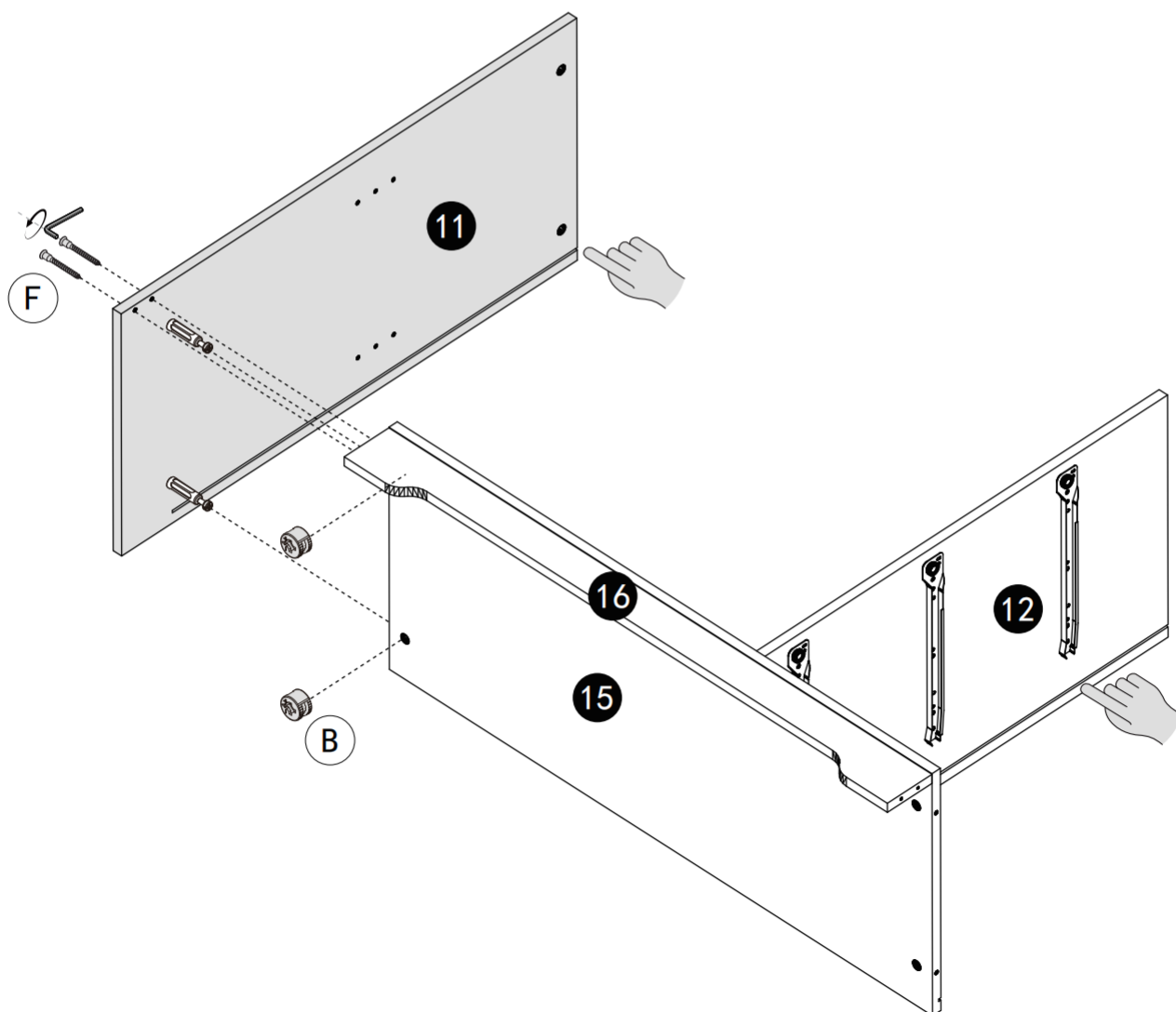
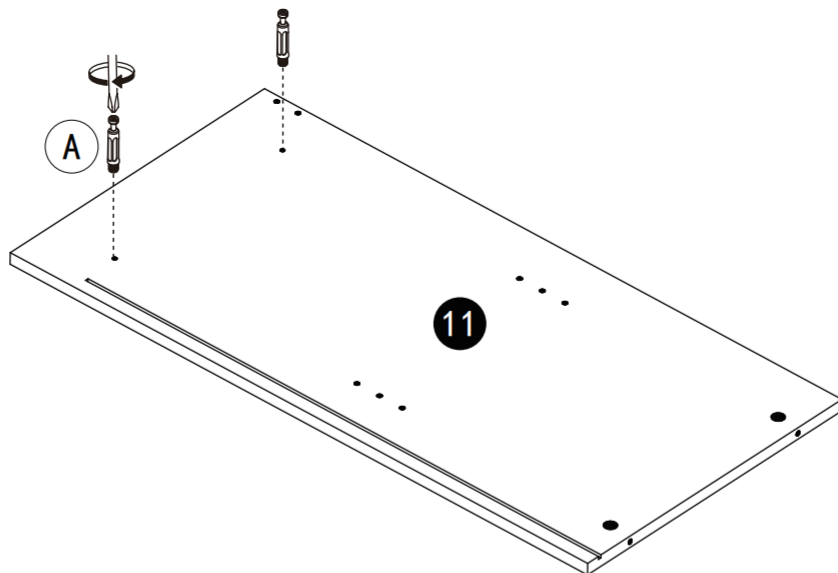
| | | |
|---|---|----|
| A |  | x3 |
| B |  | x3 |




5

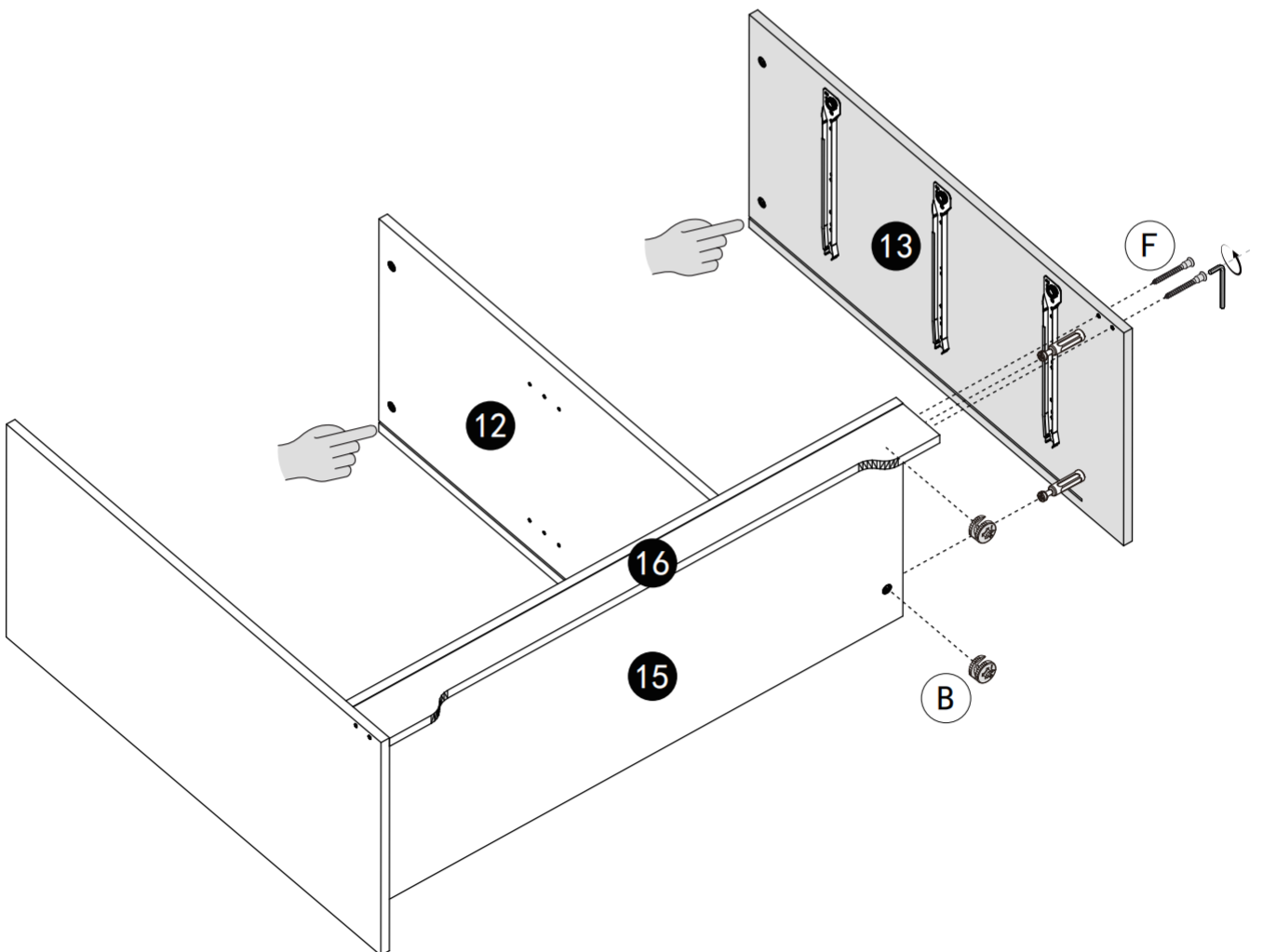
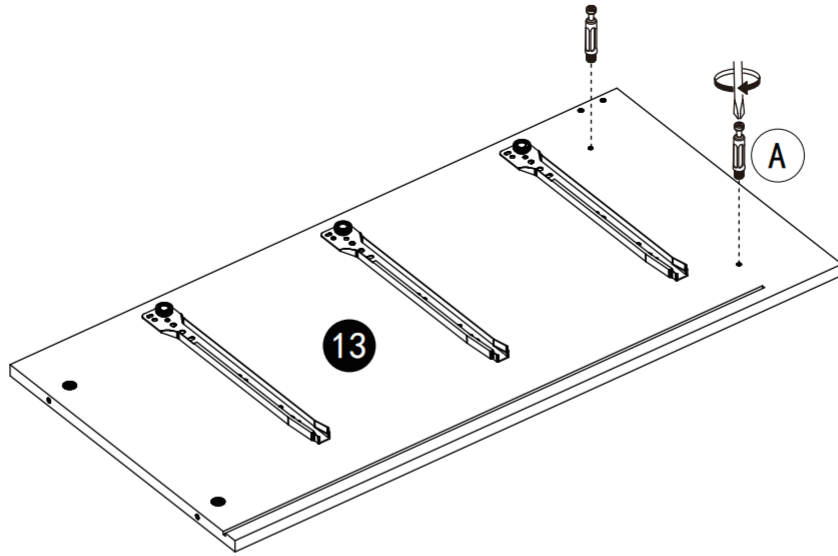





| | | |
|---|---|----|
| A |  | x2 |
| B |  | x2 |

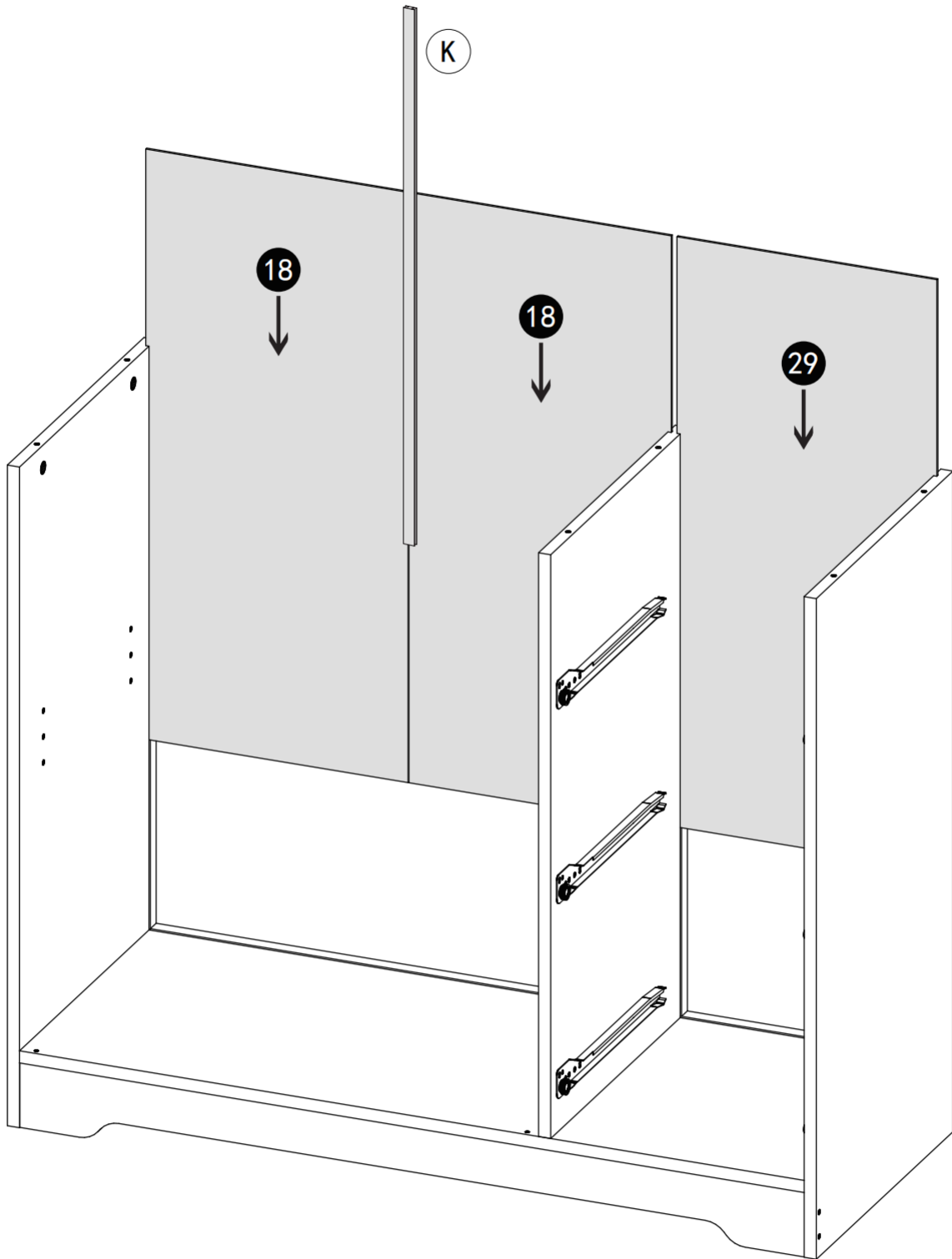
6




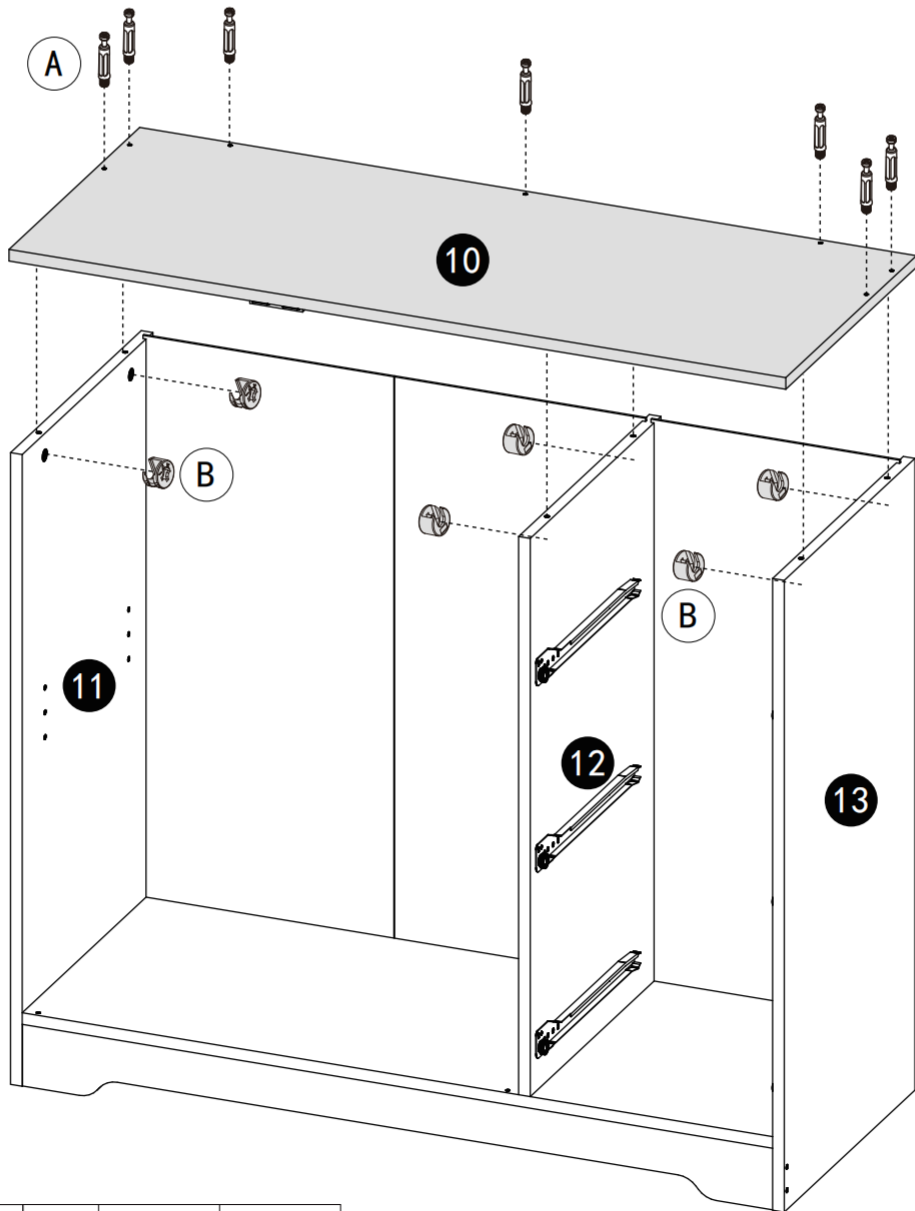
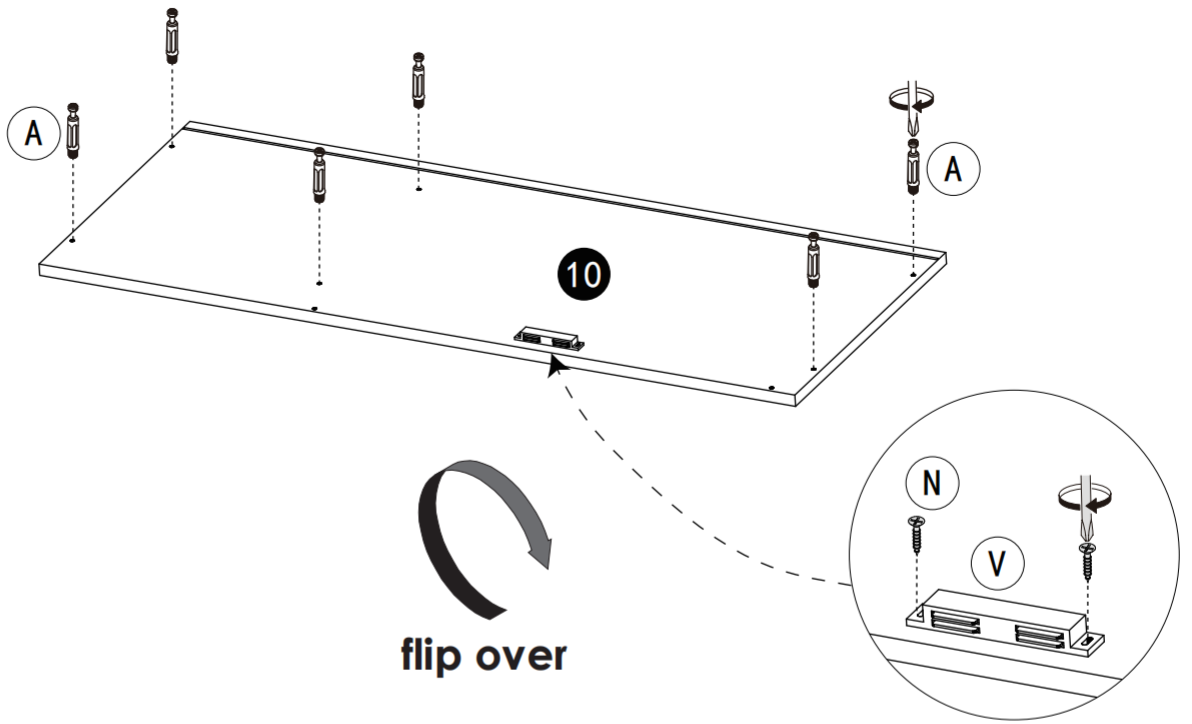
| | | | | | |
|---|---|----|---|---|----|
| A |  | x2 | | | |
| B |  | x2 | F |  | x2 |



| | | |
|---|---|----|
| A |  | x2 |
| F |  | x2 |
| B |  | x2 |

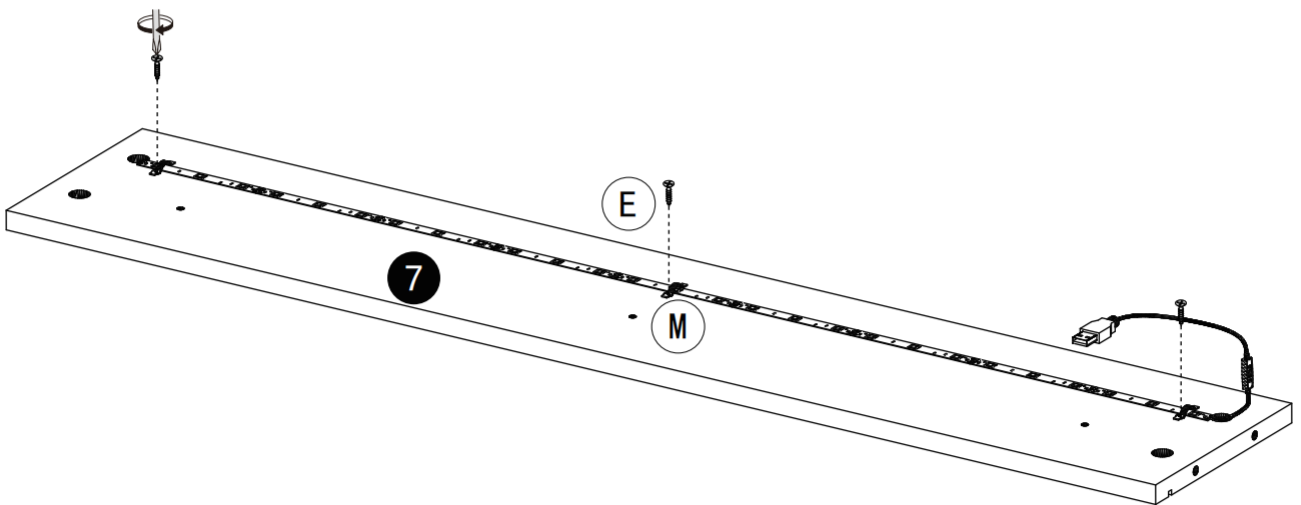
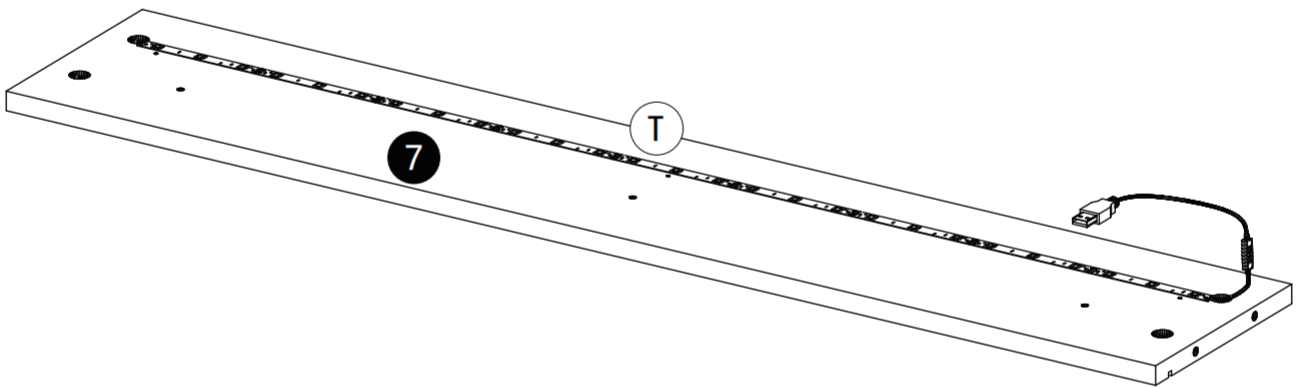
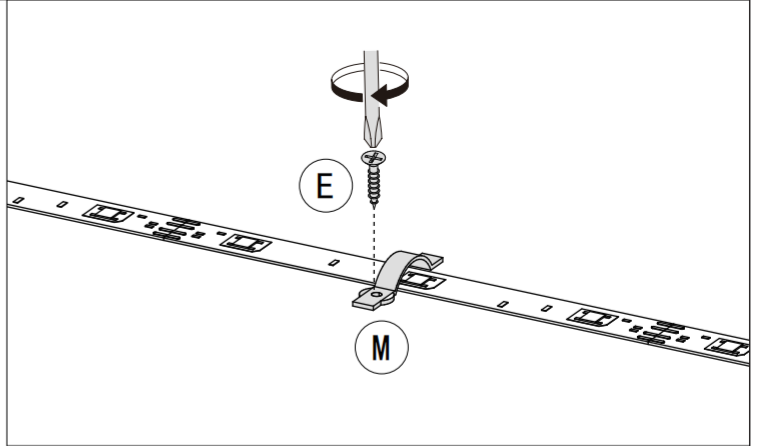
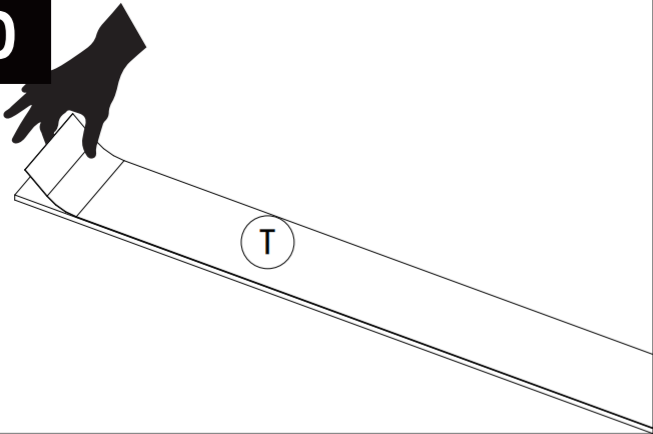





| | | |
|---|---|----|
| K |  | x1 |
|---|---|----|

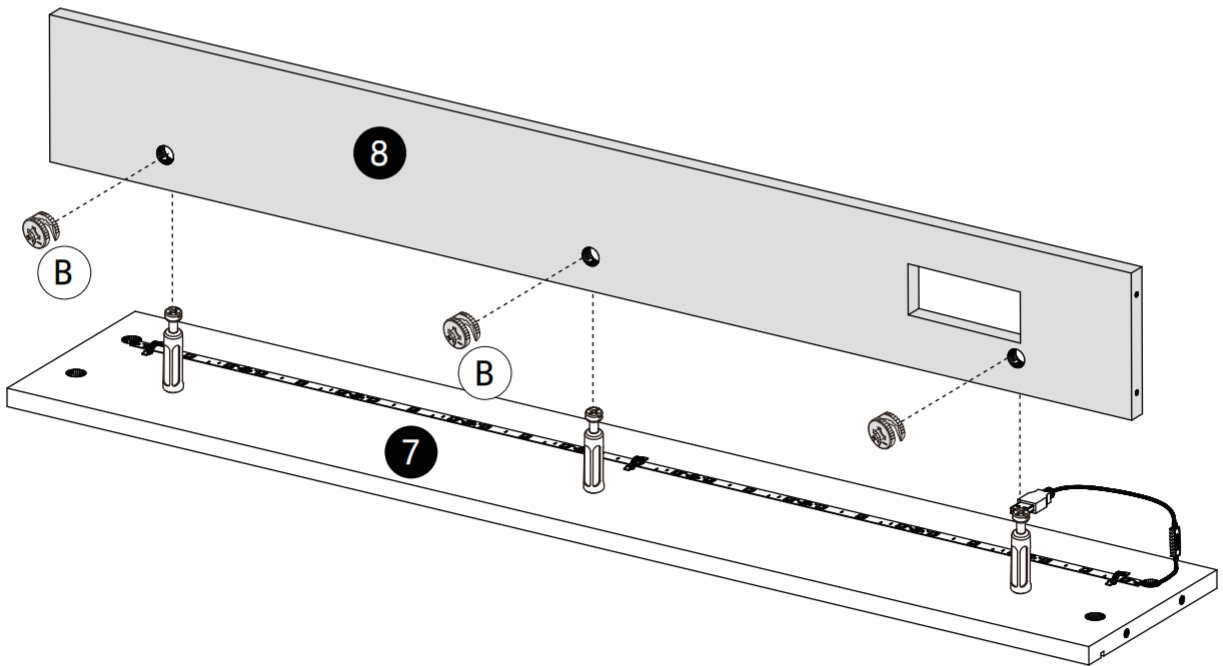
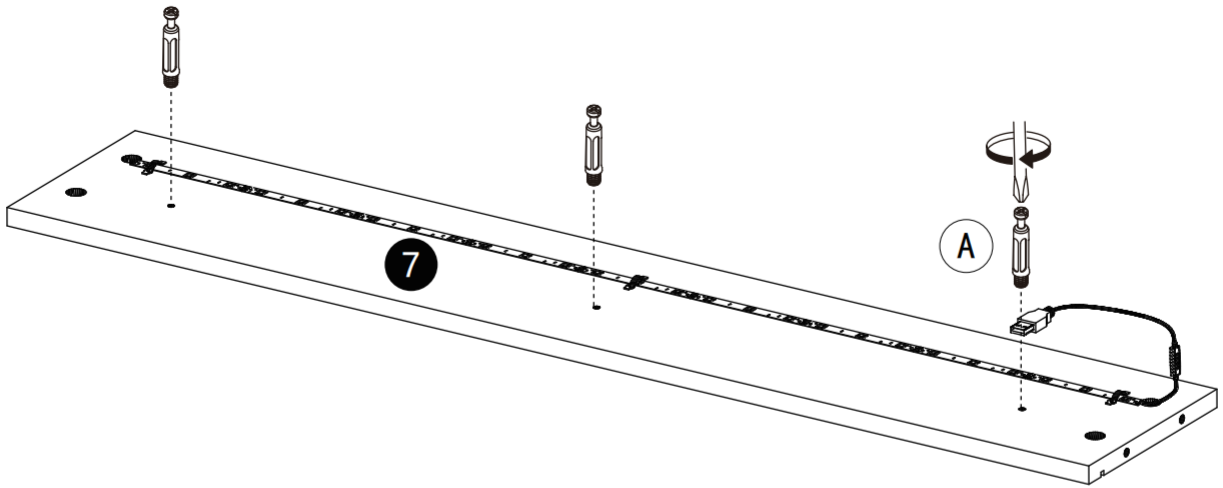




| | | | | | |
|---|--|-----|---|--|----|
| A | | x13 | V | | x1 |
| B | | x6 | N | | x2 |

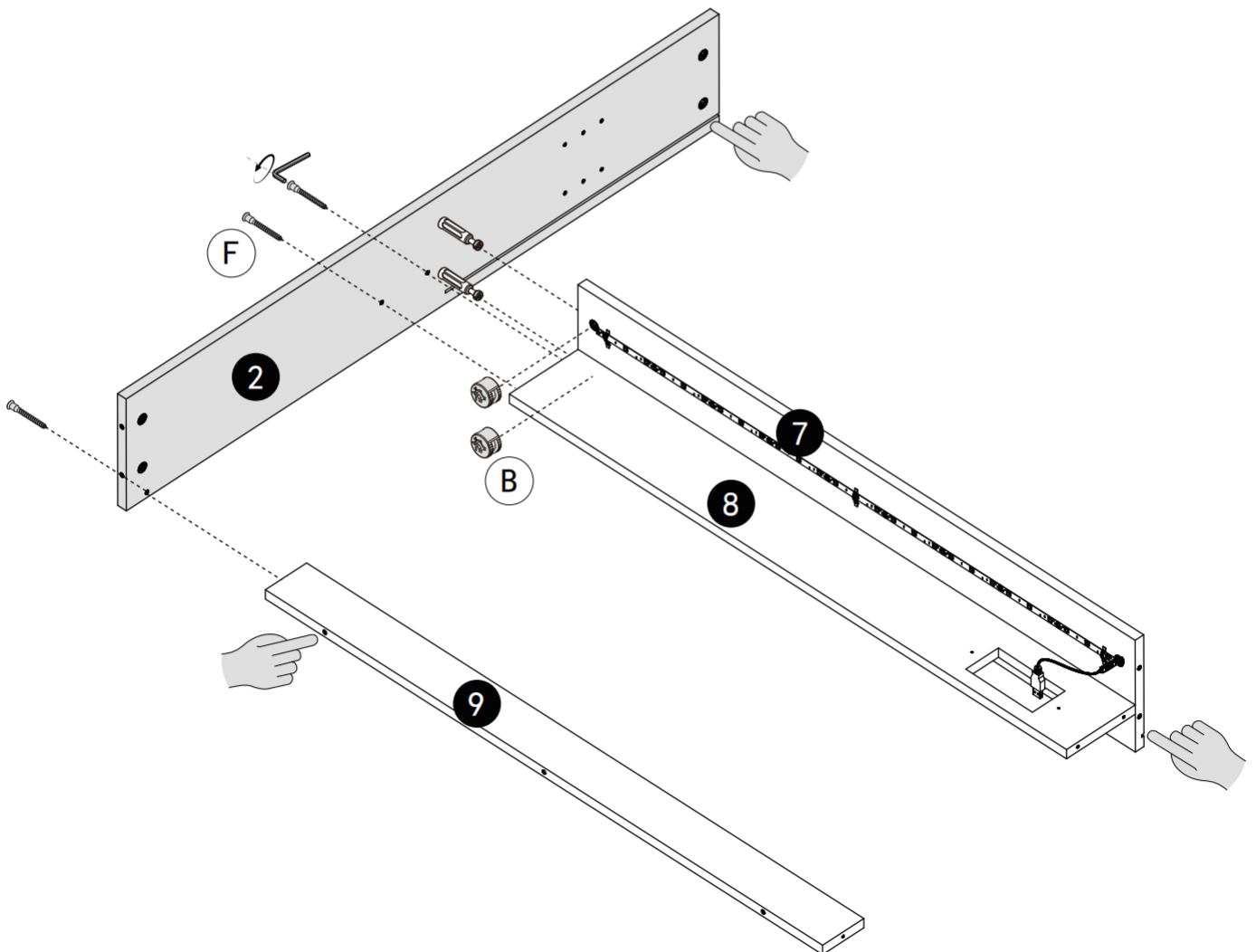
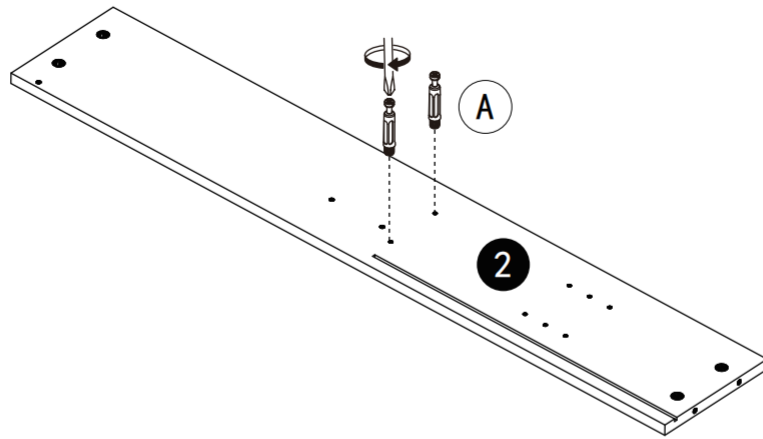
10






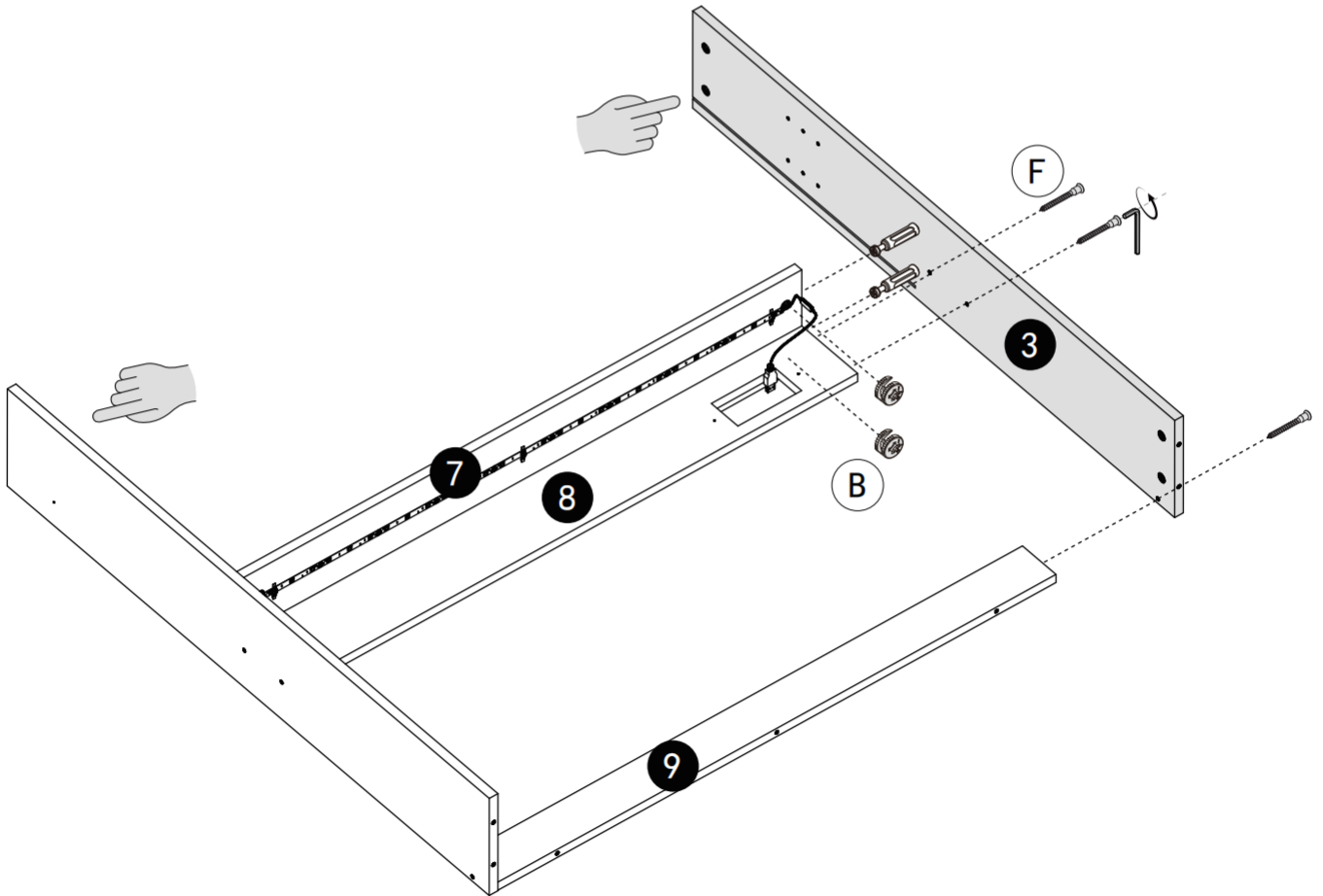
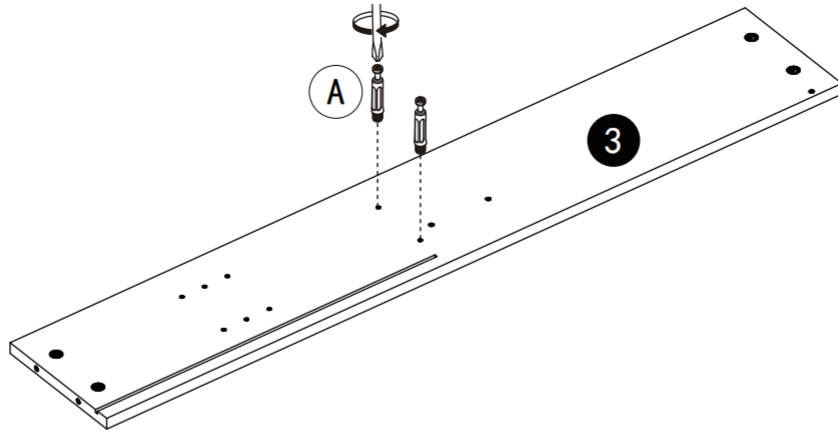
| | | | | | |
|---|---|----|---|---|----|
| E |  | x3 | | | |
| M |  | x3 | T |  | x1 |




| | | |
|---|---|----|
| A |  | x3 |
| B |  | x3 |

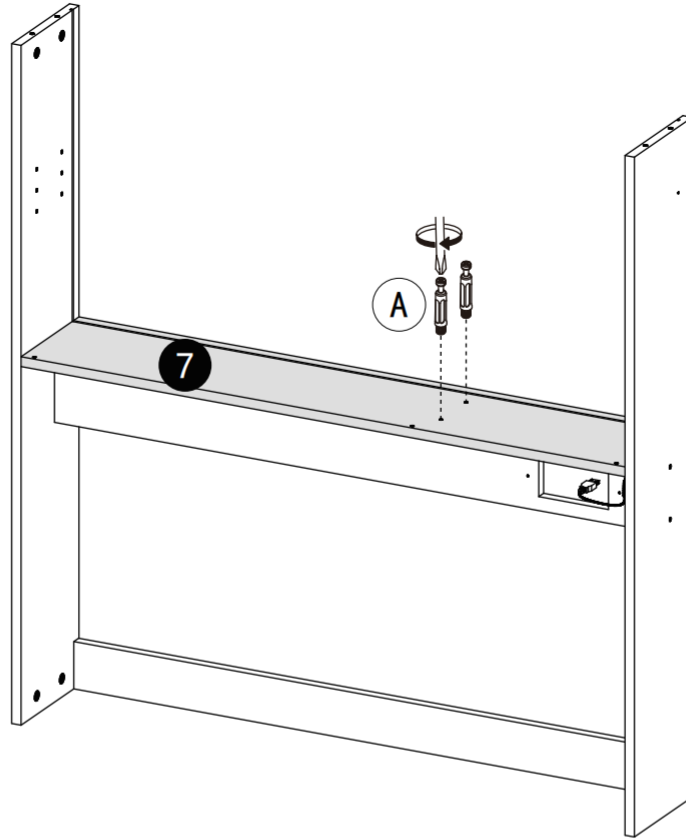


| | | | | | |
|---|---|----|---|---|----|
| A |  | x2 | | | |
| B |  | x2 | F |  | x3 |

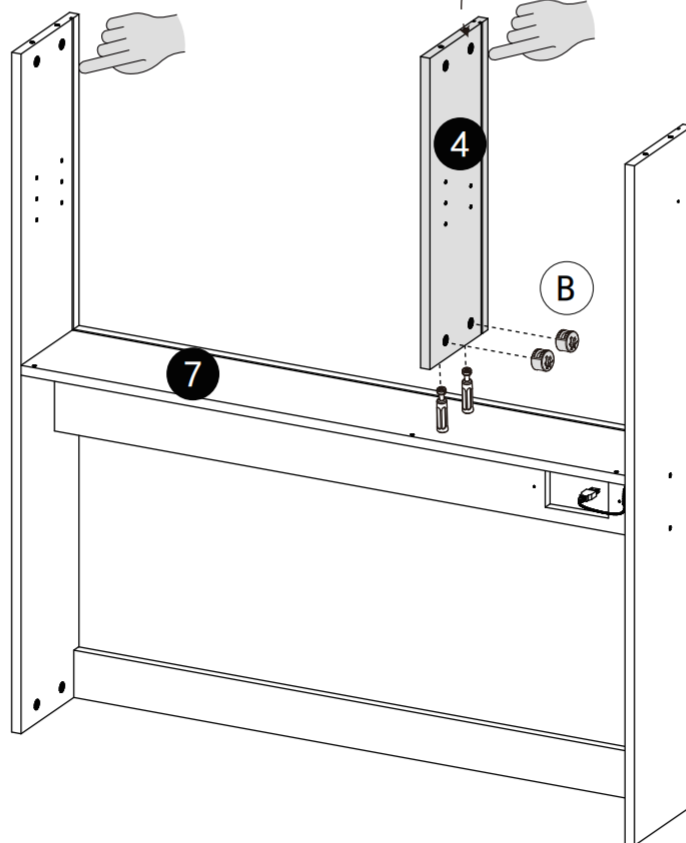




| | | |
|---|---|----|
| A |  | x2 |
|---|---|----|

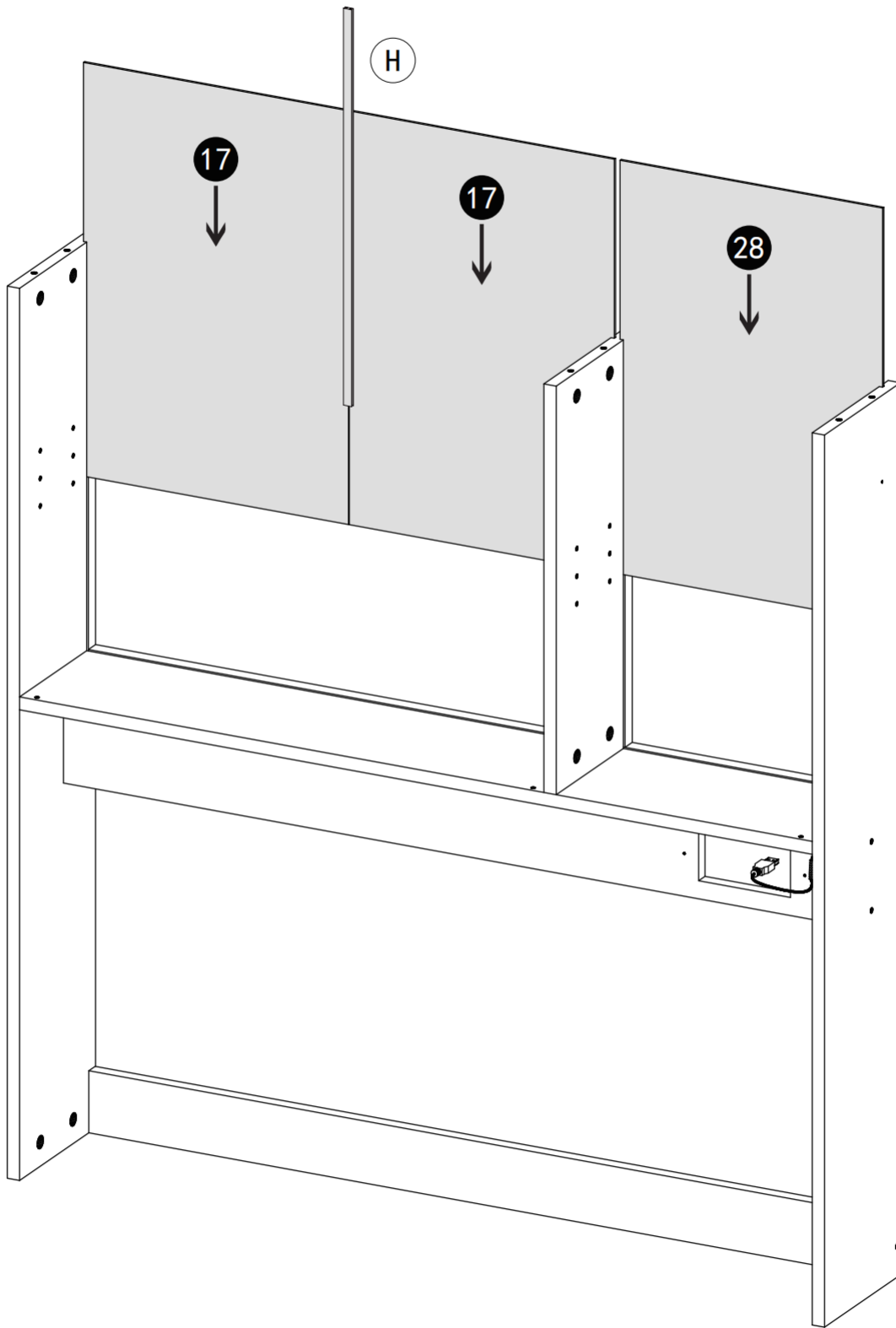
| | | | | | |
|---|---|----|---|---|----|
| B |  | x2 | F |  | x3 |
|---|---|----|---|---|----|




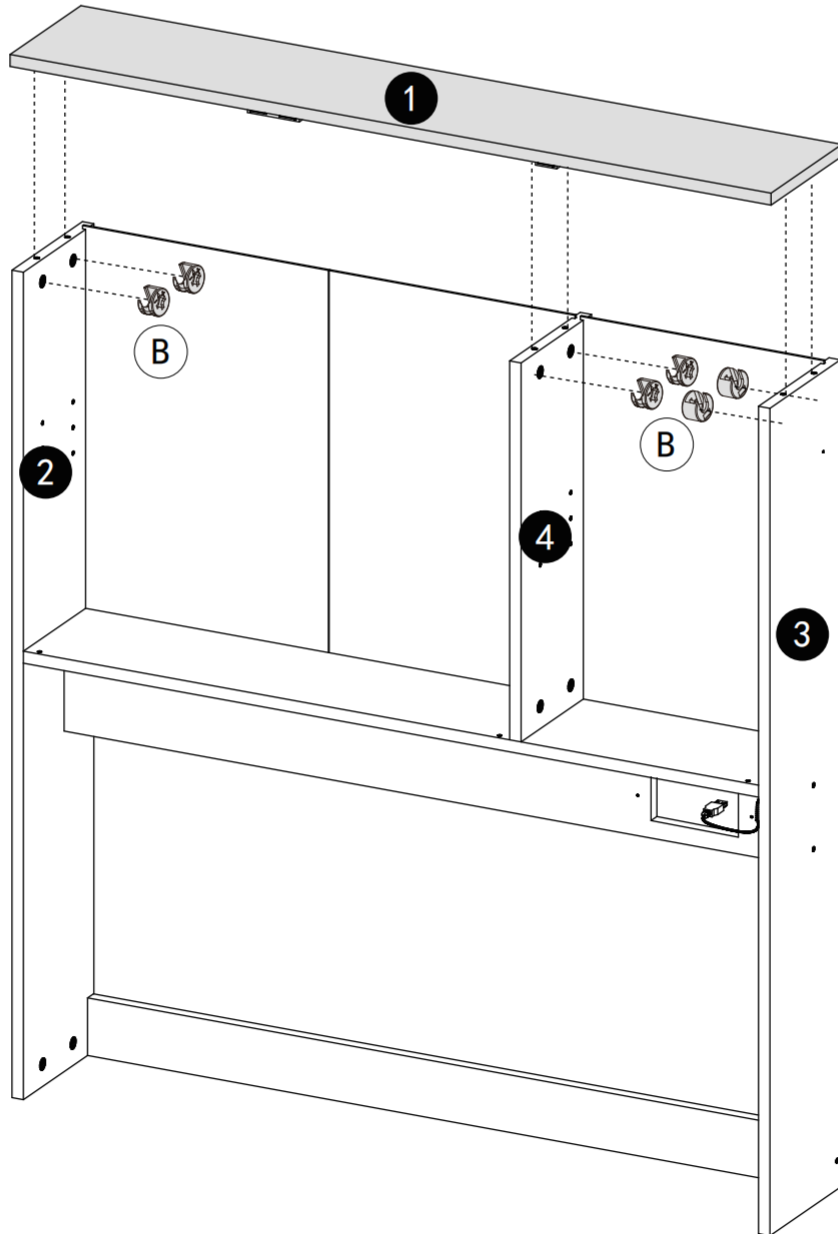
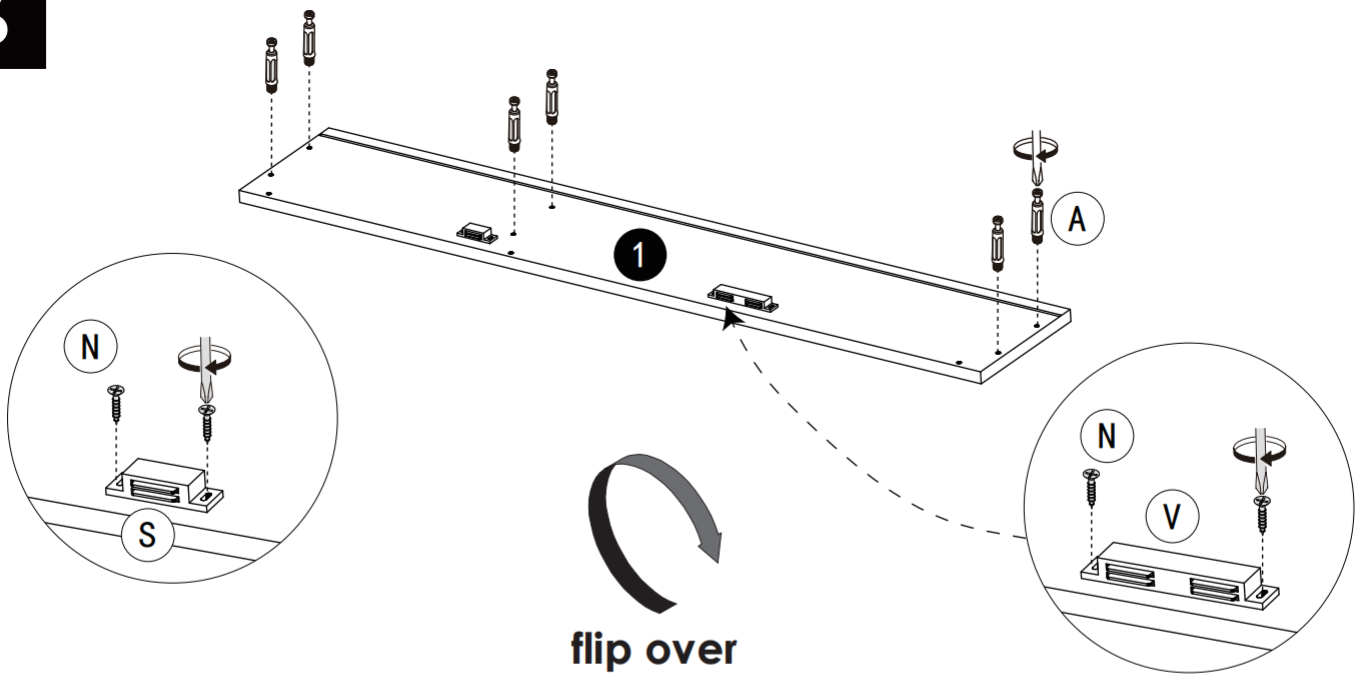
This hole faces to the right.



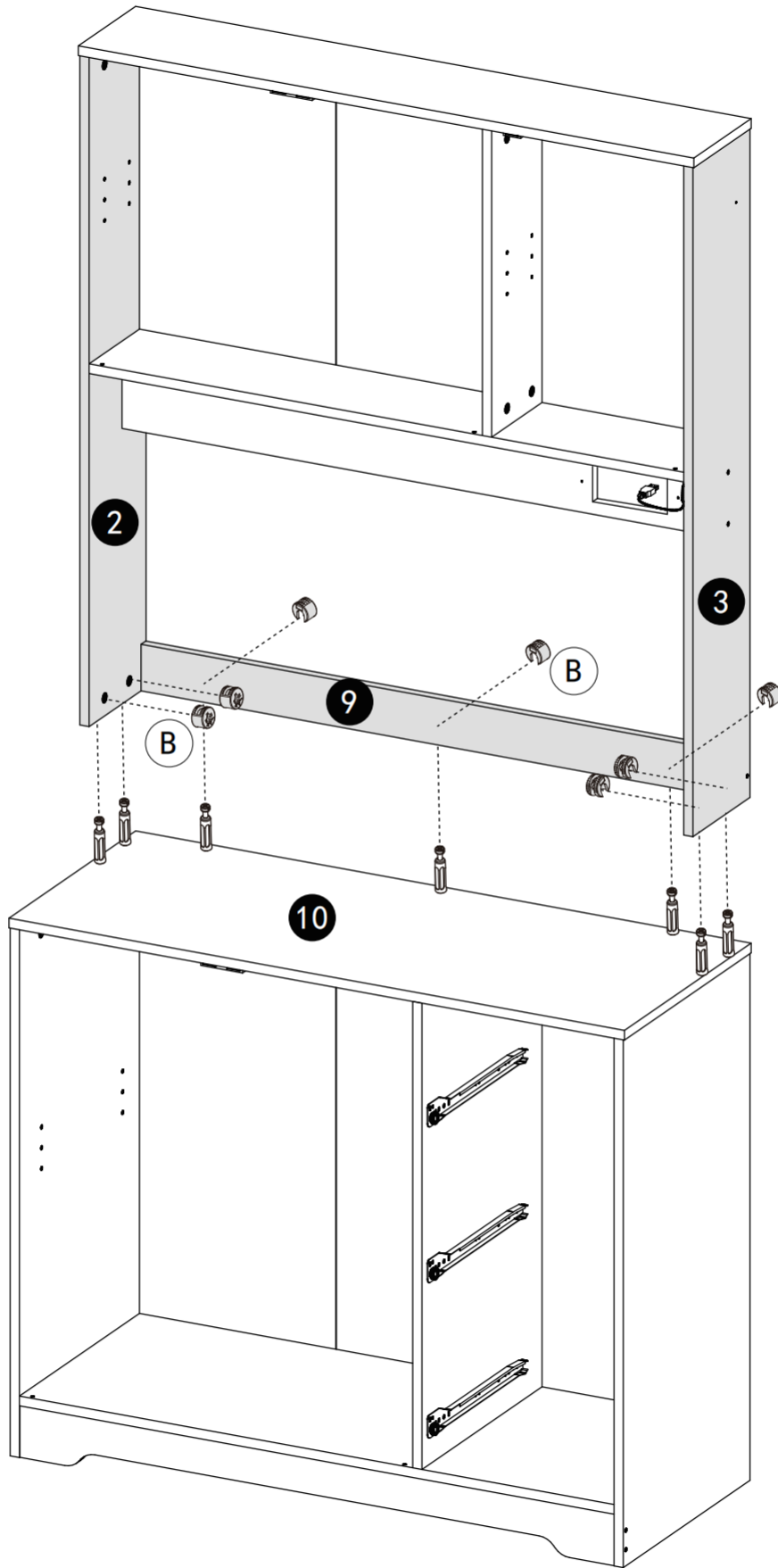
| | | |
|---|---|----|
| A |  | x2 |
| B |  | x2 |



| | | |
|---|---|----|
| H |  | x1 |
|---|---|----|



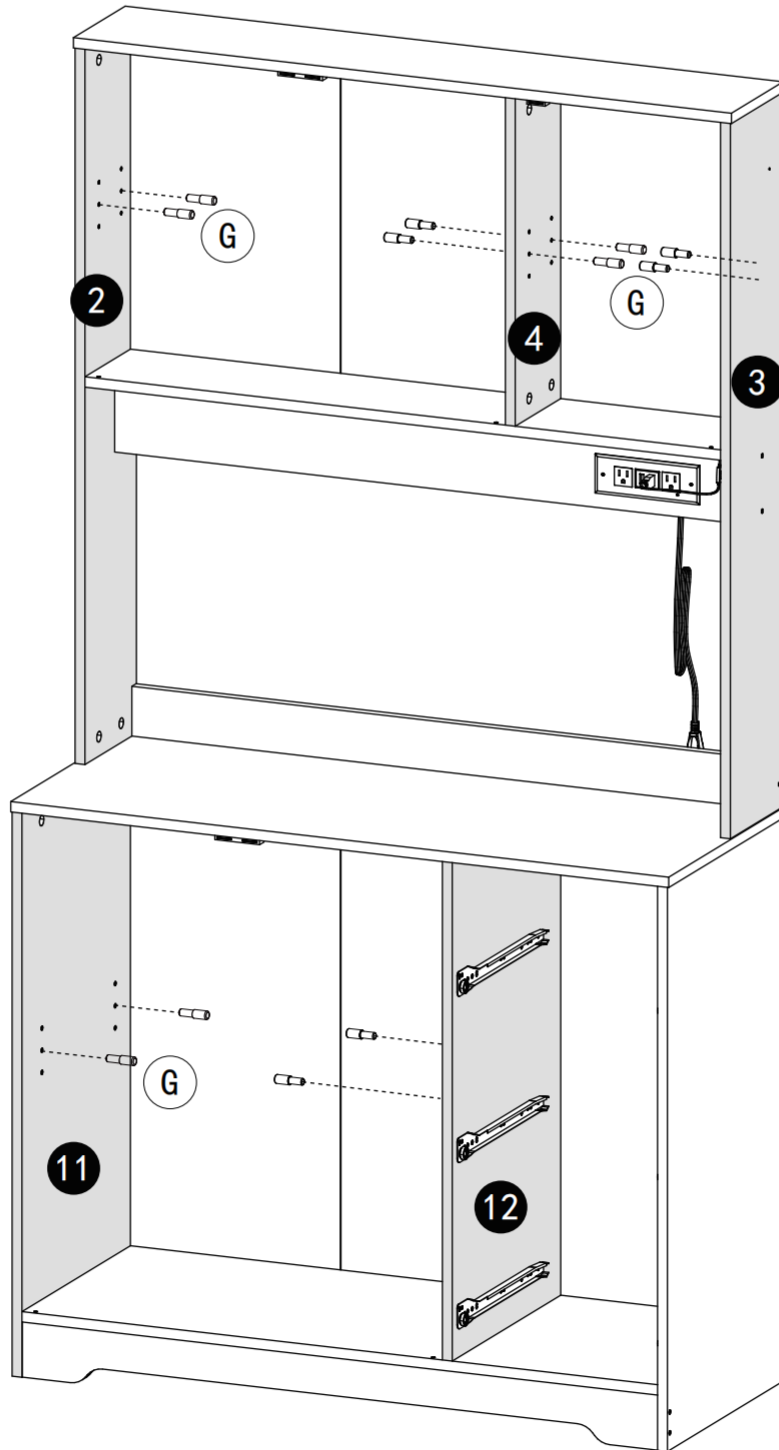
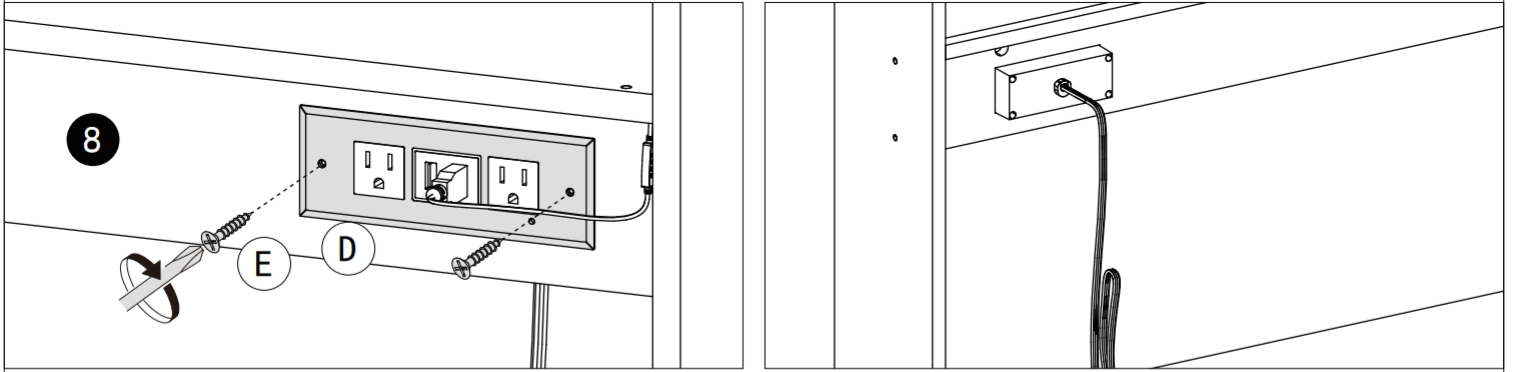
| | | | | | |
|---|--|----|---|--|----|
| A | | x6 | V | | x1 |
| B | | x6 | N | | x4 |
| | | | S | | x1 |






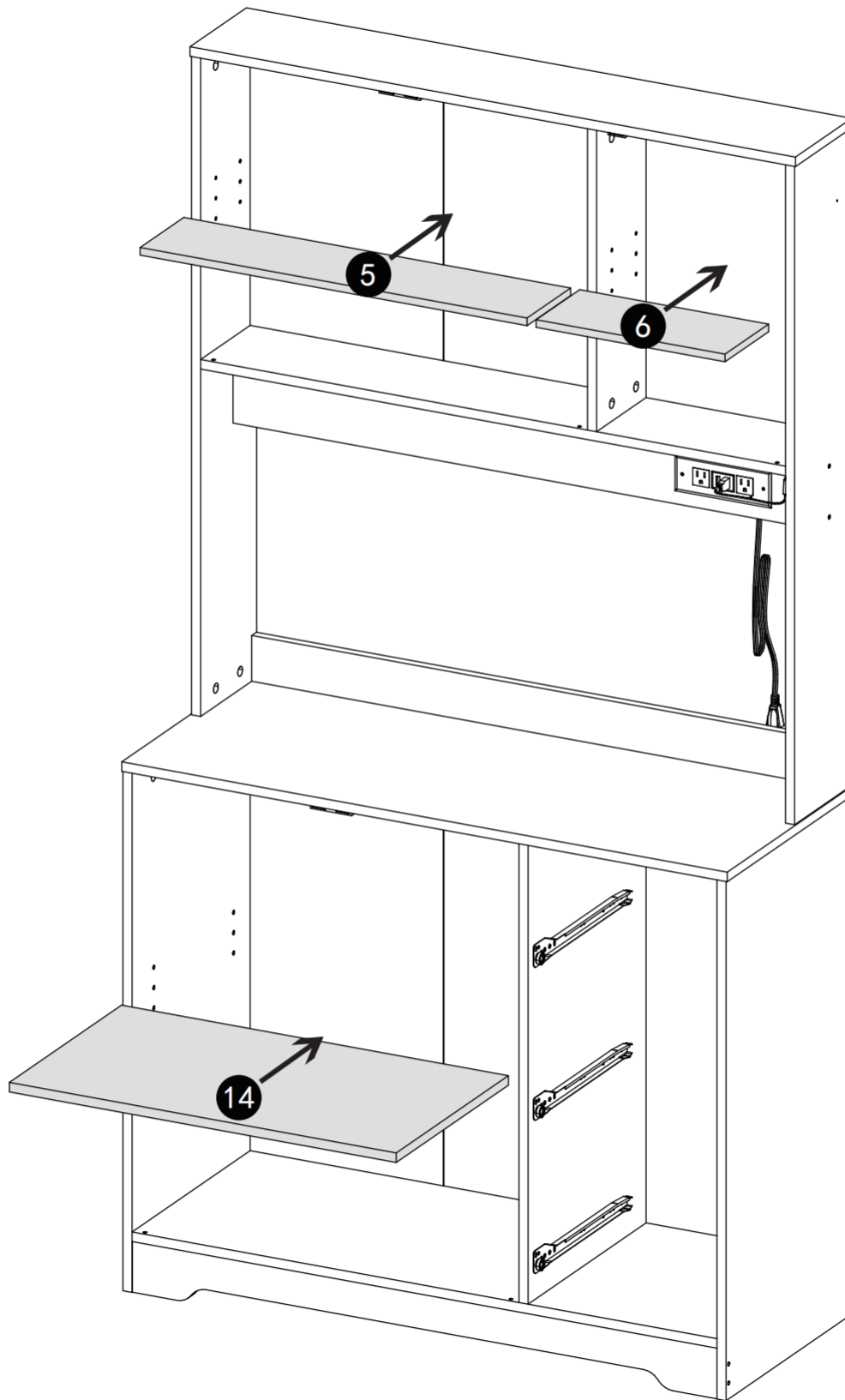
B

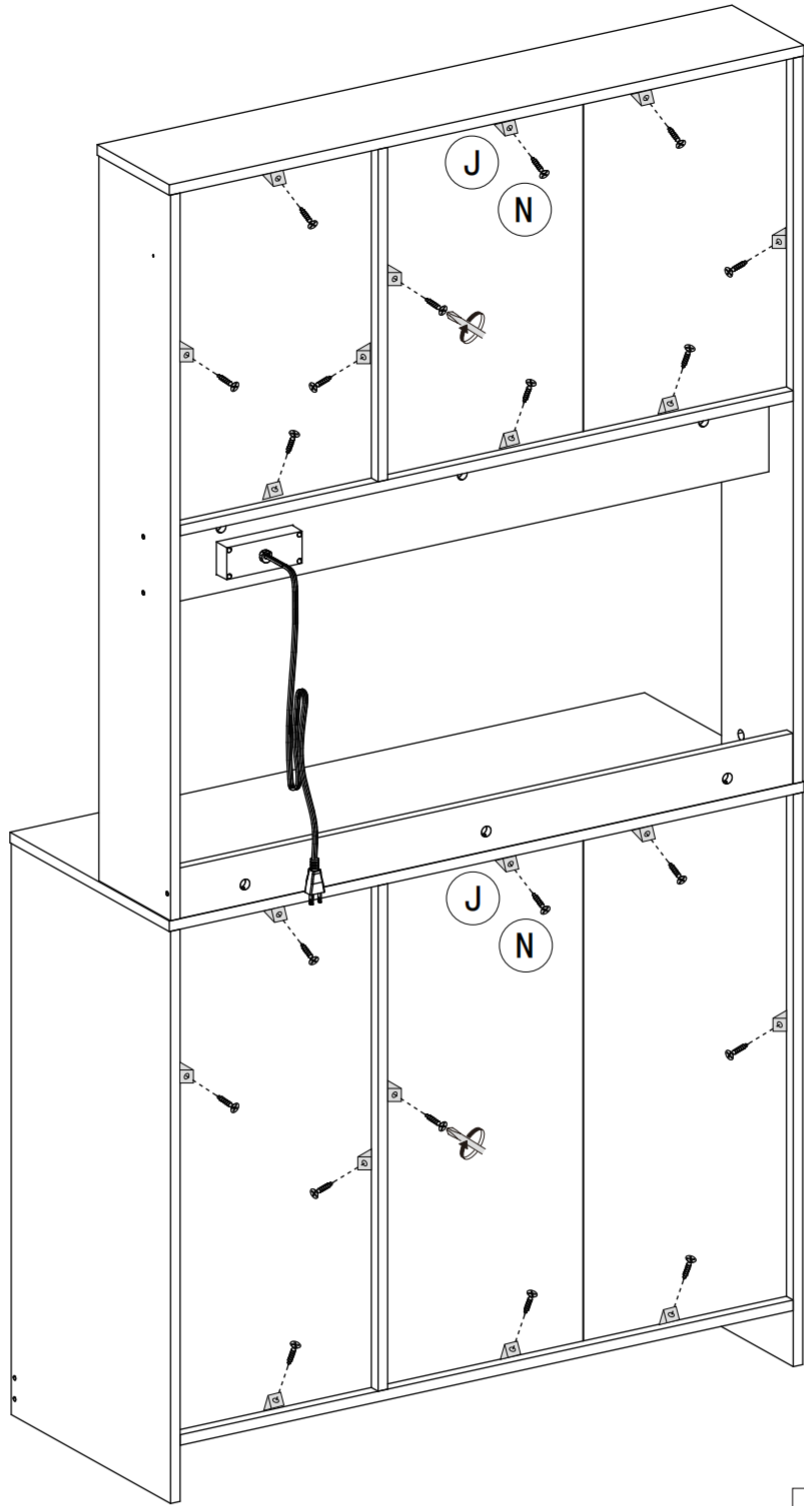



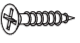
x7

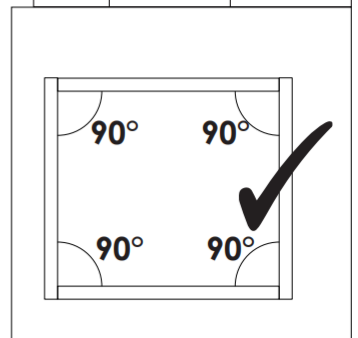
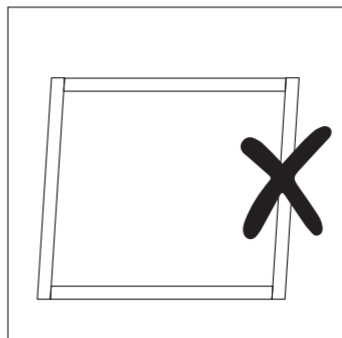
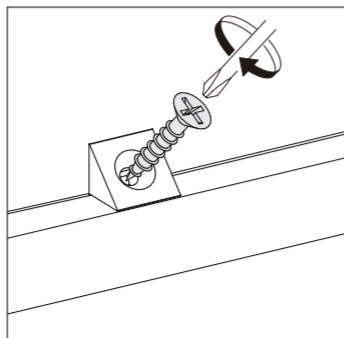
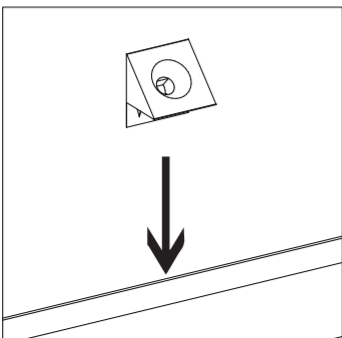


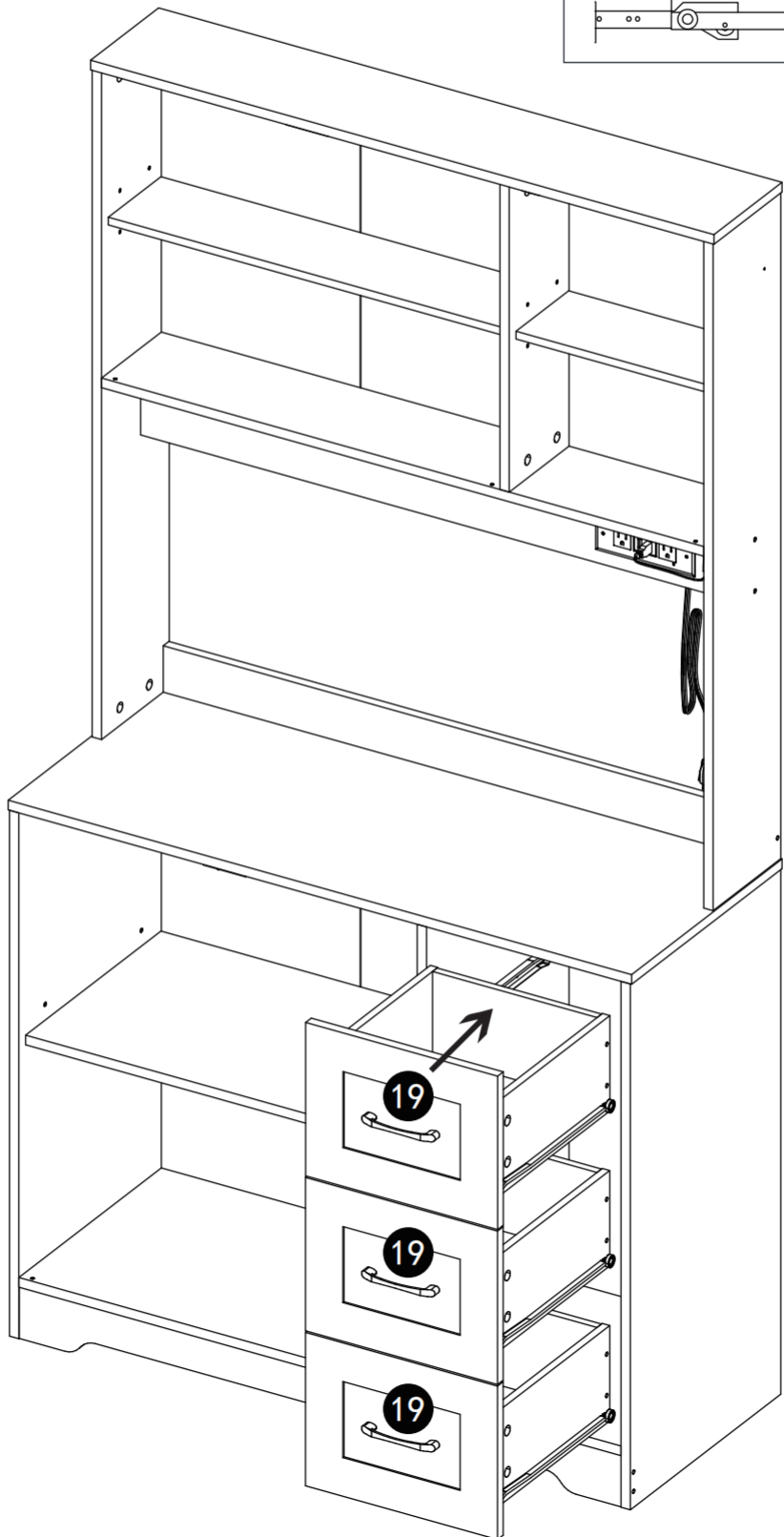
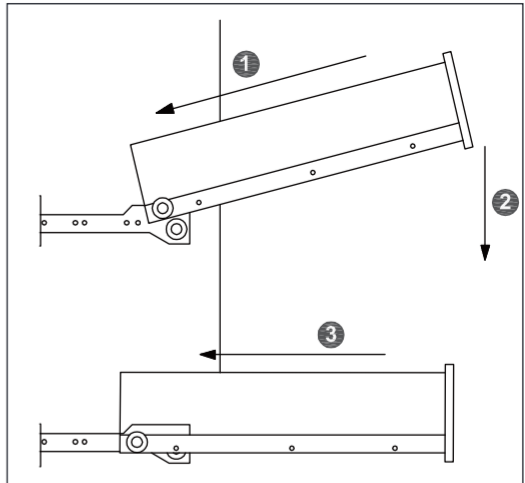
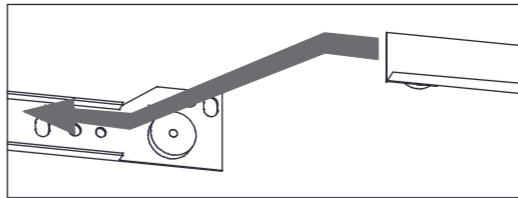
| | | | | | |
|---|---|----|---|---|-----|
| E |  | x2 | | | |
| D |  | x1 | G |  | x12 |

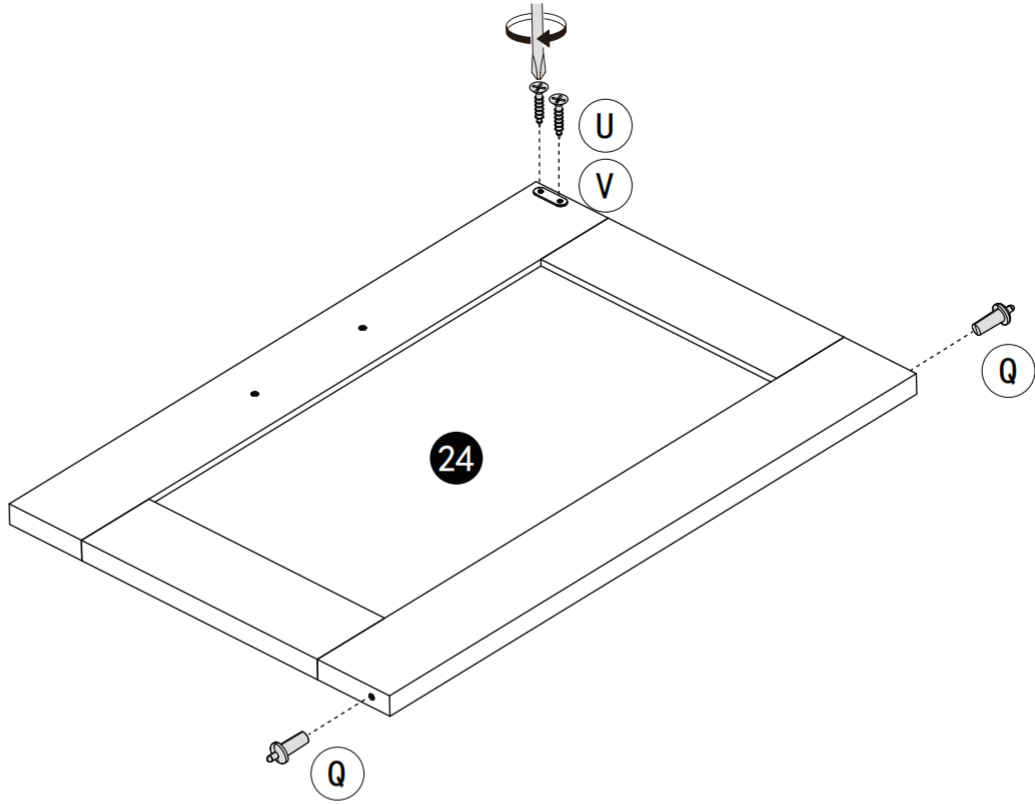




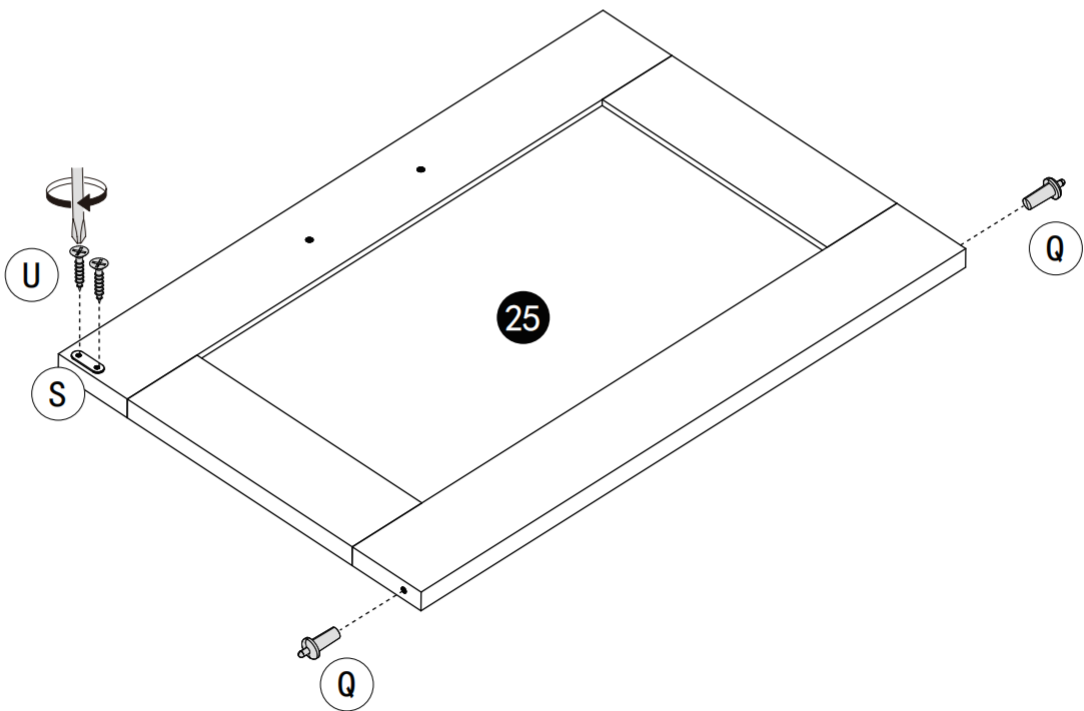
| | | |
|---|---|-----|
| J |  | x20 |
| N |  | x20 |



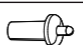



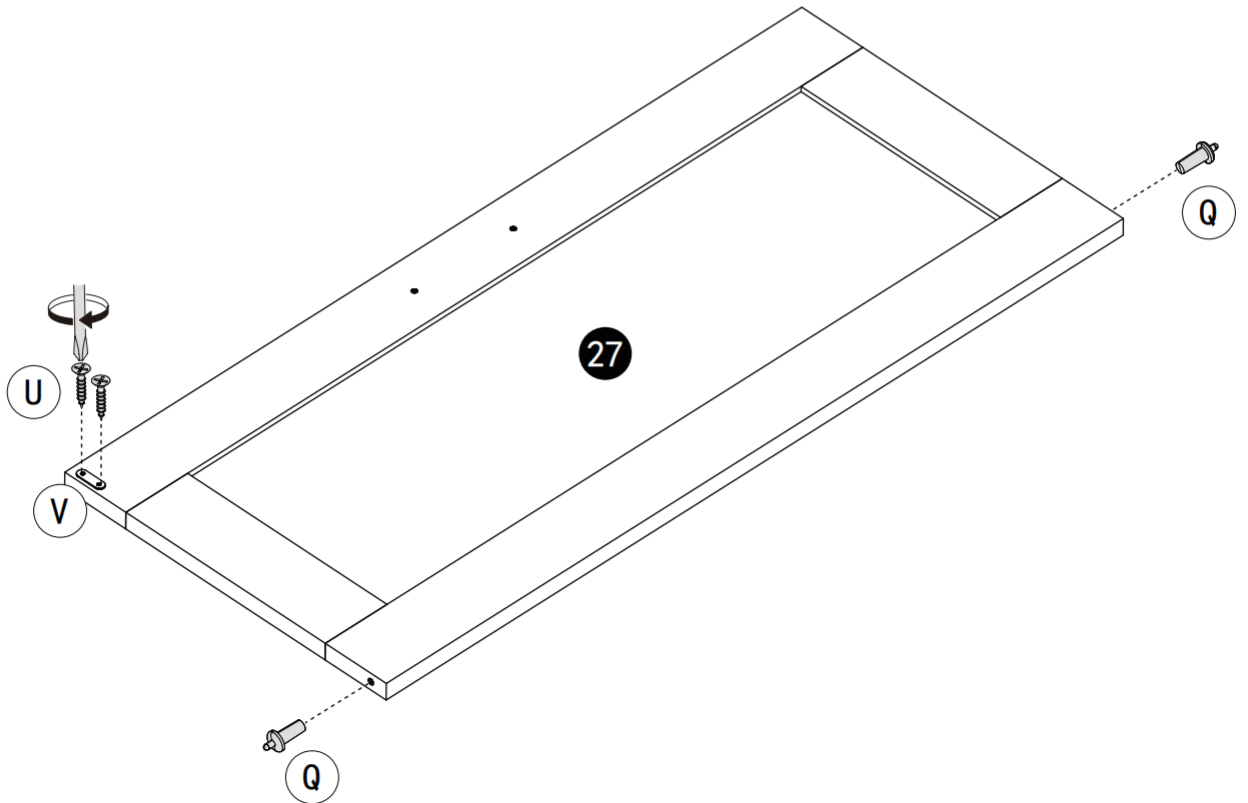
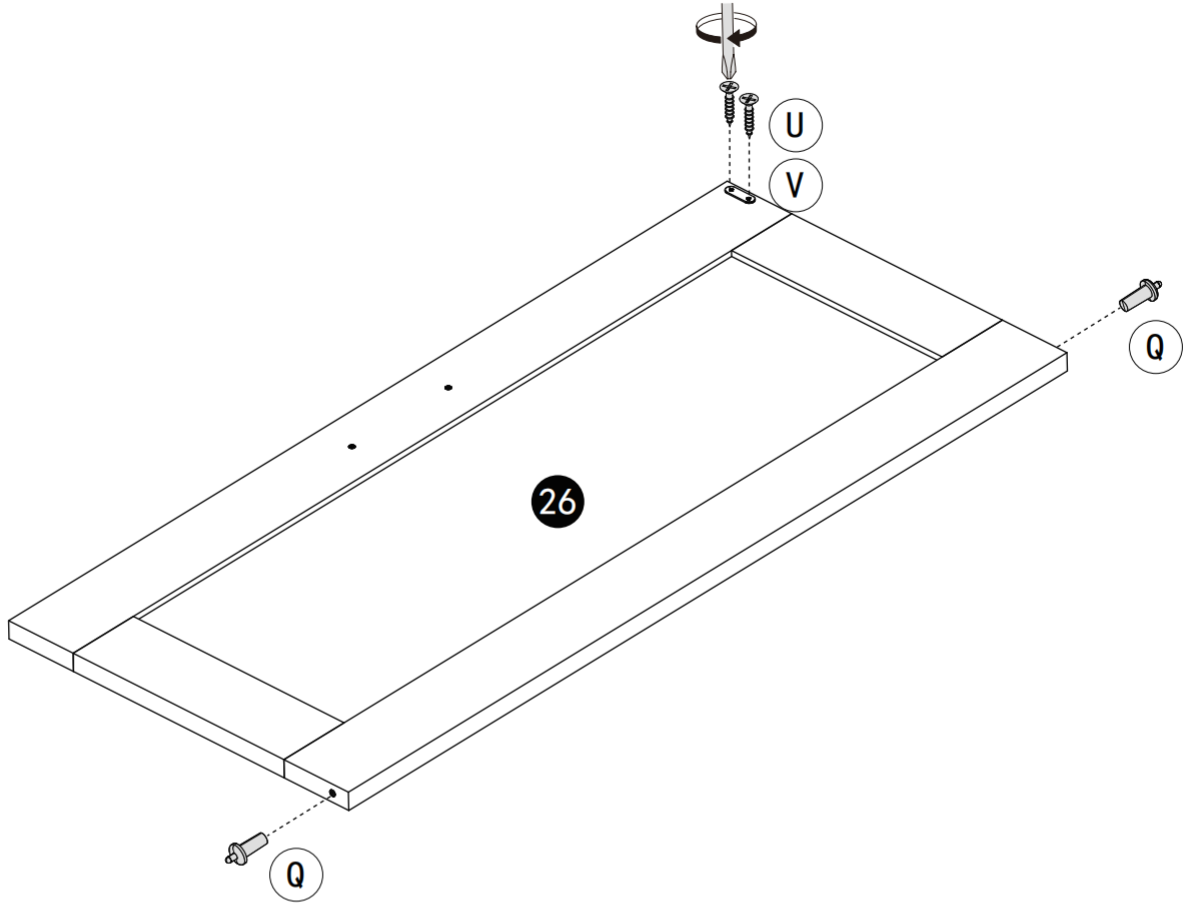



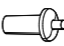



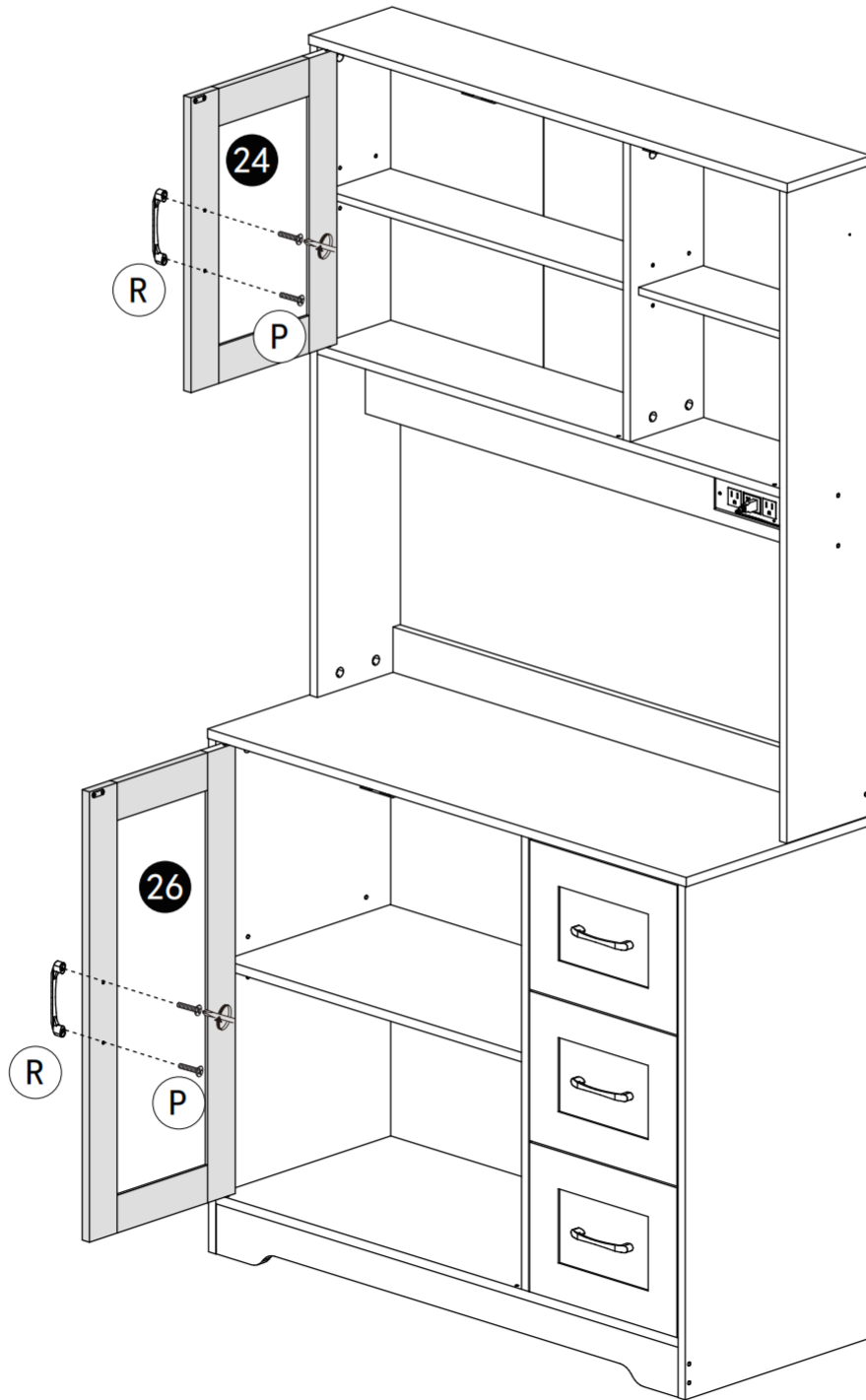
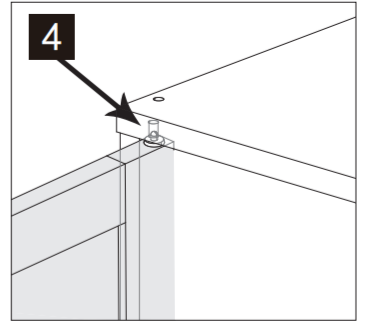
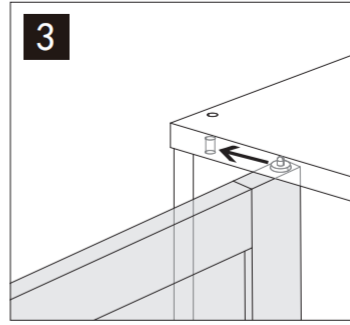
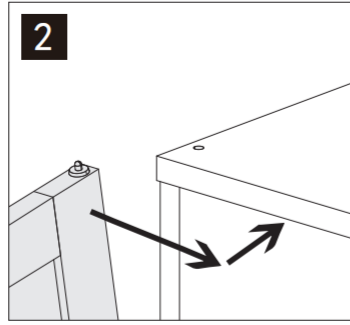
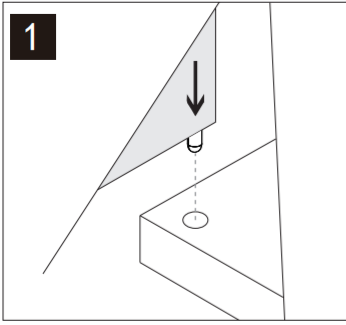
X2





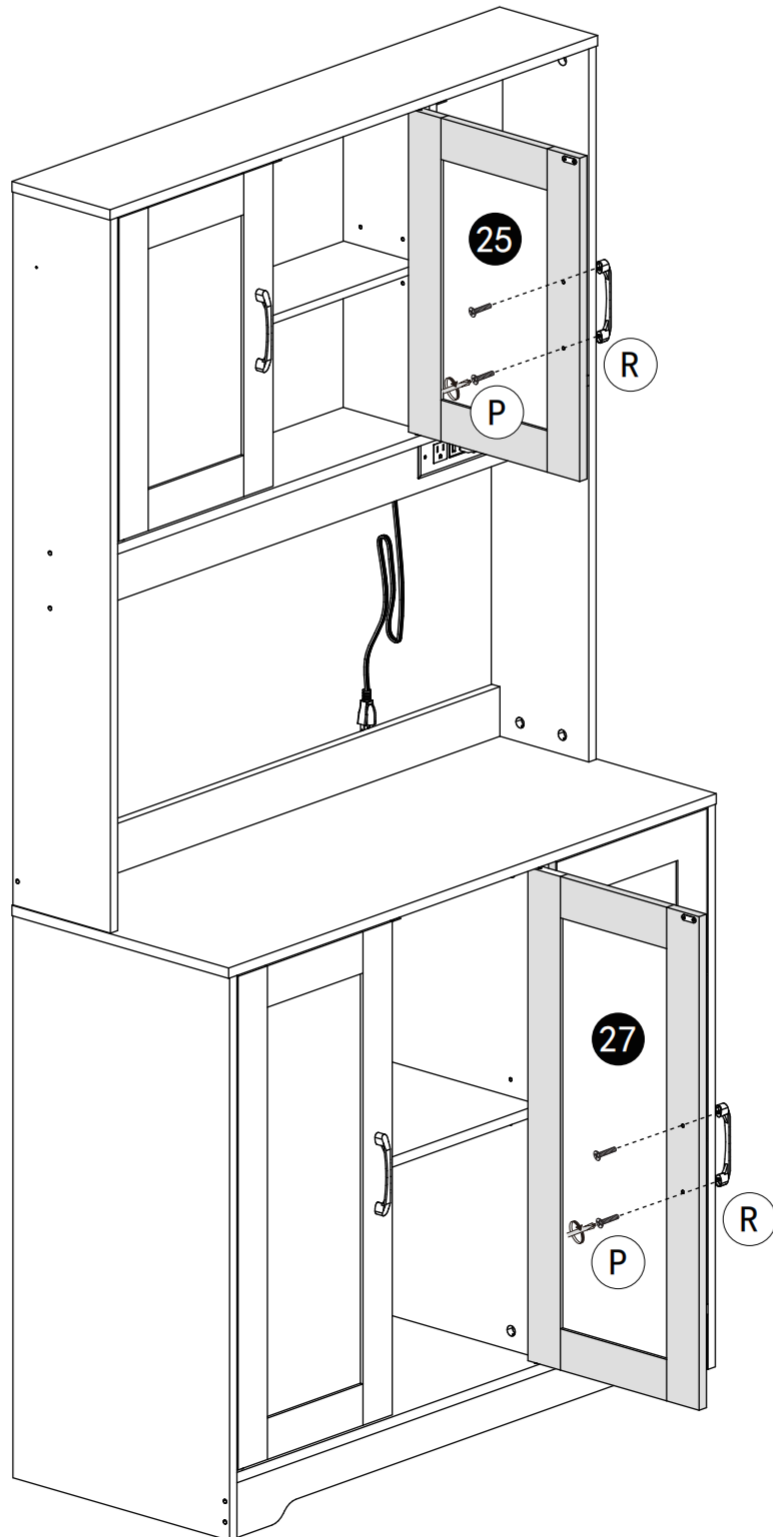
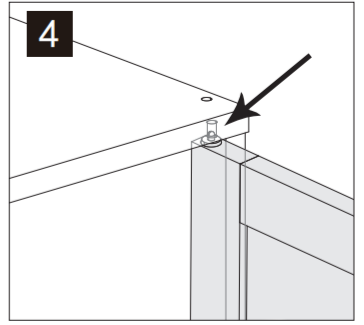
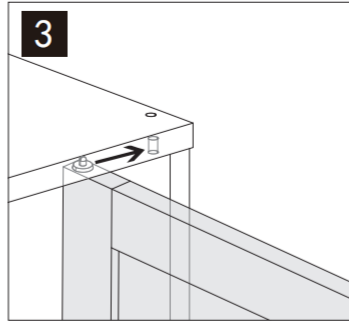
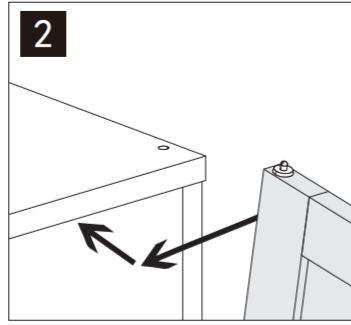
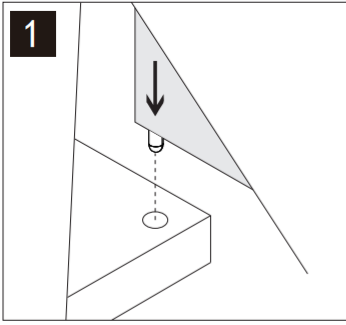
| | | | | | |
|---|---|----|---|---|----|
| S |  | | V |  | |
| Q |  | x6 | U |  | x6 |





| | | | | | |
|---|---|----|---|---|----|
| | | | V |  | |
| Q |  | x4 | U |  | x4 |

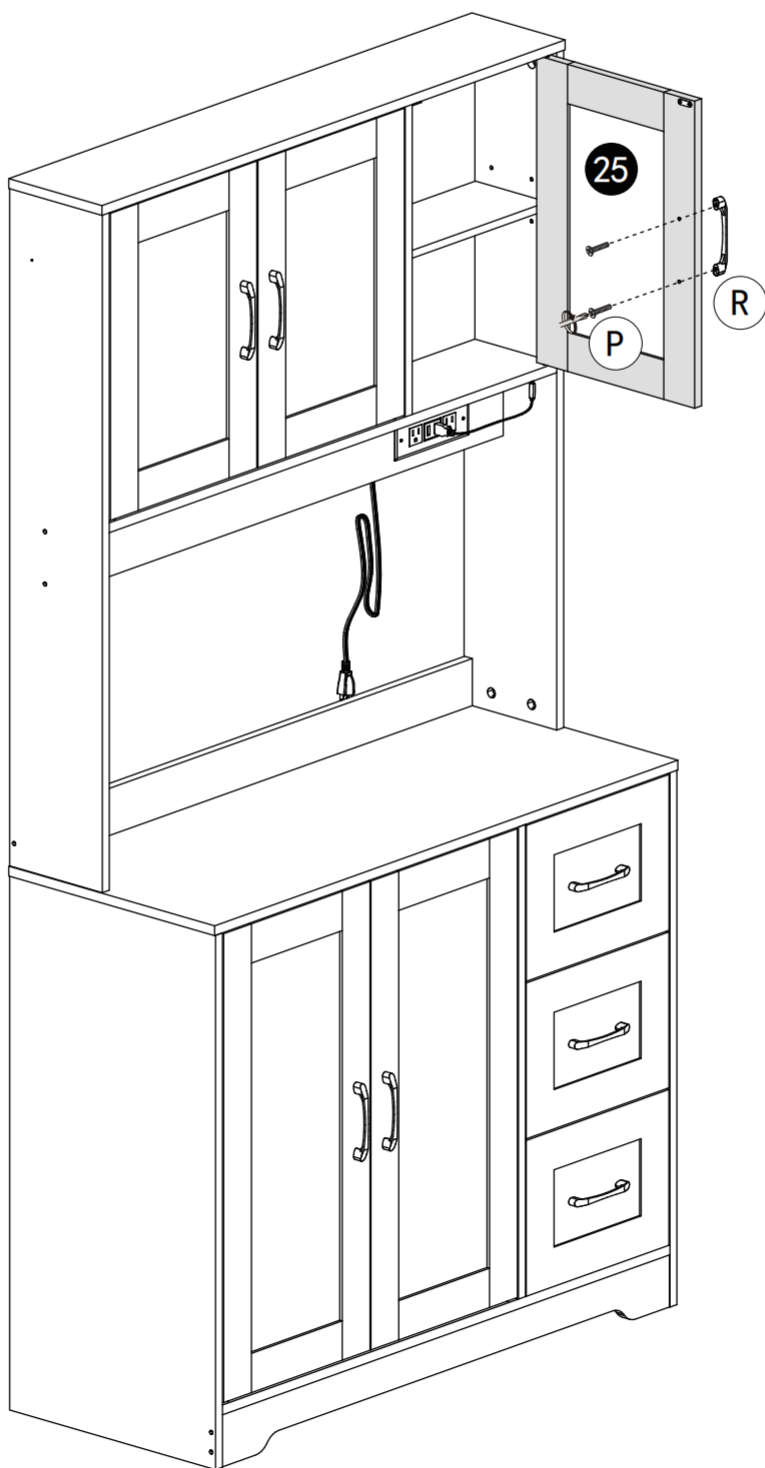
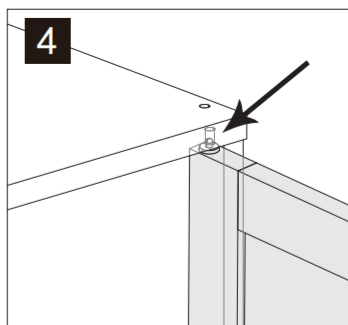
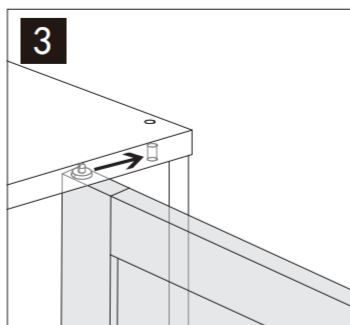
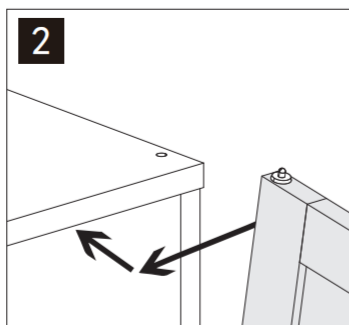
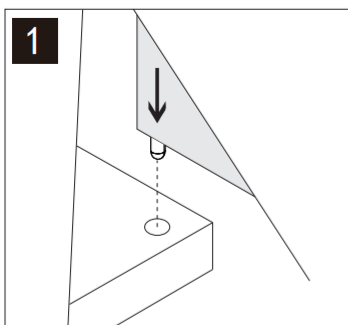




| | | |
|---|---|----|
| P |  | x4 |
| R |  | x2 |

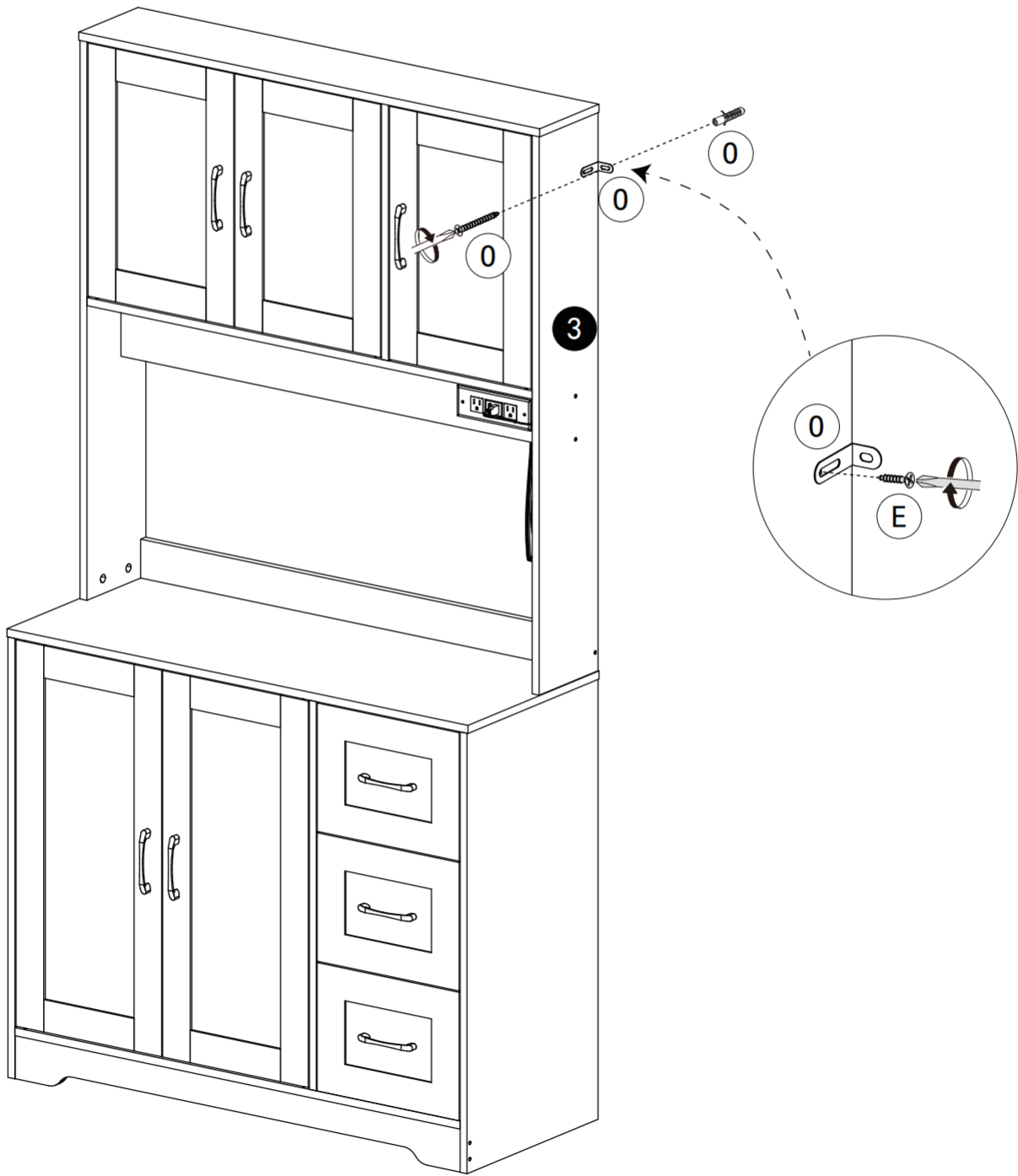
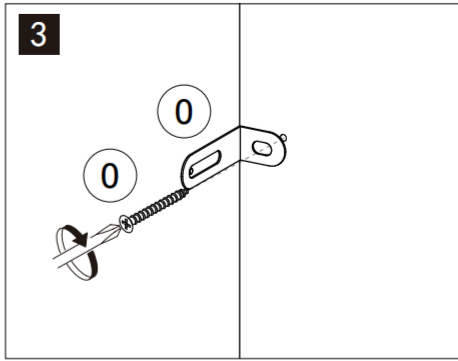
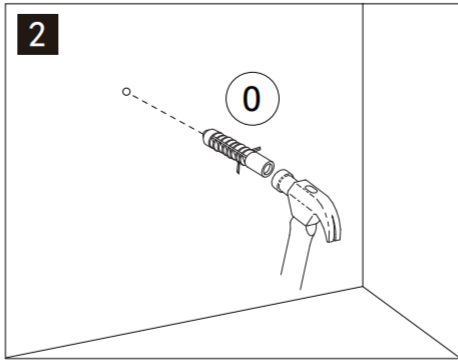
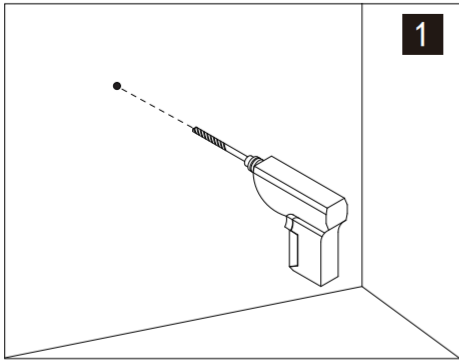


| | | |
|---|---|----|
| P |  | x4 |
| R |  | x2 |

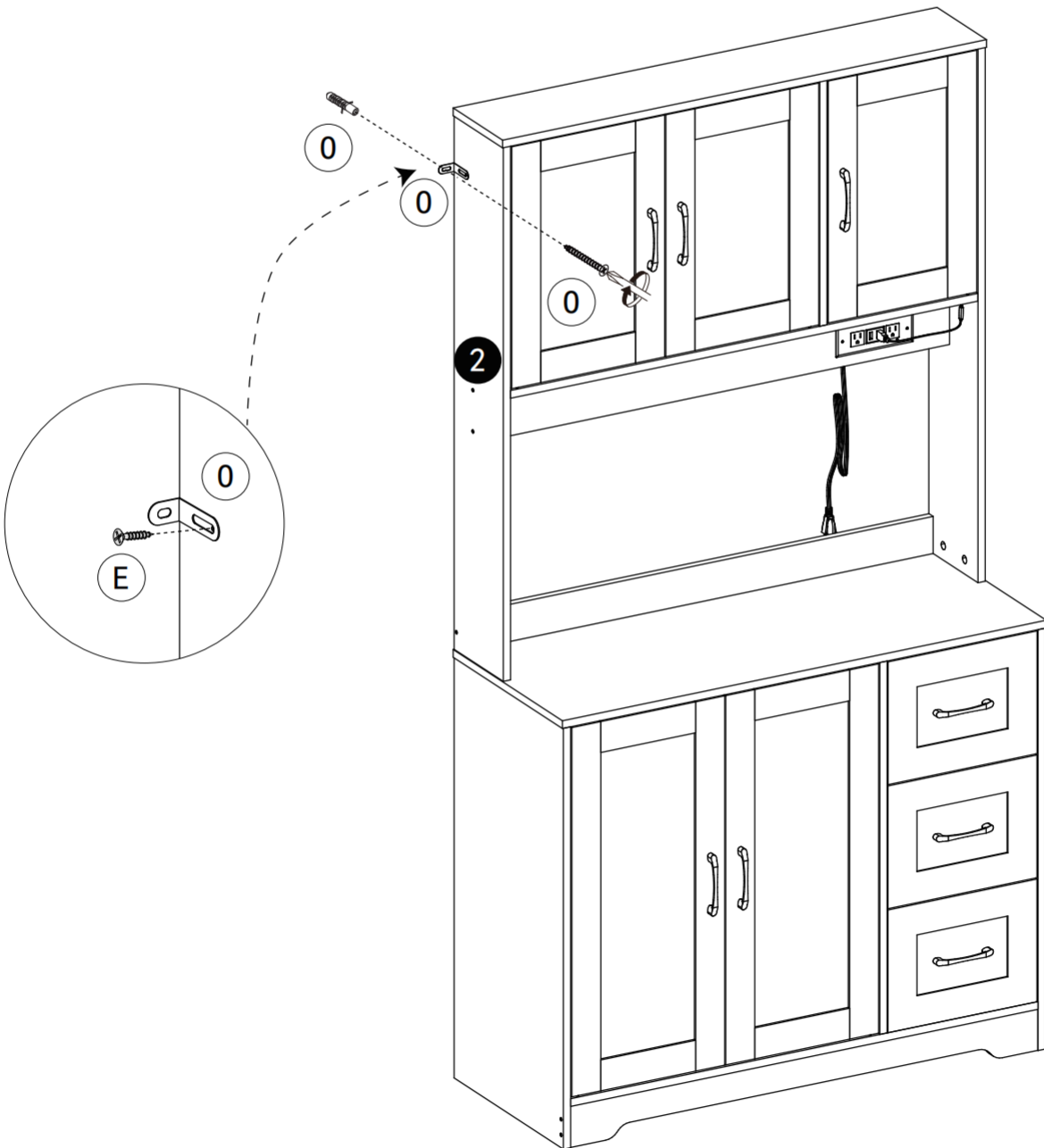
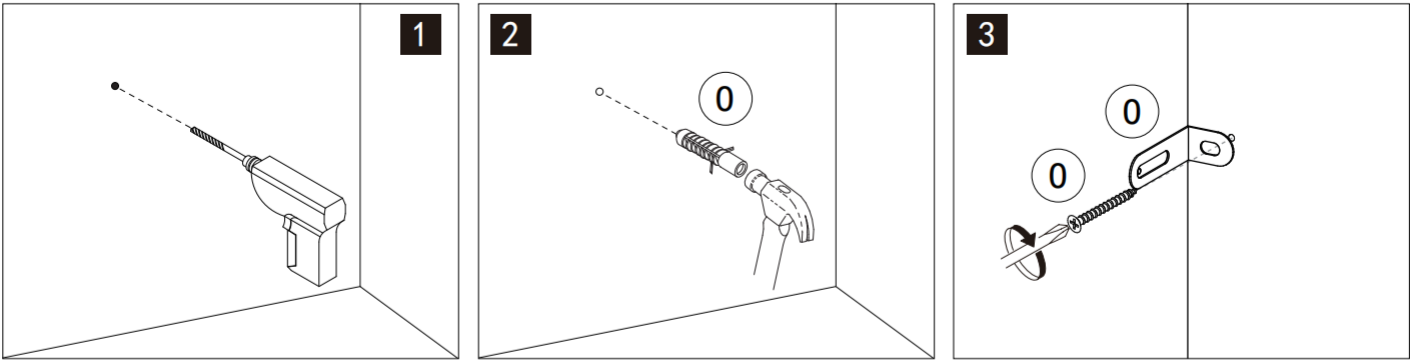
6



| | | |
|---|---|----|
| P |  | x2 |
| R |  | x1 |

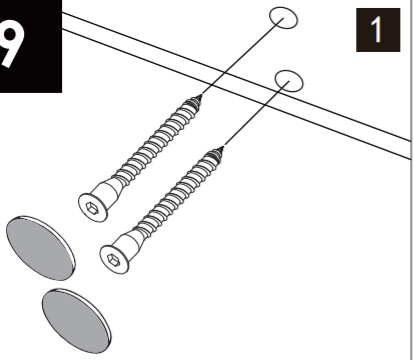


- | | | | | | |
|---|--|----|---|--|----|
| 0 | | x1 | E | | x1 |
|---|--|----|---|--|----|



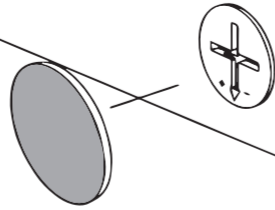
| | | | | | |
|---|--|----|---|--|----|
| 0 | | x1 | E | | x1 |
|---|--|----|---|--|----|

29

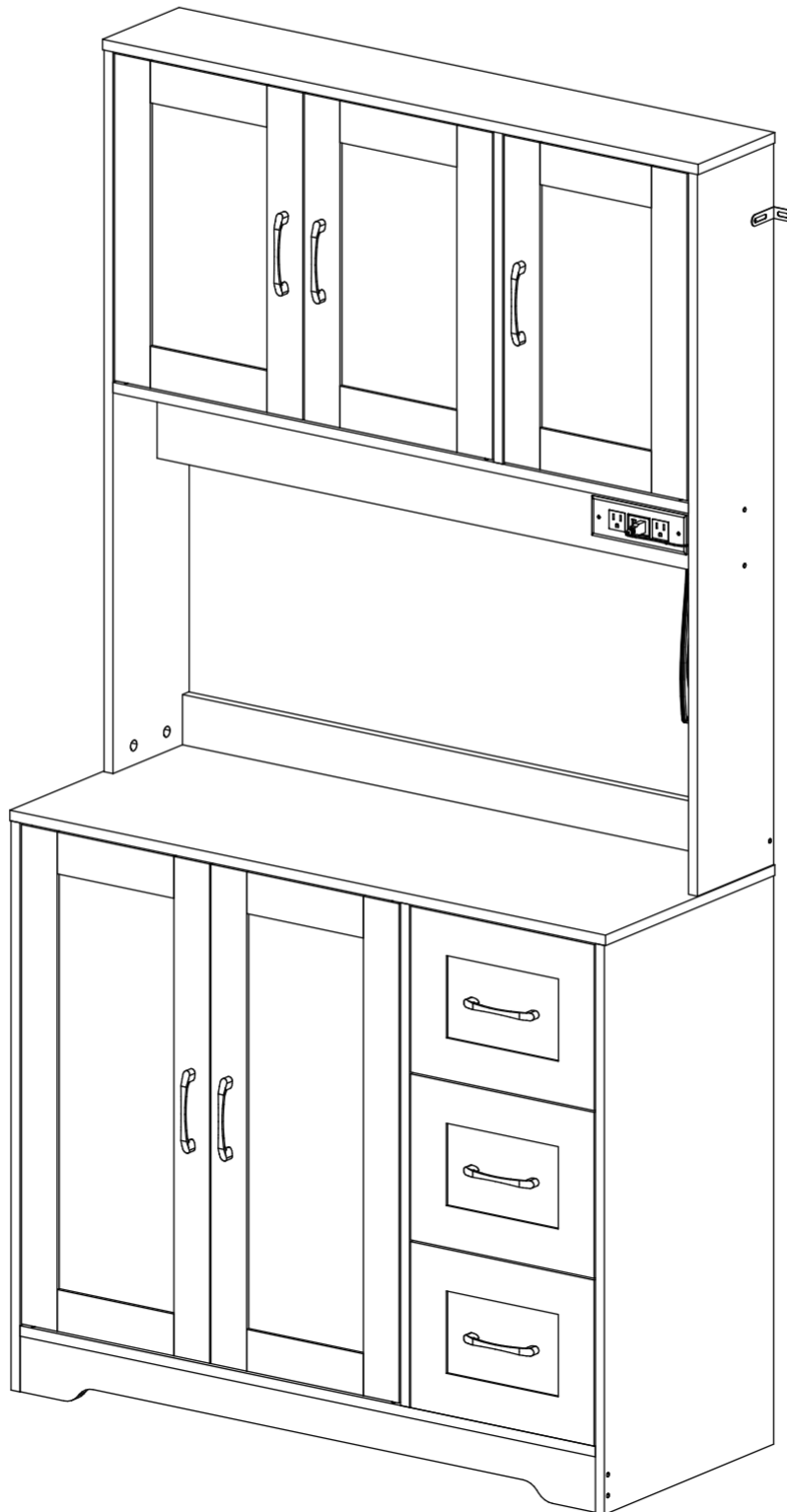


1

2



Add L fittings to all exposed holes on the front of the product



L  x20