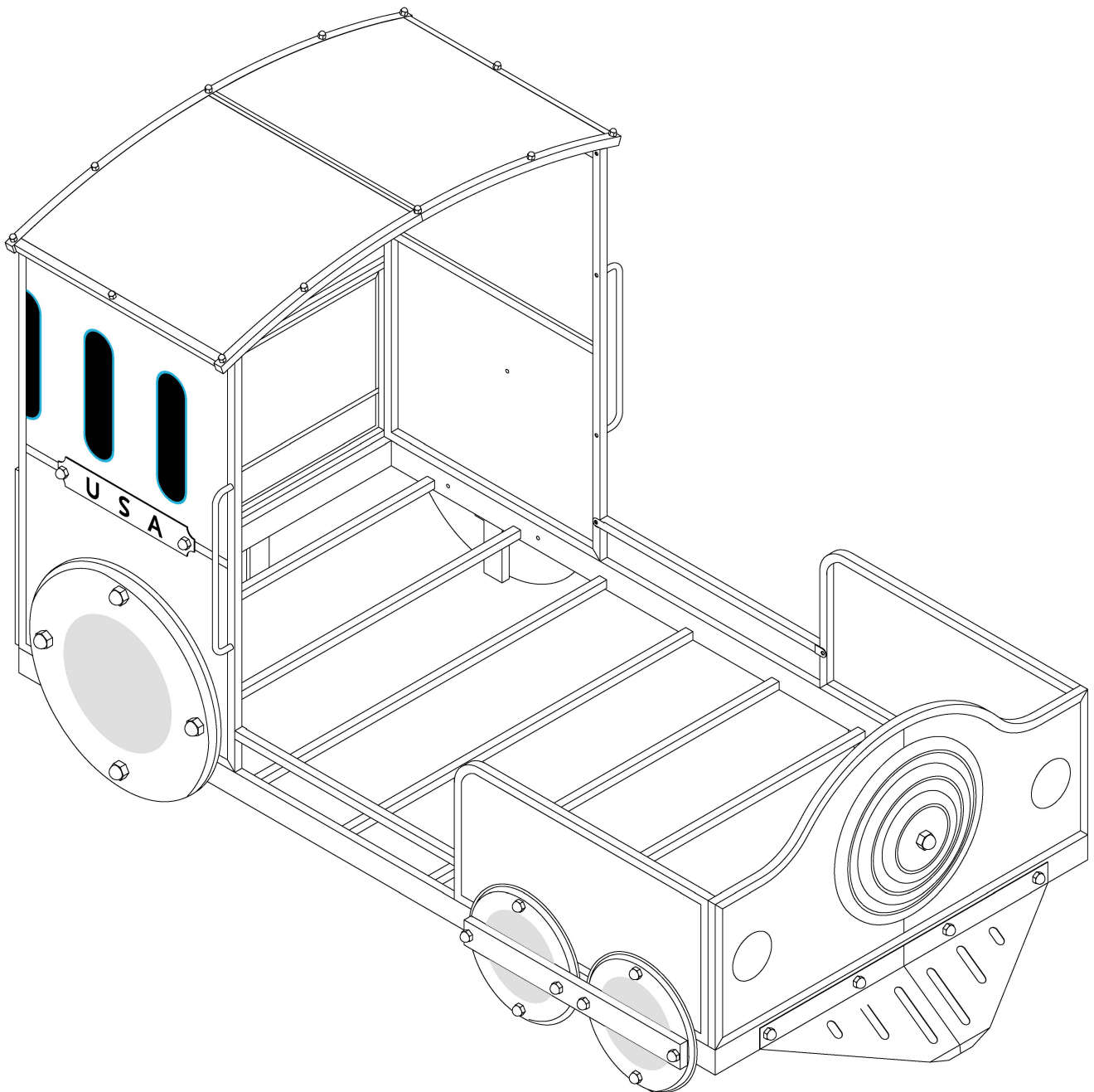
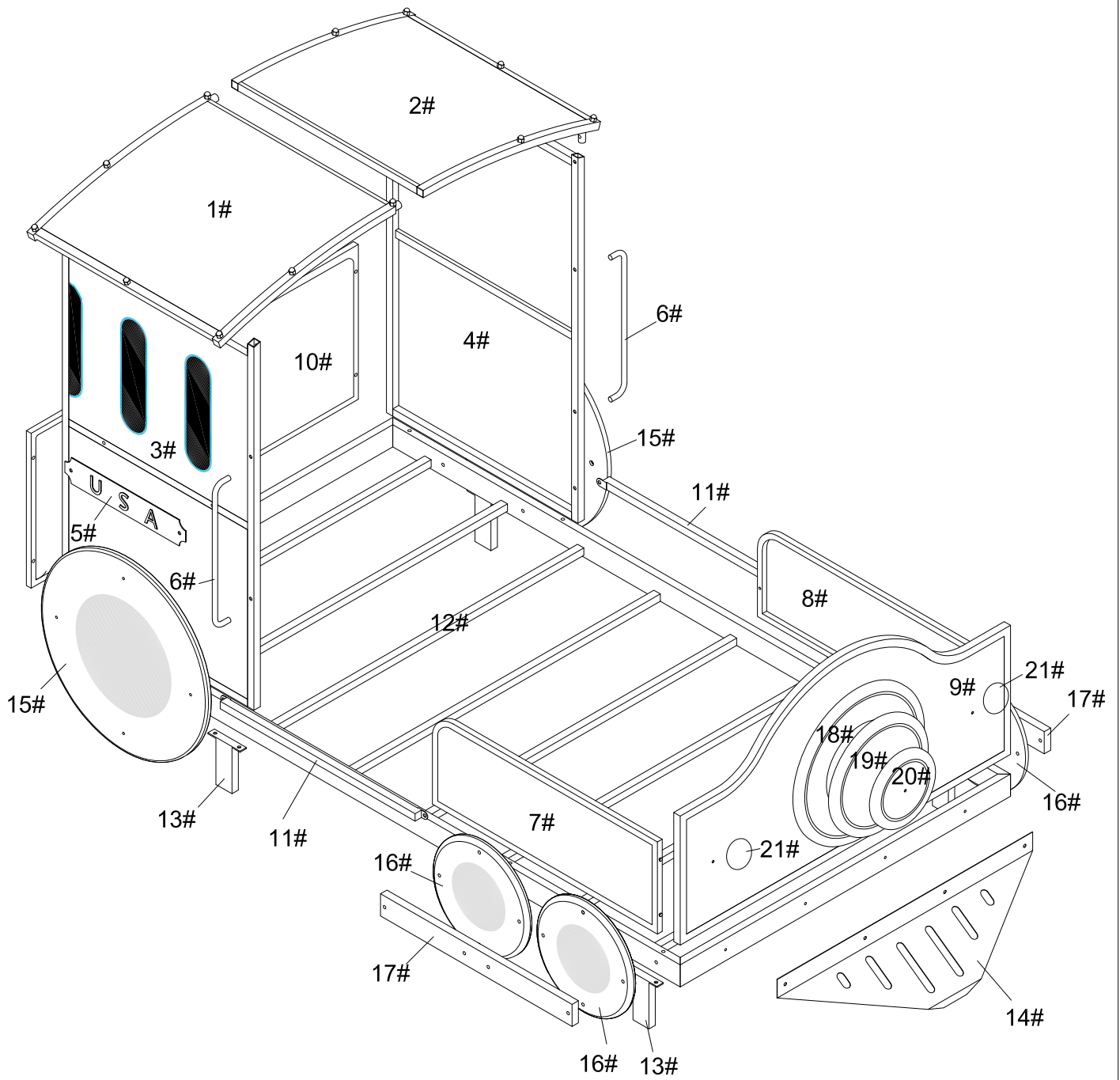


ASSEMBLY INSTRUCTIONS


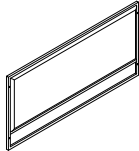

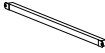
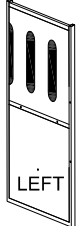
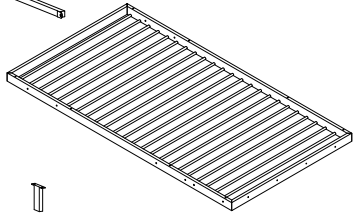
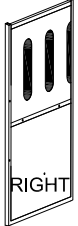


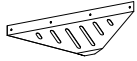

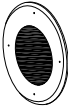
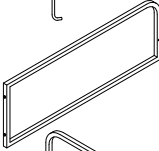

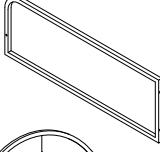

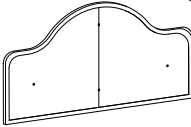



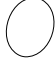


Do not tighten screws until completely assembled.






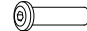






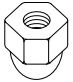
PARTS IDENTIFICATION



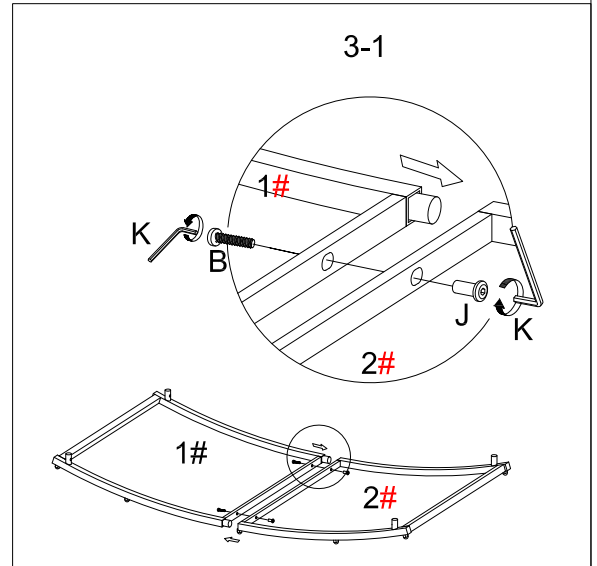
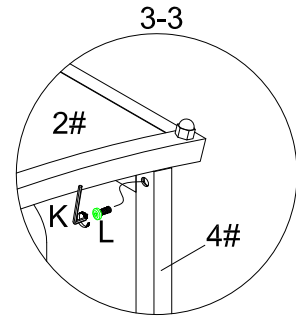
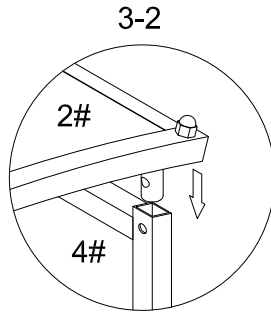
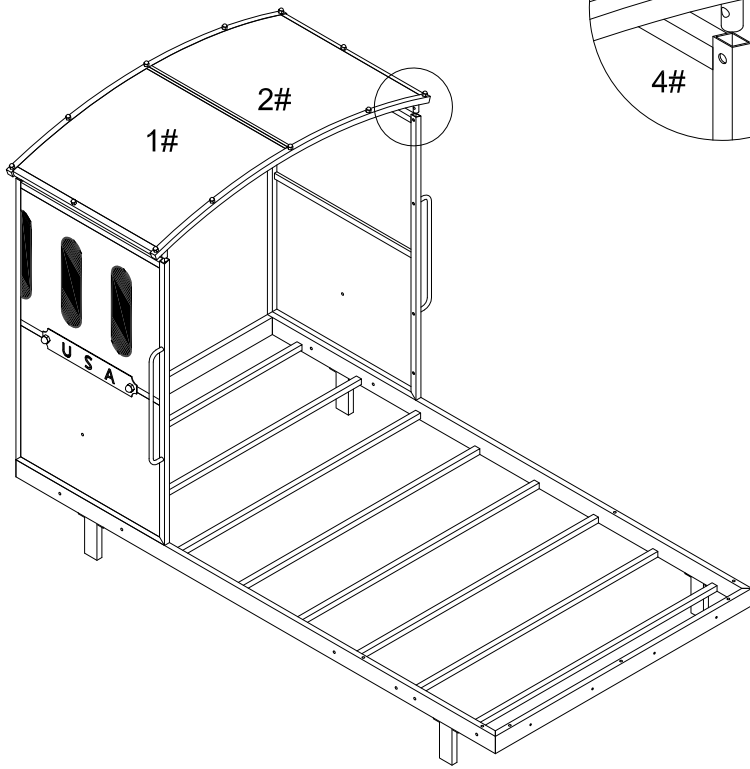
PARTS IDENTIFICATION

1#		1pc	10#		1pc
2#		1pc	11#		2pcs
3#		1pc	12#		1pc
4#		1pc	13#		5pcs
5#		2pcs	14#		1pc
6#		2pcs	15#		2pcs
7#		1pc	16#		4pcs
8#		1pc	17#		2pcs
9#		1pc	18#		1pc
			19#		1pc
			20#		1pc
			21#		2pcs

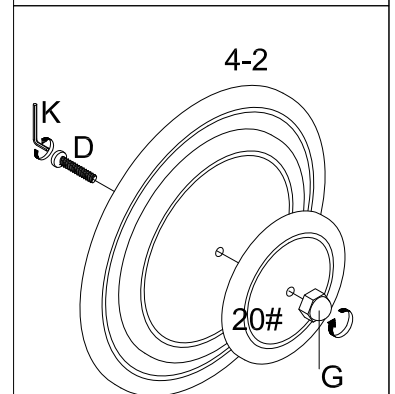
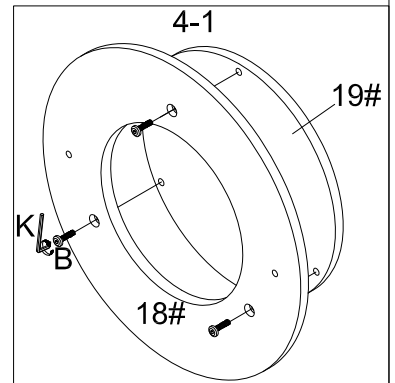
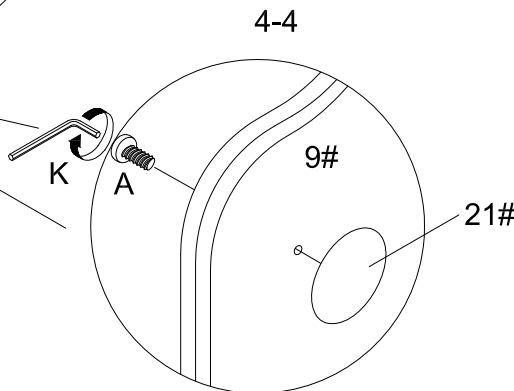
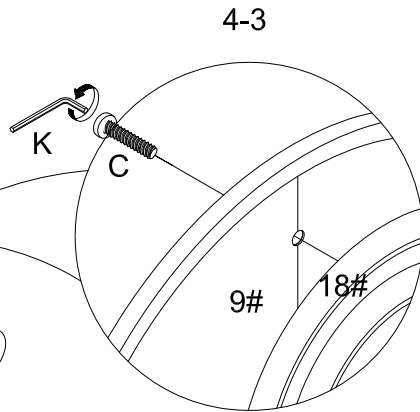
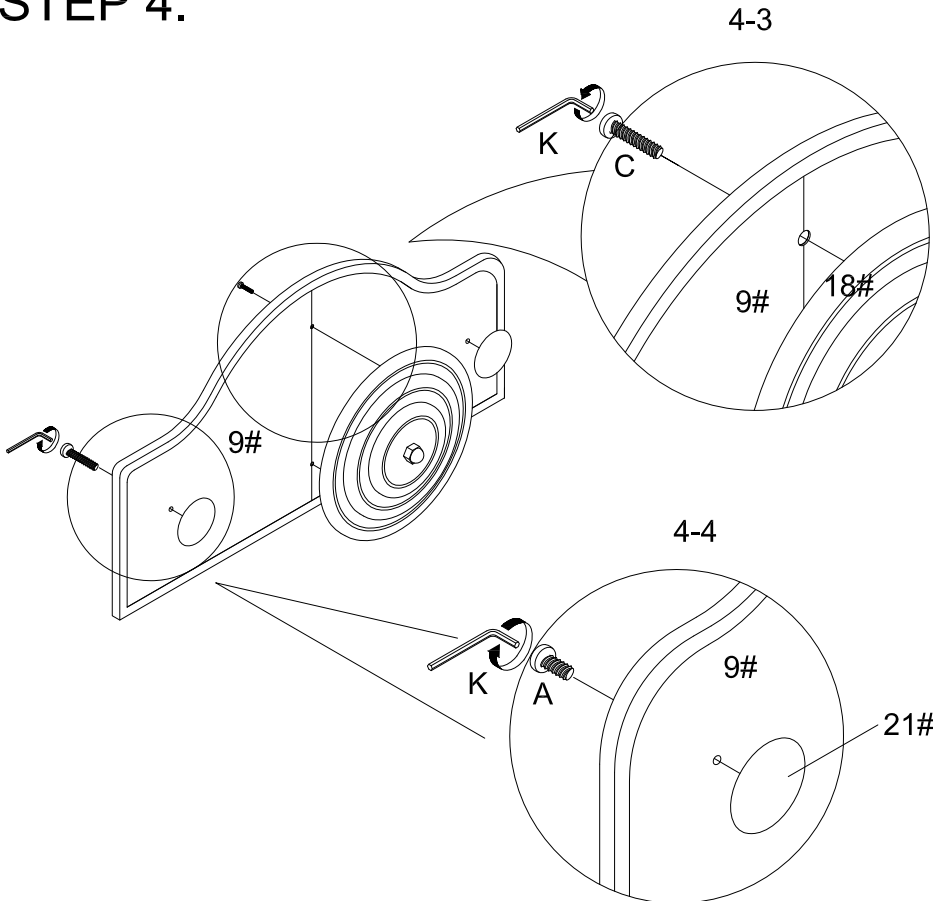
HARDWARE LIST

A		M6x8	2pcs	H		M6x25	8pcs		
B		M6x15	19pcs	I		M6x55	8pcs		
C		M6x25	14pcs	J		M6x22	2pcs		
D		M6x30	3pcs	K		4x4	2pcs		
E		M6x60	11pcs	L		M6x10	18pcs		
F		17x17x18	RED	12pcs	M		17x17x18	BLACK	12pcs
G		32x32x30	9pcs						

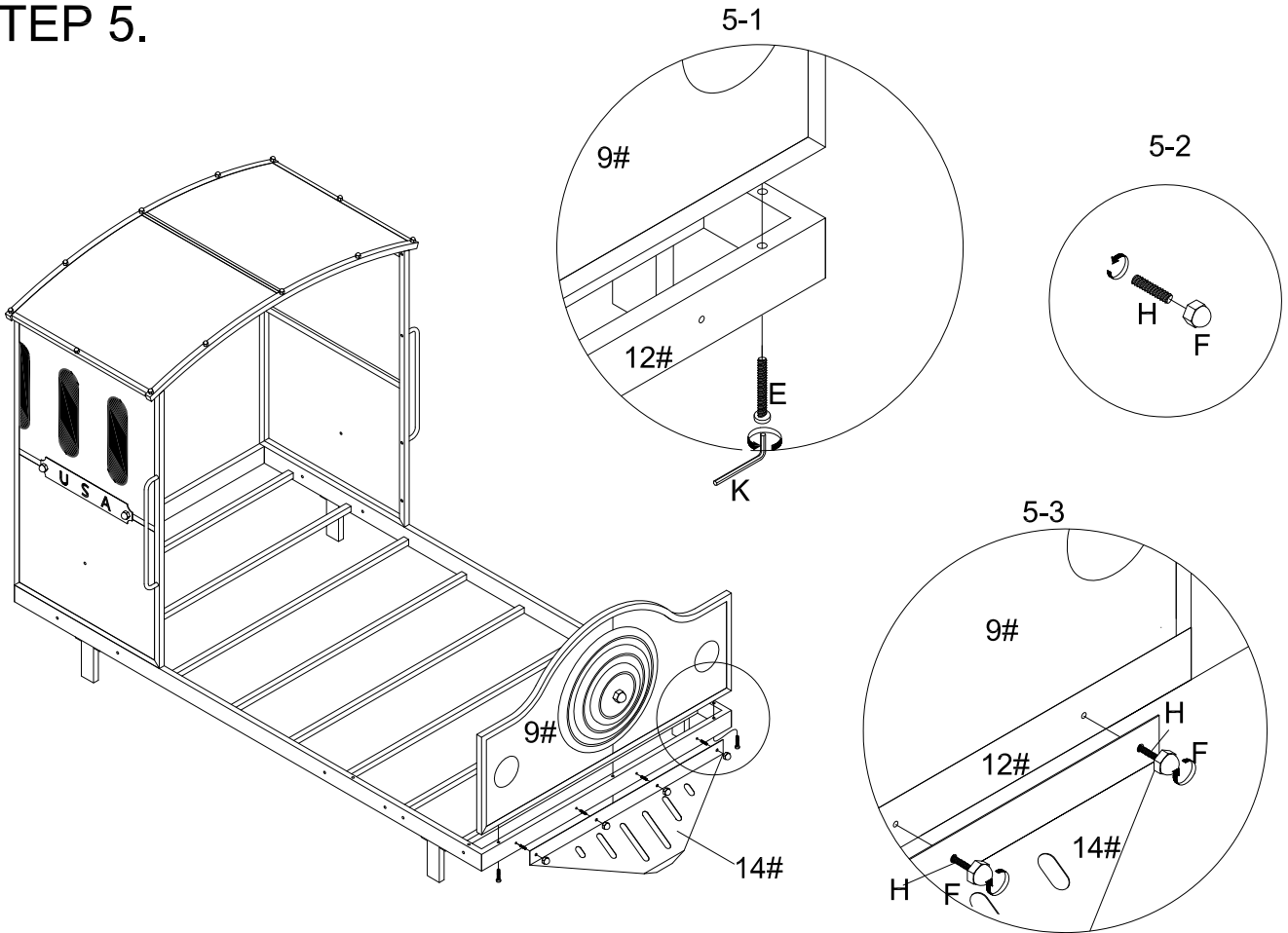
STEP 3.



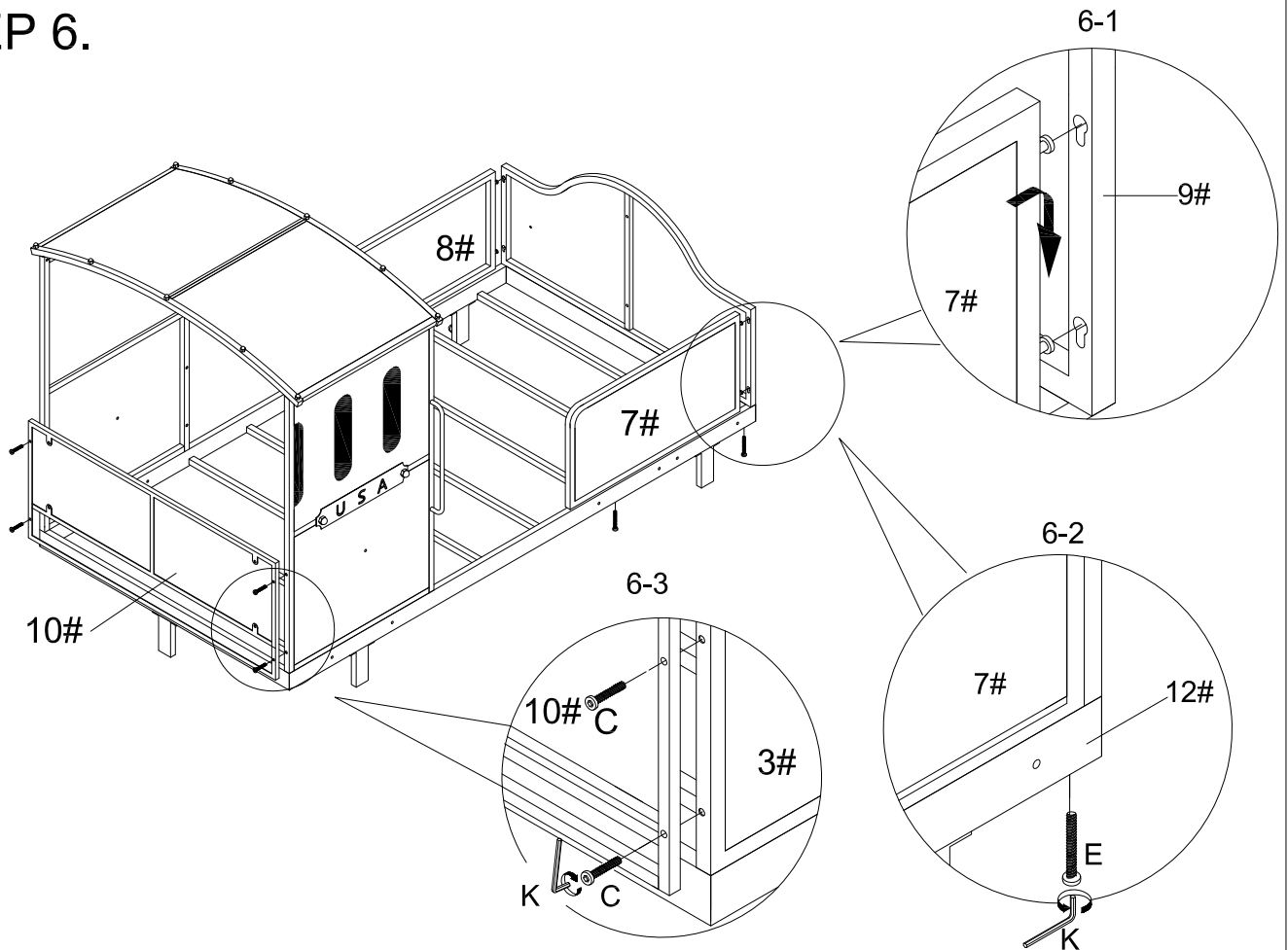
STEP 4.



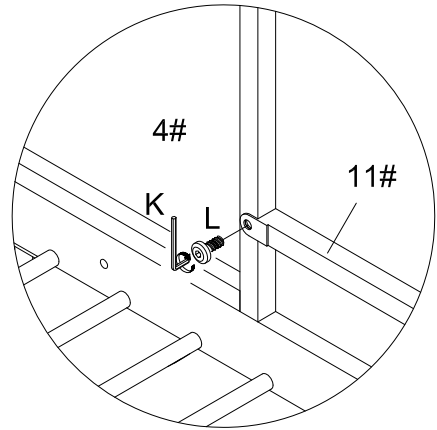
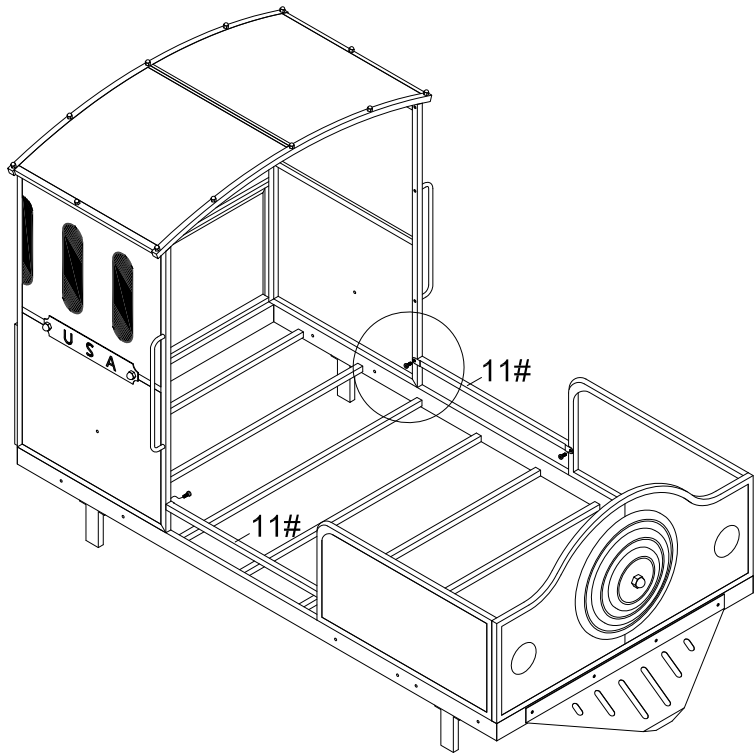
STEP 5.



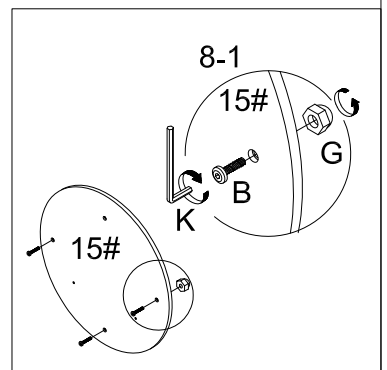
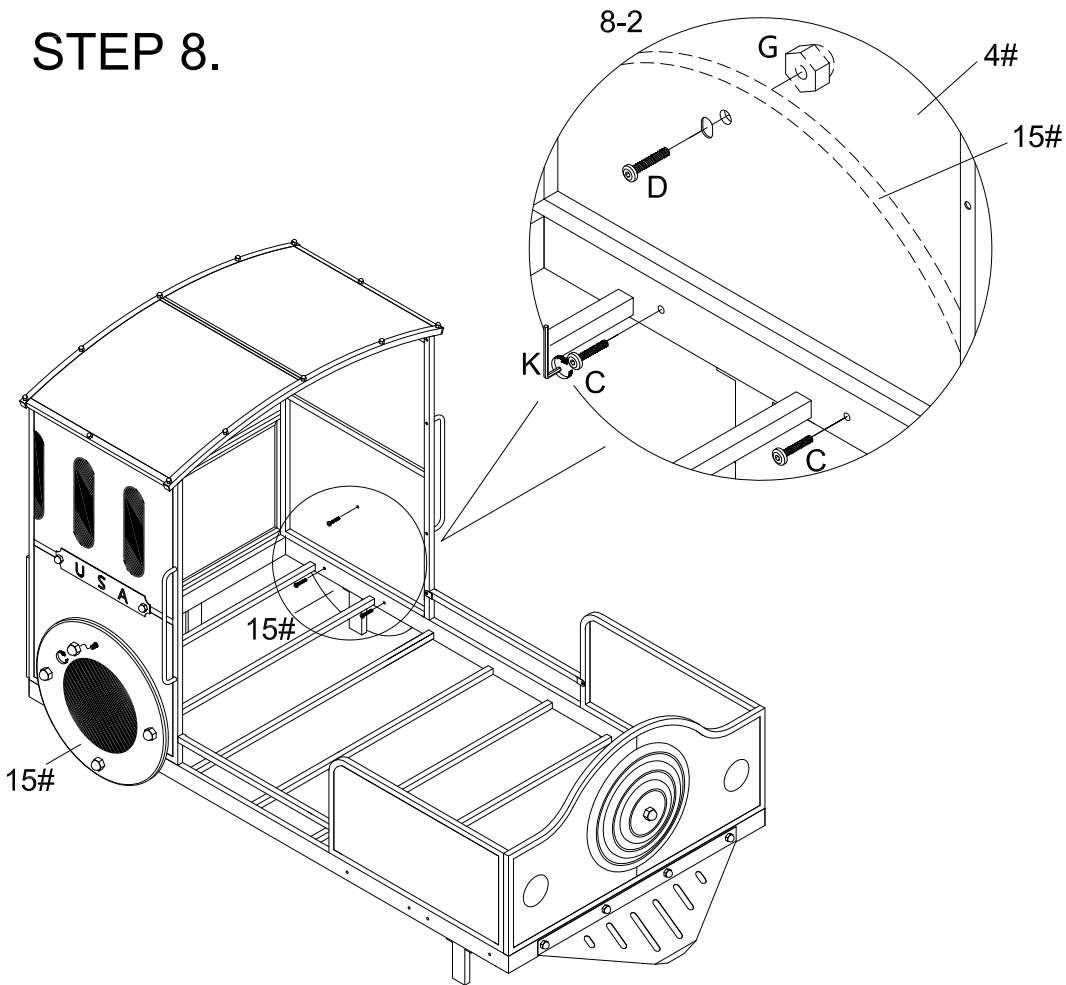
STEP 6.



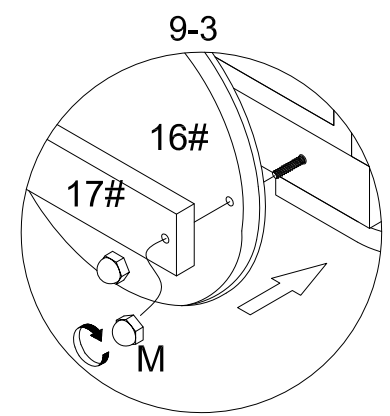
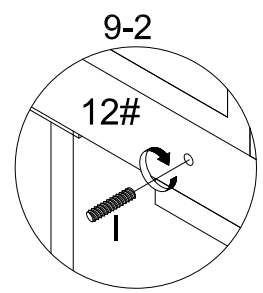
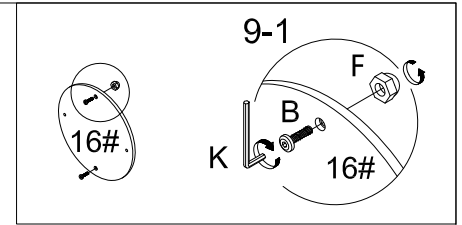
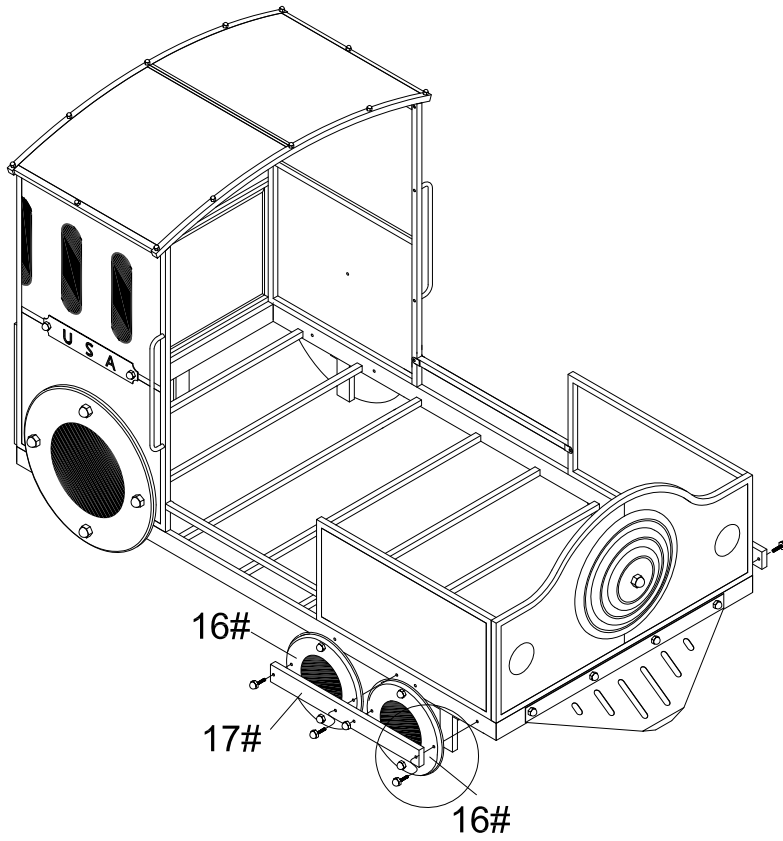
STEP 7.



STEP 8.



STEP 9.



STEP 10.

