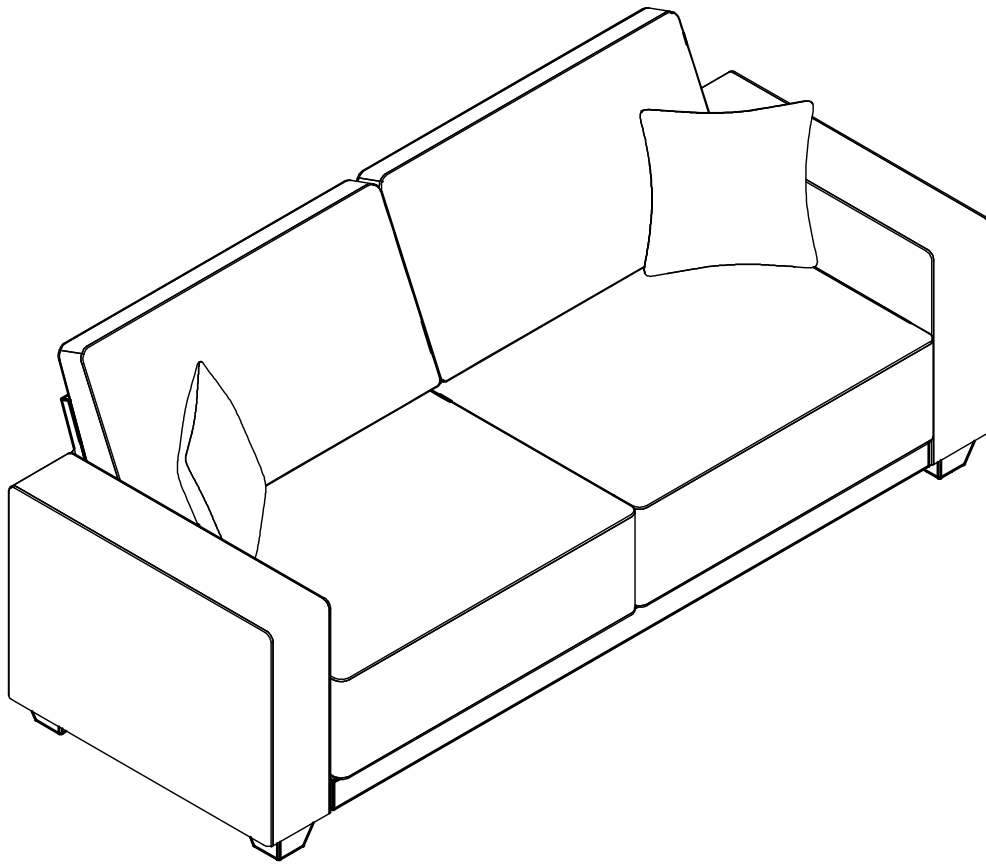
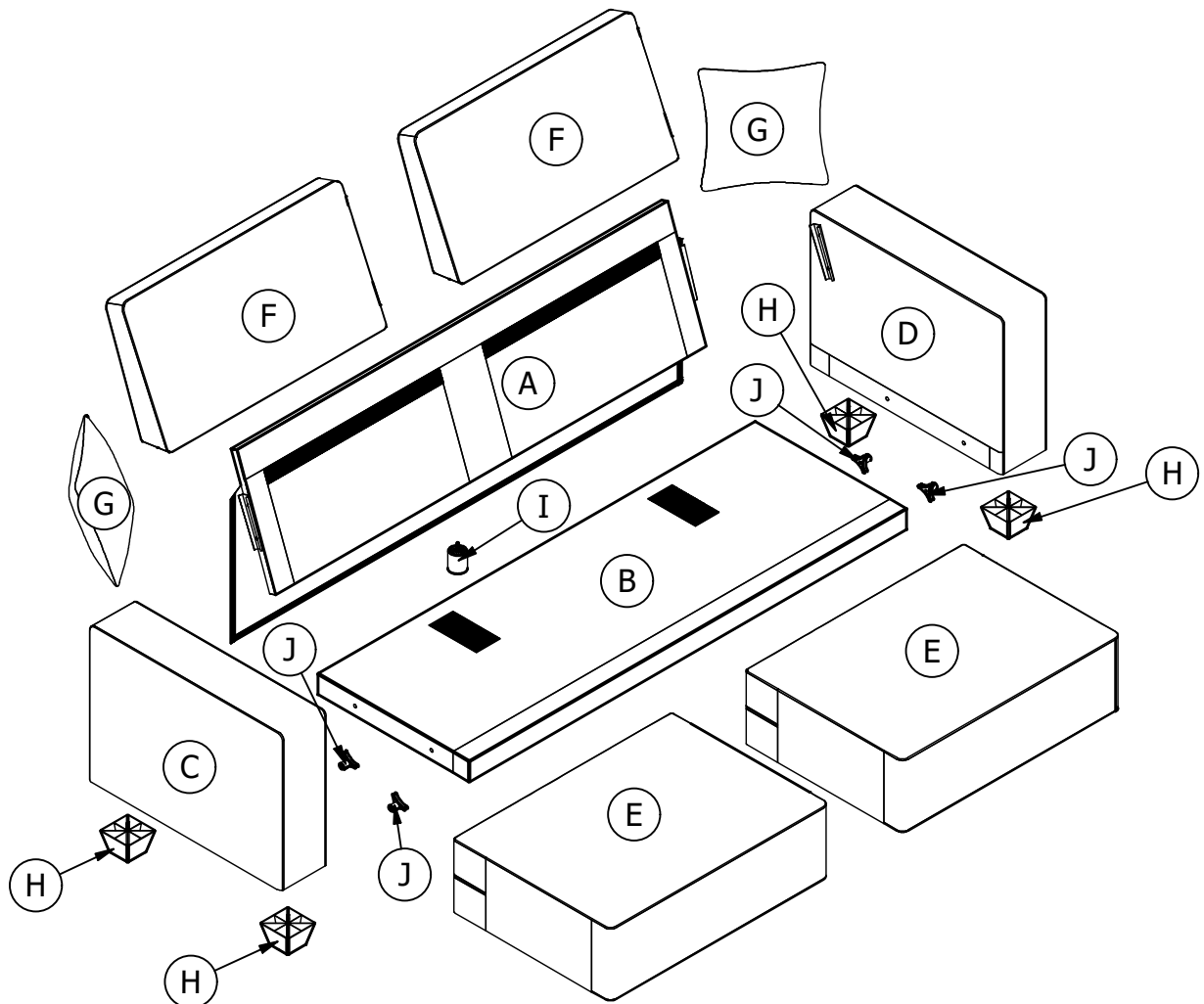


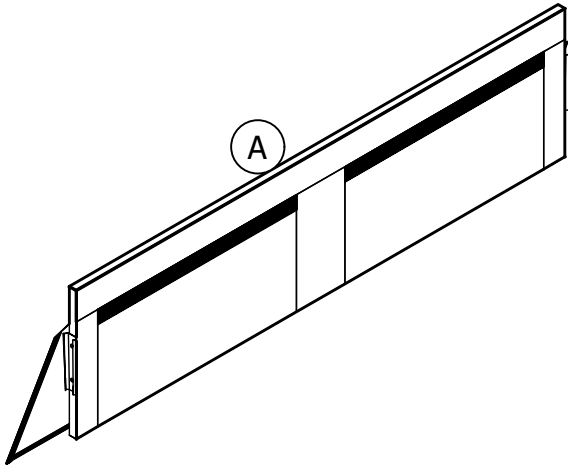
Assembly Instruction



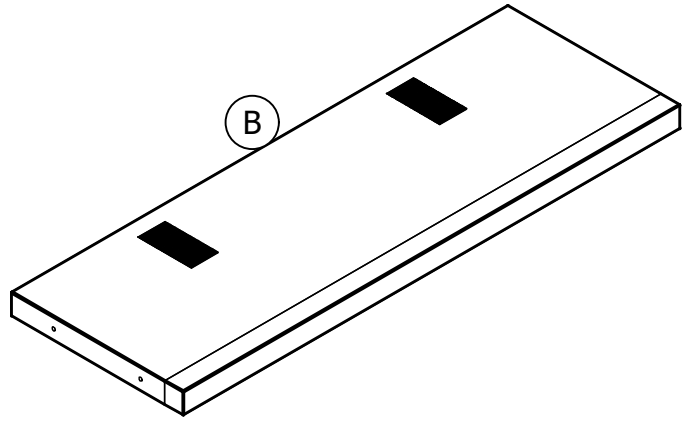
PARTS



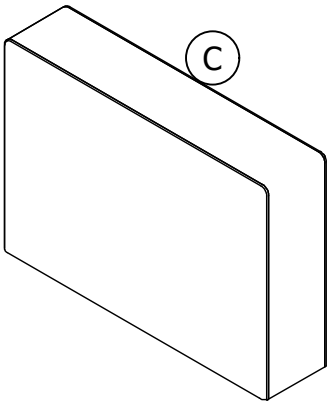
PARTS LIST



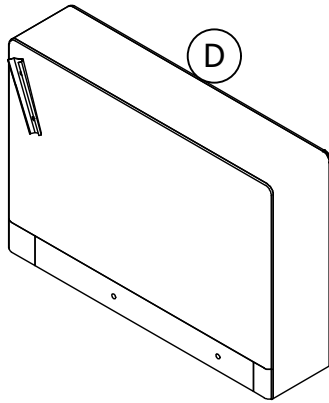
Back
1 PC



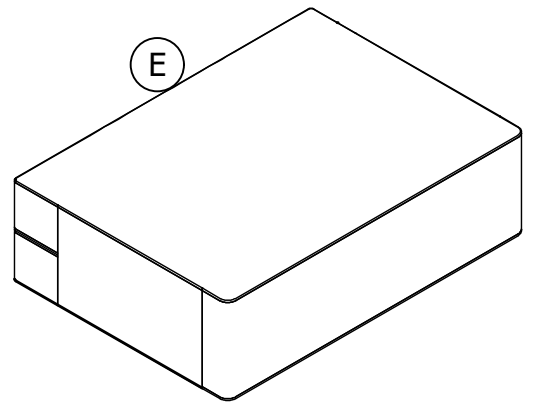
Seat Panel
1 PC



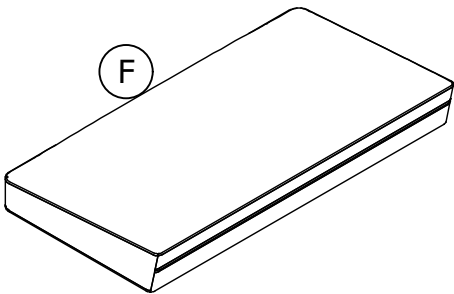
Left Armrest
1 PC



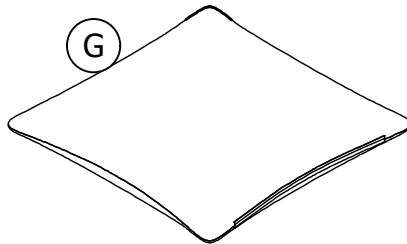
Right Armrest
1 PC



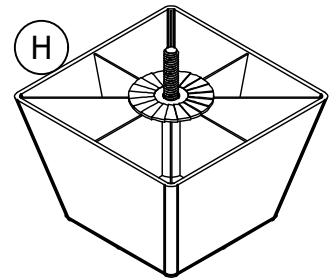
Seat Cushion
2 PCS



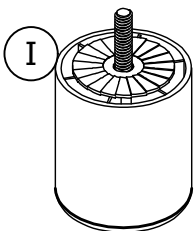
Back Cushion
2 PCS



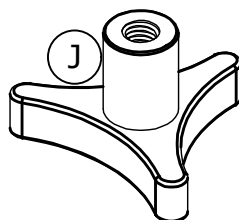
Pillow
2 PCS



Leg
4 PCS

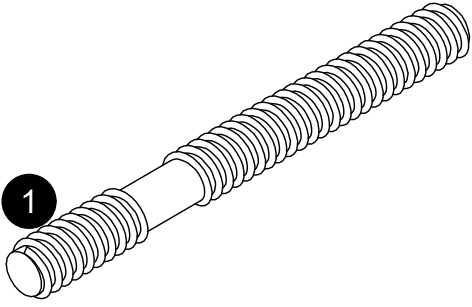


Middle Leg
1 PC



NUT
4 PCS

HARDWARE

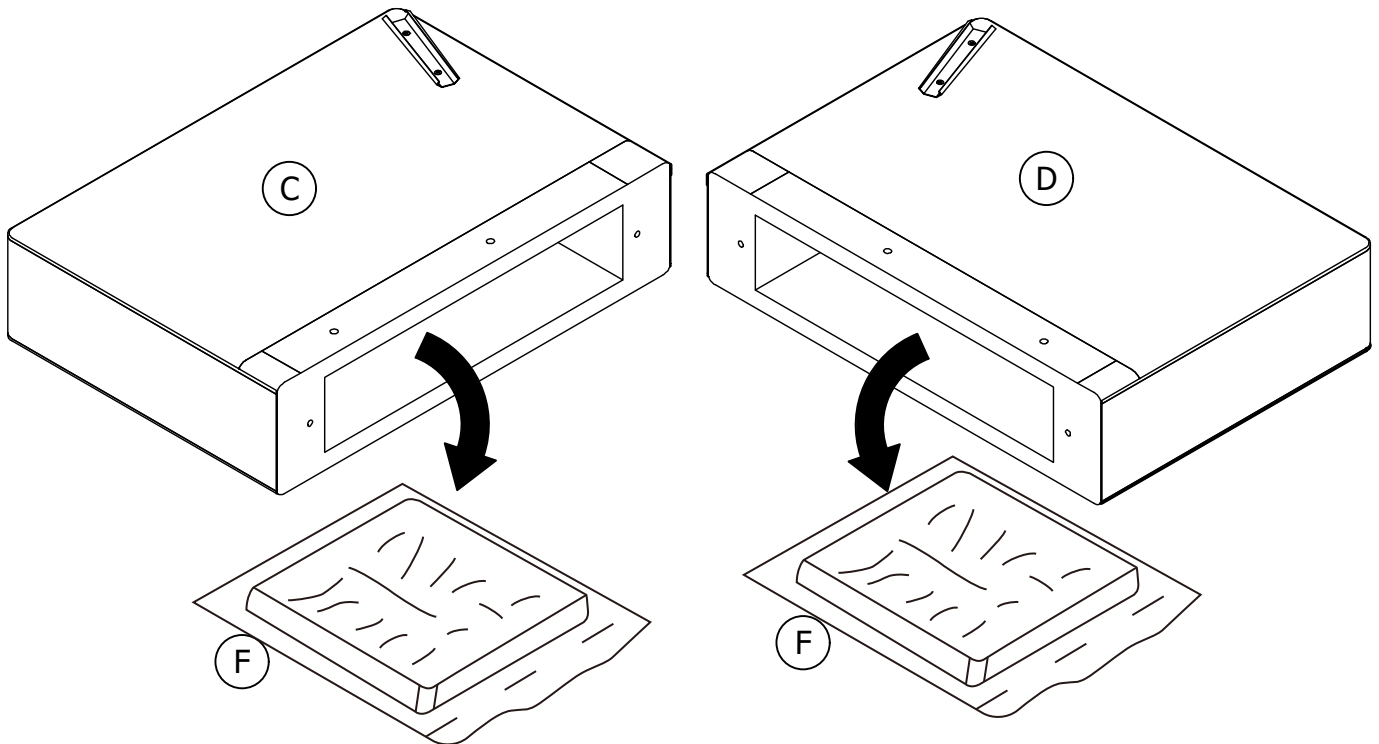


Studs 5/16" x 80mm
X 4

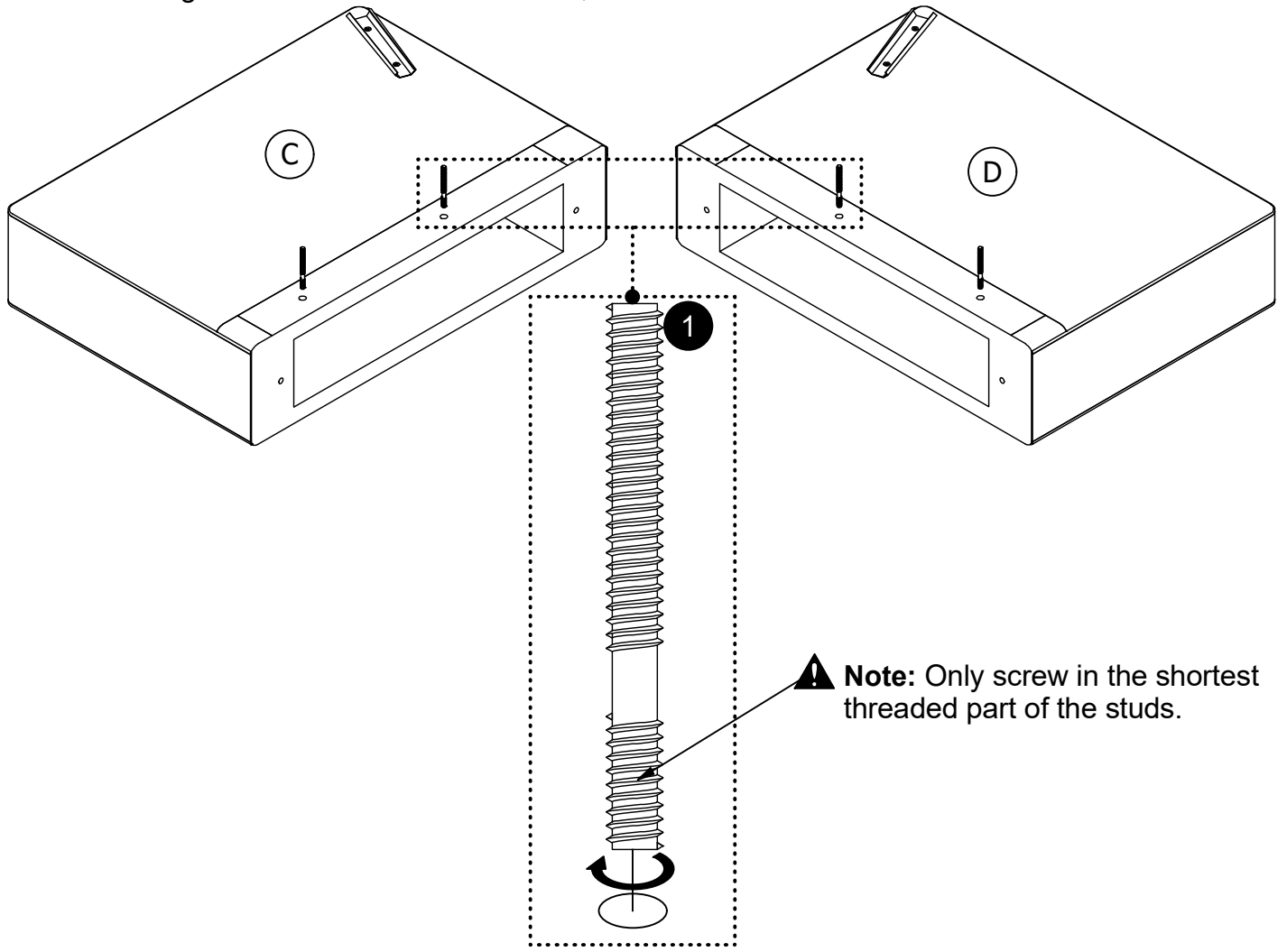
STEP 1:

Place all parts on a clean, smooth surface.

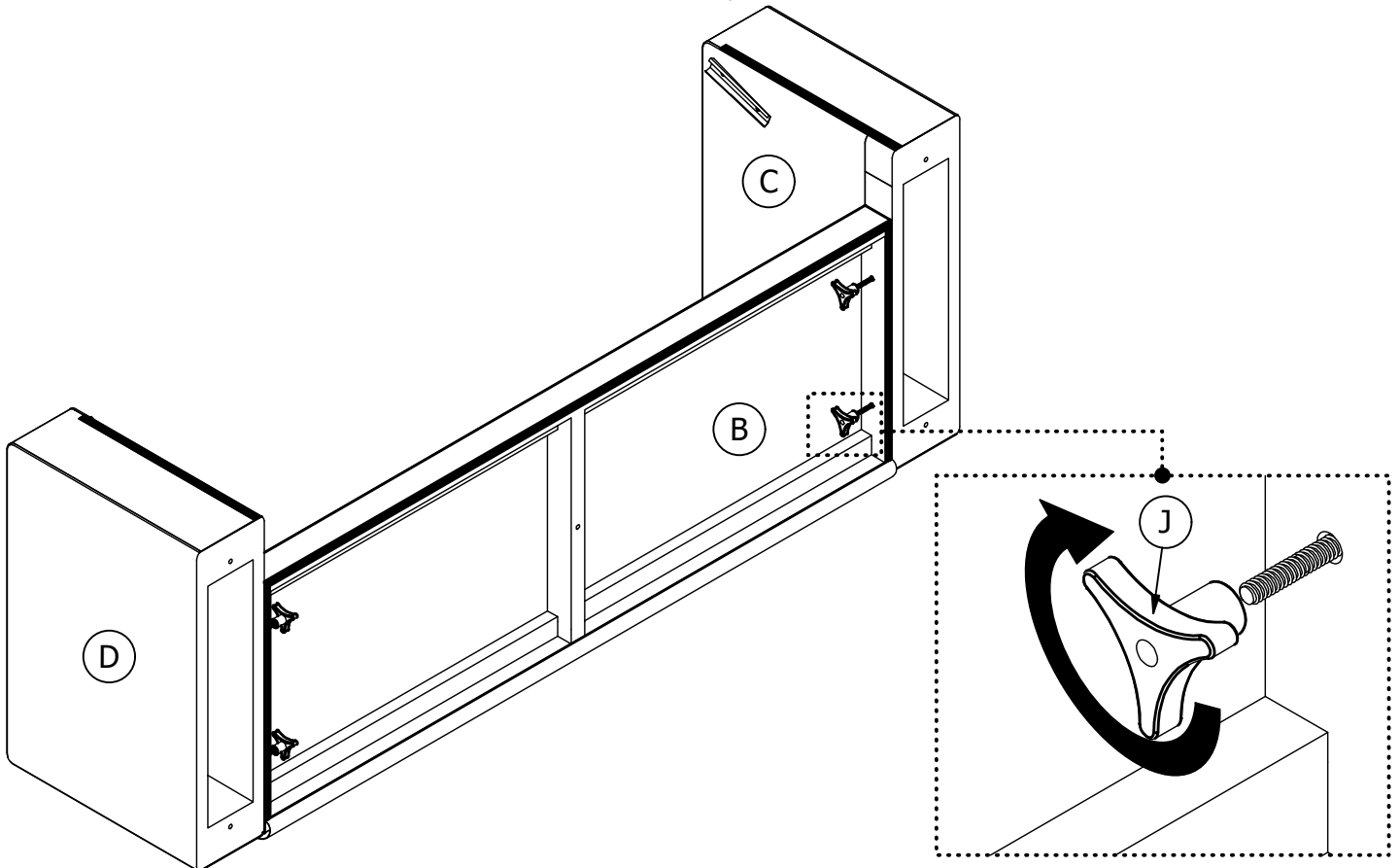
Some parts will be found in the compartment under the Armrests, as shown.



STEP 2: Hand tighten Stud **1** to Armrest **C** & **D**, as shown.



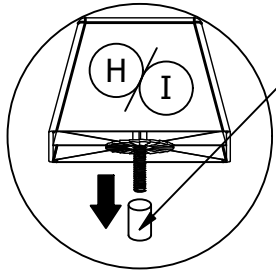
STEP 3:
Attach Armrests **C** & **D** to Seat Panel **B** with Bolts **J** x 4, as shown.



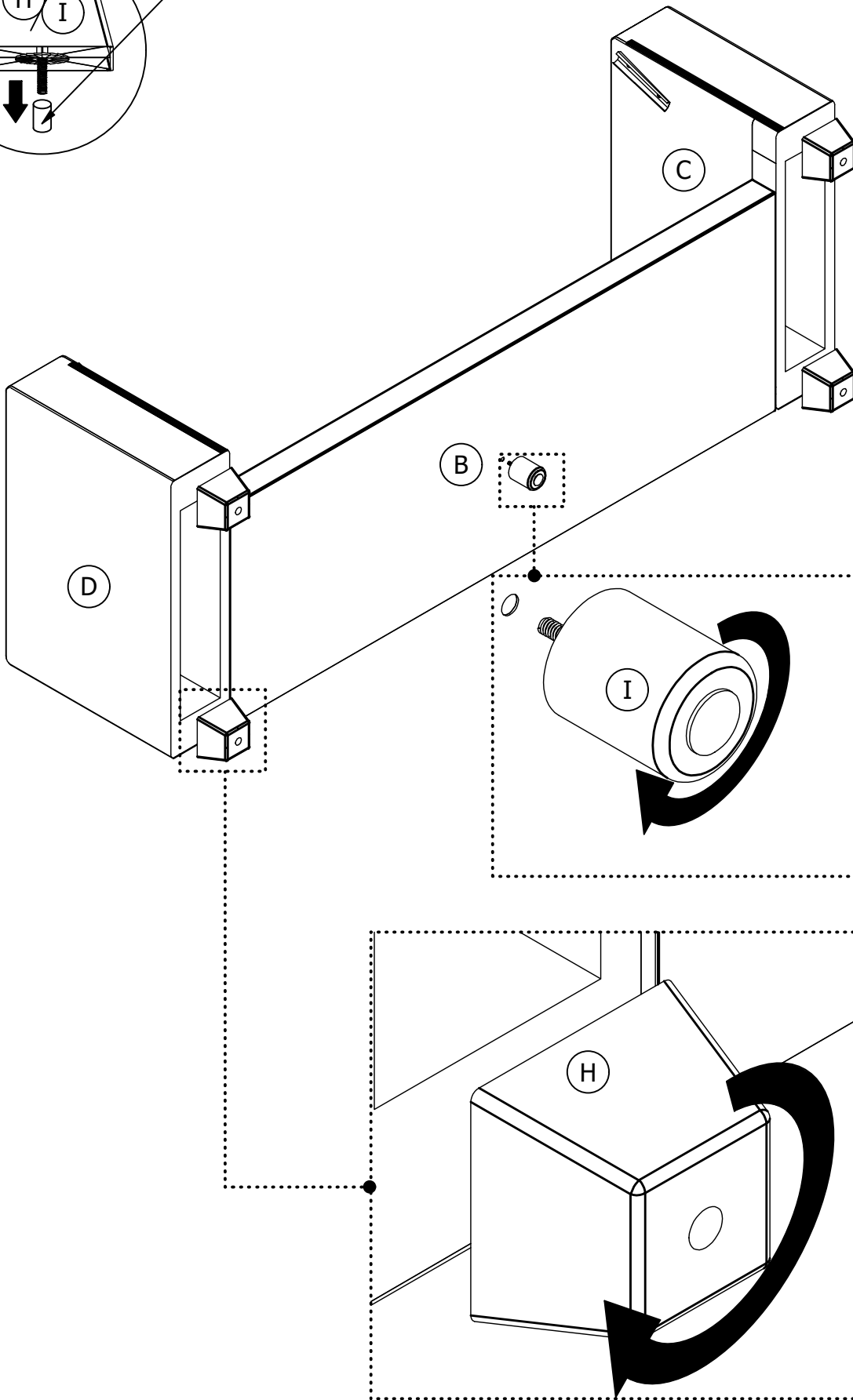
STEP 4:

Manually screw Leg H x 4 to armrests C & D.

Manually screw Support Leg I to Seat Panel B, as shown.



⚠ Please remove the protective cap on the tip of thread before assembling.

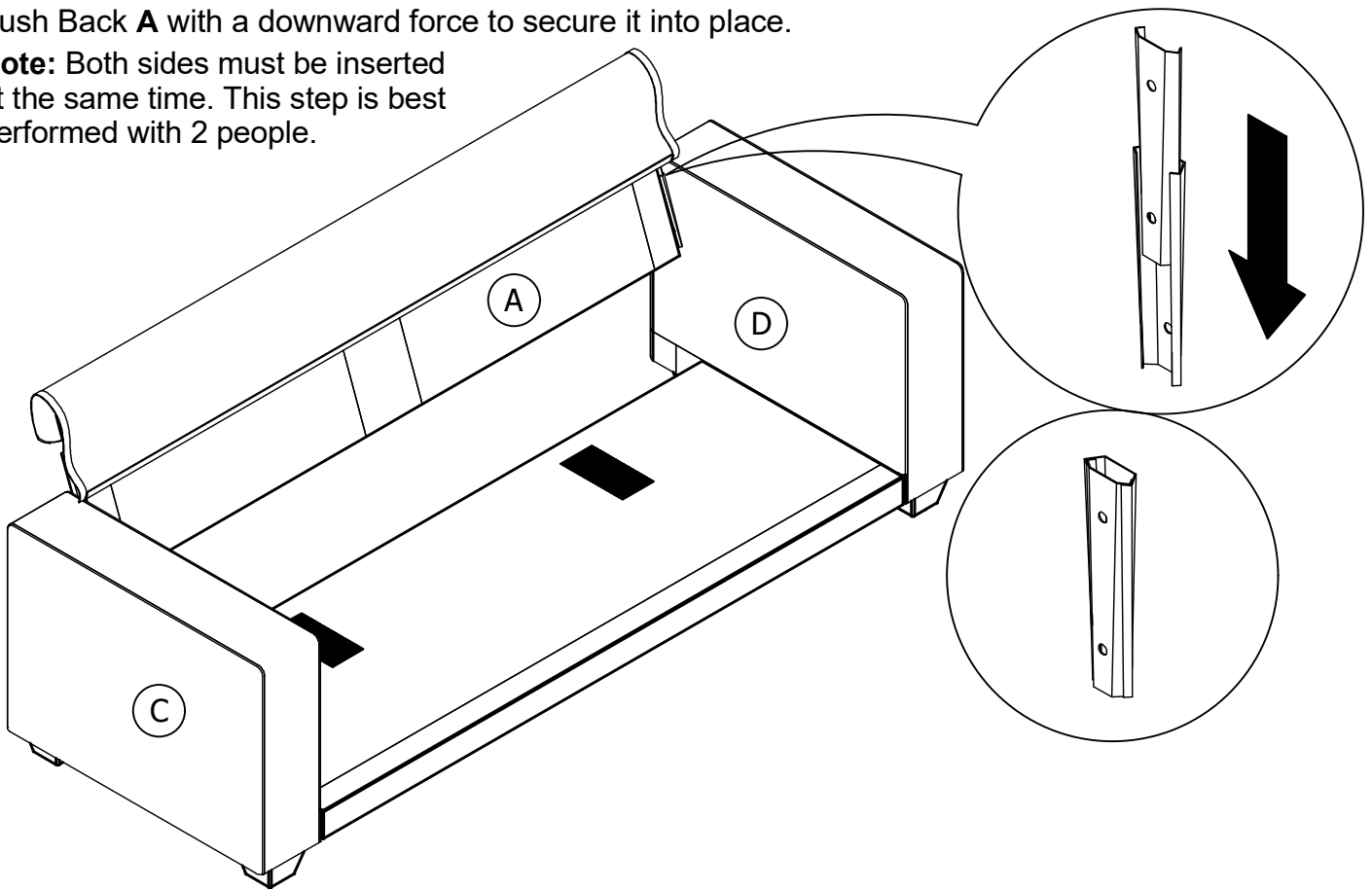


STEP 5:

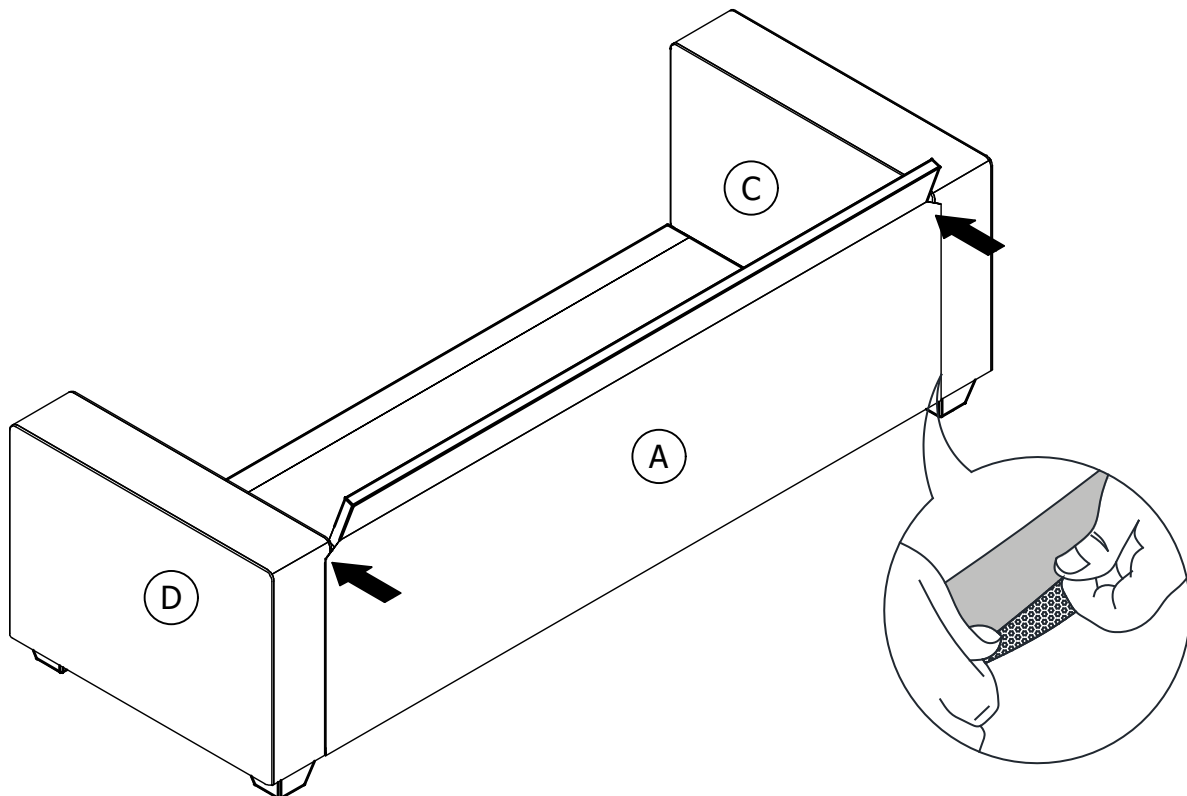
Attach Back **A** to Armrests **C** & **D** by inserting the brackets on Back **A** into the metal glides on Armrests **C** & **D**.

Push Back **A** with a downward force to secure it into place.

Note: Both sides must be inserted at the same time. This step is best performed with 2 people.

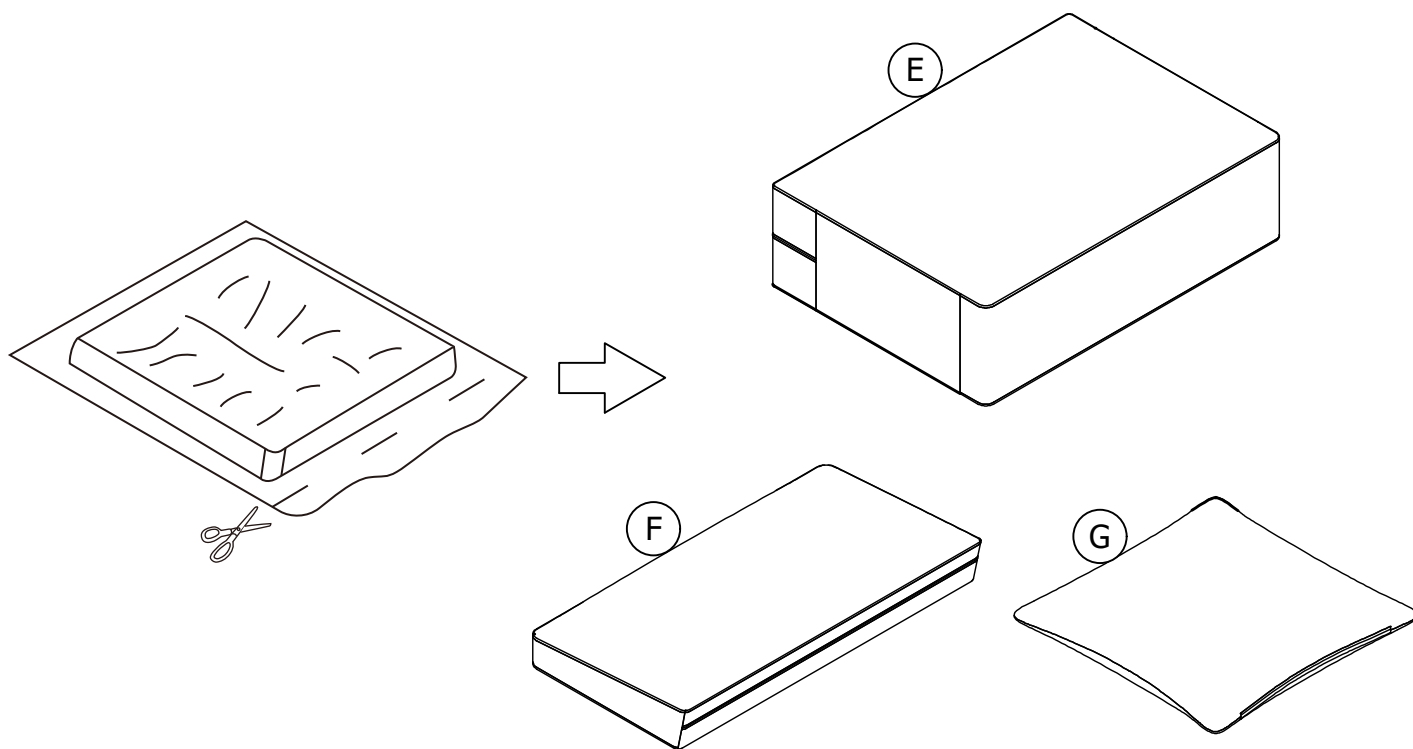


STEP 6: Secure the fabric flap on Back **A** to Armrests **C** & **D** using the Velcro strips.



Step 7:

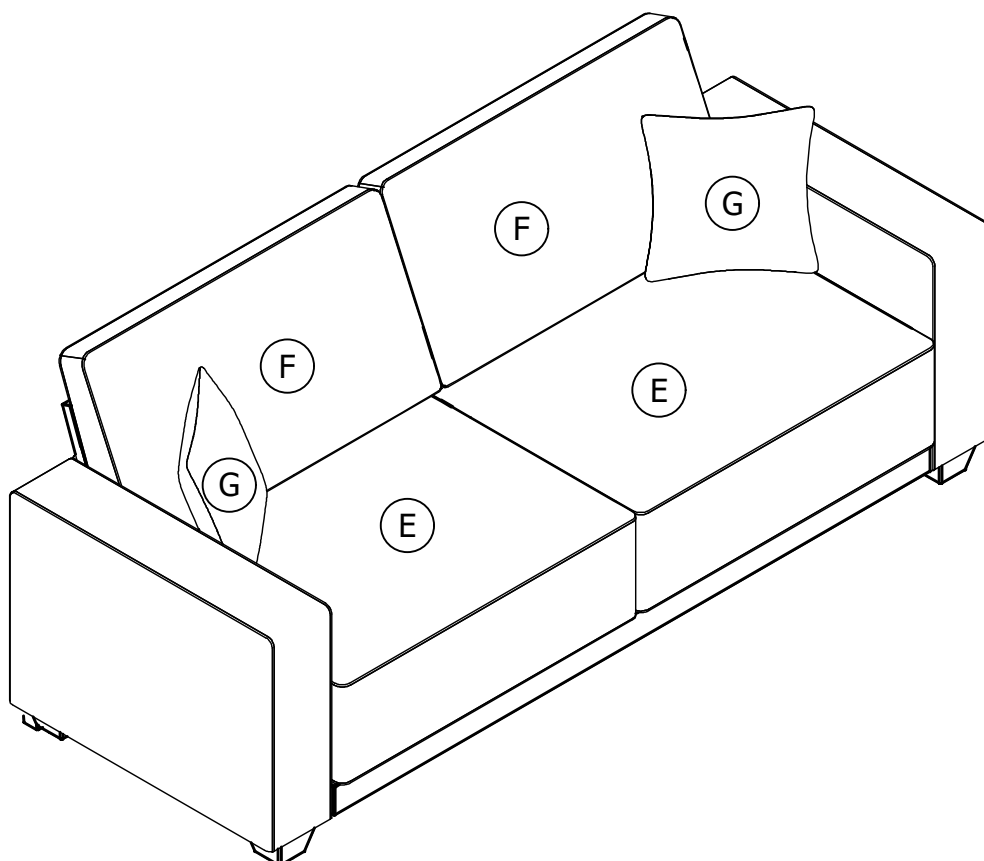
Remove the Cushion **E** x 2, **F** x 2 & **G** x 2 from their vacuum sealed package.



⚠ Note: The cushions have been vacuum packed for transportation purposes. After unpacking, please allow up to 72 hours so that it can return to its original shape.

STEP 8:

Place Seat Cushion **E** x 2, Back Cushion **F** x 2 and Pillow **G** x 2 onto the sofa.



Helpful Hints

- Move your new furniture carefully, with two people lifting and carrying the unit to its new location.
- Your furniture can be disassembled and reassembled to move.
- Clean the product with a soft damp cloth. DO NOT use harsh chemicals or abrasive cleaners.
- For further information please contact at sales4@jsanyee.com

