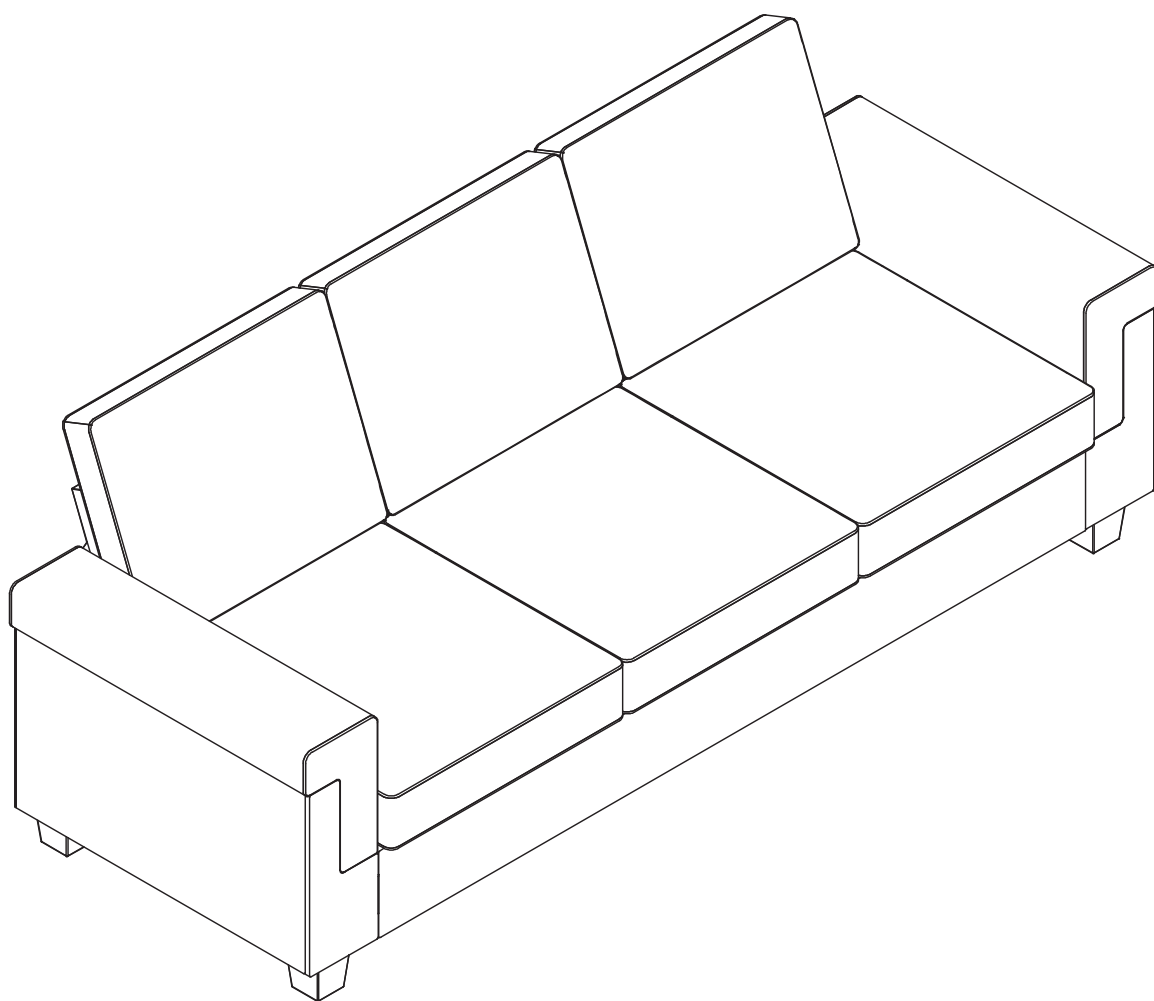


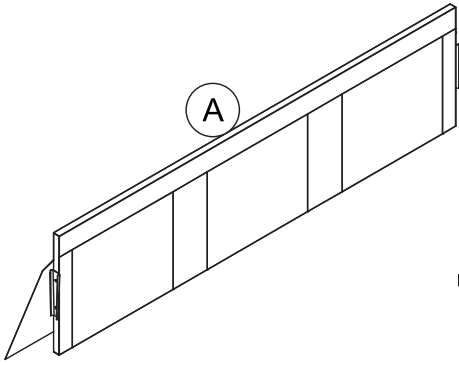
# ASSEMBLY INSTRUCTIONS



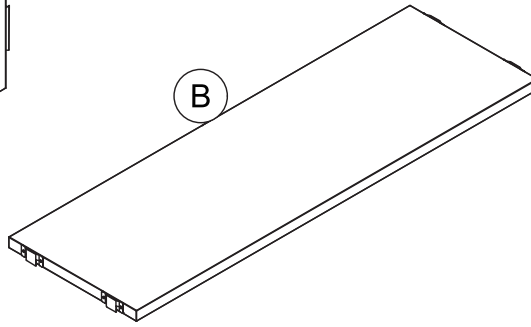
**X3901**

**Sofa & Couch**

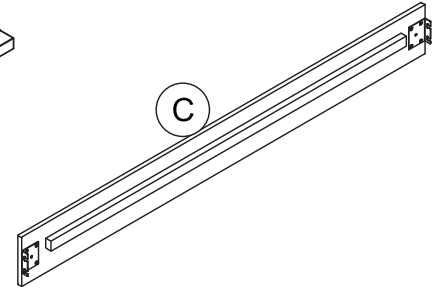
# PARTS LIST



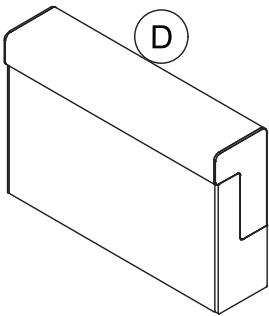
Backrest  
1 PC



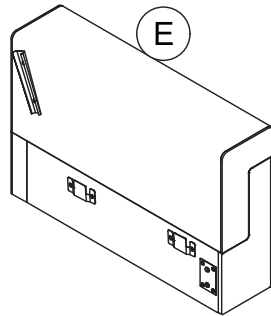
Seat Panel  
1 PC



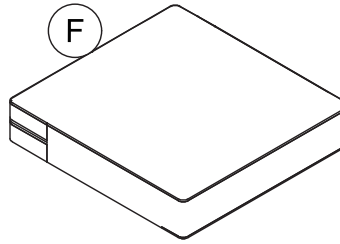
Front Rail  
1 PC



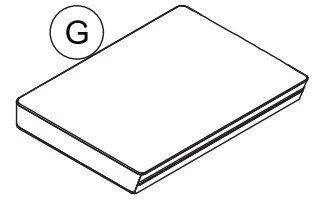
Armrest  
1 PC



Armrest  
1 PC



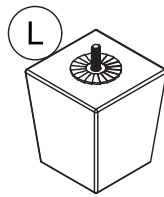
Seat Cushion  
3 PCS



Back Cushion  
3 PCS



Support Leg  
1 PC



Leg  
4 PCS

Weight Limit: 700 lb / 317 kg

Thank you for purchasing our product! We guarantee that the materials and craftsmanship of this product are defect-free!

## Please Read Before Starting Assembly

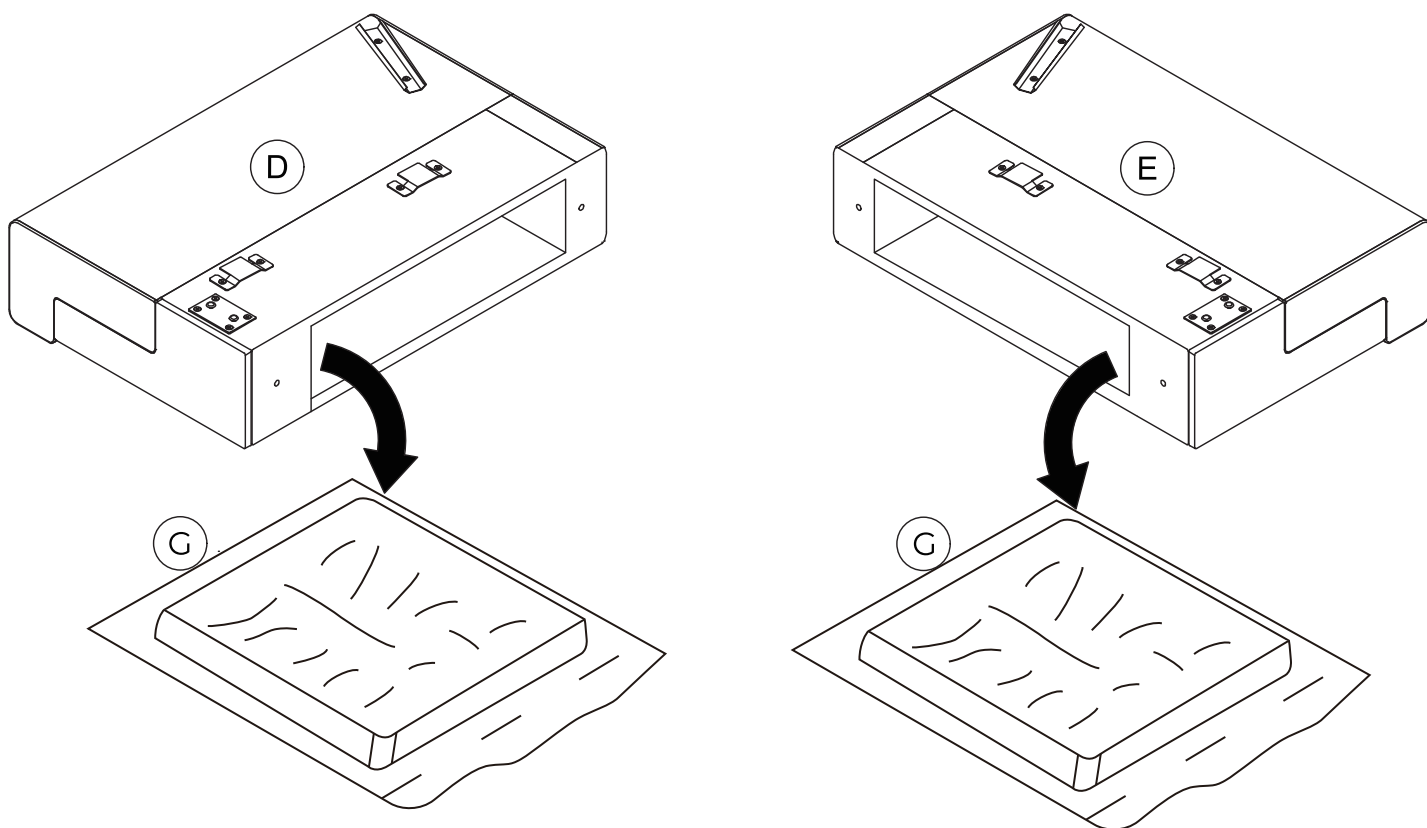
1. Follow the assembly Steps one by one, and do not skip any Steps.
2. Assemble the product in a spacious area, keeping a safe distance from infants and children. It's advisable to place protective packaging on the floor before assembly to safeguard your flooring and the product.
3. Thoroughly check to ensure that all connections (screws, bolts, etc.) are properly tightened.
4. If the product requires two or more people to assemble, do not attempt to install it alone, as it could pose a threat to your personal safety.

## Caution

1. The product you purchased may have slight variations in appearance compared to the illustrations in the assembly instructions.
2. The packaging contains plastic bags; please keep these plastic bags out of the reach of infants and children. Avoid assembling near cribs, beds, infants, or children. The thin film of these bags can adhere to the mouth and nose, leading to suffocation. After removing the product, please dispose of the plastic bags immediately or use other packaging materials. Do not reuse these plastic bags.

## Step 1

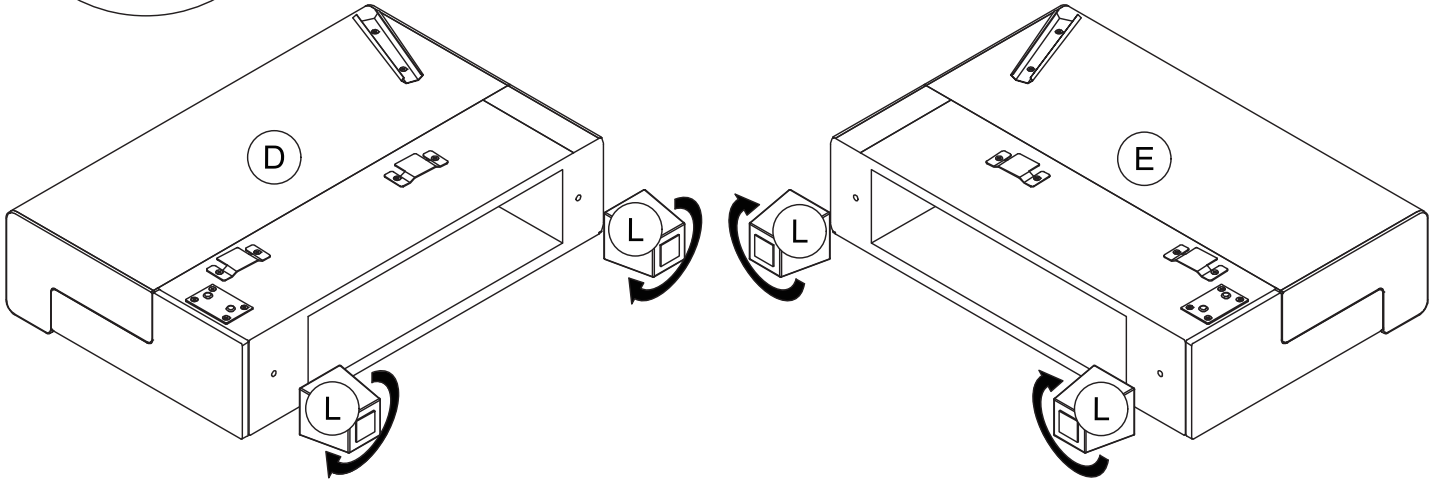
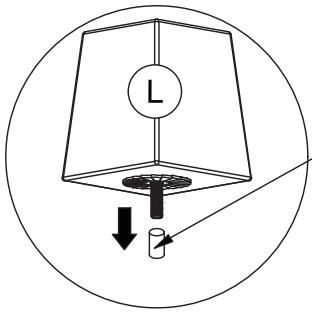
Some parts will be found in the compartment under the arm, as shown.



## Step 2

Place all parts on a clean, smooth surface.  
Manually screw legs **L** × 4 to Armrests **D** & **E**, as shown.

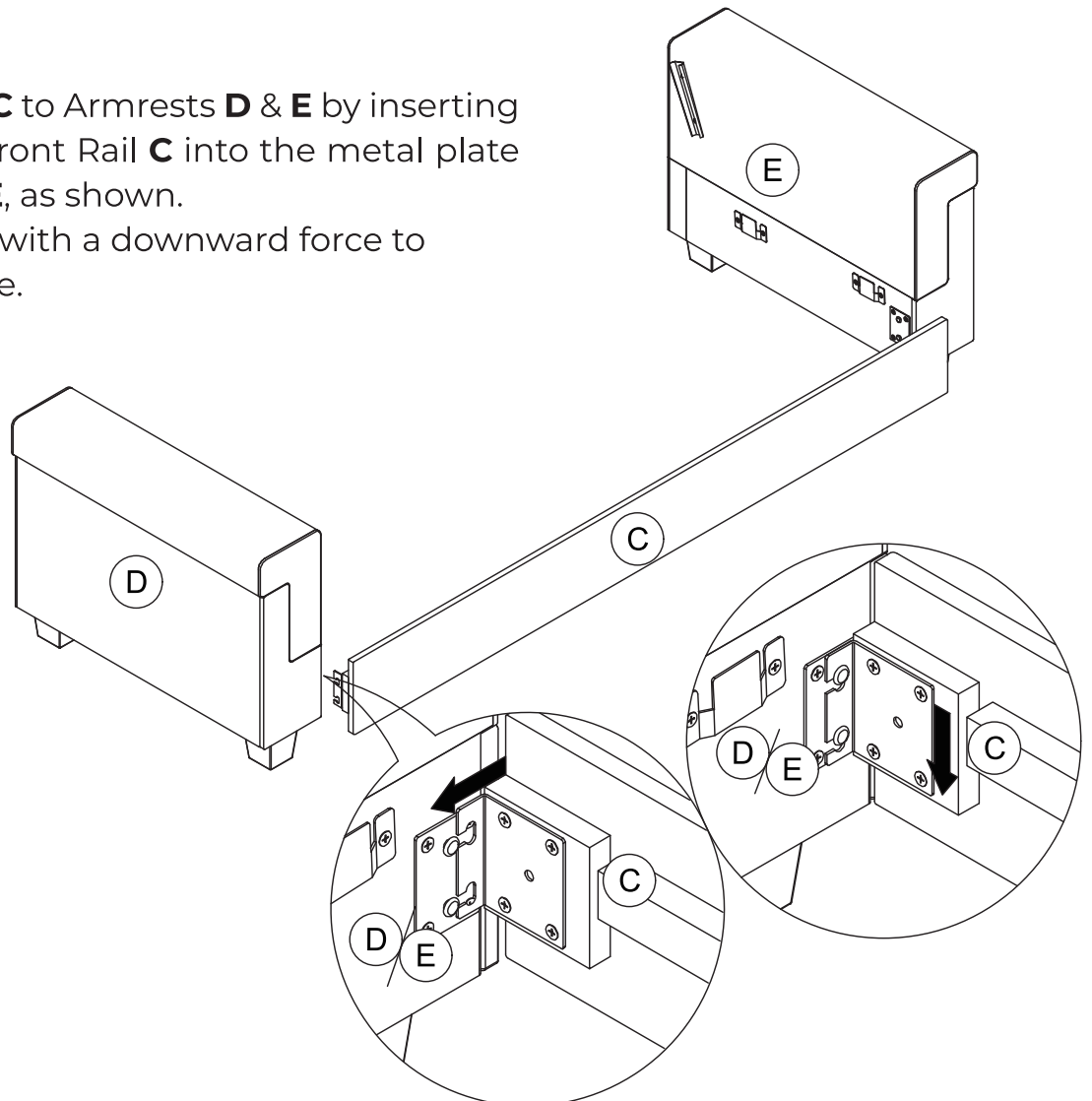
⚠ Please remove the protective cap on the tip of thread before assembling.



## Step 3

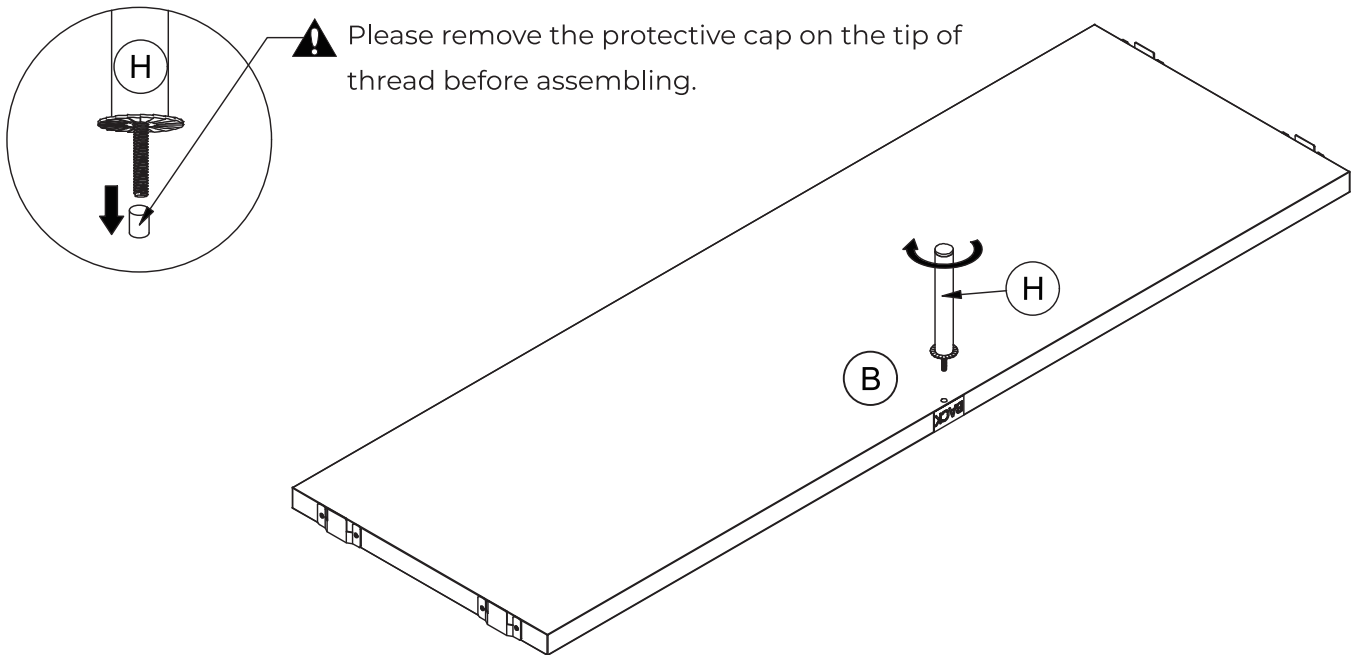
Attach Front Rail **C** to Armrests **D** & **E** by inserting the brackets on Front Rail **C** into the metal plate on Armrests **D** & **E**, as shown.

Push Front Rail **C** with a downward force to secure it into place.



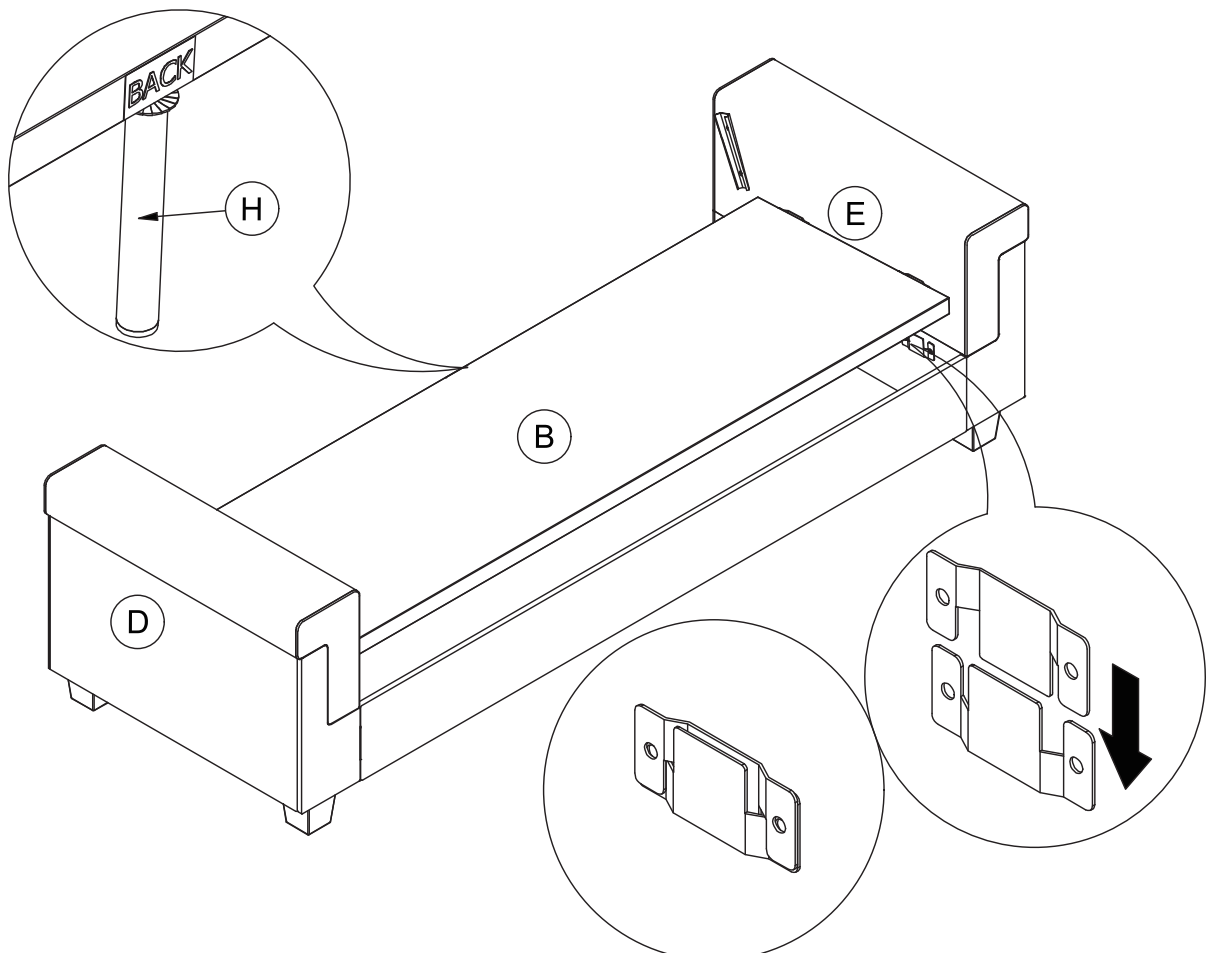
## Step 4

Manually screw Support Leg **H** to Seat Panel **B**, as shown.



## Step 5

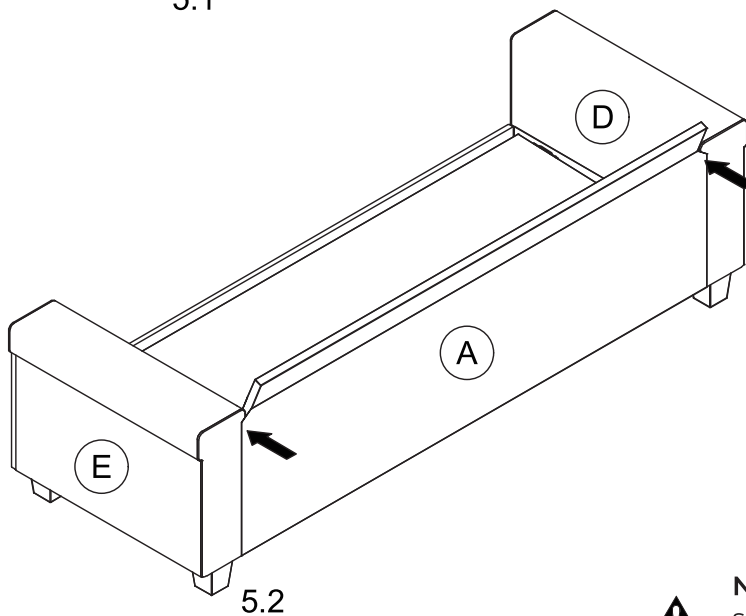
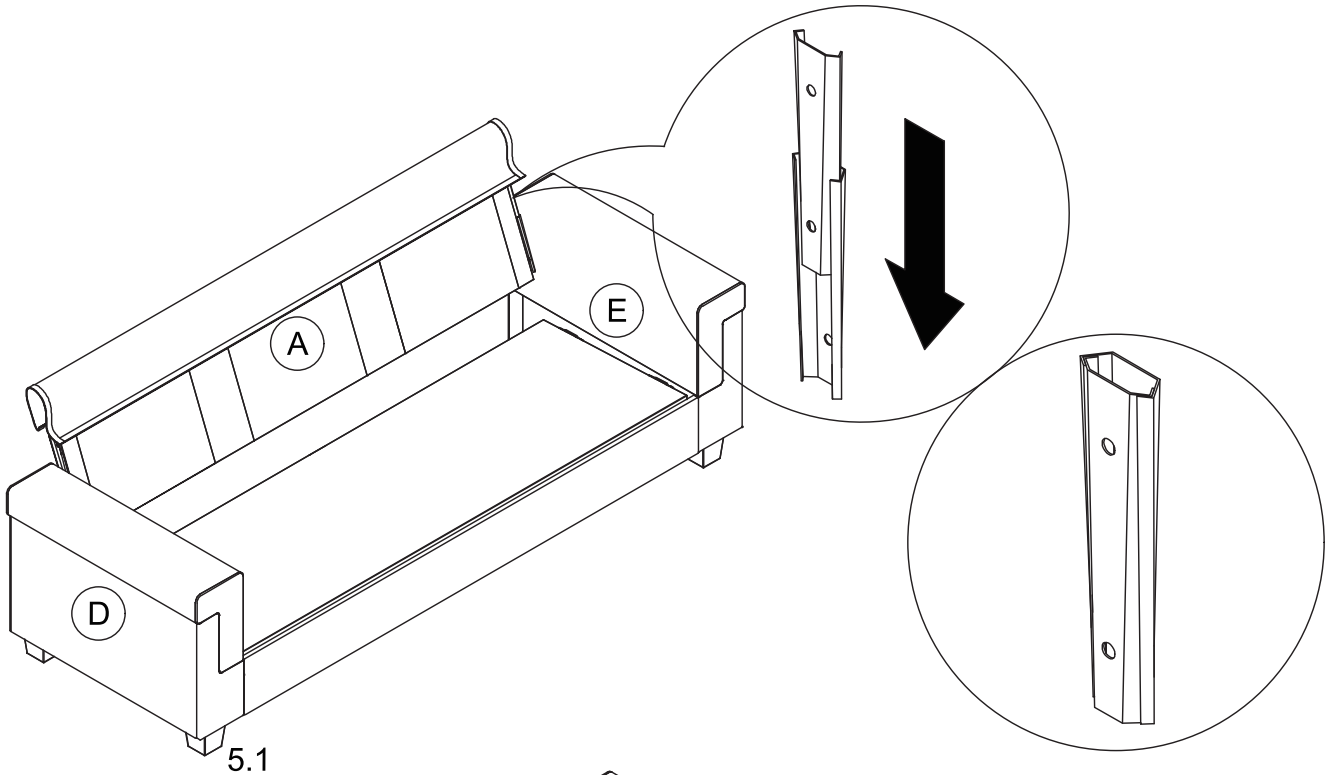
Attach Seat Panel **B** to Armrests **D** & **E** by inserting the metal brackets on Seat Panel **B** into the metal glides on Armrests **D** & **E**, as shown. Push Seat Panel **B** with a downward force to secure it into place.



## Step 6

5.1 Attach Backrest **A** to Armrests **D** & **E** by inserting the brackets on Backrest **A** into the metal glides on Armrests **D** & **E**. Push Backrest **A** with a downward force to secure it into place.

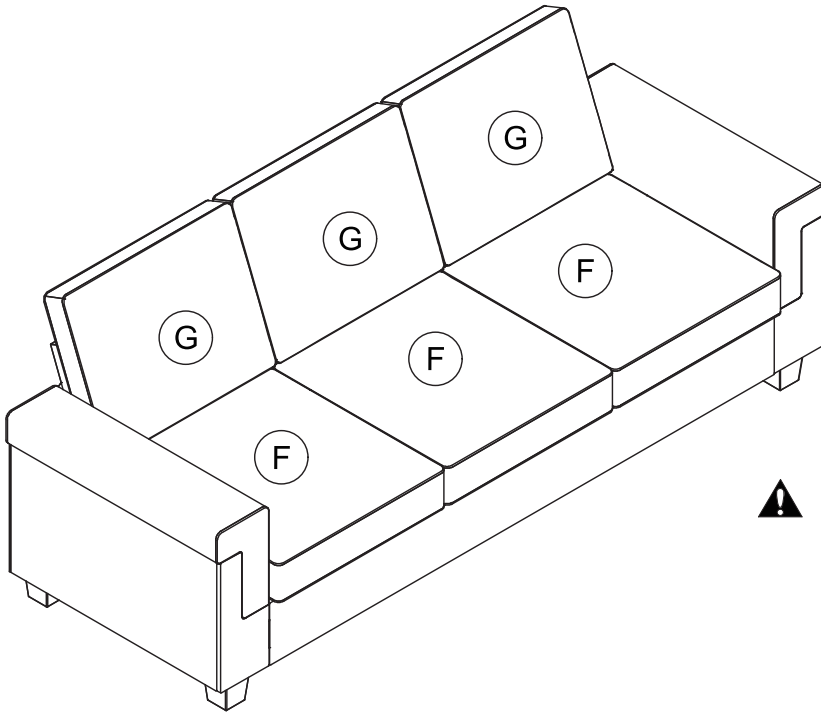
5.2 Secure the fabric flap on Backrest **A** to Armrests **D** & **E** using the hook and loop fastener strips.



**⚠ Note:** Both sides must be inserted at the same time. This step is best performed with 2 people.

## Step 7

Remove the cushions from their vacuum sealed package. Place Seat Cushions **F**×3 & Back Cushion **G** × 3 onto the sofa.



**Note:** The cushions have been vacuum packed for transportation purposes. After unpacking, please allow up to 72 hours so that they can return to their original shape.

# DONE!



Weight Limit: 700 lb / 317 kg

## Care Instructions

1. Some of the product's upholstery have been vacuum-compressed for transportation. They may take approximately 72 hours to regain their original shape.
2. When cleaning the product, use a soft cloth to gently clean it or use professional cleaning supplies. Do not use chemical agents or abrasive cleaners to wipe the product.
3. During use, do not exceed the maximum weight-bearing capacity of the product. Exceeding this limit may cause damage to the product or pose a risk of personal injury.
4. For safety reasons, do not leave infants alone on the product to prevent unnecessary harm such as suffocation.
5. If you need to move the product, do so with two or more individuals and carefully relocate it to a new area. Additionally, this product can be disassembled and reassembled if needed.