



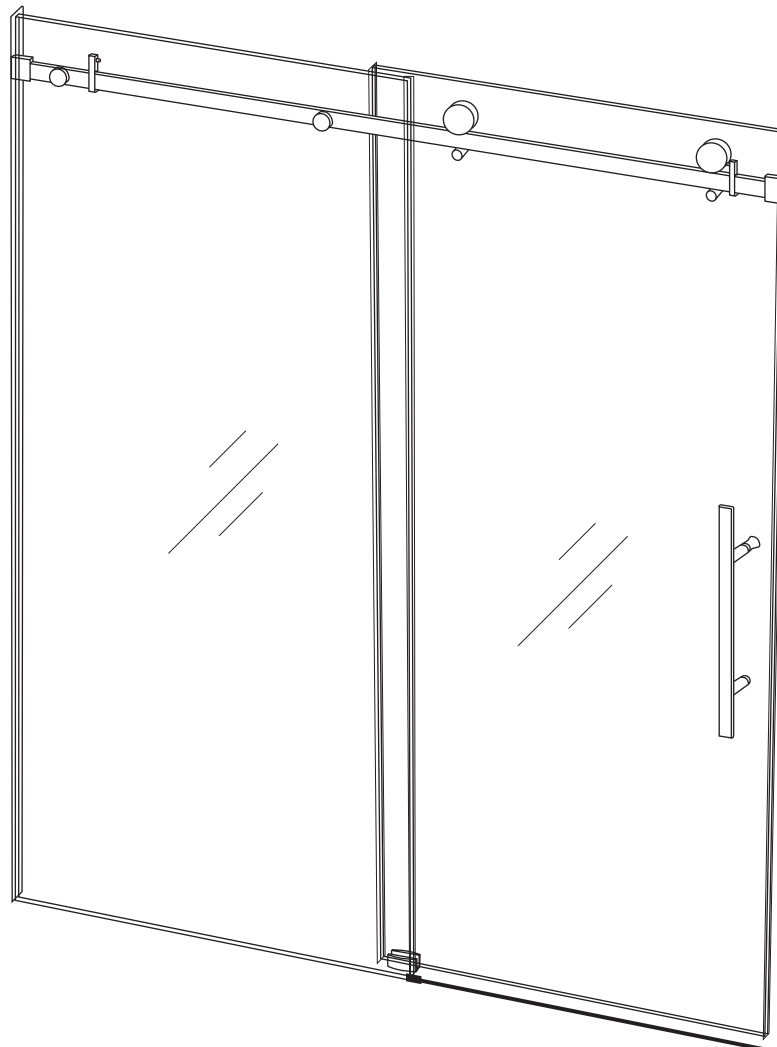
626-679-3588
service@getprohome.com
www.getprohome.com
162 Atlantic St, Pomona, CA 91768

INSTALLATION VIDEO

INSTALLATION MANUAL

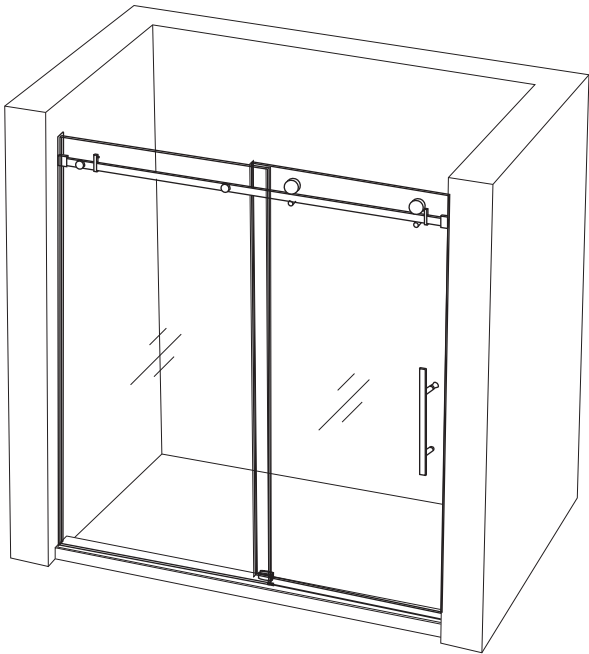
SHOWER DOOR

Model K

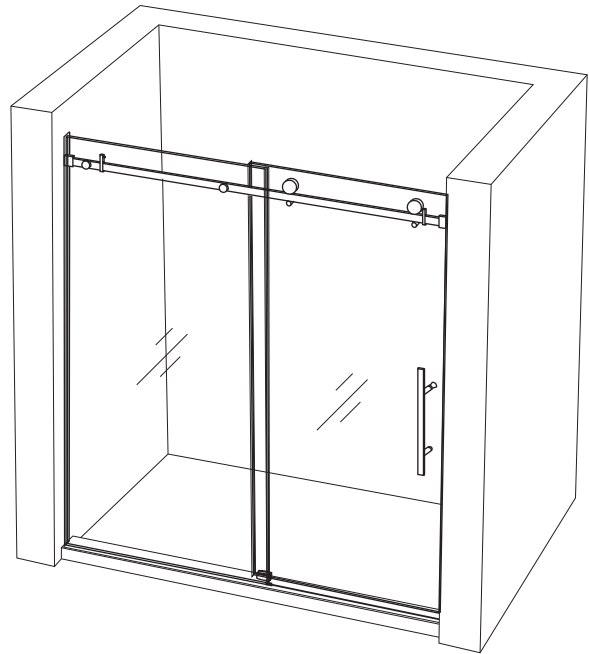


AVAILABLE SIZES

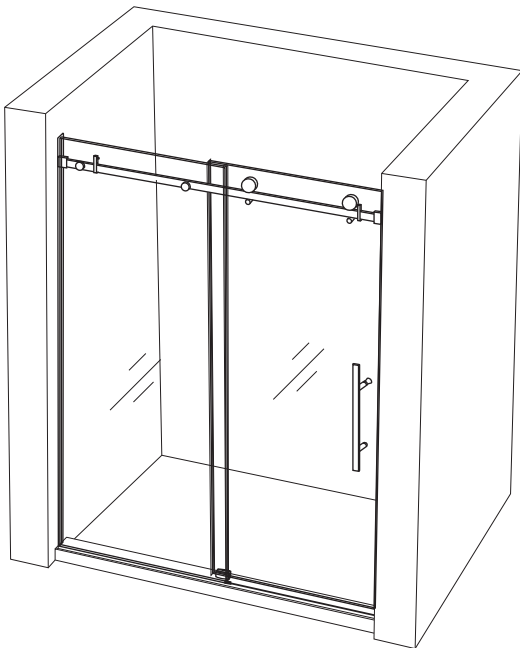
Color Options: Brushed Nickel / Matte Black
Brushed Gold / Chrome



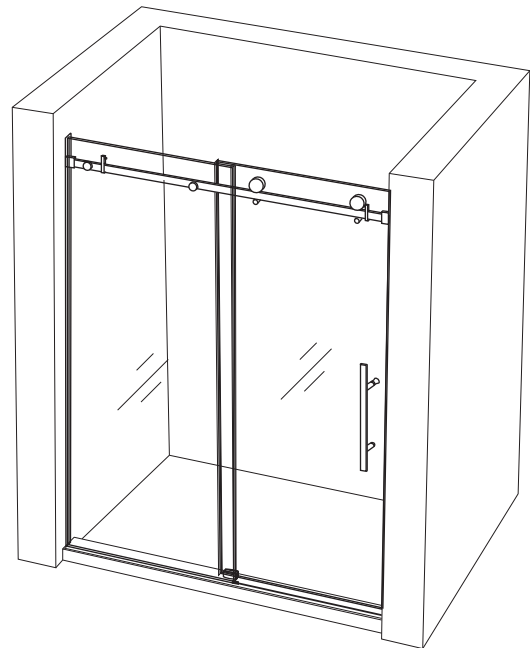
72" W x 76" H



60" W x 76" H



54" W x 76" H



48" W x 76" H

THANK YOU!

Dear Valued Customer,

Thanks to your kind support of BESTGO, we hope our product can improve the quality of your life.

As our valued customer, your comments and opinions are very important to us. If you have any concerns, questions, or comments, we hope that you will bring them to our attention.

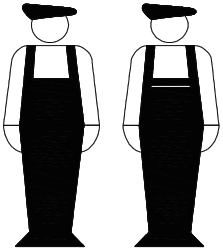
Please keep the carton and packaging materials until your product is completely installed.

Feel free to contact us if you encounter any problems such as missing parts, or product defects during the installation process. We are happy to provide you with the most sincere service.

*Sincerely,
BESTGO Service Team*

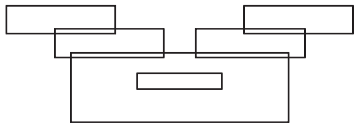


Please read all instructions carefully before installation.



Due to the complexity of the installation process, professional plumbers are recommended.

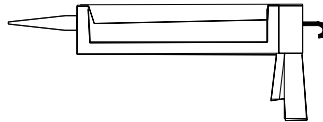
Required Tools



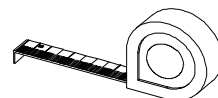
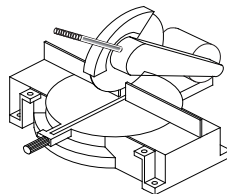
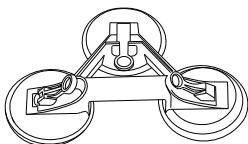
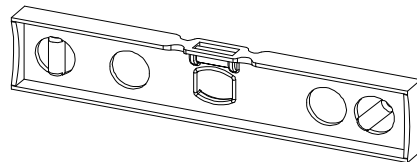
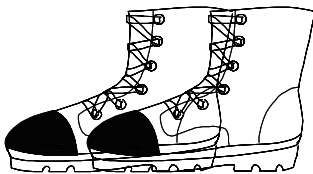
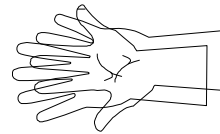
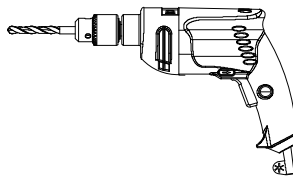
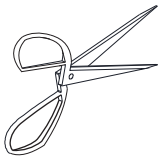
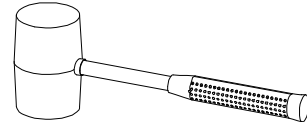
∅ 1/8"

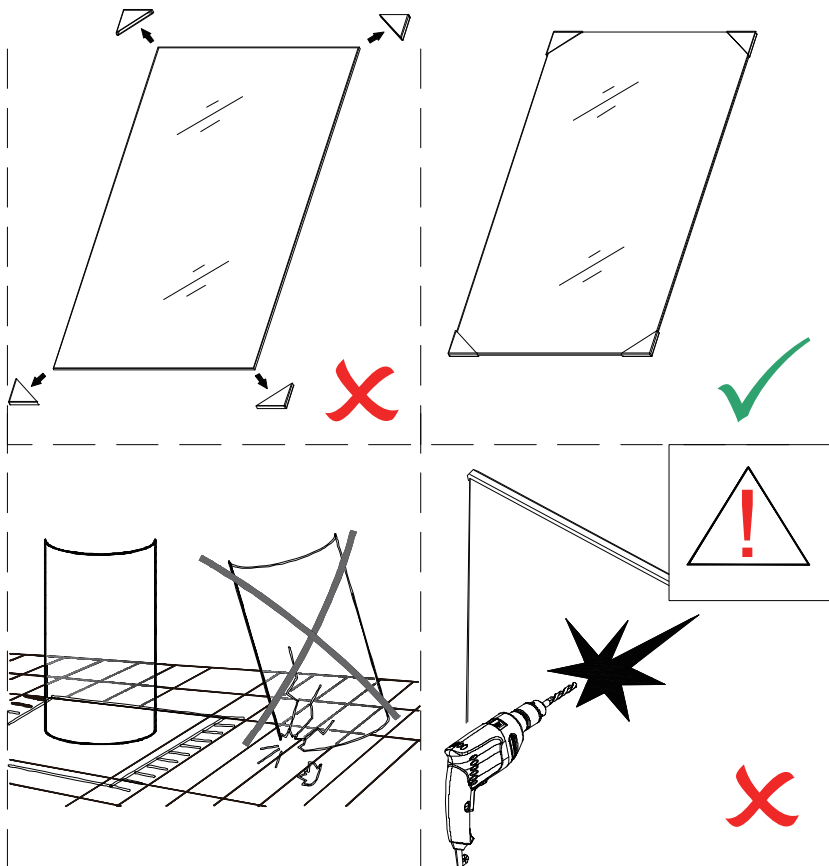
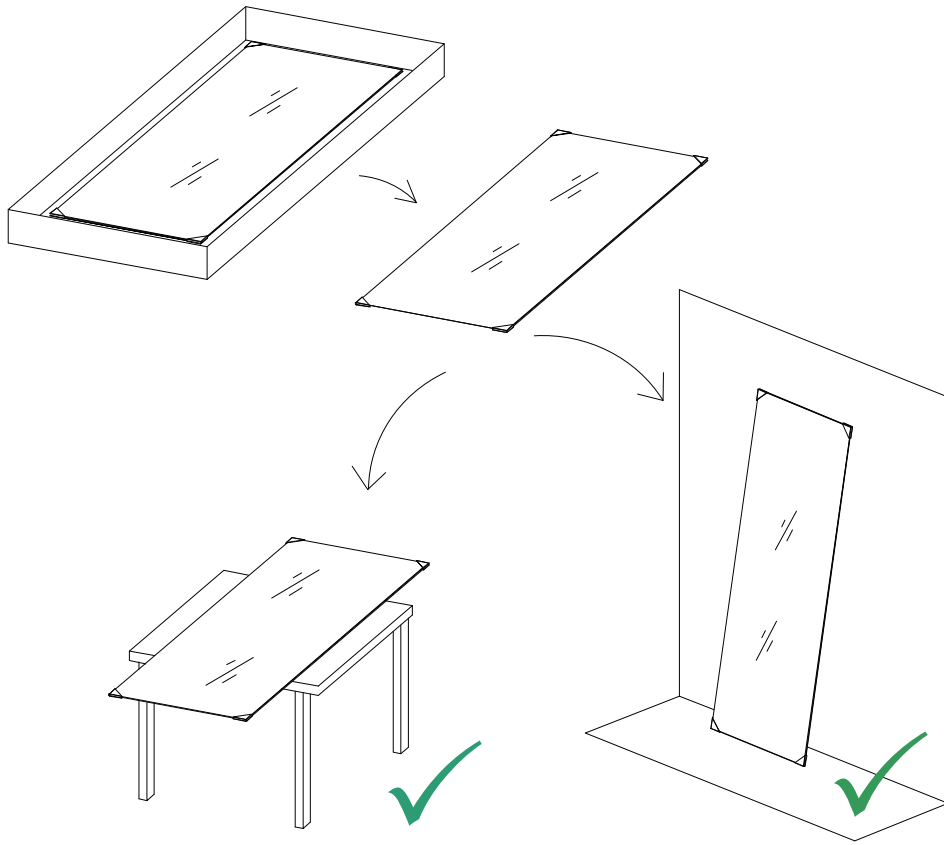


∅ 1/4"

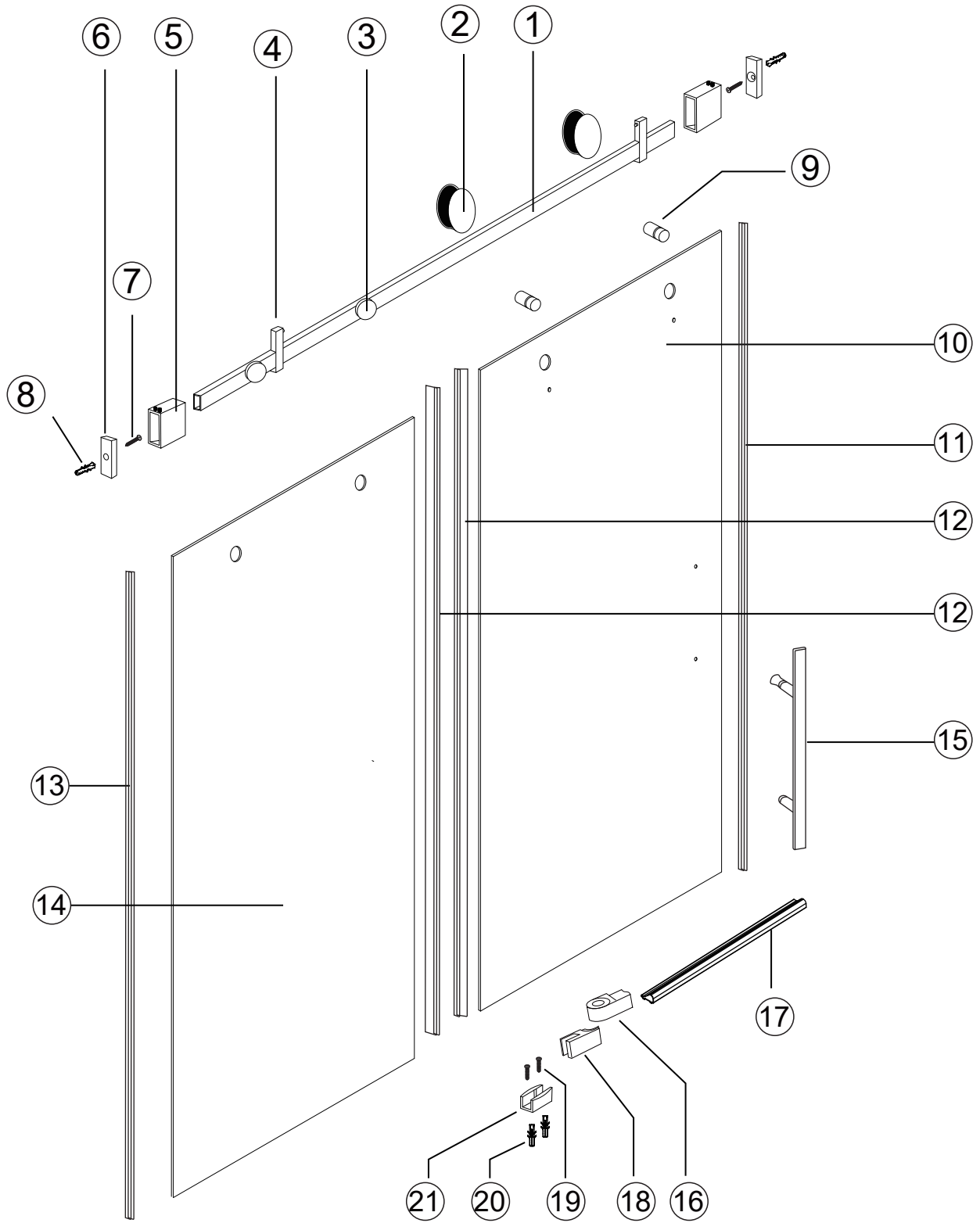


∅ 5/16"










EXPLOSION FIGURE



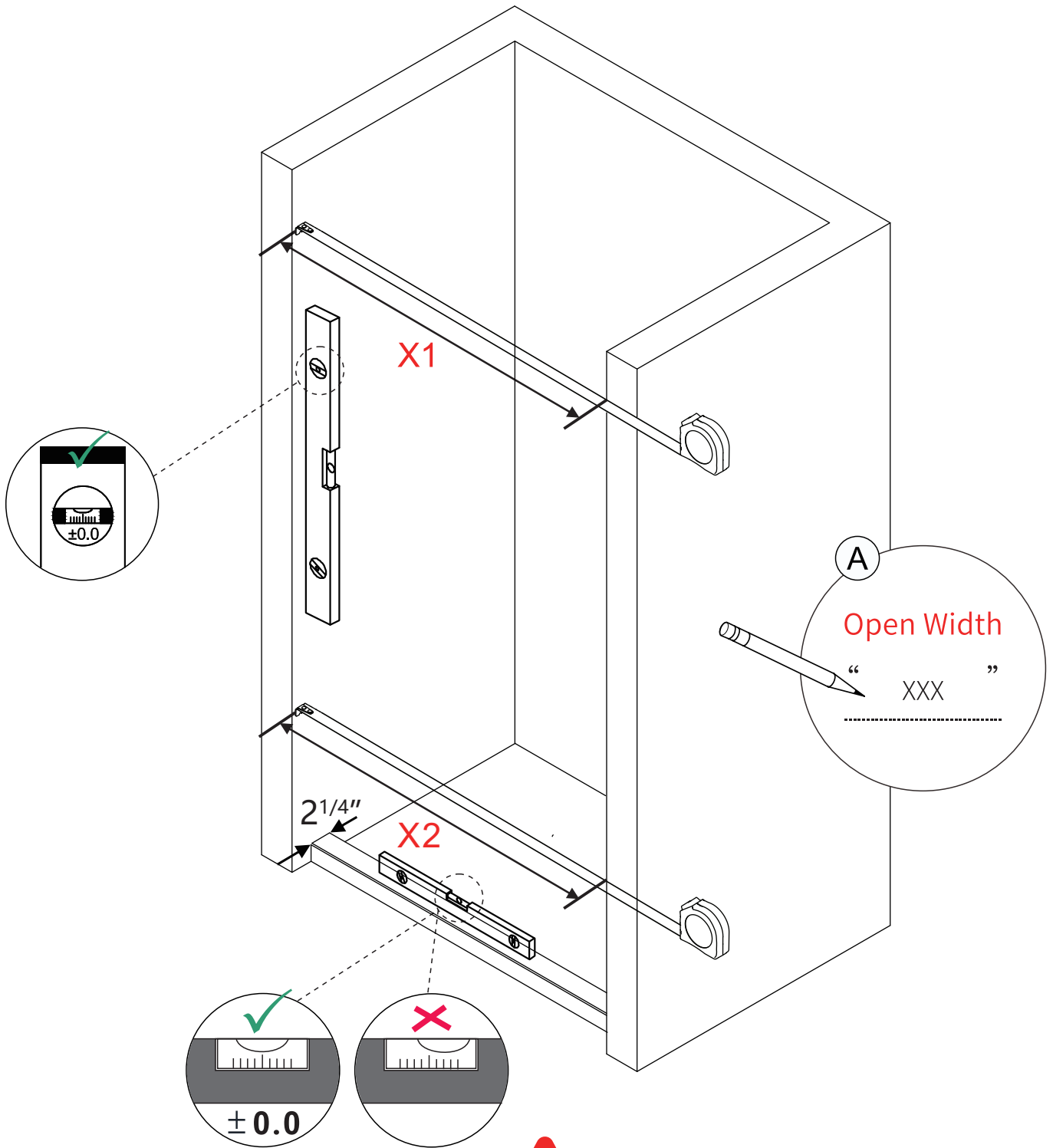
ACCESSORY TOOLS

No.	Picture	Description	QTY(PC)
①		Upper Guide Rail	1
②		Roller	2
③		Stationary Glass Bracket	2
④		Glass Door Stopper	2
⑤		Support Rod	2
⑥		Rail Bracket	2
⑦		Screw M6X40	4
⑧		Wall Anchor	4
⑨		Anti Jumping Knob	2
⑩		Sliding Glass	1
⑪		Anti-Water H1 Strip	1
⑫		Anti-Water F Strip	2
⑬		Anti-Water H2 Strip	1
⑭		Fixed Glass	1
⑮		Handle	1
⑯		Anti-splash Threshold Cover	1
⑰		Anti-splash Threshold	1
⑱		Anti-splash Threshold U Cover	1
⑲		Screw M4X30	3
⑳		Small Wall Anchor	3
㉑		Guide Block	1
㉒		POSITION TEMPLATE OF SLIDING GUIDE	⑳㉓ ㉔ ㉕
㉖		Measuring Template (No installation required): Only use to mark the height of rail brackets	

Step 1



Check the level of the wall and base.



$$X1 = X2$$



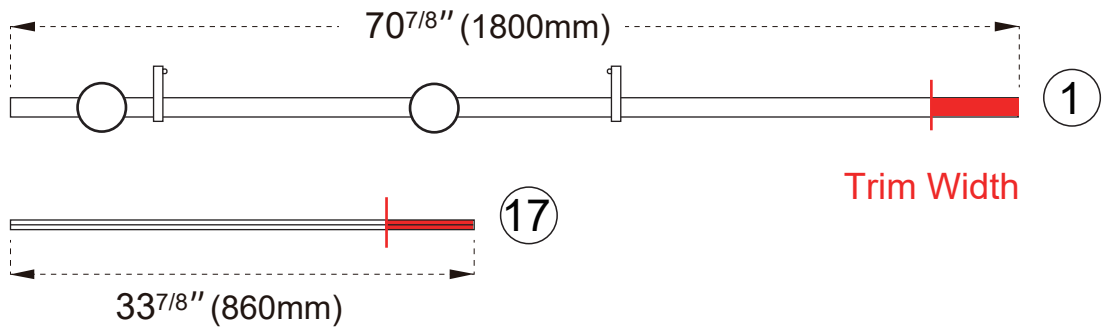
Measure the Width of X1 and X2 Carefully, make sure the width of the upper and lower walls is consistent before installation.

HOW TO TRIM THE RAIL AND THRESHOLD

Model Size

72" W*76" H

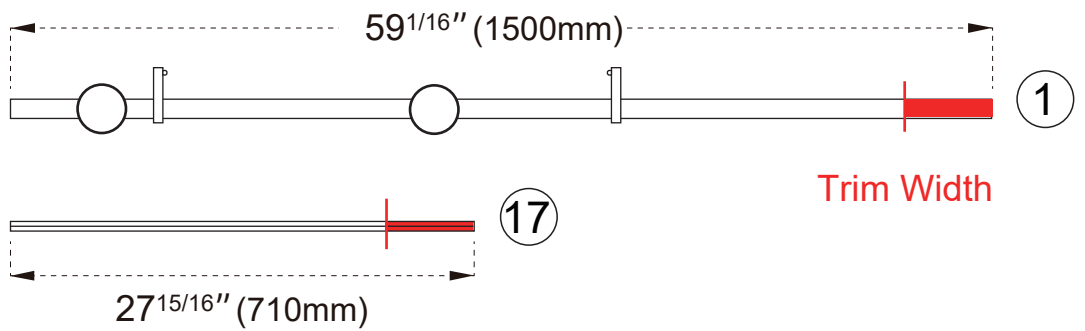
Trim Width
= 72" - Open Width



Model Size

60" W*76" H

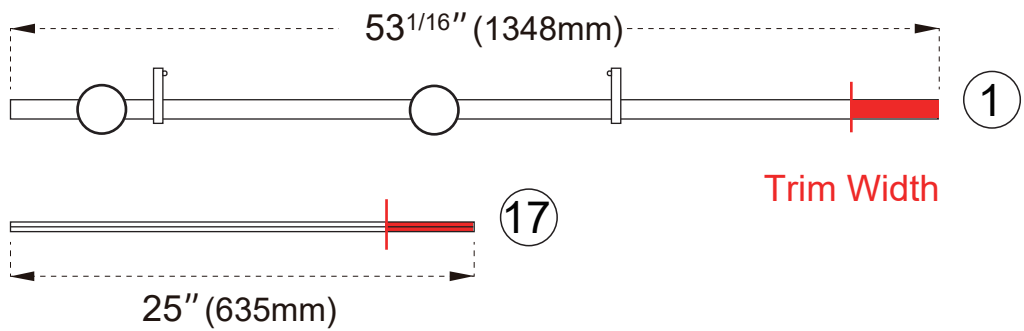
Trim Width
= 60" - Open Width



Model Size

54" W*76" H

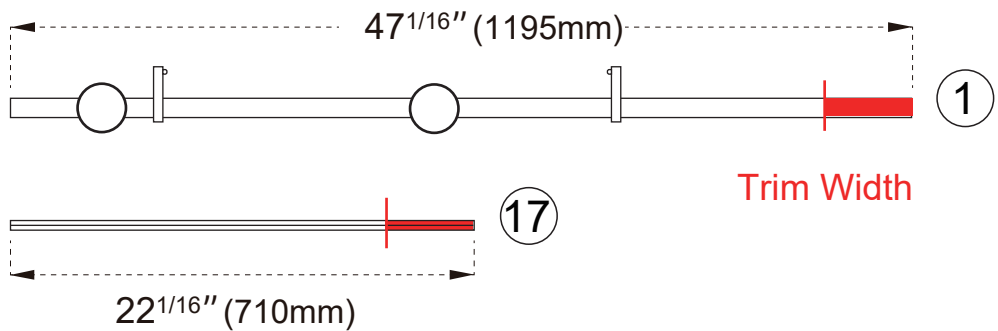
Trim Width
= 54" - Open Width



Model Size

48" W*76" H

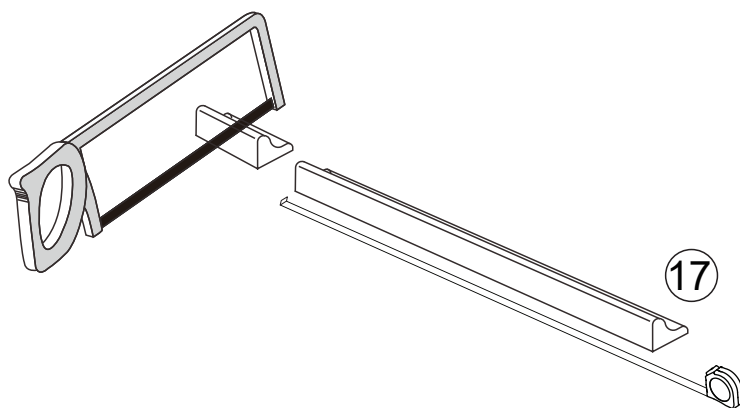
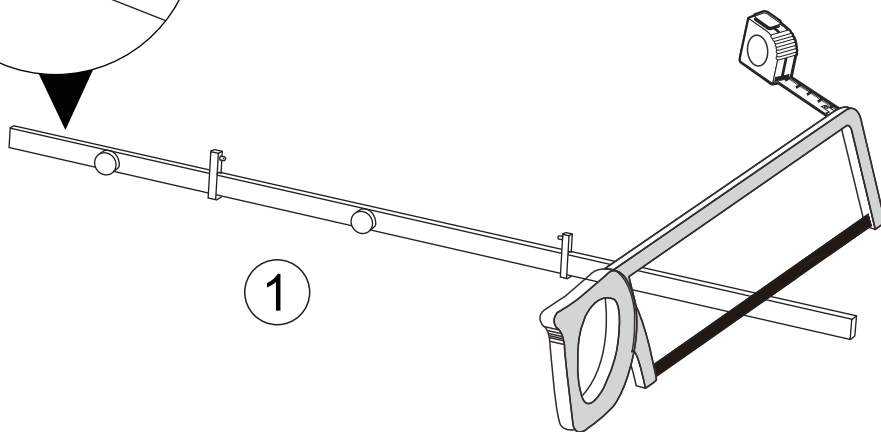
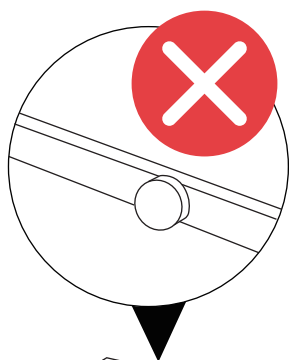
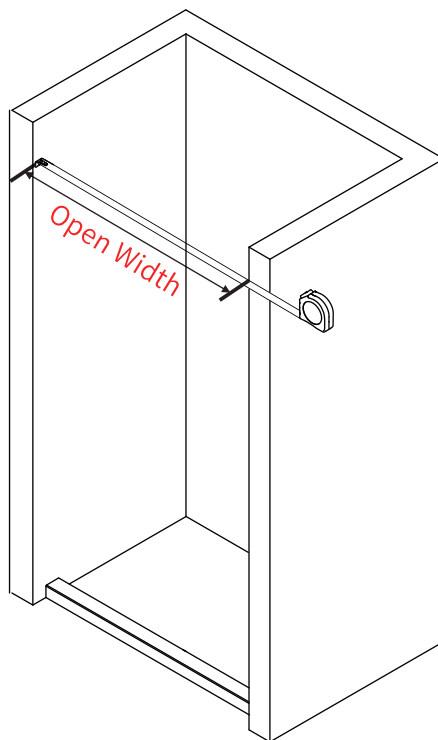
Trim Width
= 48" - Open Width



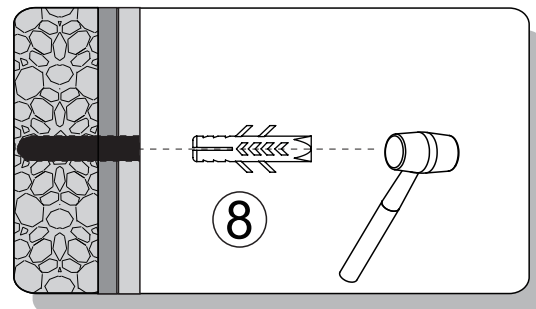
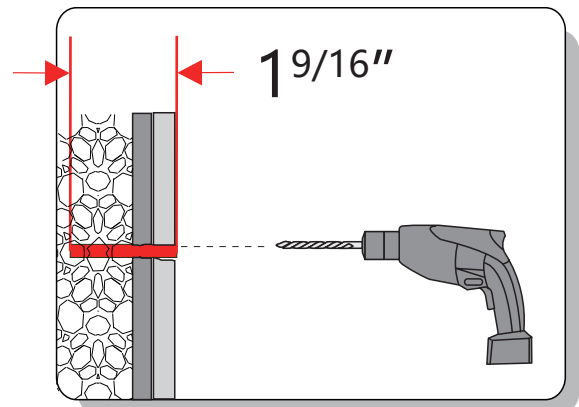
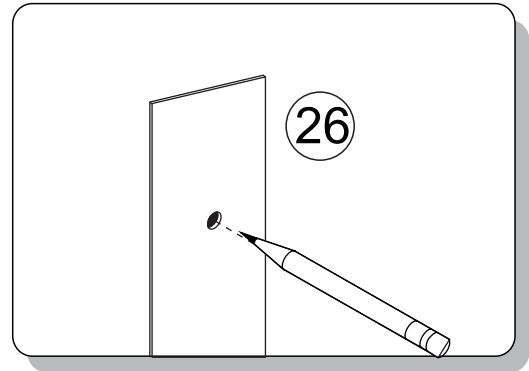
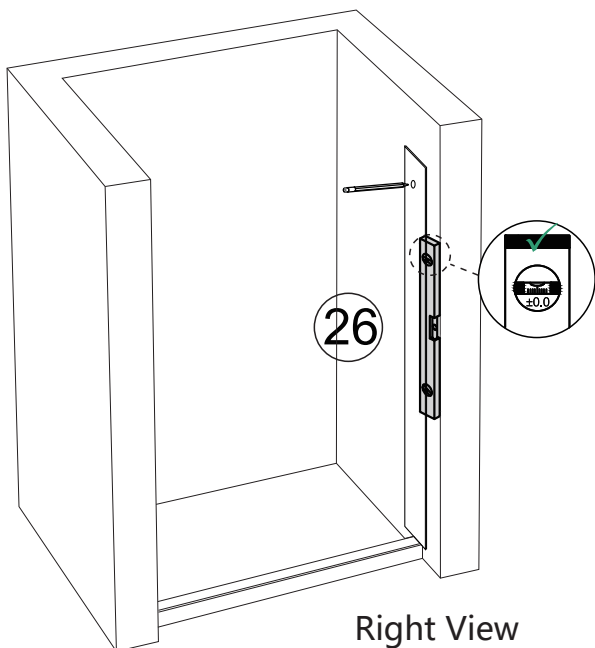
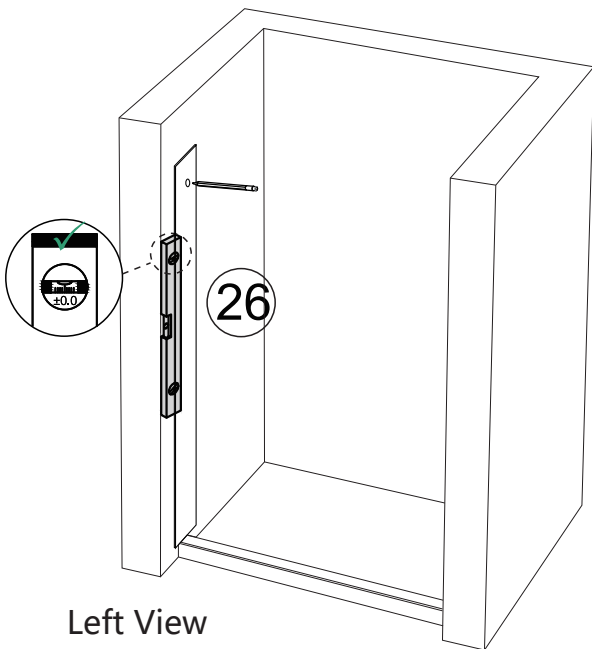
Step 2



- Only trim the end of the Upper Guide Rail (1) without hole.
- The Max. trim width is 4 inches.

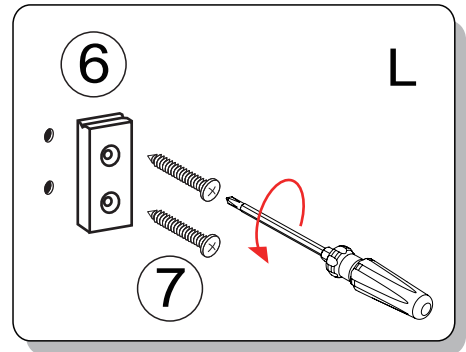
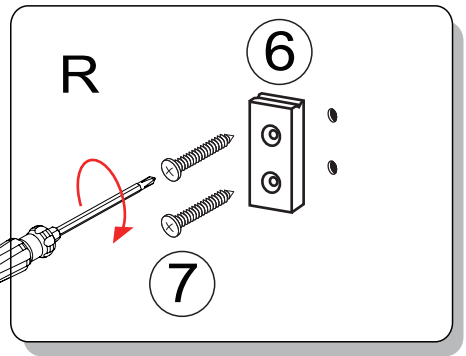
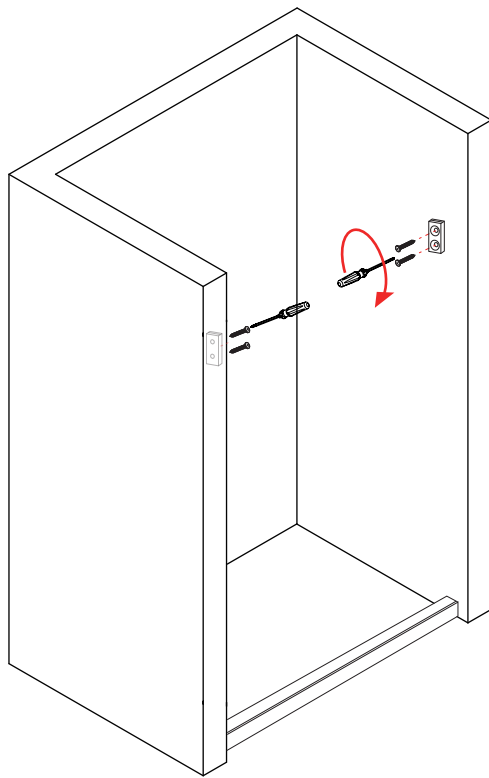


Step 3

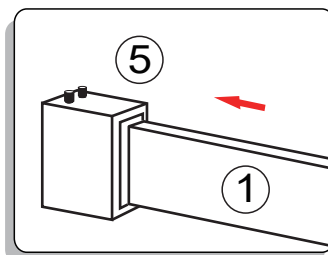
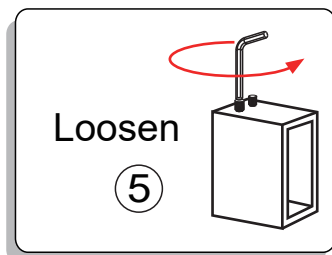
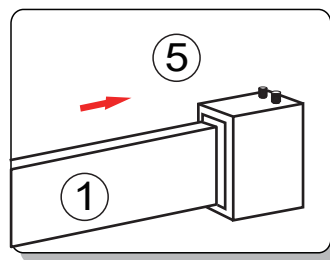
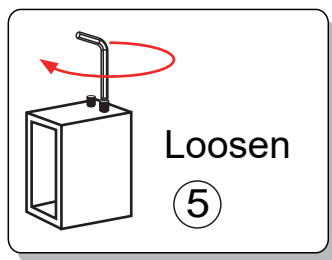
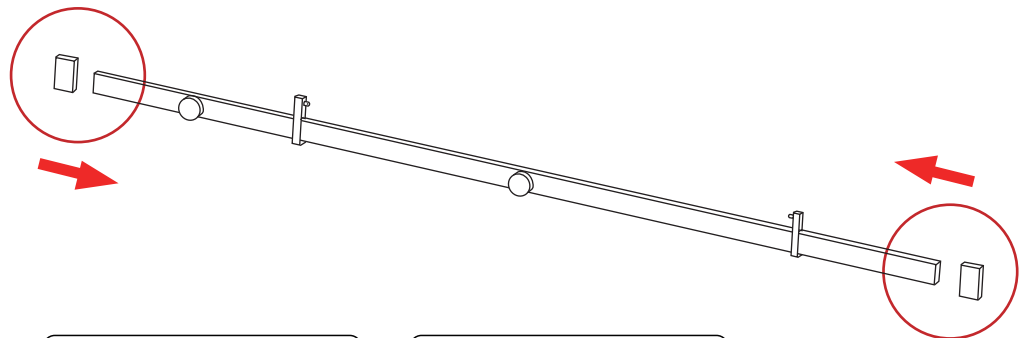


Place the Measuring Tool(#26) vertically against the wall on the base, Mark the drill points at the specified mounting height according to the holes in the Measuring Tool(#26),drill holes for the Guide Rail Brackets (#6) in the determined position, insert the wall anchors (#8) for the Guide Rail Bracket.

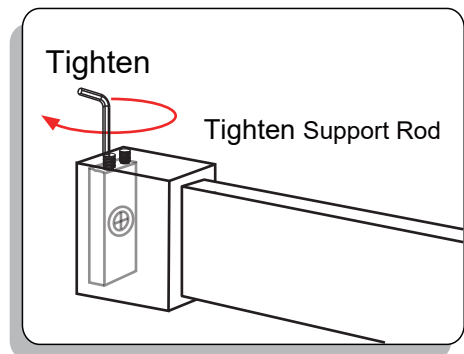
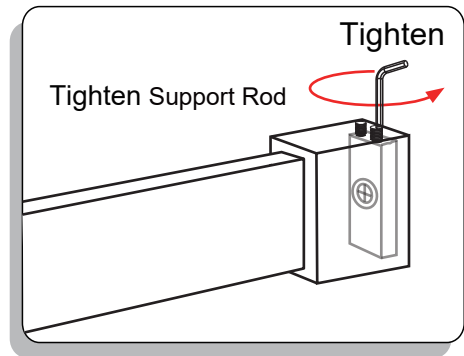
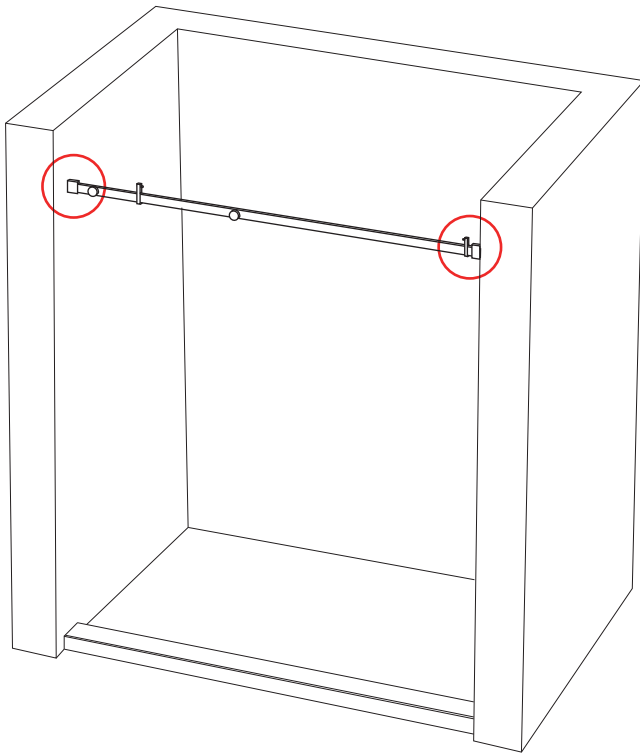
Step 4



Step 5



Step 6

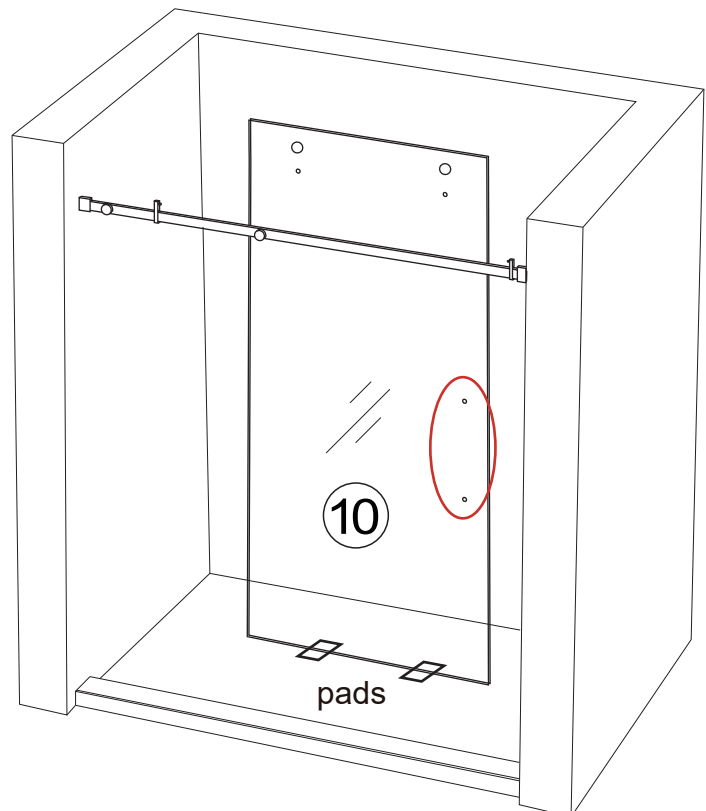


Step 7

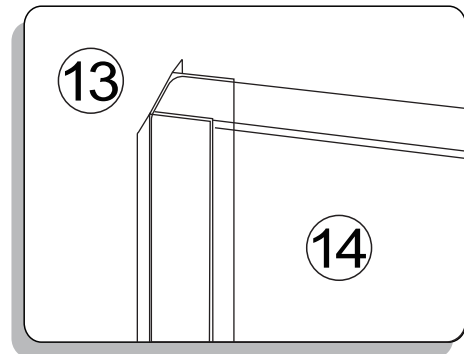
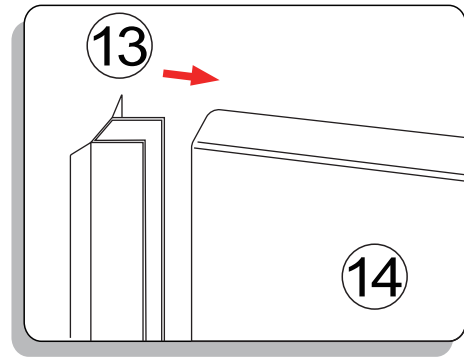
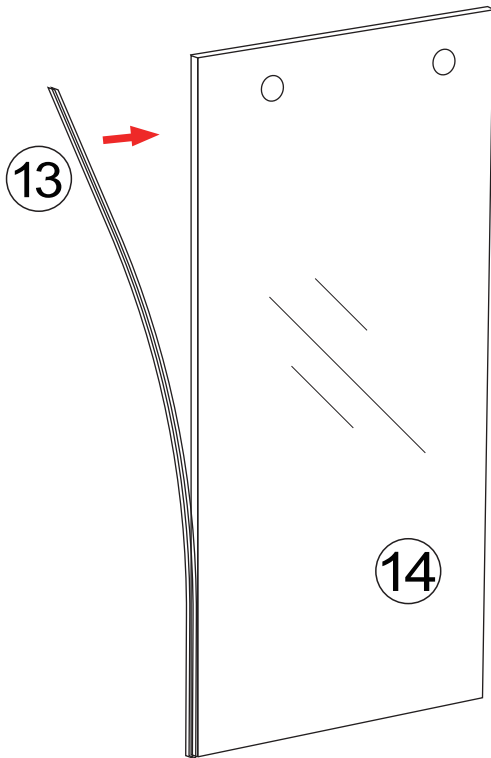
Move the sliding glass (10) into shower enclosure and put it on pads to prevent breakage.



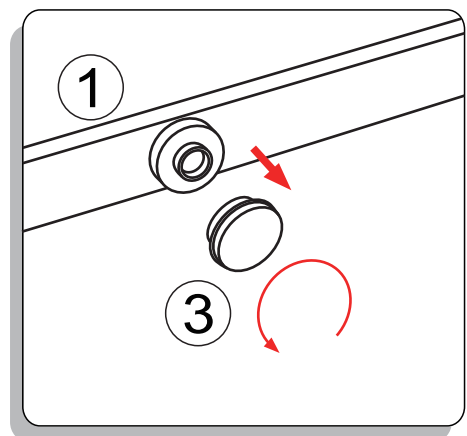
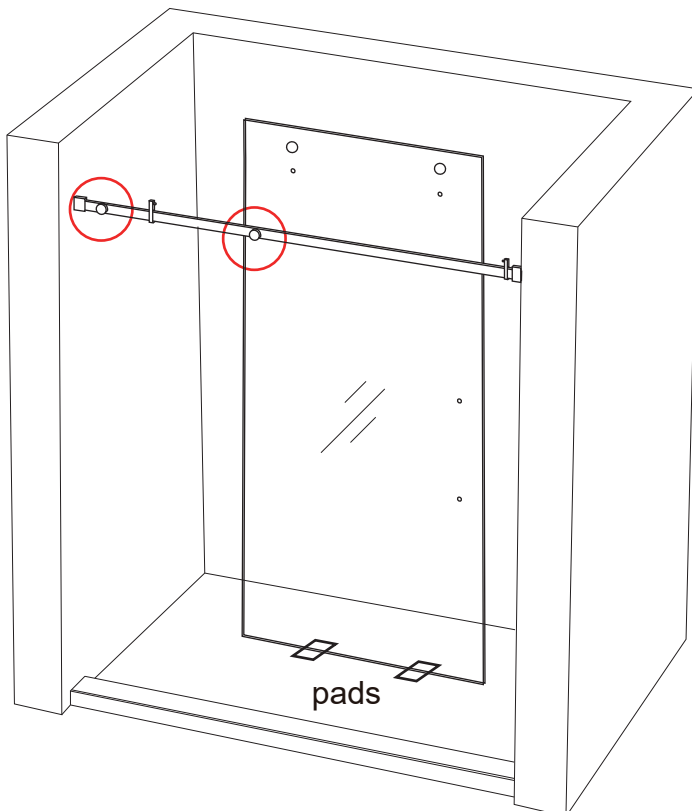
- RIGHT sliding door, the handle holes toward RIGHT
- LEFT sliding door, the handle holes toward LEFT



Step 8

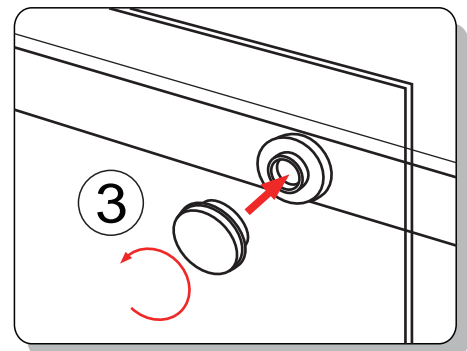
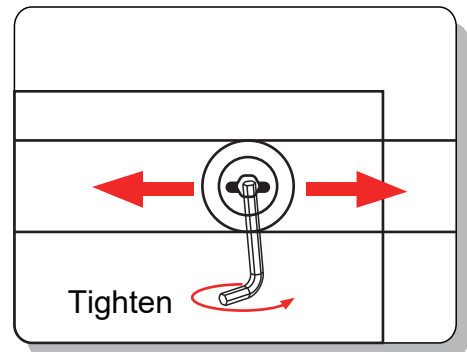
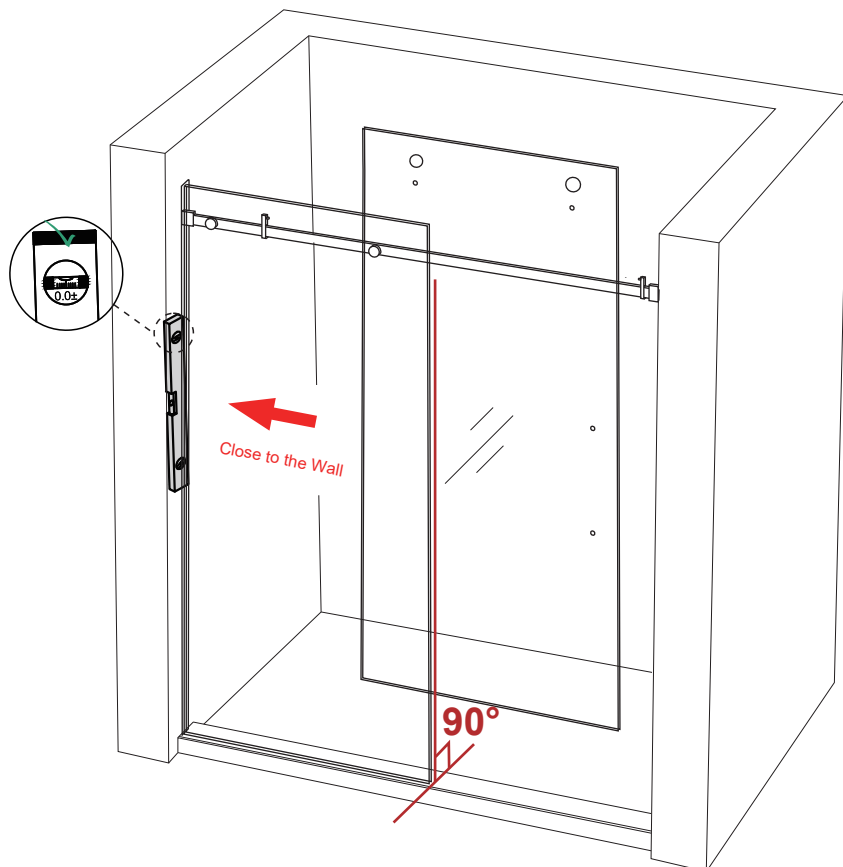
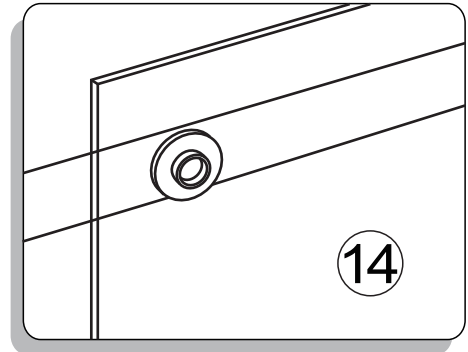
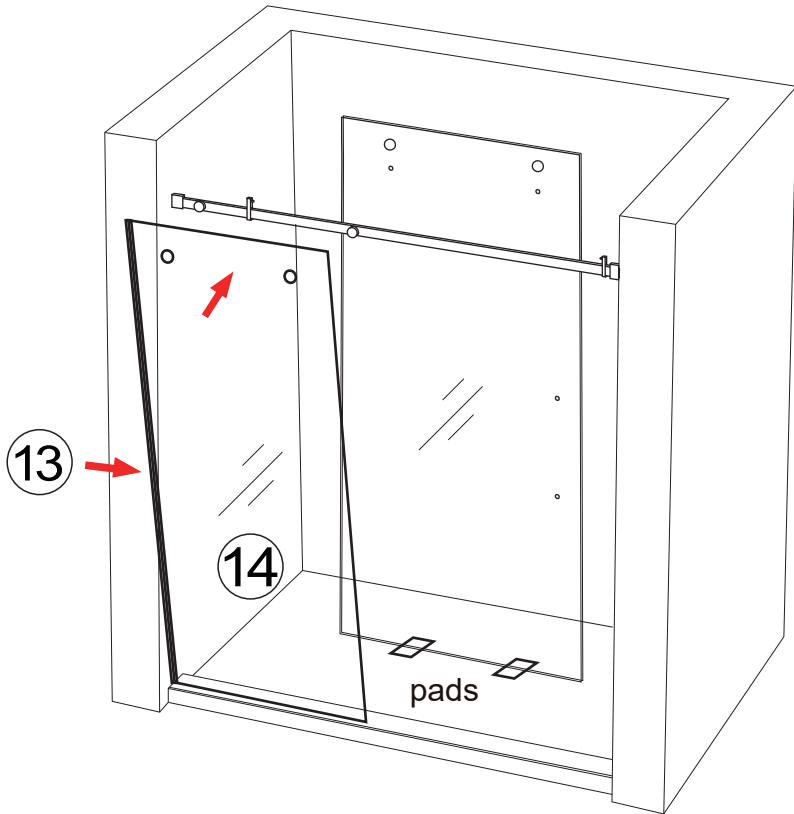


Step 9



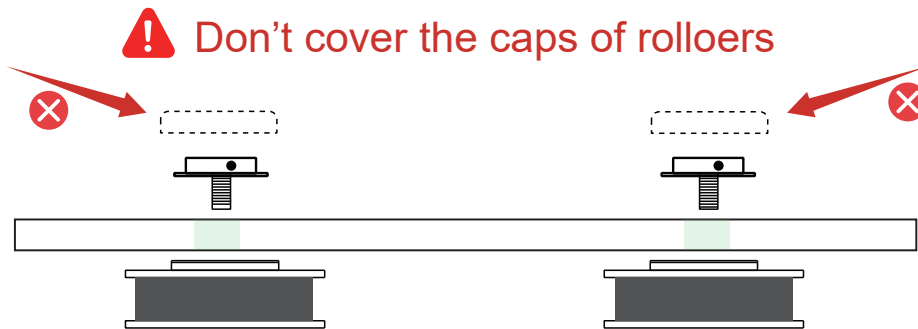
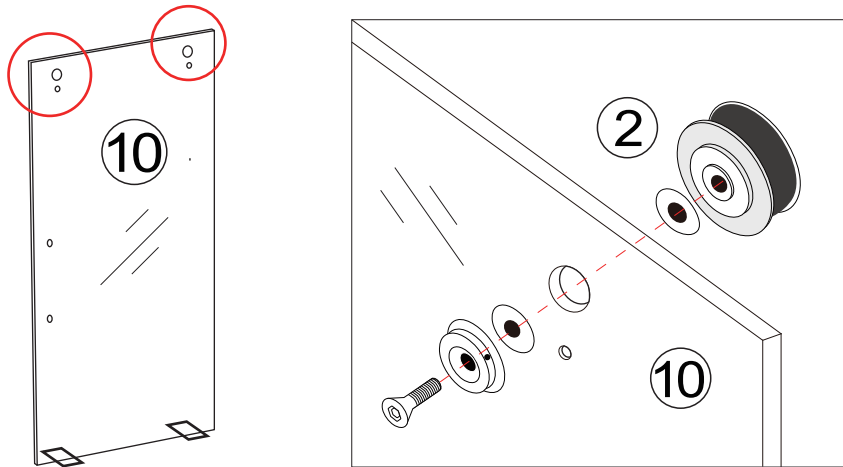
Unscrew the covers

Step 10



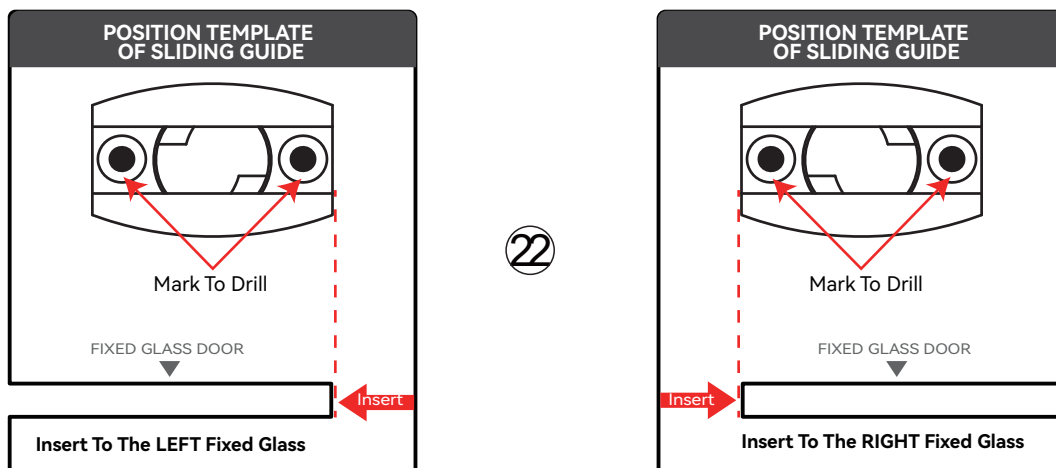
Step 11

Set the roller to sliding glass(10)



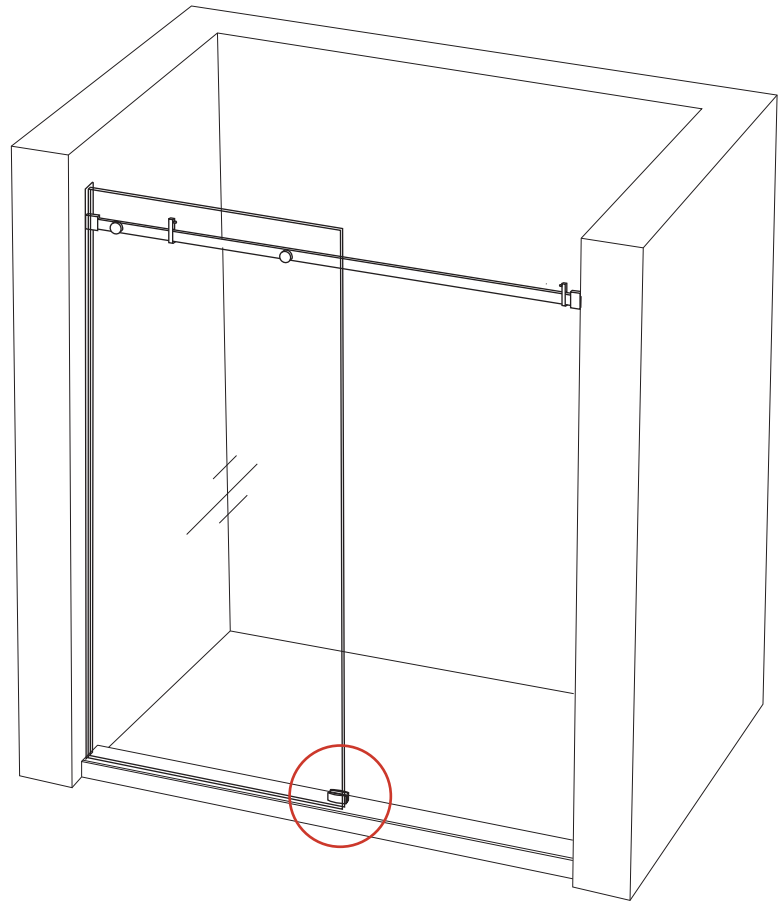
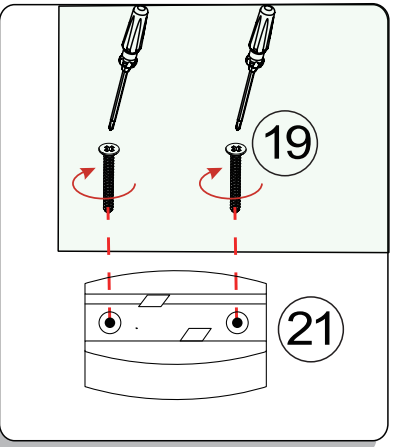
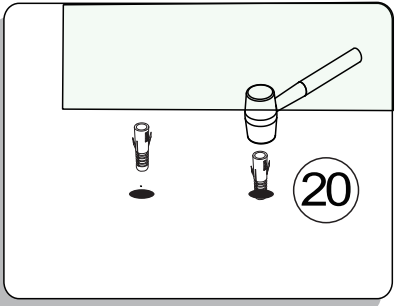
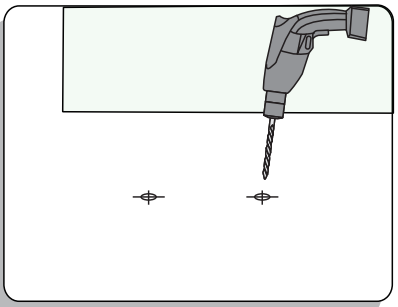
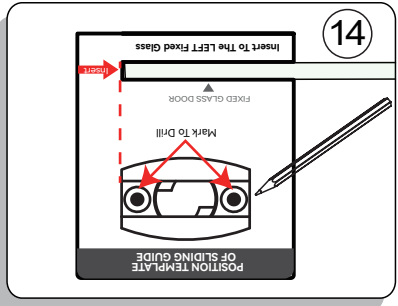
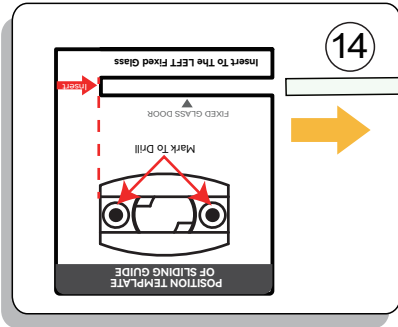
Step 12

Learn the information of Position Template 22#



Step 13

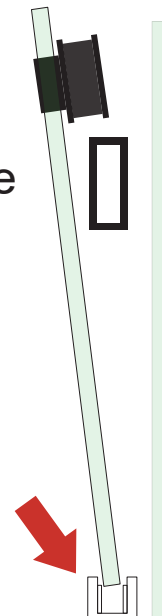
After hang the Fixed Glass (14) to the Upper Guide Rail (1), Insert the template to the bottom of fixed glass Slide, mark down the predrilled position of the Guide Block. Now drill the holes on the base, then put the wall anchors (20) into the holes and secure the Guide Block to the base with Screws M4X30 (19).



Hang the Glass Door (10) onto the Upper Guide Rail (1), and seat the bottom into the slot of the Guide Block (21). Be careful that the glass door should not touch the metal part of the guide block.

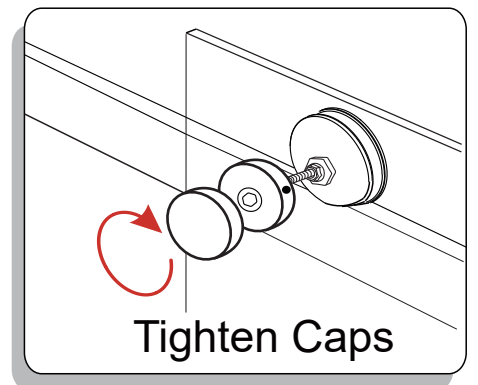
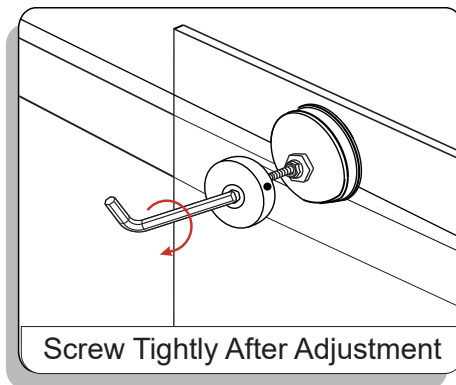
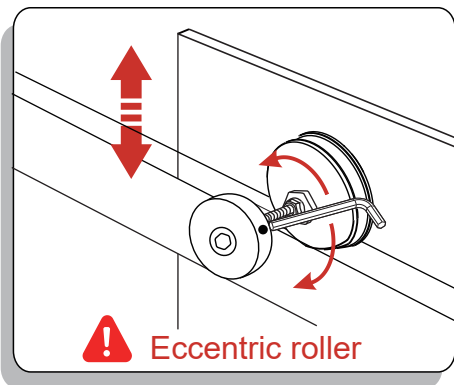
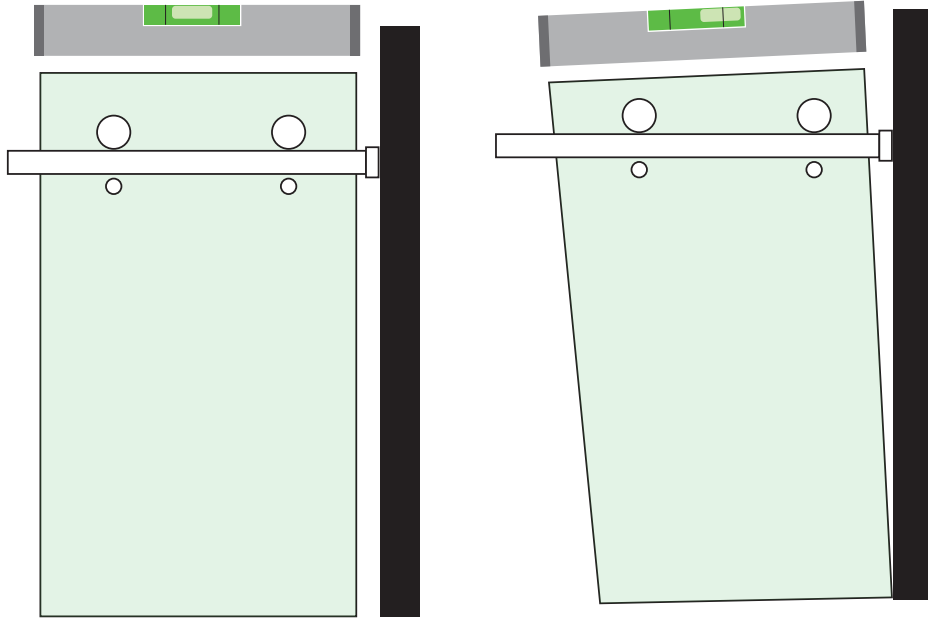
Inside

Outside

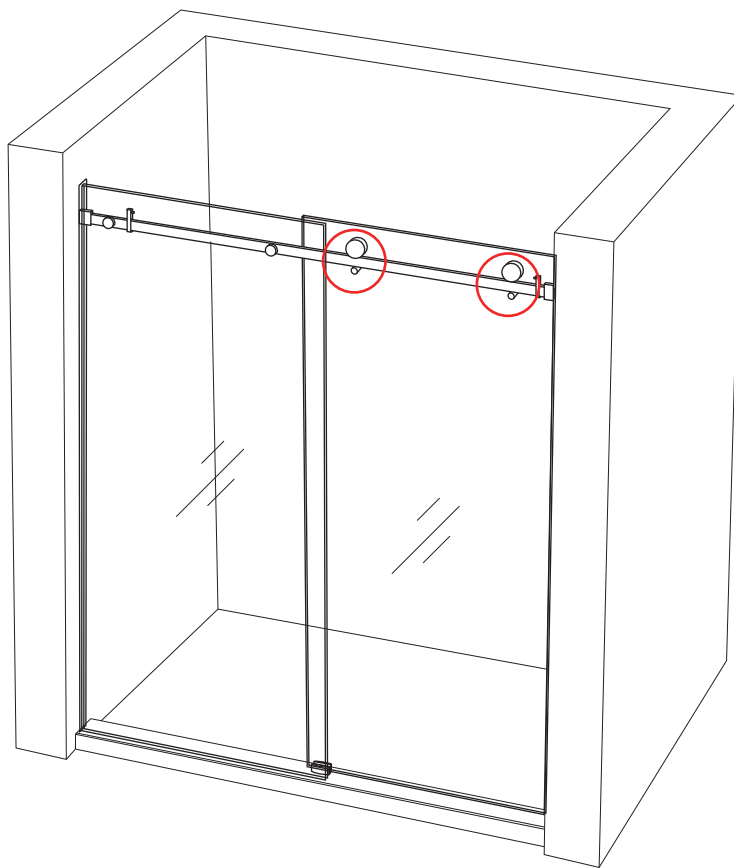
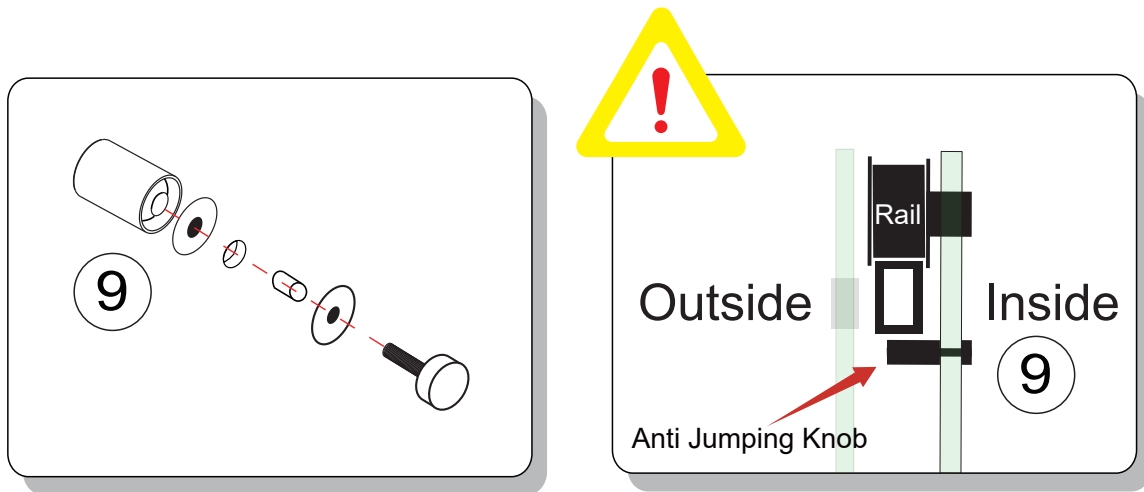


Step 14

Adjust the Vertical and Horizontal



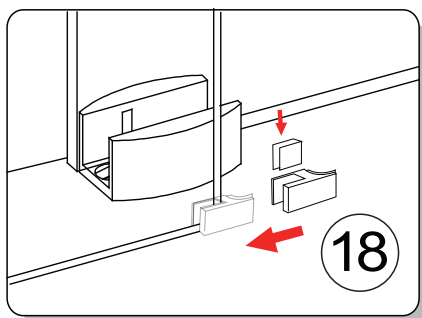
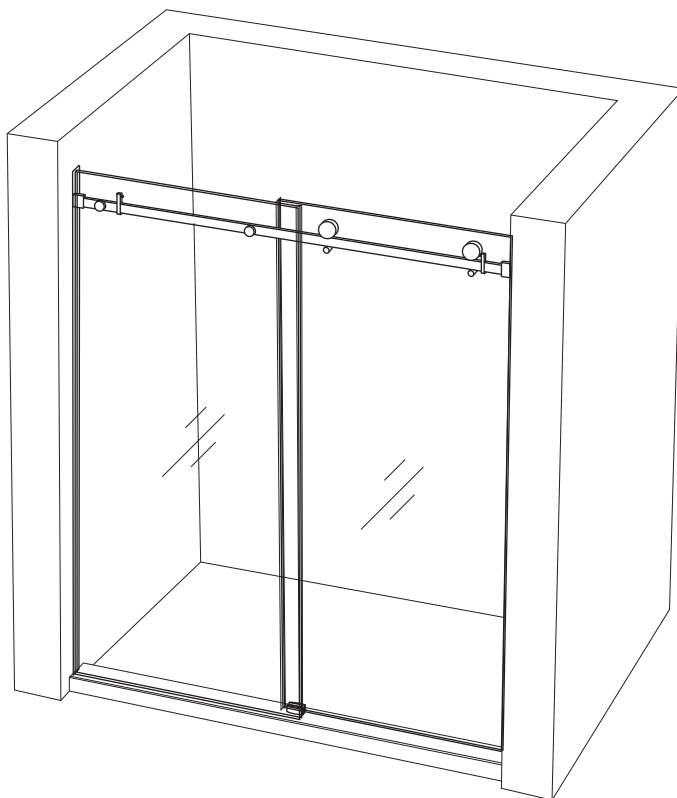
Step 15



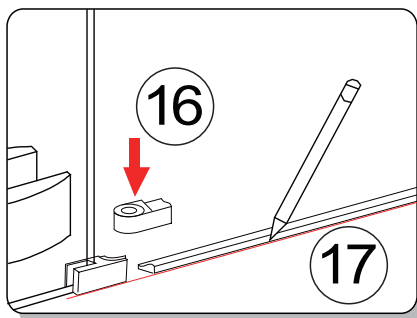
Install the Anti jumping knob (9) to the Sliding Glass Door (10). Make sure that the clear gasket will be between the glass and the metal parts of the Anti jumping knob (9). The distance between the Anti jumping knob (9) and the Upper Guide Rail (1) should be less than 1mm to prevent the glass from falling off.

Step 16

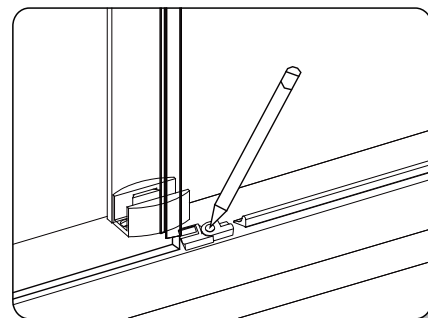
Install the Anti-Splash Threshold (17) in front of the Sliding Glass Door (10)



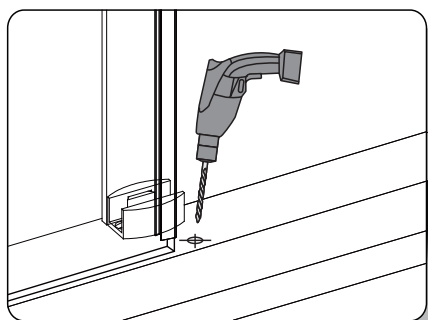
1. Insert 18# to Fixed Door



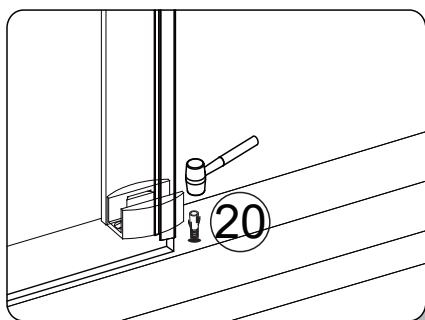
2. Pre-install 16# and 17#.



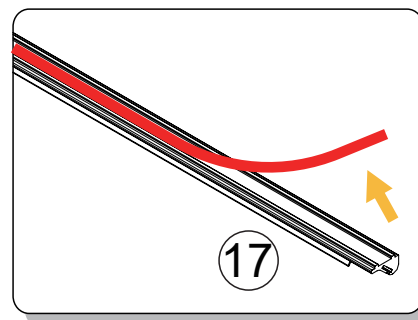
3. Mark down the predrilled hole



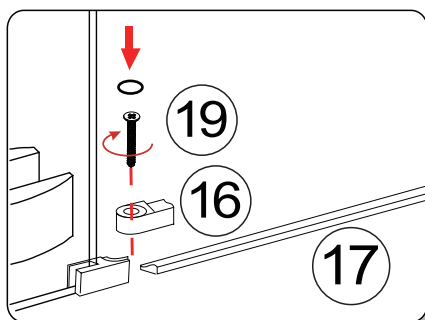
4. Drill the hole



5. Insert 20# Anchor



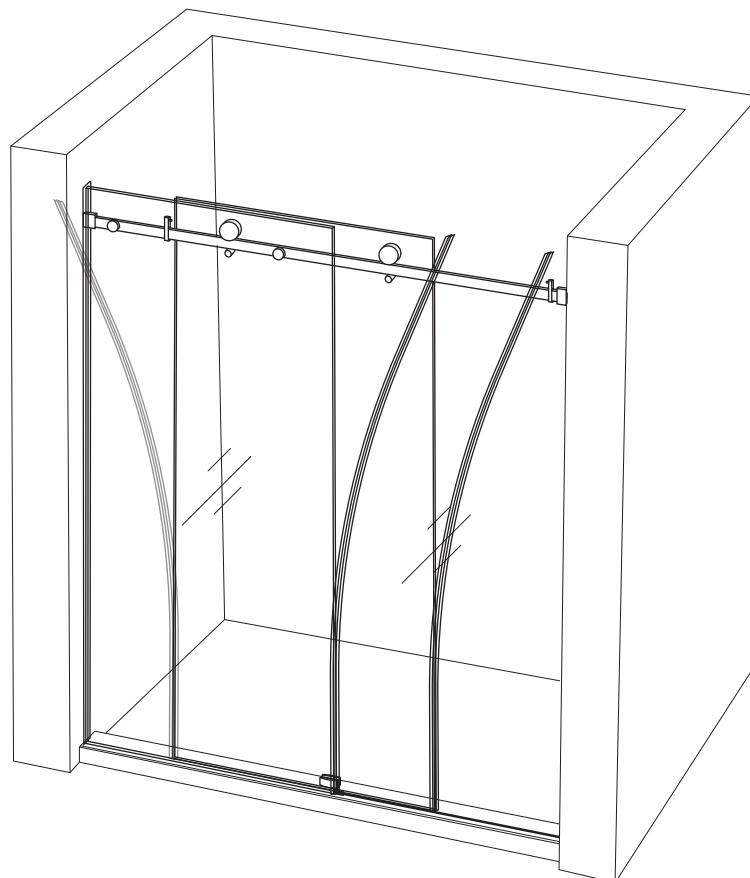
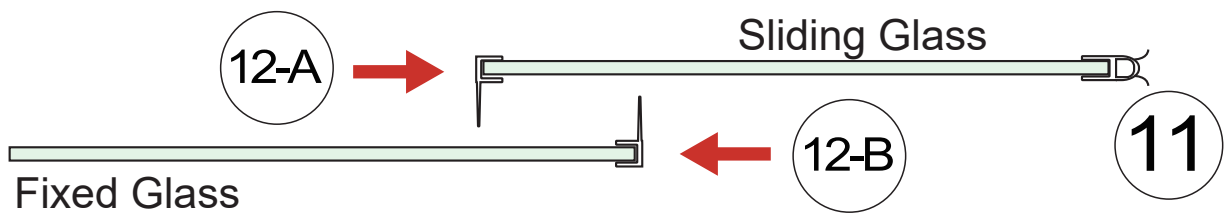
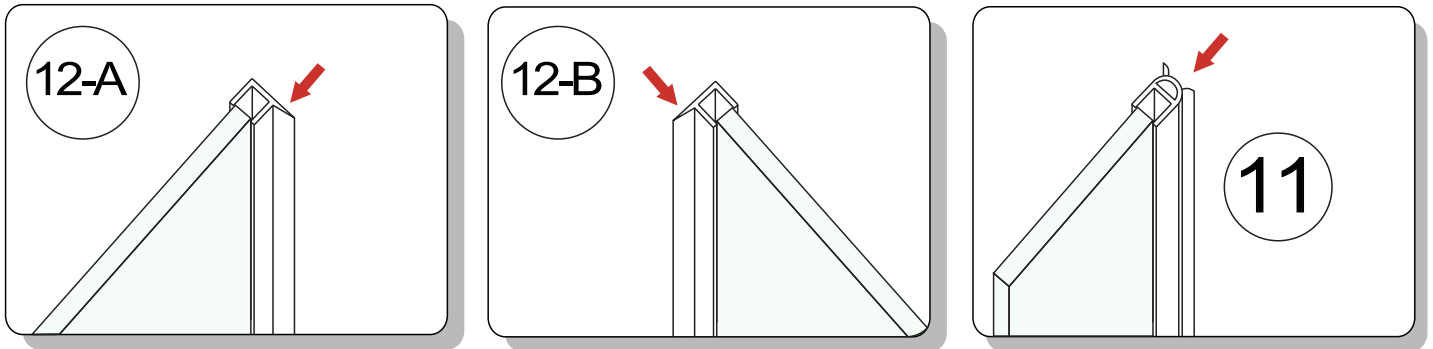
6. Peel off the film



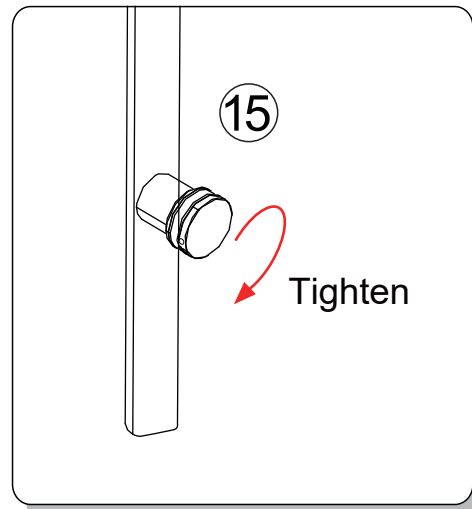
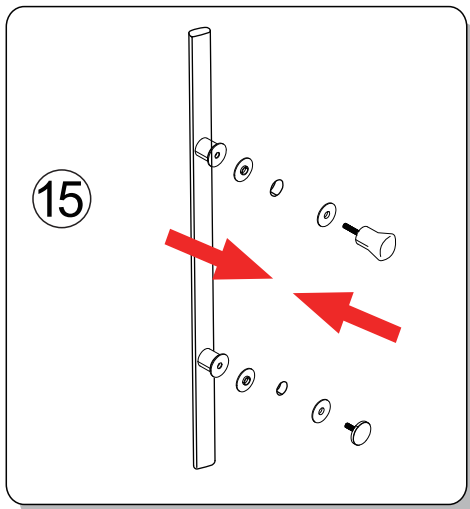
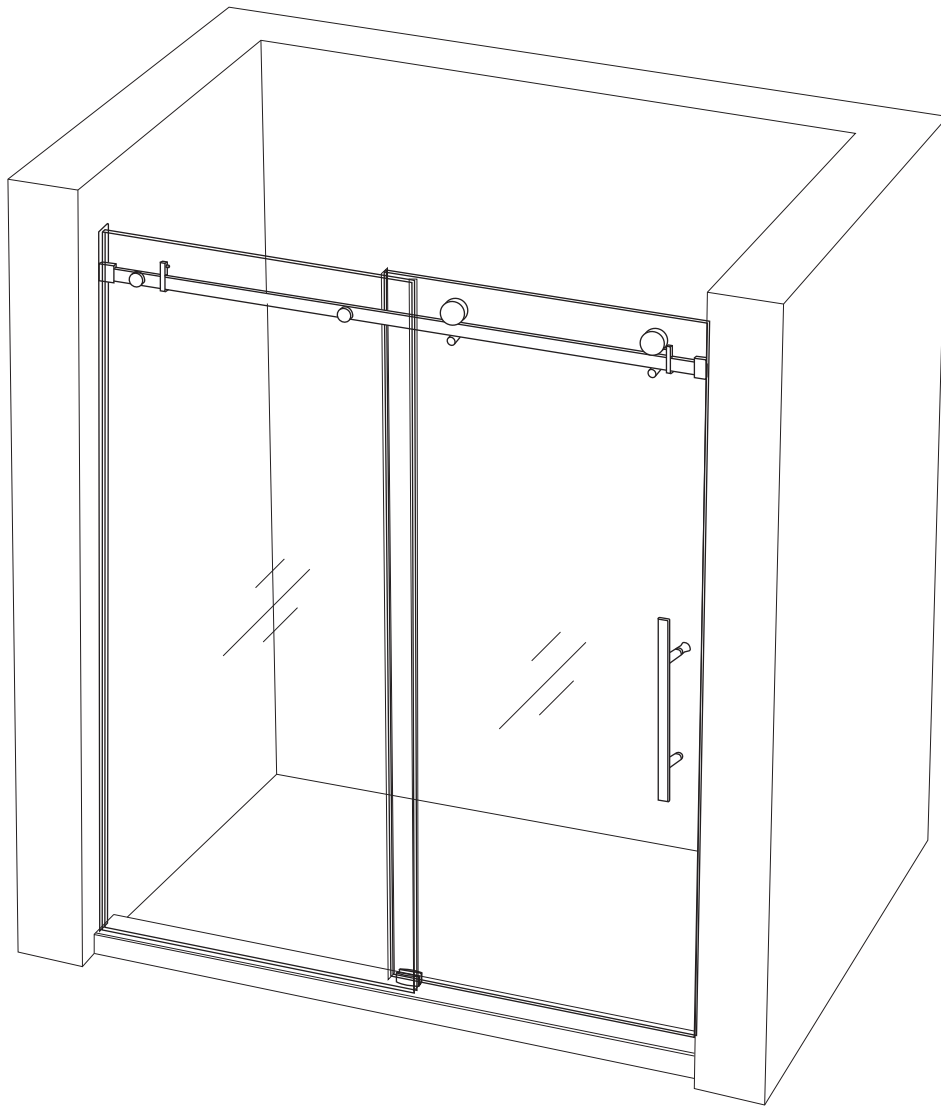
7. Assemble the cover and threshold

Step 17

Seat the Anti-Water H Strip (11) to the Glass Door (10), and Seat the 2 pieces Anti-Water F Strips (12) with an extended side to the middle glass, cut the extended side that interferes with the Upper Guide Rail (1).

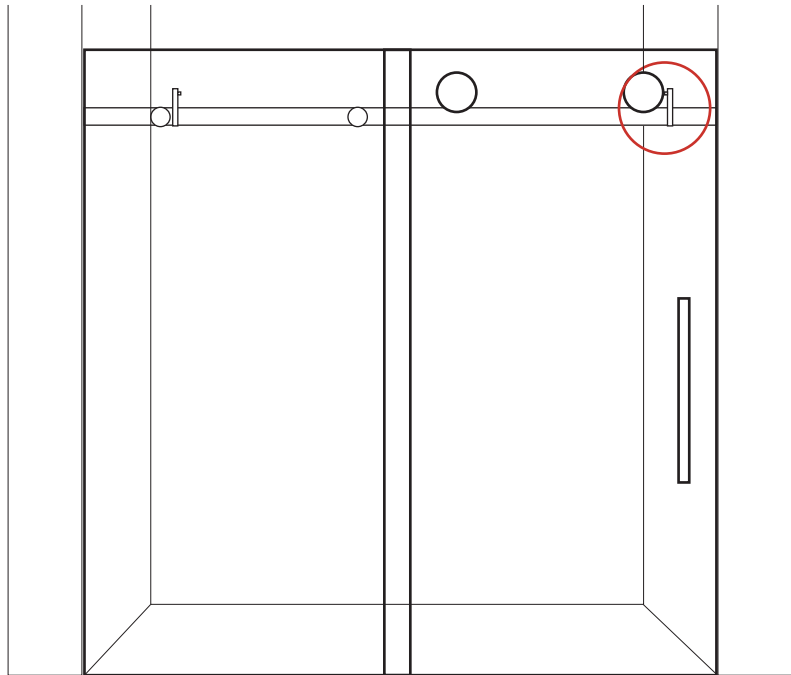
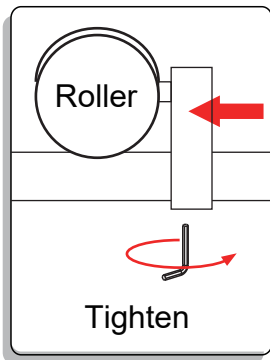
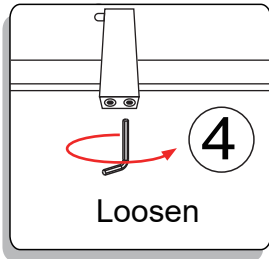


Step 18

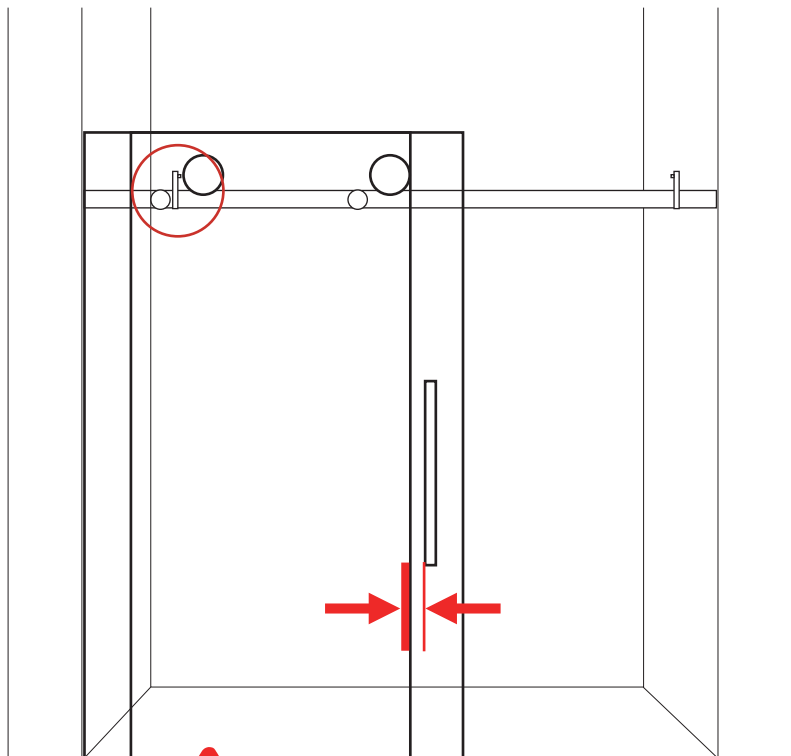
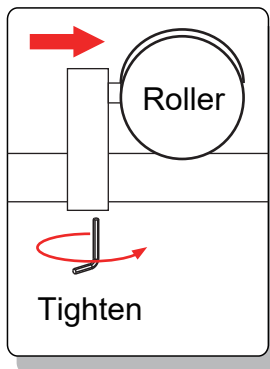
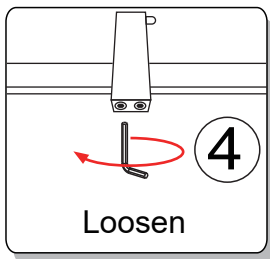


Step 19

Full close the sliding glass, fasten the Right Stopper (4) close to the Right roller.

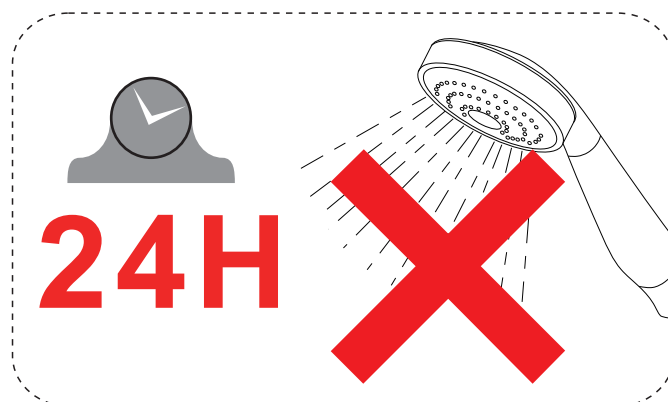
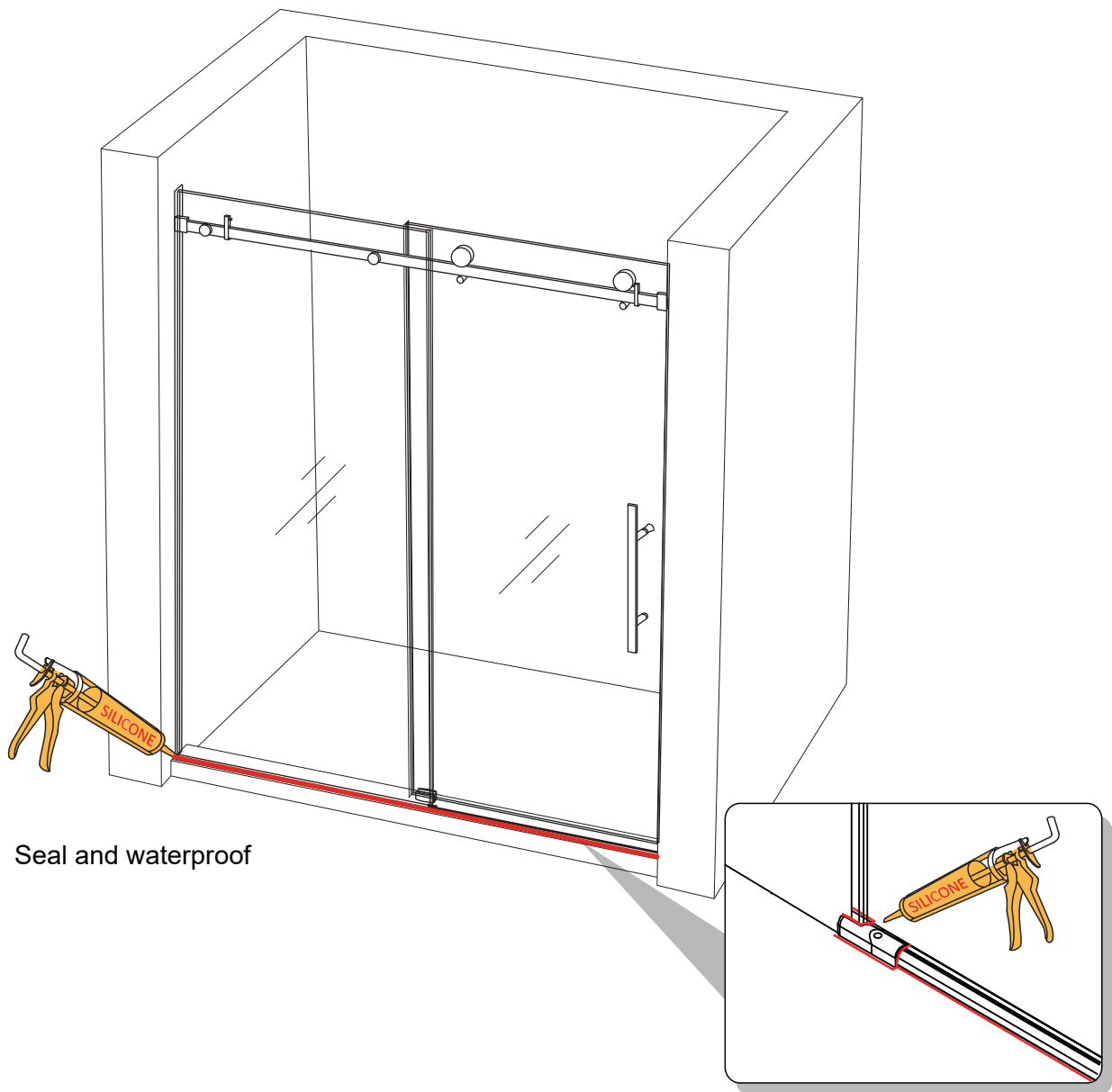


Full open the sliding glass, keep appropriate gap between the Fixed door and handle, fasten the Left Stopper (4) close to the Left roller.



Min. 1 inch gap between handle and glass.

Step 20



Do not use the shower enclosure for at least 24 hours in order to allow the silicone sealant to cure fully.

CARE & MAINTENANCE



The golden rules for care

NOTE: Use warm soapy water and a soft damp cloth to keep the glass clean. Wipe dry with a clean cloth. Glass cleaner can be used if required. Scourers, abrasives and chemical cleaners can damage the glass and pattern, and should not be used.

In hard water areas, insoluble lime salts may be deposited on the glass. If this is allowed to build up it becomes increasingly difficult to remove and looks unsightly. Regular cleaning will minimize this effect.

- Do not attempt to cut the glass.
 - Do not strike the glass with hard or pointed items.
 - Regularly check moving parts such as rollers and hinges to ensure they are secure and adjusted correctly. Tighten and adjust where required. Also check all sealed joints to ensure seal has not deteriorated. Re-seal if required.
-

WARRANTY

LIMITED WARRANTY EXCLUSION

ALL OTHER WARRANTIES EXPRESS OR IMPLIED INCLUDING ALL IMPLIED WARRANTIES OF MERCHANTABILITY OF FITNESS FOR A PARTICULAR PURPOSE ARE HEREBY DISCLAIMED. BESTGO IS NOT LIABLE FOR ANY INDIRECT, PUNITIVE, INCIDENTAL, CONSEQUENTIAL, SPECIAL OR SIMILAR DAMAGES INCLUDING, BUT NOT LIMITED TO, TIME AWAY FROM WORK, HOTELS AND/OR RESTAURANT MEALS, REMODELLING EXPENSES IN EXCESS OF DIRECT DAMAGES WHICH ARE DEFINITELY CAUSED EXCLUSIVELY BY BESTGO, LOST PROFITS OR REVENUE, INABILITY TO USE THE PRODUCT, OR ANY OTHER ASSOCIATED EQUIPMENT, THE COST OF SUBSTITUTE EQUIPMENT, AND ANY CLAIMS BY THIRD PARTIES RESULTING FROM THE USE OF THIS PRODUCT.

UNDER NO CIRCUMSTANCES SHALL STREAMLINE'S LIABILITY EXCEED THE PURCHASE PRICE OF THE UNIT.

BESTGO PRODUCTS MUST BE INSTALLED BY A FULLY INSURED, LICENSED, PROFESSIONAL WHO SHALL FOLLOW THE INSTRUCTIONS PROVIDED BY BESTGO, SHOULD THE PRODUCT BE INSTALLED BY AN INDIVIDUAL WHO IS NOT A FULLY INSURED, LICENSED PROFESSIONAL, THIS SHALL VOID THE WARRANTY OF THE PRODUCT.

SHOULD A WARRANTY CLAIM ARISE AND EITHER PARTS, REPLACEMENT, OR REPAIR OF THE BESTGO PRODUCT IS NECESSARY, FULFILLING THE INITIAL WARRANTY CLAIM SHALL DISCHARGE BESTGO OF ANY FUTURE WARRANTY OBLIGATION. IF THE PURCHASER REFUSES THE WARRANTY SOLUTION PROVIDED BY BESTGO, THIS ACT SHALL VOID THE WARRANTY. UNDER BOTH INSTANCES, BESTGO WILL NOT BE HELD RESPONSIBLE FOR ANY COSTS ASSOCIATED WITH SERVICING THE WARRANTY.

NO PERSON MAY MAKE ANY REPRESENTATION, AFFIRMATION, OR WARRANTY OTHER THAN THOSE CONTAINED IN THIS WARRANTY, ANY AFFIRMATION, REPRESENTATION OR WARRANTY BY ANY PERSON WHO IS NOT A BESTGO EMPLOYEE SHALL NOT BE ENFORCEABLE AGAINST BESTGO.

BESTGO makes no representations about the quality, durability, or need for service or repair of its products other than the representations contained in this warranty. If you want a longer or more comprehensive warranty than the limited warranty that comes with this product, you should ask BESTGO about buying an extended warranty. This warranty gives you specific legal rights, and you may have other rights that vary from state to state. Some states do not allow the exclusion or limitation of incidental or consequential damages, and some states do not allow limitations on how long an implied warranty lasts, so the limitations or exclusions stated above may not apply and may vary from state to state.

The warranties stated herein apply only to the first purchaser of the Product and are not transferable. BESTGO reserves the right to request proof of purchase at the time any warranty claim is submitted to confirm that the Product falls within the scope of this limited product warranty.

OUT OF WARRANTY PRODUCT

BESTGO IS UNDER NO OBLIGATION, AT LAW OR OTHERWISE, TO PROVIDE YOU WITH ANY CONCESSIONS, INCLUDING REPAIRS. PRORATES

LIMITED MANUFACTURER'S WARRANTY

- All parts and finishes of BESTGO products are warranted to the original consumer purchaser to be free from defects in material and workmanship for a period of two to five years [depending on the product and model: please check the product listing or email us at service@bestgosupplychaininc.com if you are unsure after the date of original retail purchase. Proof of the original purchase is required to obtain a remedy under this limited warranty.
- BESTGO recommends using a certified professional for all installation and repair of kitchen and bathroom fixtures.
- BESTGO will replace, free of charge, during the warranty period any part or finish that proves defective in material and/ or workmanship under normal installation, use and service. Replacement parts may be obtained by emailing us at service@bestgosupplychaininc.com
- This warranty is extensive in that it covers replacement of all defective parts and even finish, but these are the only two things that are covered. Labor charges and/or damage incurred in installation, repair, or replacement as well as any other kind of loss or damages are excluded.
- Proof of purchase (original sales receipt) from the original consumer purchaser must be made available to BESTGO for all warranty claims. This is the exclusive warranty by BESTGO, which does not make any other warranty of any kind including the implied warranty of Merchant ability. This warranty excludes all industrial, commercial and business usage whose purchasers are hereby extended a one-year limited warranty from the date at purchase, with all other terms of this warranty applying except the duration of the warranty.

NO ATTEMPT TO ALTER, MODIFY, OR AMEND THIS WARRANTY SHALL BE EFFECTIVE UNLESS AUTHORIZED IN WRITING BY AN OFFICER OF BESTGO.

 info@bestgosupplychaininc.com

WHAT IS NOT COVERED UNDER THIS LIMITED WARRANTY

- Normal wear and tear, spills of food, liquid, grease accumulations or cosmetic damage.
- Damage due to accidents, misuse, physical force improper installation or operation, mishandling, neglect, fire, heat, water, humidity, liquids, insect infestation, or other intrusion.
- Products that have been repaired, altered or modified by anyone other than BESTGO or its authorized service representative.
- Damage caused by use of non-BESTGO accessories or misapplication Products whose serial numbers have been removed altered or rendered illegible.
- Products purchased, shipped from, used or serviced outside the United States. Canada and Mexico.
- Damage caused by acts of nature such as, but not limited to, lightning damage.
- Products returned without valid proof of purchase.
- Consumable parts such as light bulbs, metal, and charcoal filters.
- Any party's willful misconduct, negligence, misuse, abuse, accidents, neglect, improper operation, failure to maintain, improper or negligent installation, tampering, failure to follow operating instructions, mishandling, unauthorized service (including self-performed "fixing" or exploration of the product's internal workings).
- Use of corrosive or abrasive cleaning products.
- Cosmetic damages including scratches, dents, chips and other damage, unless such damage results from defects in materials and workmanship and is reported to BESTGO within 3 calendar days of delivery.
- Use of the Product in anything other than its normal customary and intended manner.
- A failure to comply with any applicable state, local city or county electrical, plumbing and/or building codes, regulations, or laws, including failure to install the product in strict conformity with local fire and building codes and regulations.
- In no event shall BESTGO have any liability or responsibility whatsoever for damage to surrounding property, including cabinetry, floors, ceilings, and other structures or objects around the product.

HOME SERVICES



INSTALLATION VIDEO

Missing Part or Defective?

Please Contact the Customer Service Team

✉ service@getprohome.com

☎ 626 679 3588