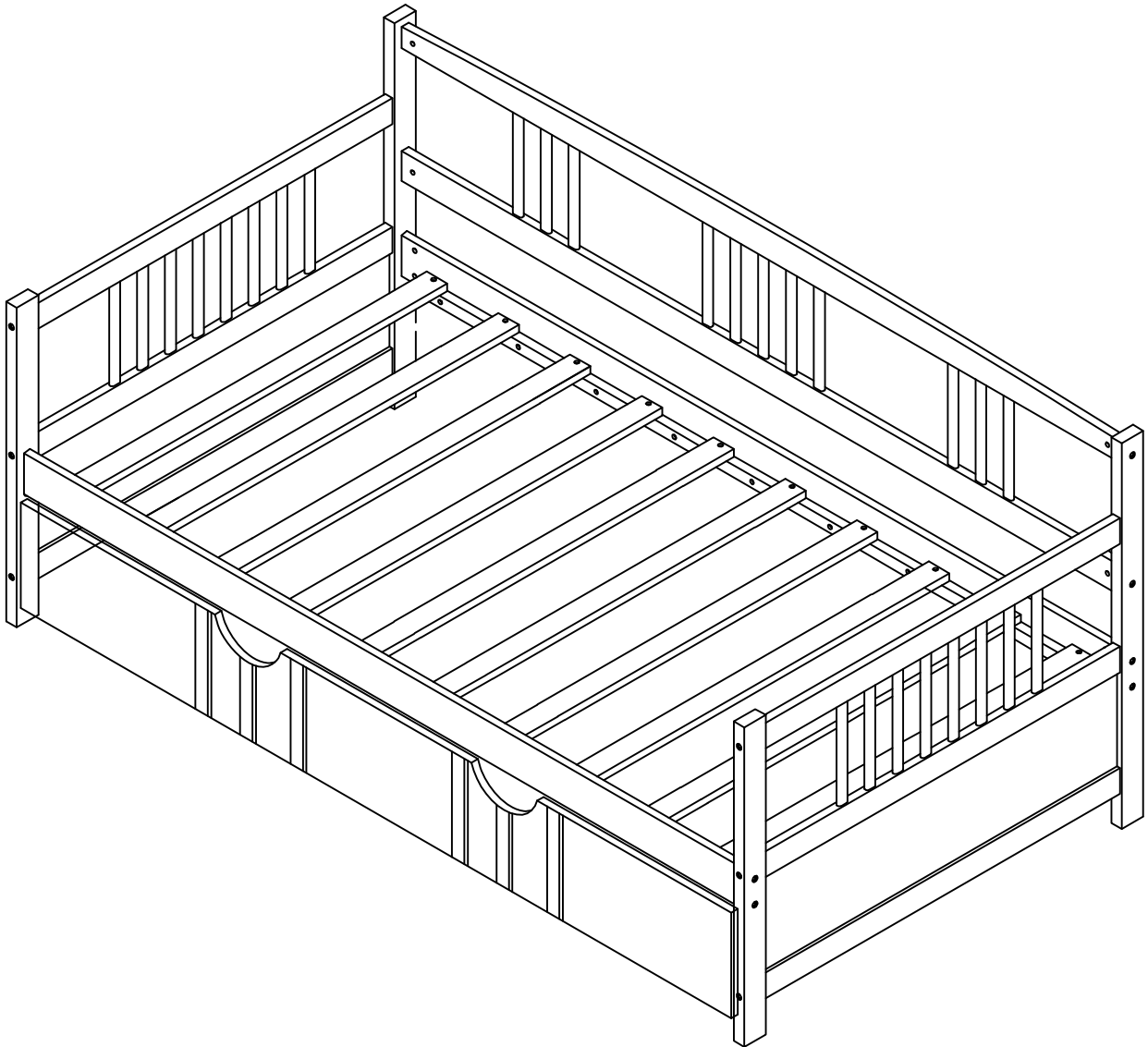
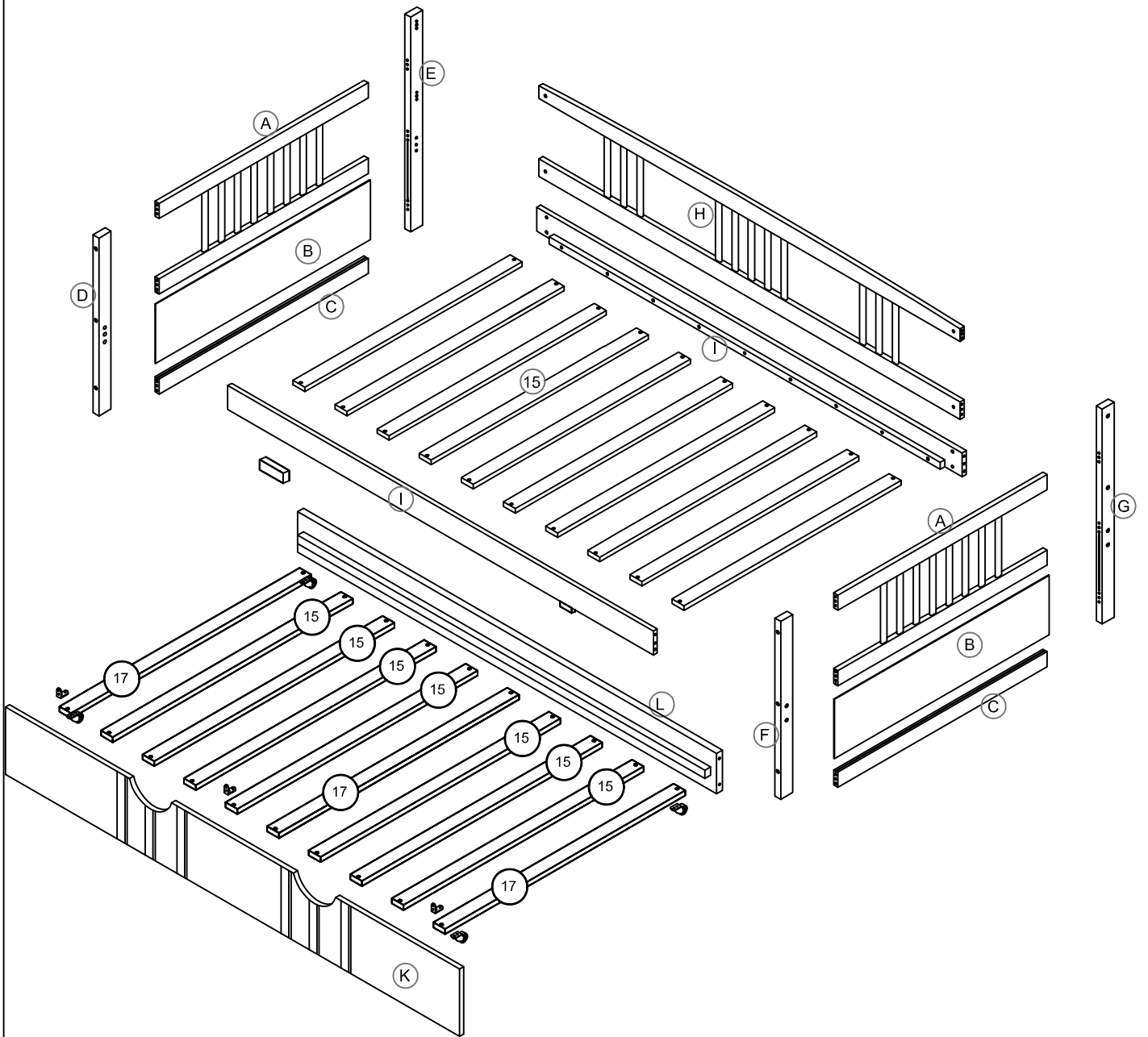


ASSEMBLY INSTRUCTIONS

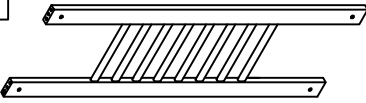
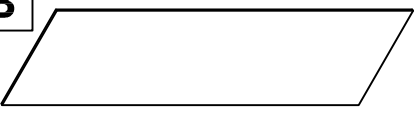


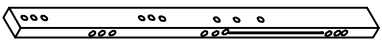
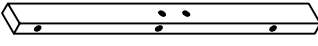
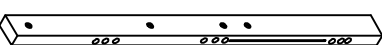
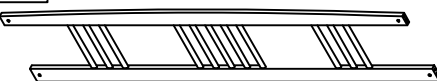

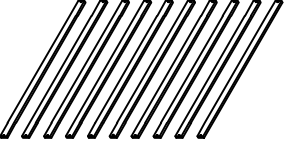
TWIN SIZE DAY BED WF198300/198301



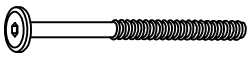










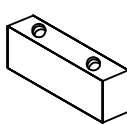
Detail View



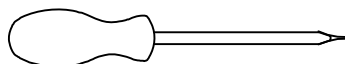
Part List WF198300

A 	B 	C 
HB & FB - 2pcs	Side panel - 2pcs	Horizontal bar - 2pcs
D 	E 	F 
Leg left (Front) - 1pc	Leg left (Back) - 1pc	Leg right (Front) - 1pc
G 	H 	I 
Leg right (Back) - 1pc	Guard rail(Back)-1pc	Side rail(Back & Front)-2pcs
15 		
Slats - 1set (10pcs)		

Hardware List (IN WF198300)


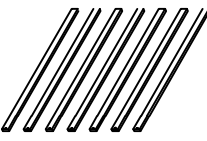

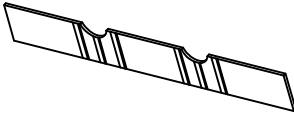
1  (Ø15)1/4"*110mm Hex-Head bolts (12pcs)	2  (Ø15)1/4"*85mm Hex-Head bolts (12pcs)	3  1/4"*15 (9.5mm) Horizontal-Hole bolts(12pcs)
4  Ø4*30mm Wood screws (38pcs)	5  (1/4")4.5*58mm Allen key (1pc)	6  Ø10*30mm Wood dowel (36pcs)
7  Wheels Ø32 (4pcs)	8  #4*20mm Wood Screws (8pcs)	9  60 x 20 x 2 (2mm) Pass L (3pcs)
10  Ø6*50mm Hex-Head bolts (6pcs)	11  #4*15mm Wood Screws (12pcs)	18  Wood block 2pcs

ASSEMBLY TOOLS REQUIRED (NOT INCLUDED)

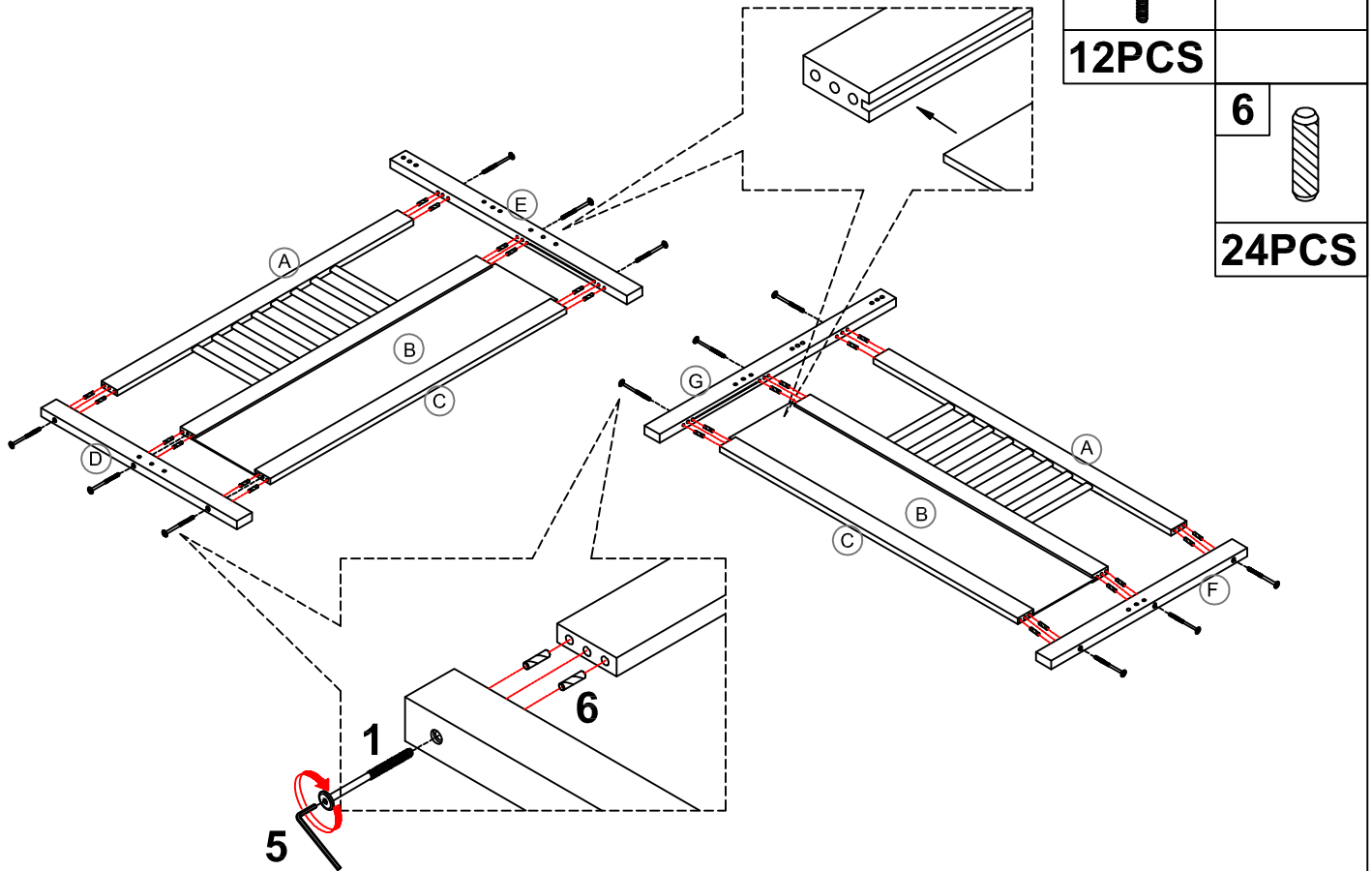


PLEASE BE CAREFUL DO NOT DAMAGE THE HOLE POSITION WHEN YOU USE POWER TOOLS !

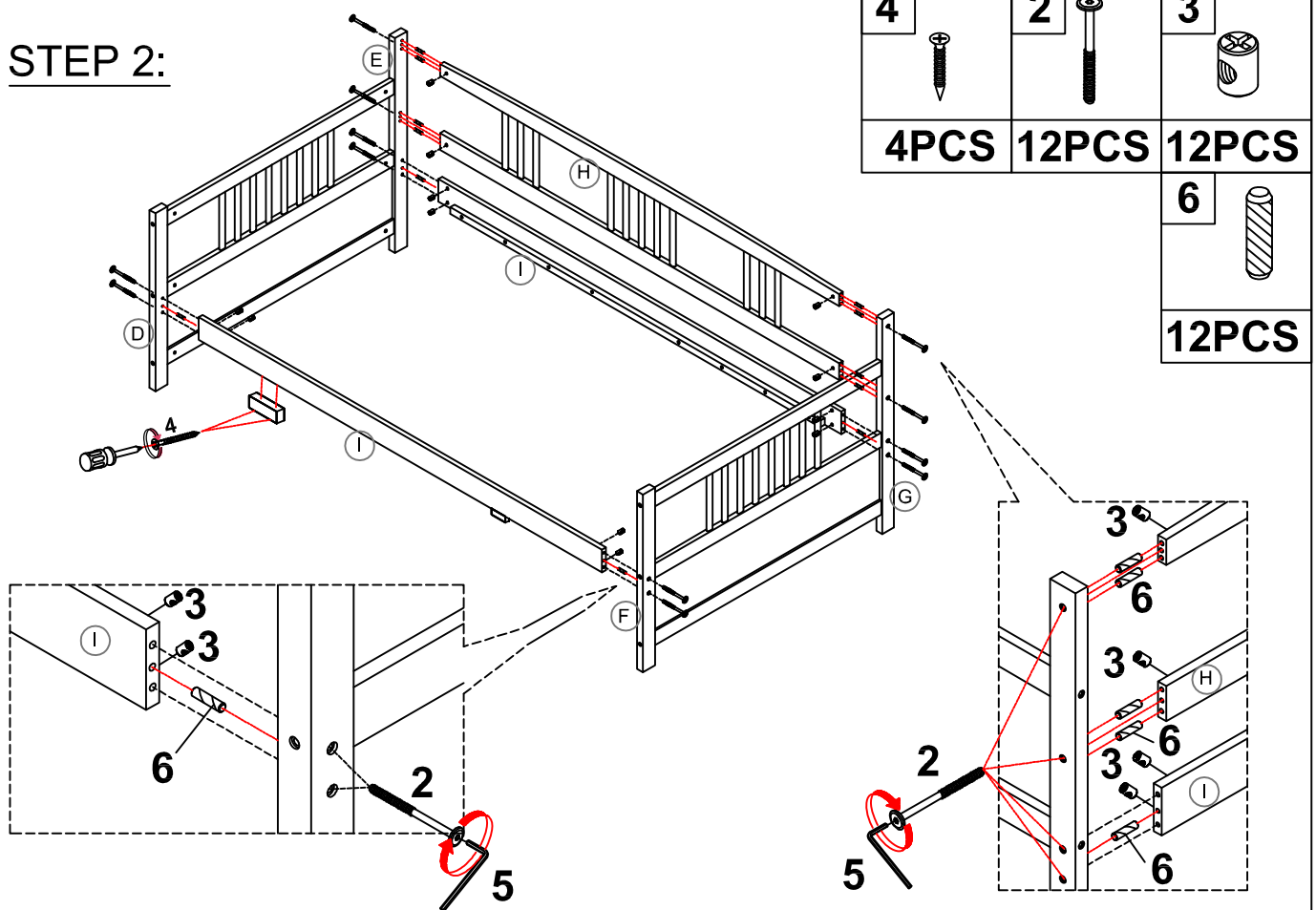
Part List WF198301

17 	15 	L 
Slats - 1set (3pcs)	Slats - 1set (7pcs)	Trundle back - 1pc
K 		
Trundle front - 1pc		

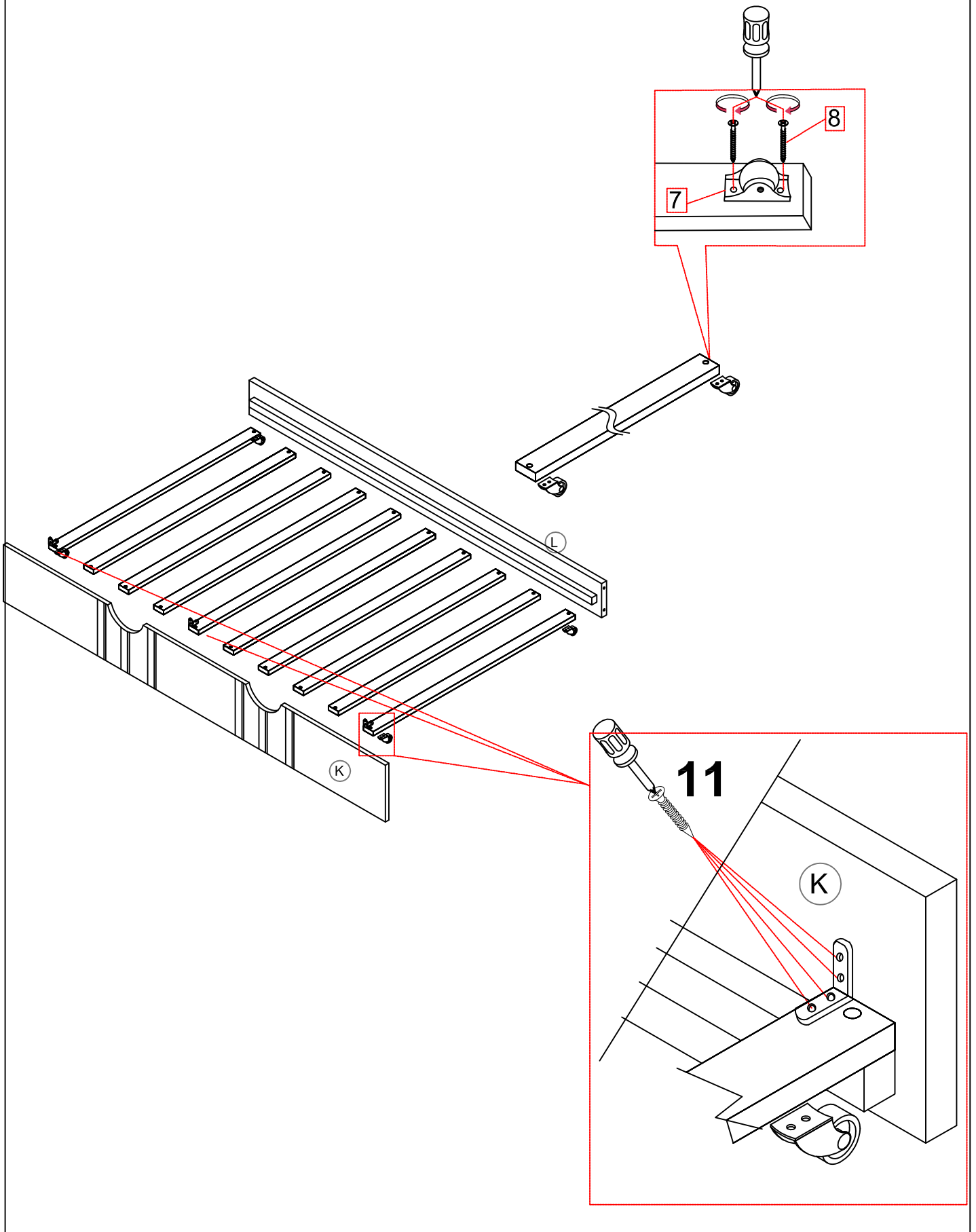
STEP 1:



STEP 2:



8	7	11
8PCS	4PCS	12PCS

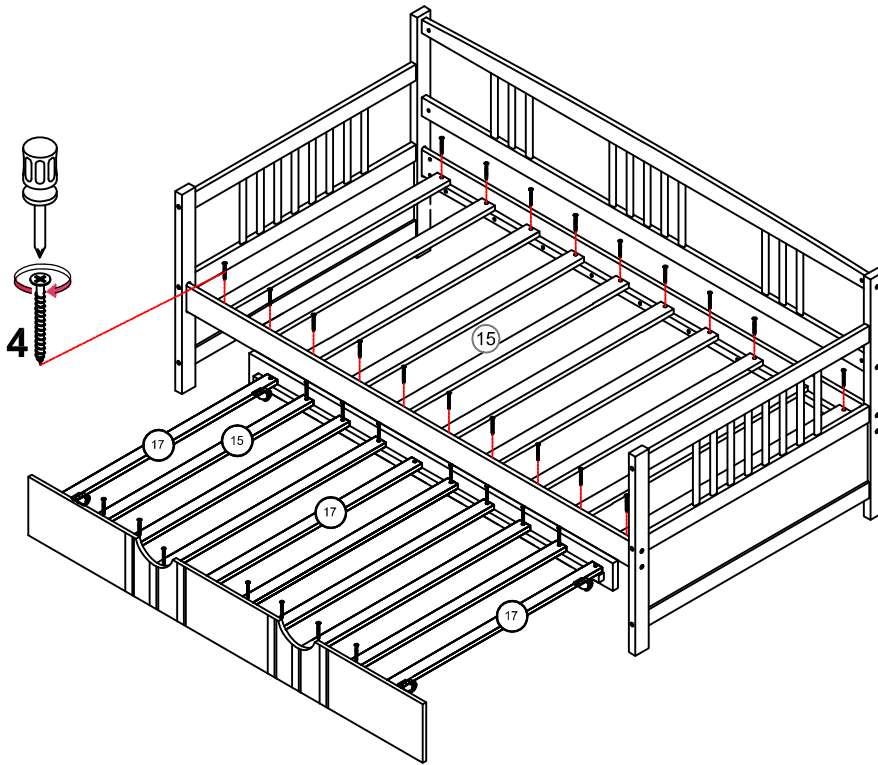


STEP 3:

4

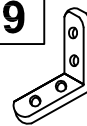


34PCS



COMPLETED

9

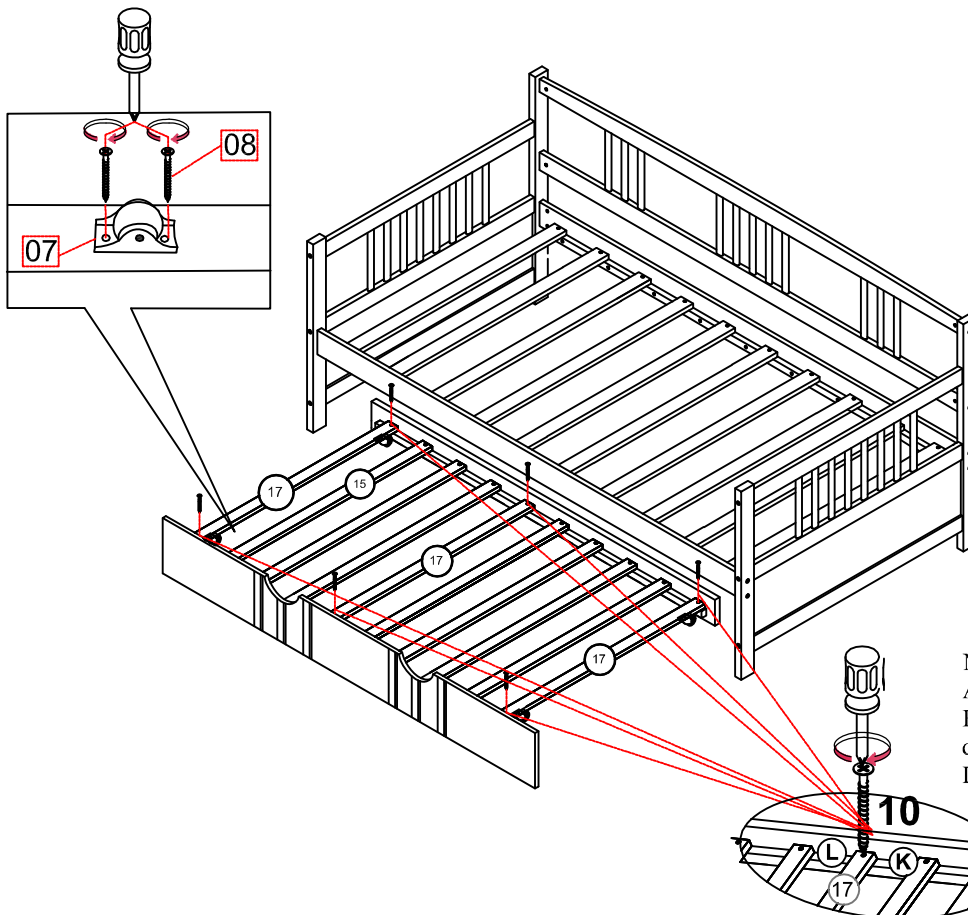


6PCS

10



6PCS



Note:
Assembly location of letters K and L
K: is the shoulder in front of the
drawer
L: is the shoulder behind the drawer