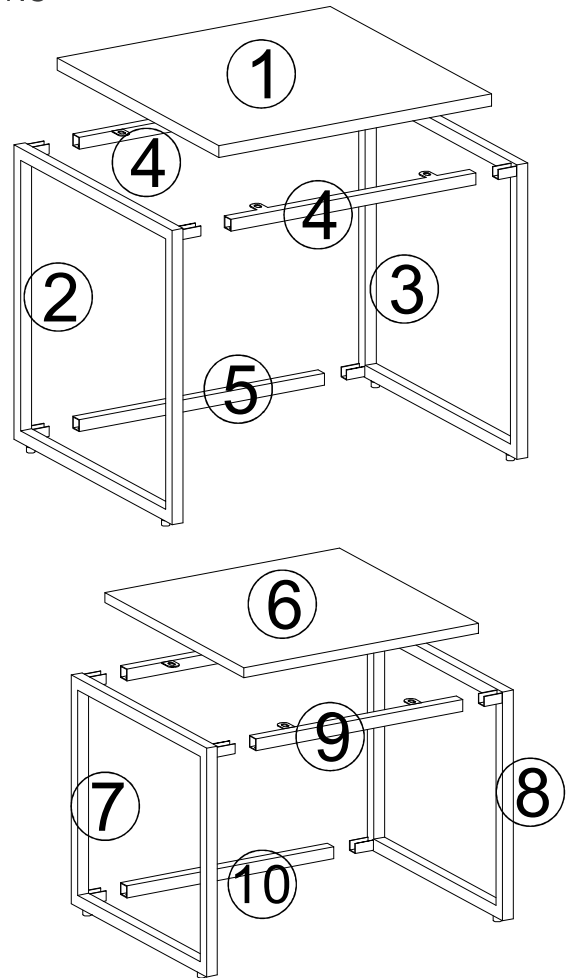
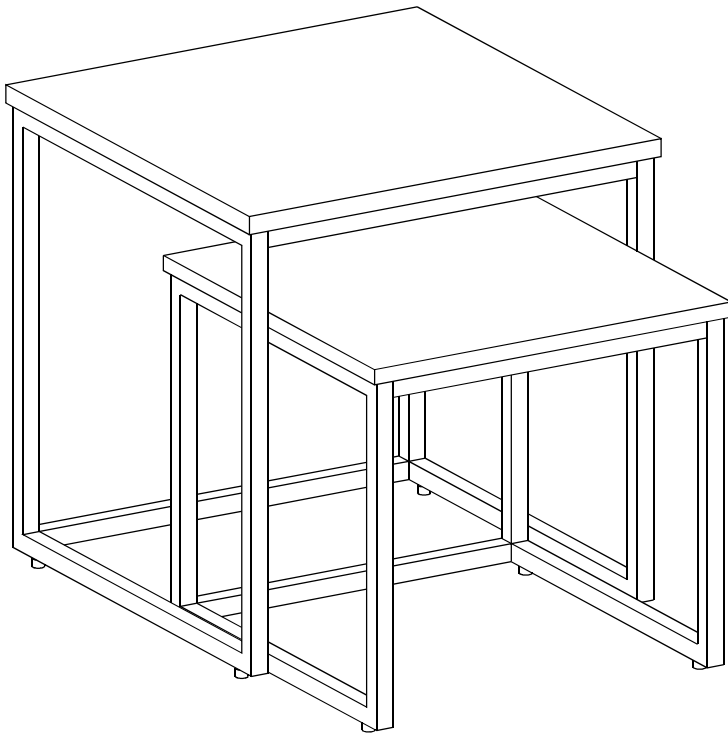
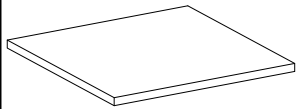


## ASSEMBLY INSTRUCTIONS

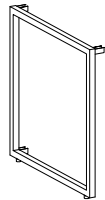


## PARTS LIST

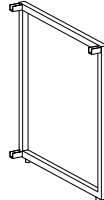
① = 1 PC



② = 1 PC



③ = 1 PC



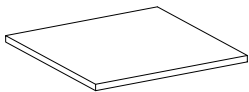
④ = 2 PCS



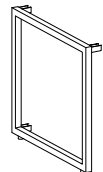
⑤ = 1 PC



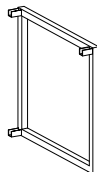
⑥ = 1 PC



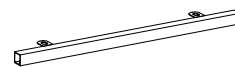
⑦ = 1 PC



⑧ = 1 PC



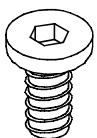
⑨ = 2 PCS



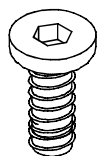
⑩ = 1 PC



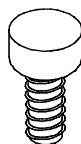
A = 24 PCS



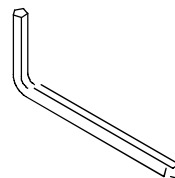
B = 8 PCS



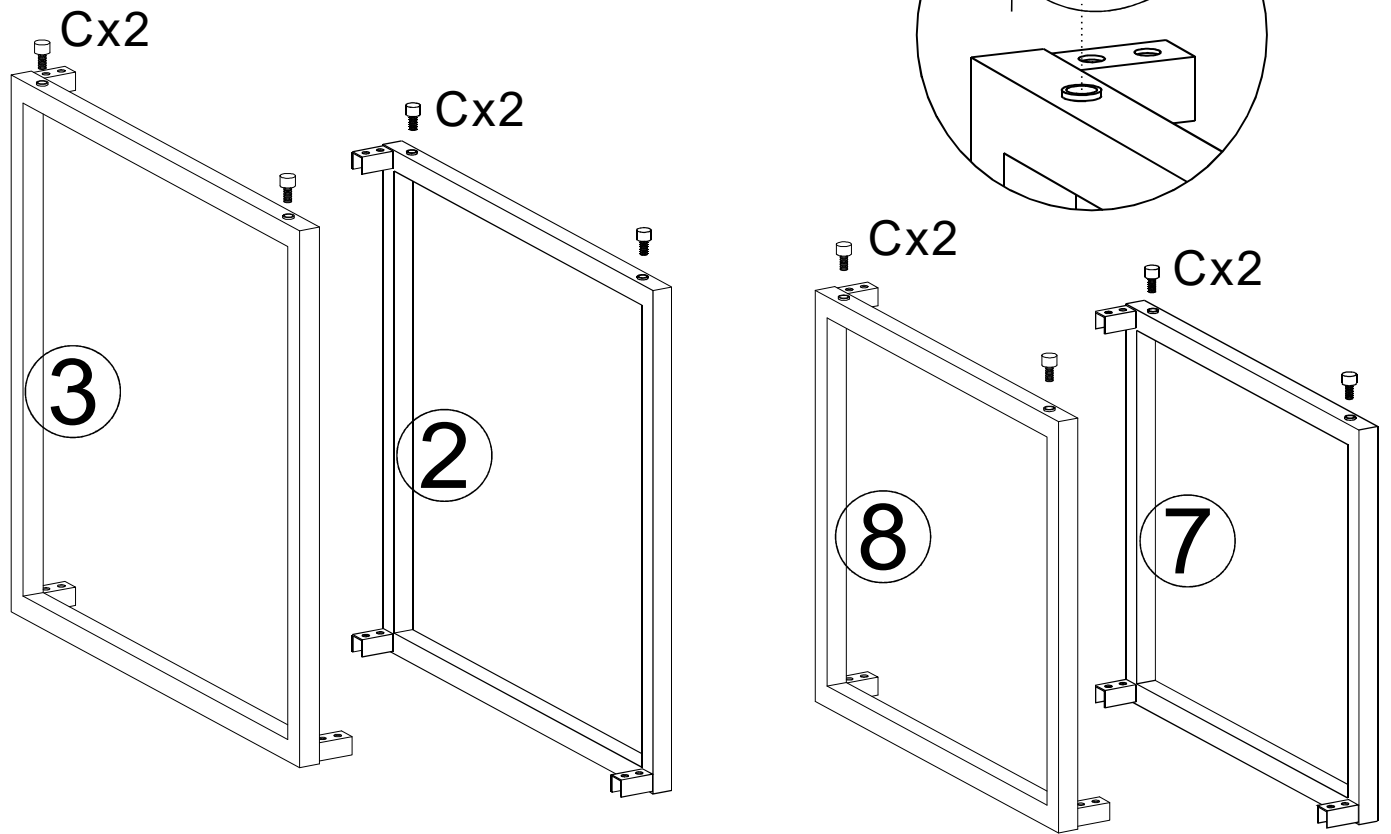
C = 8 PCS



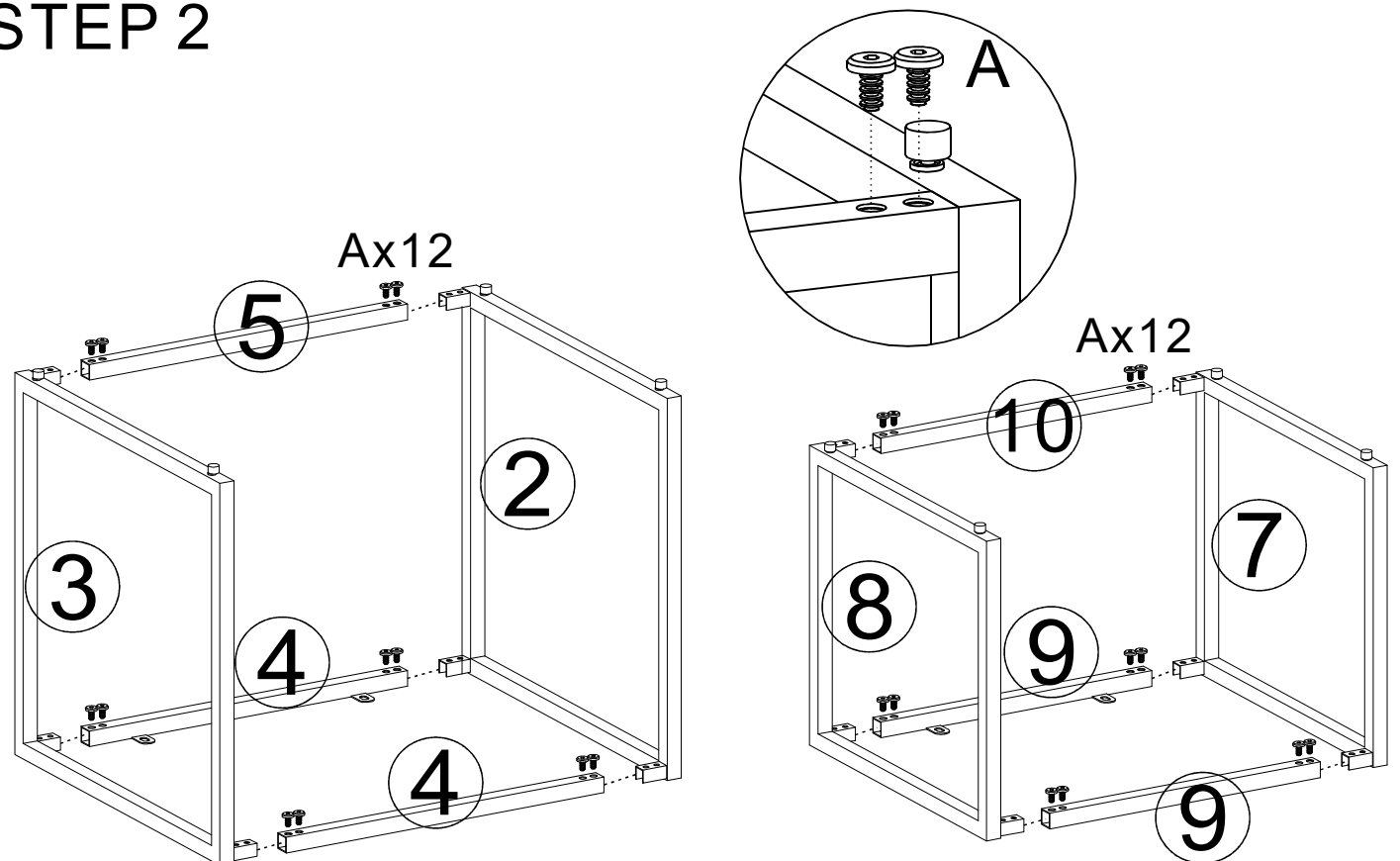
D = 1 PC



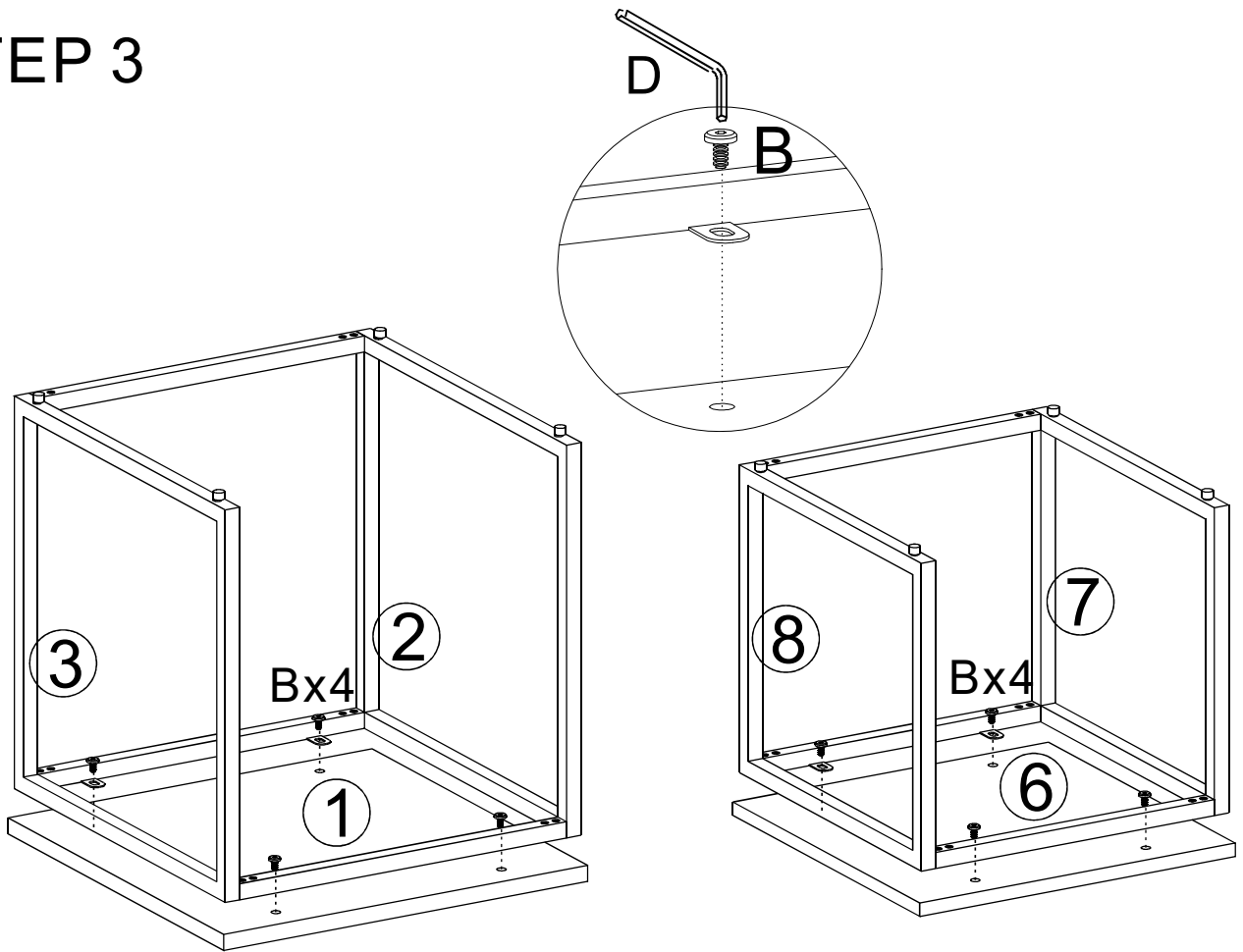
# STEP 1



# STEP 2



# STEP 3



# STEP 4

