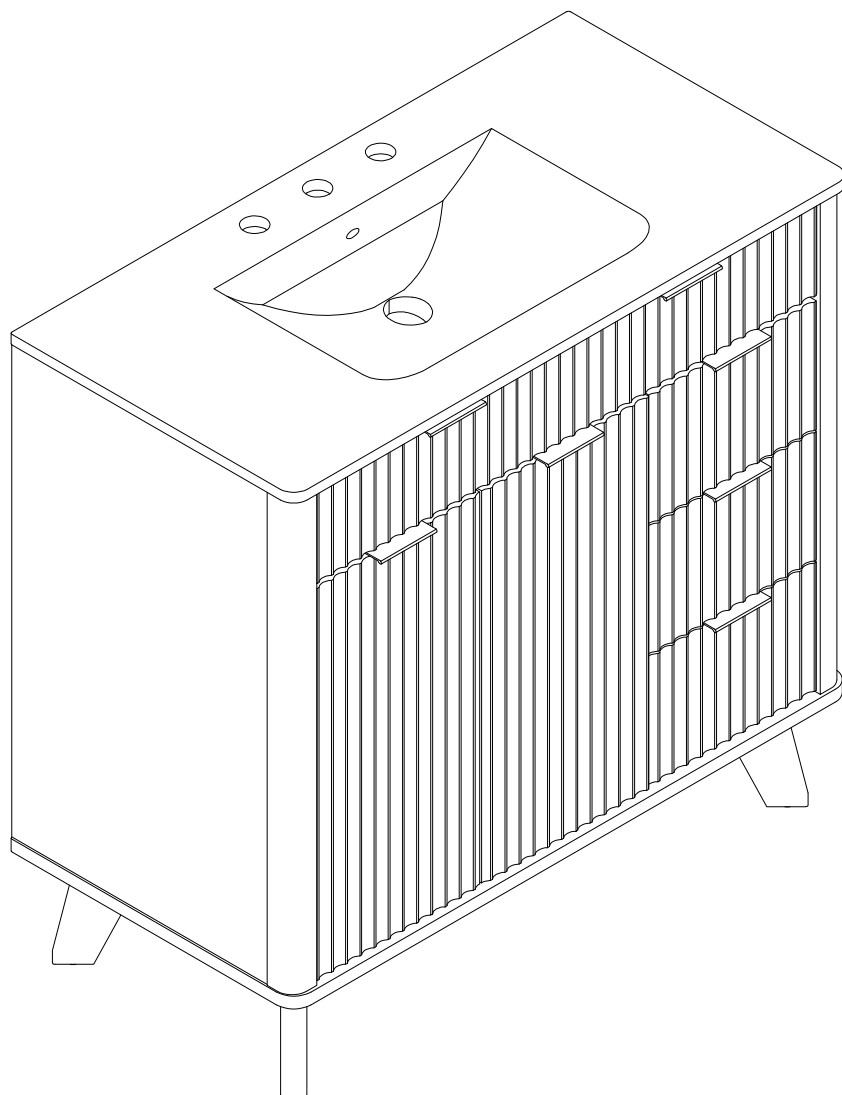
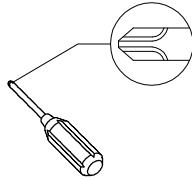


Assembly Instructions

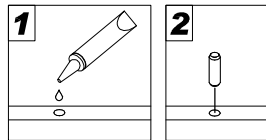


General Assembly Guidelines

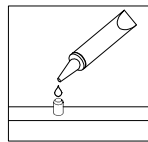
- I. Ensure that all parts and hardware are available before beginning assembly.
- II. Follow each step carefully to ensure the proper assembly of this product.
- III. Two people are recommended for ease in the assembly of this product.
- IV. A Phillips head screwdriver is required for the assembly of this product .



- V. The provided glue is to secure wood dowels in place . When first inserting dowels , locate the appropriate hole for the dowel , place a small amount of glue in the hole and insert the dowel . Wipe away excess glue immediately.

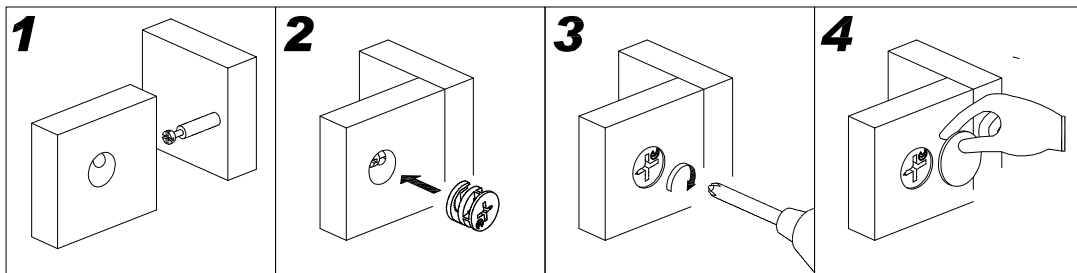


In future assembly steps when dowels are necessary to attach assembly parts together , place a small amount of glue on the end of the dowel before attaching parts together . Wipe away excess glue immediately.

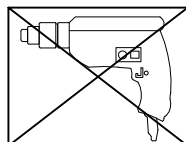


VI HOW THE KNOCK DOWN (KD) ASSEMBLY SYSTEM WORKS

- 1.Screw the Cam Bolt into the pre-drilled hole on the panel. Make sure Cam Bolt goes into the pre-drilled hole on the end of panel for Cam Lock.
- 2.Insert the Cam Lock into the pre-drilled large hole on the panel. Make sure the arrow on the face of Cam Lock points towards Cam Bolt.
- 3.Take a Phillips screwdriver and rotate the Cam Lock clockwise to lock the Cam Bolt.
- 4.Use the sticker to conceal the Cam.

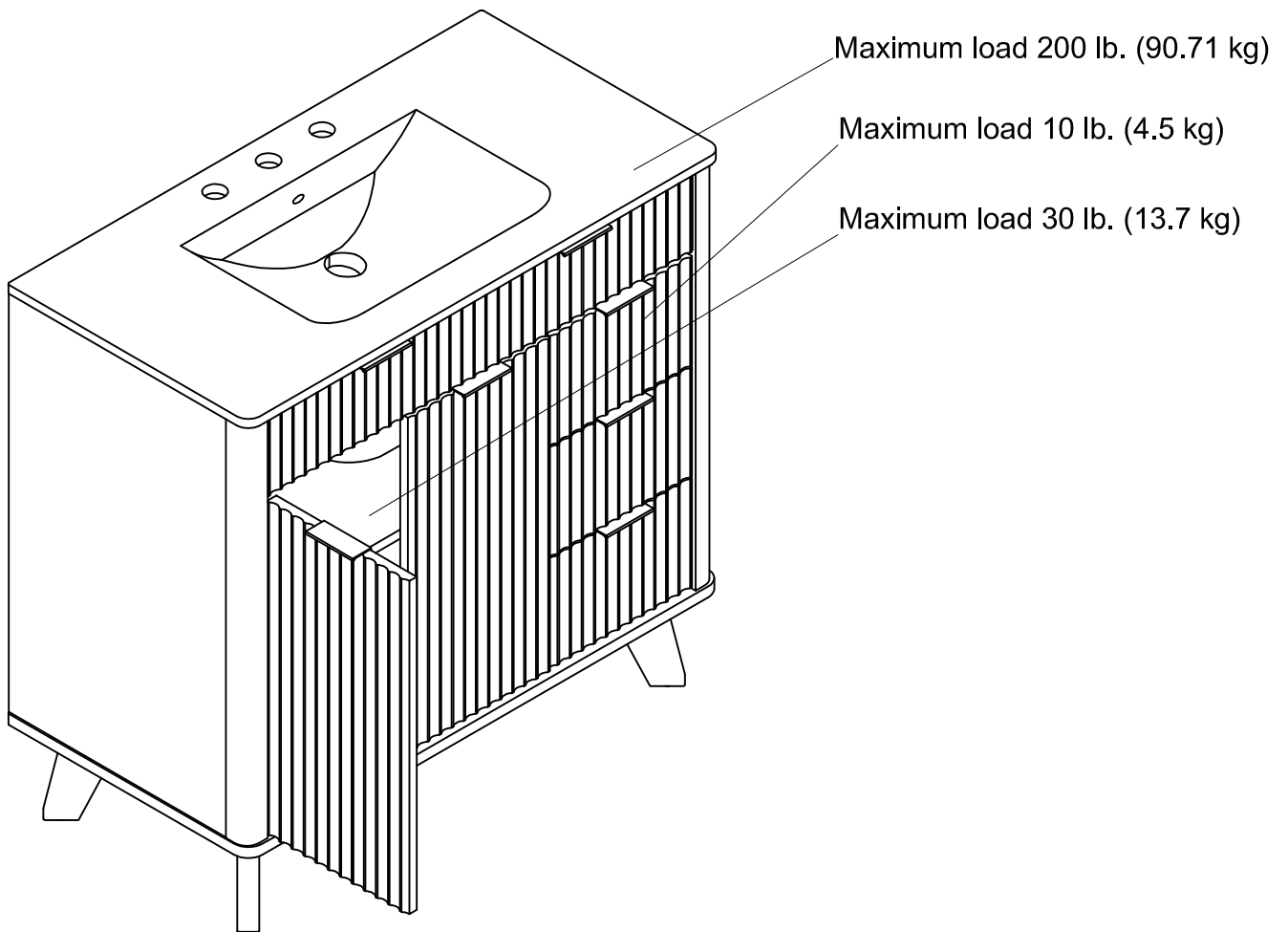


- VII. Power tools should not be used to assemble this product .

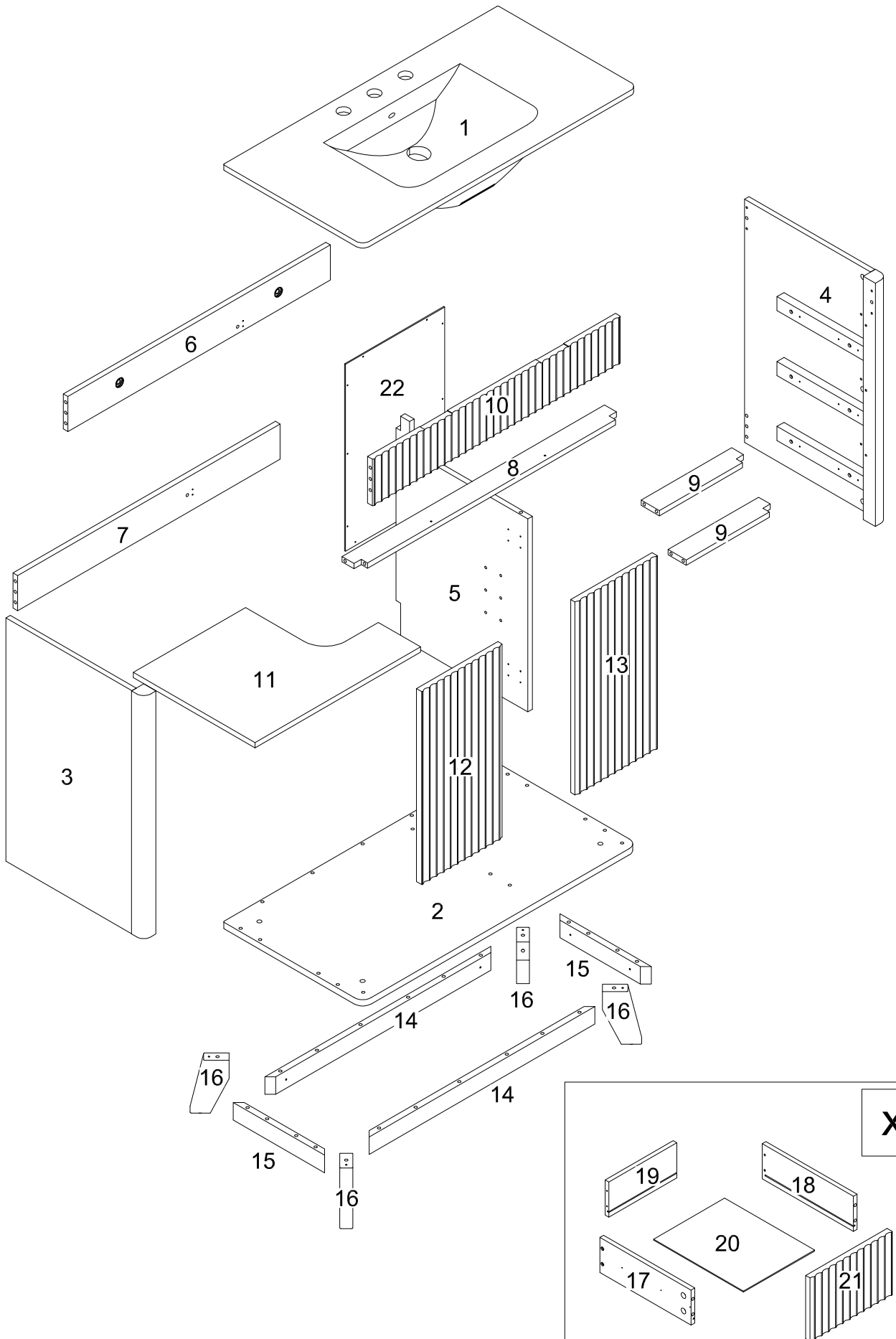


⚠ WARNING


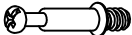


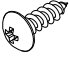


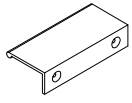
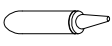
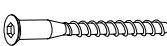
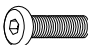






Do not stand on vanity .Use vanity on level ground.Base vanity supports a maximum weight of 200Lbs .Exceeding maximum weight limit will compromise the integrity of the vanity structure and could cause the vanity to fail.Always keep the vanity surface dry after use.

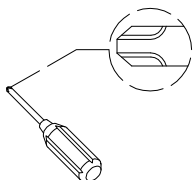


Parts List









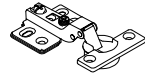




Hardware List

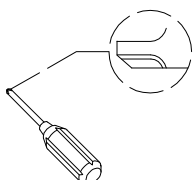
A		Ø8x30mm	Dowel	33	pcs
B		Ø6x35mm	Cam bolt	34	pcs
C		Ø15x11mm	Large cam lock	22	pcs
D		Ø30mm	Cam cover	34	pcs
E		Ø5x15mm	Screw	8	pcs
F		1/4"x50mm	Bolt	12	pcs
G		M4	Allen Wrench	1	pc
H			Handle	7	pcs
I			Glue tube	1	pc
J		Ø6x50mm	Bolt	13	pcs
K		1/4"x28mm	Bolt	4	pcs
L		Ø3.5x12mm	Flat-head screw	52	pcs
M		12"L*35mm	Drawer Slider	3	sets
N			Small bracket	2	pcs
O			Plastic connectors	3	pcs
P			Shelf Support	4	pcs
Q		Ø4*38mm	Screw	12	pcs



Philips head screwdriver required for assembly
(not included)

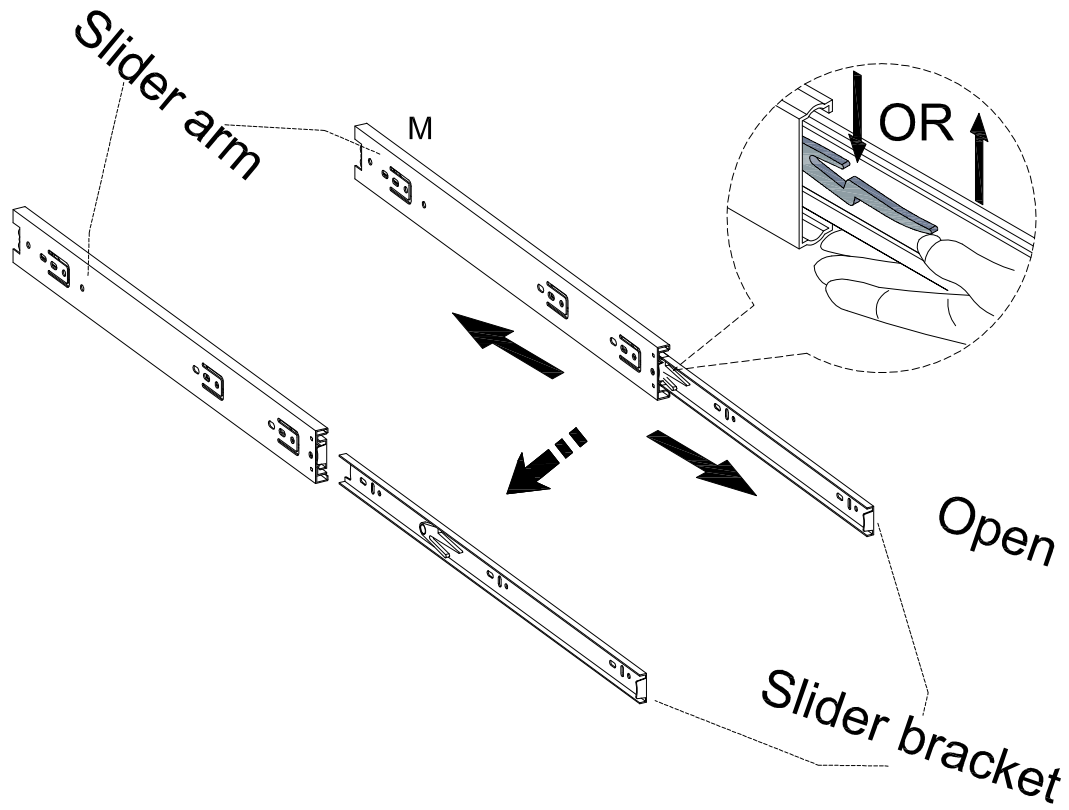
Hardware List

R		Ø15x9mm	Small Cam lock	12 pcs
S		M4x60mm	Screw	2 pcs
T		Ø7x30mm	Nut	2 pcs
U		Ø13x1mm	Washer	2 pcs
V		Ø3x14mm	Flat-head screw	14 pcs
W			Metal Bracket	4 pcs
X			Euro Hinge, Soft close, Insert	2 pcs
Y			Euro Hinge, Soft close, Full overlay	2 pcs
Z		Ø3.5x14mm	Flat-head screw	24 pcs
AA		Ø3.5x15mm	Washer-head screw	14 pcs
BB		15mmx3mm	EVA Strip	1 pc

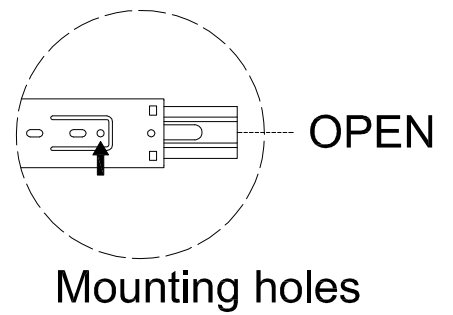
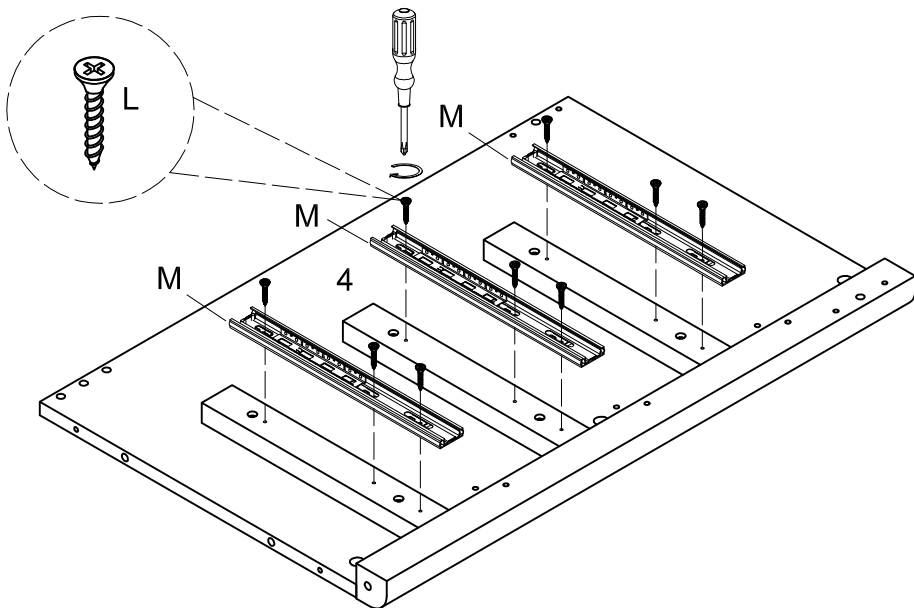
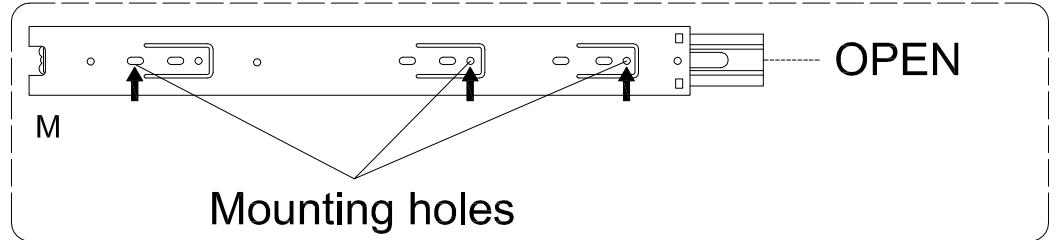


Philips head screwdriver required for assembly
(not included)

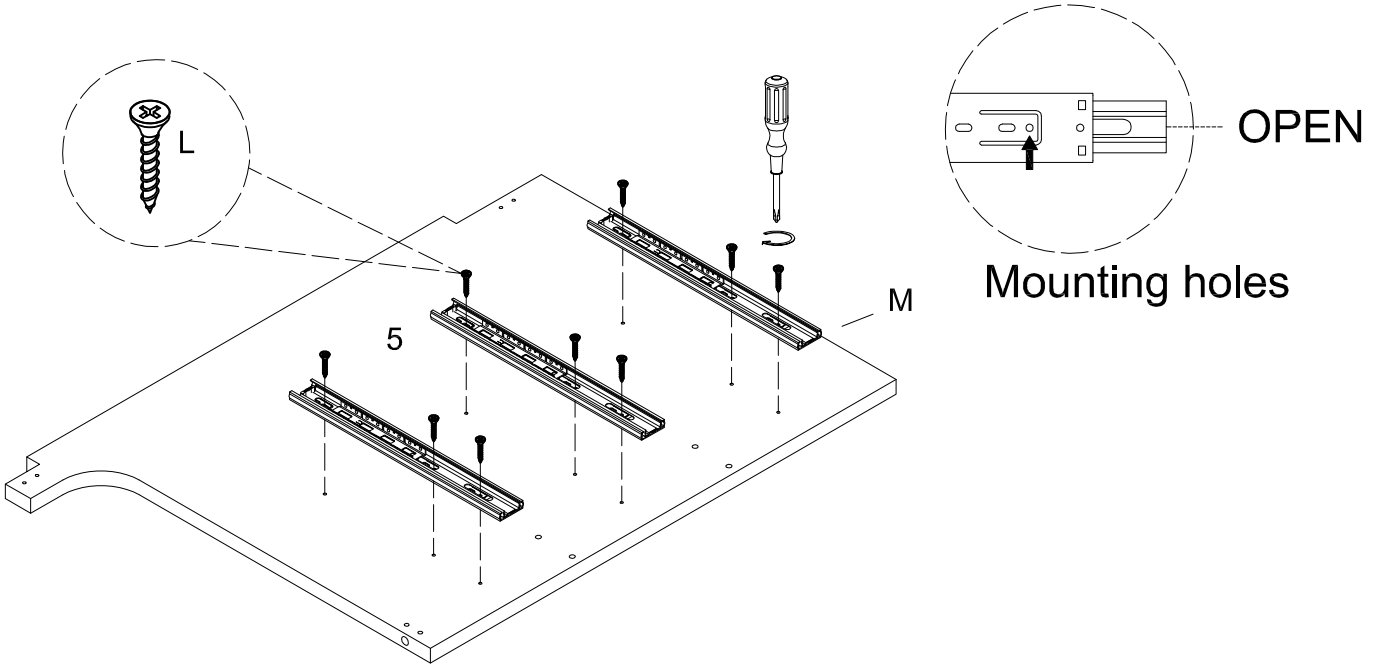
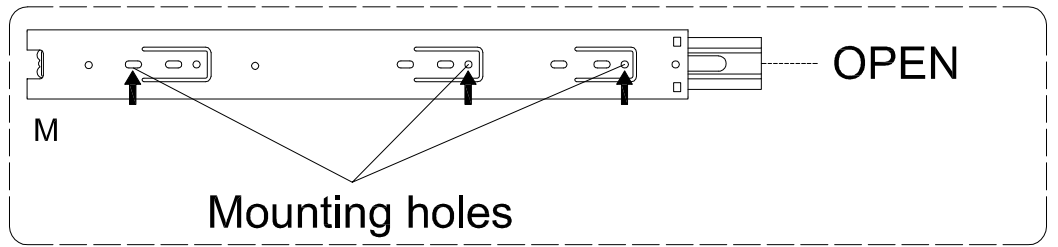
Step 1



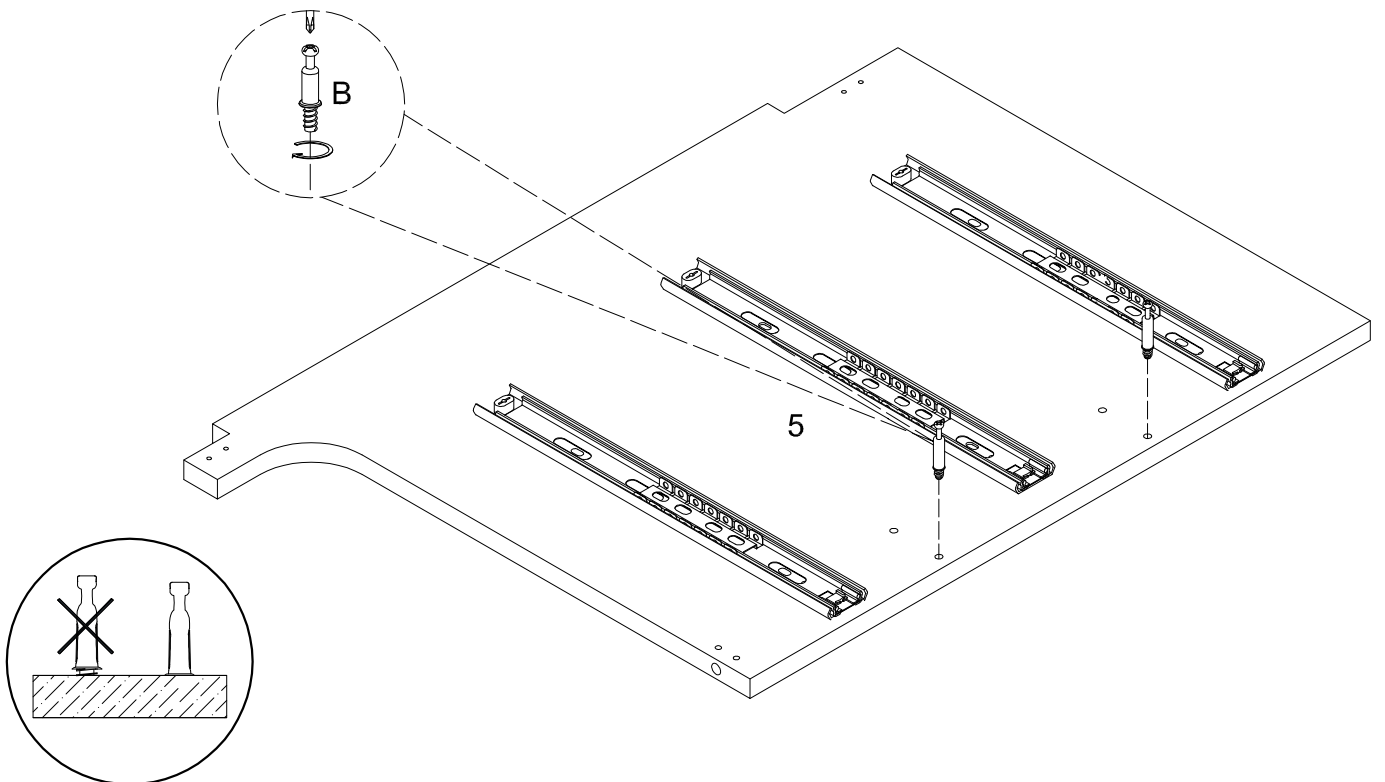
Step 2



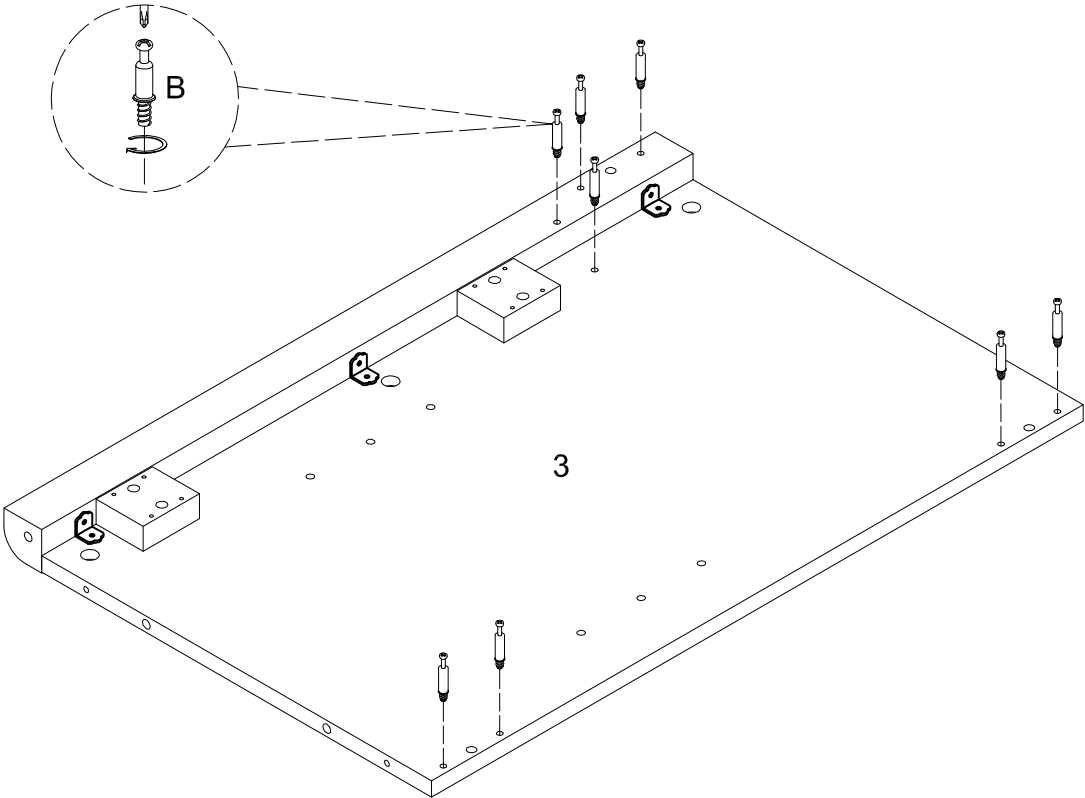
Step 3



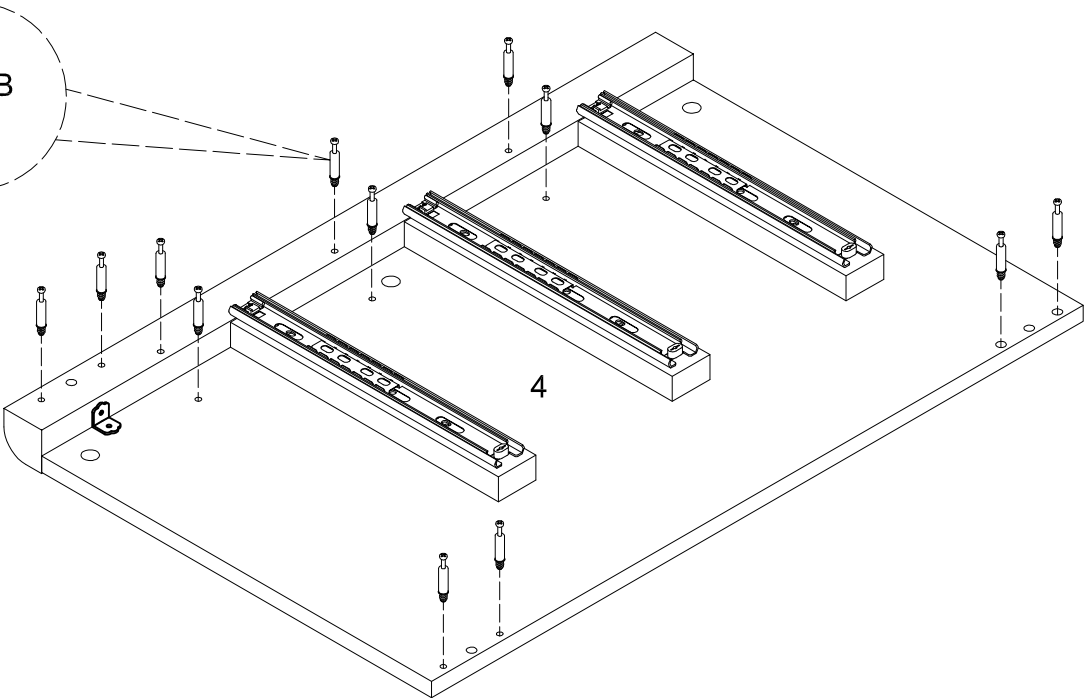
Step 4



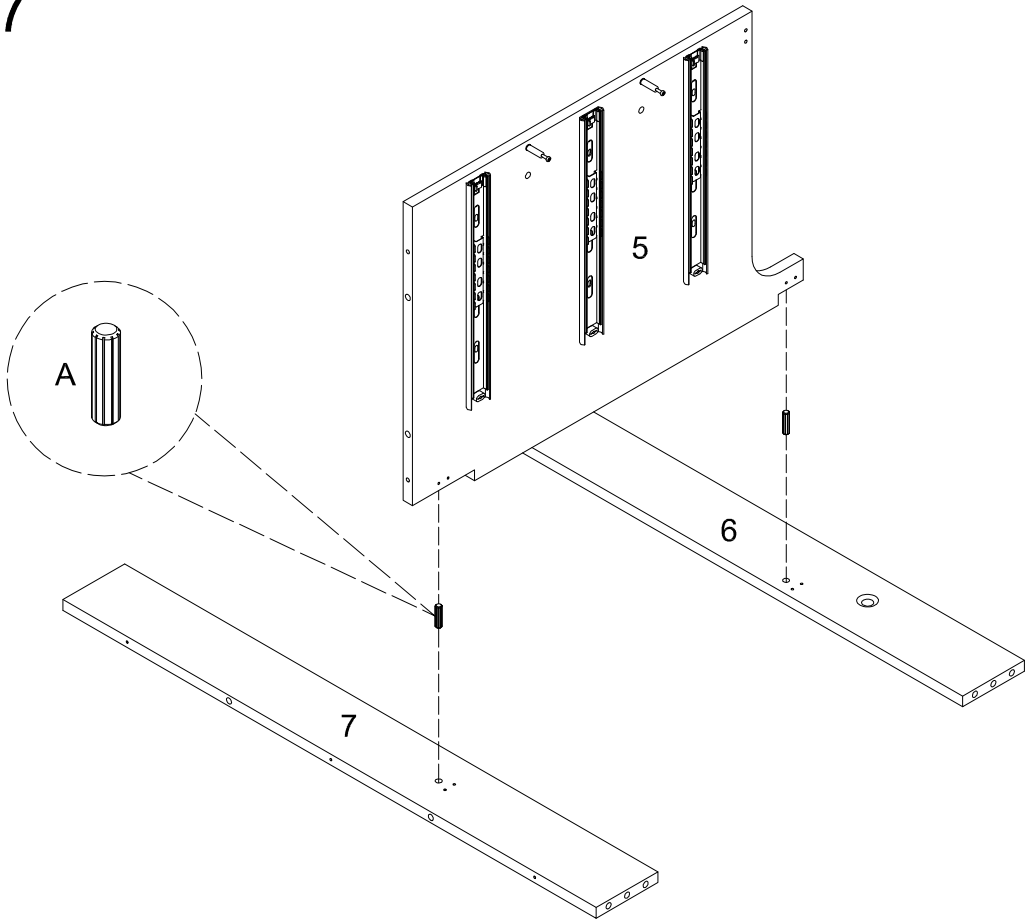
Step 5



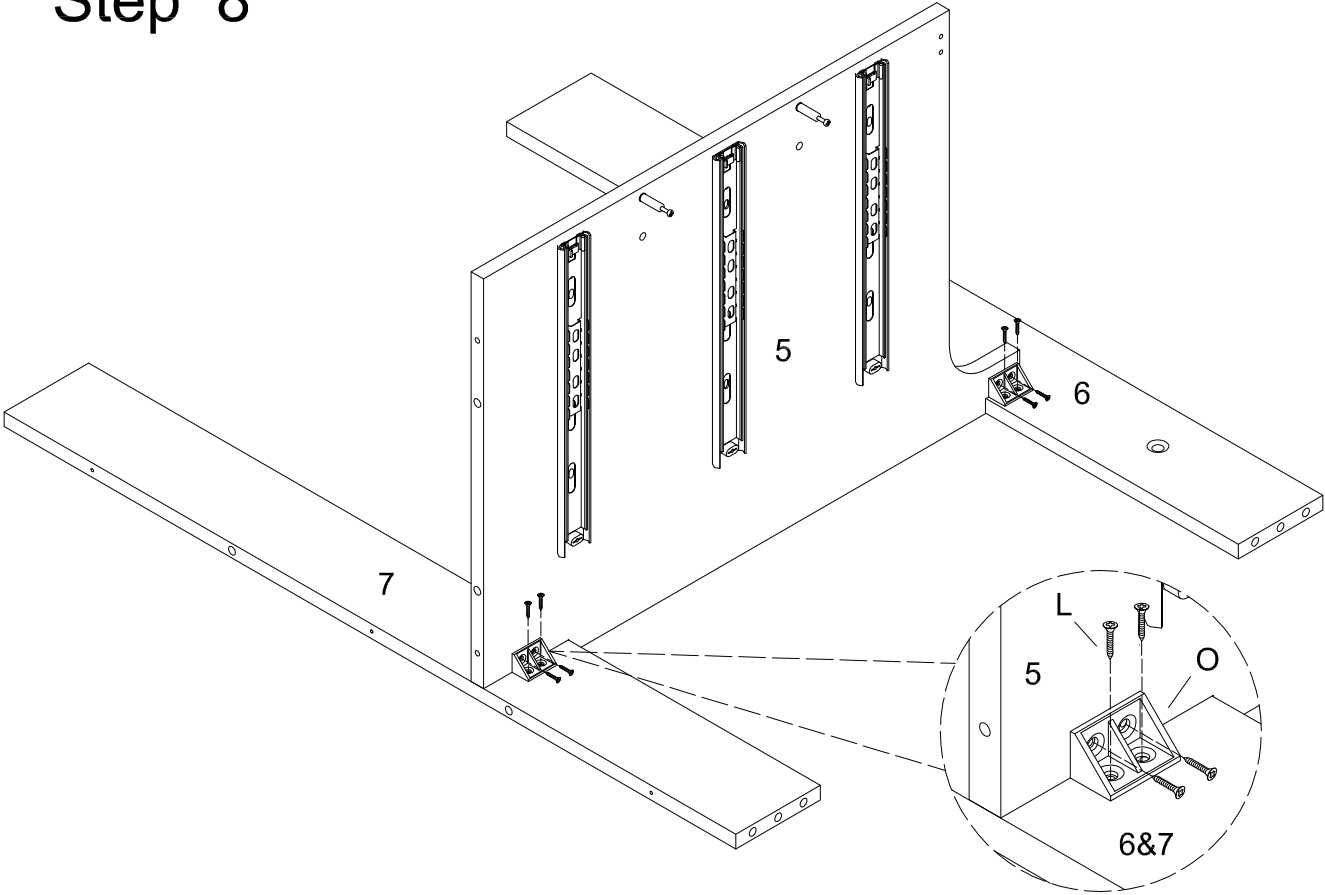
Step 6



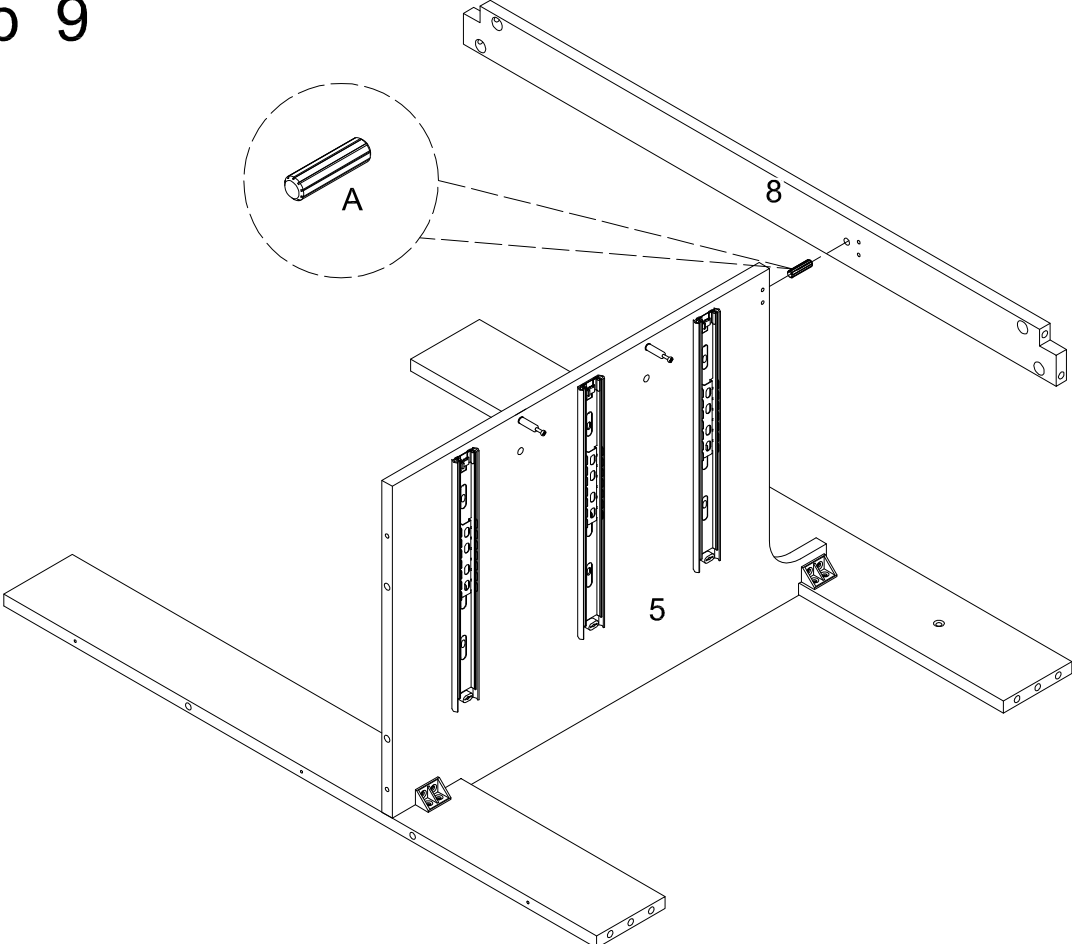
Step 7



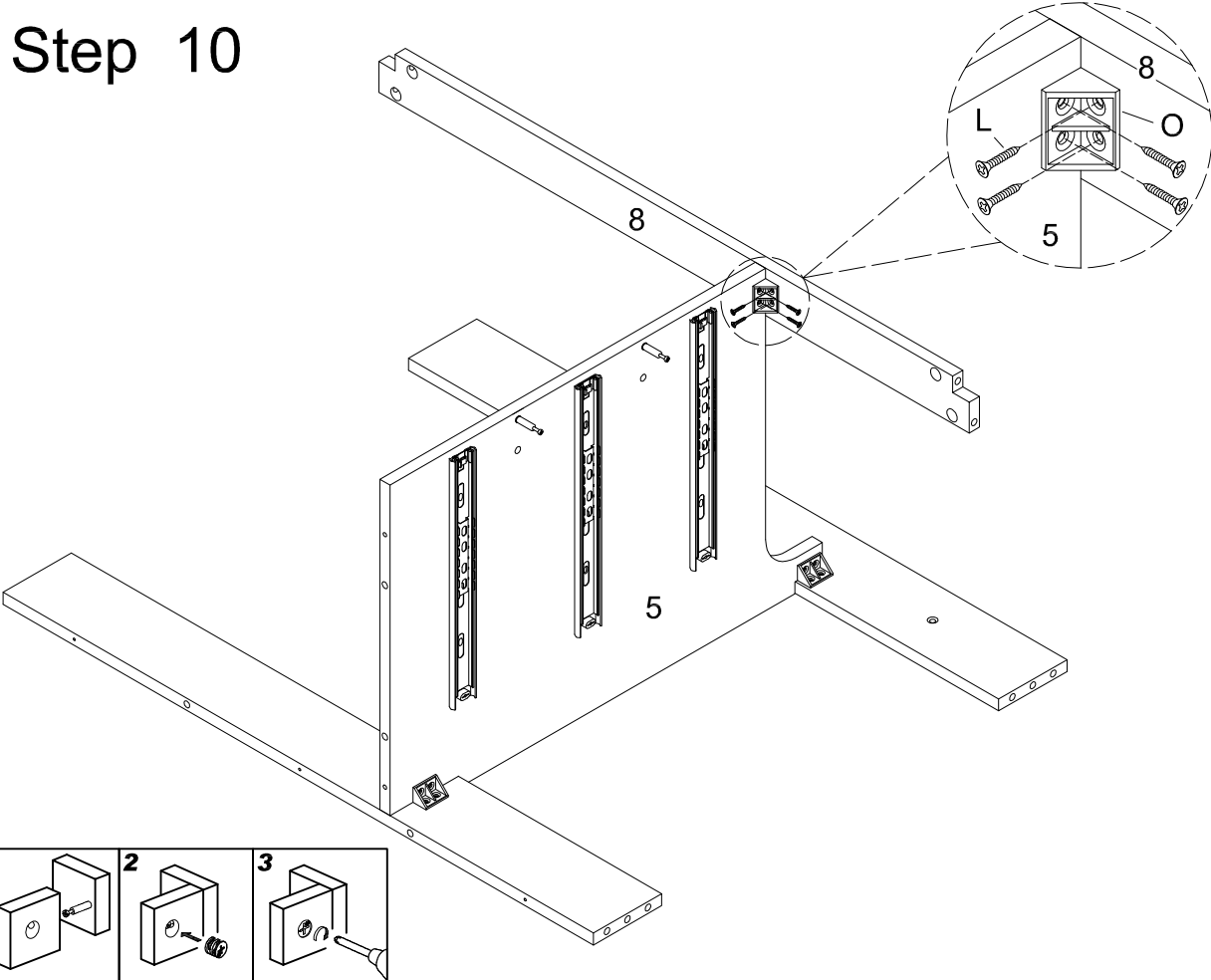
Step 8



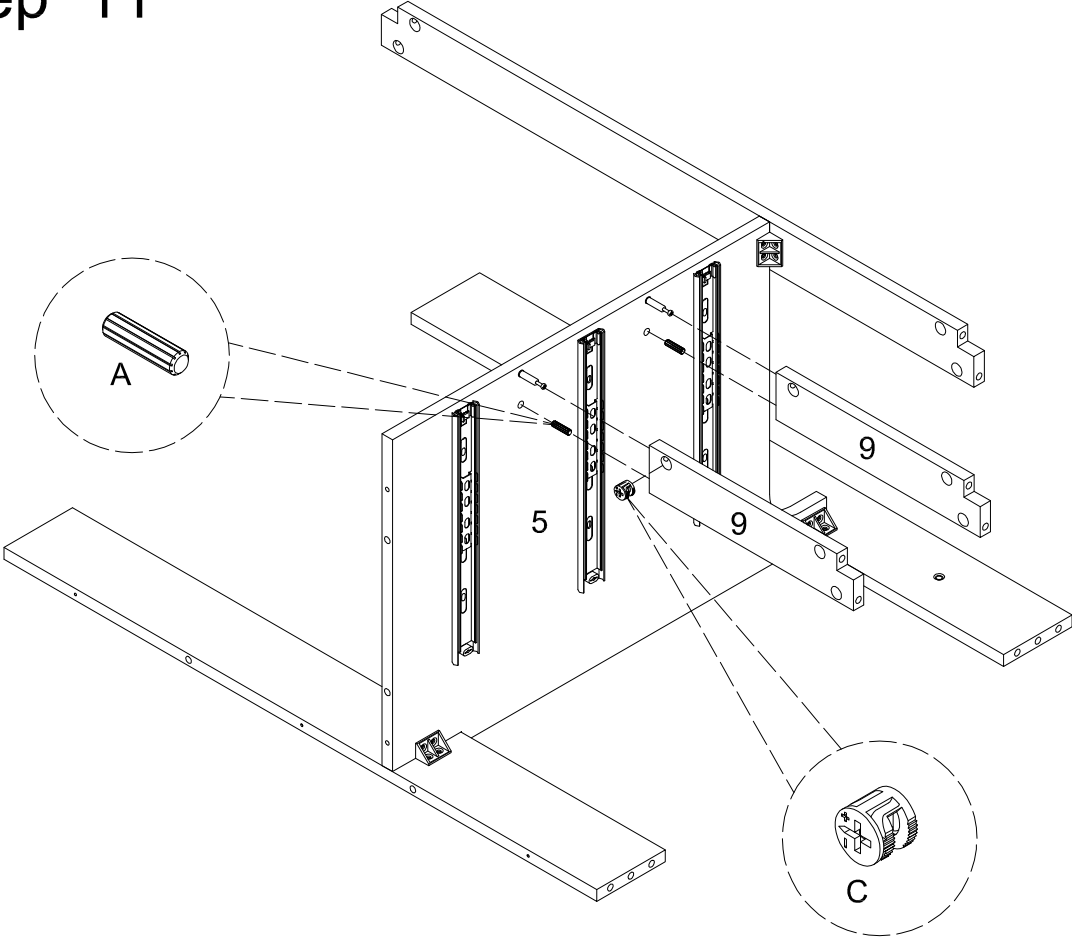
Step 9



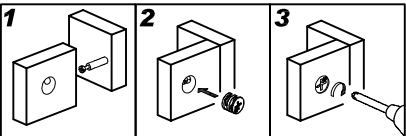
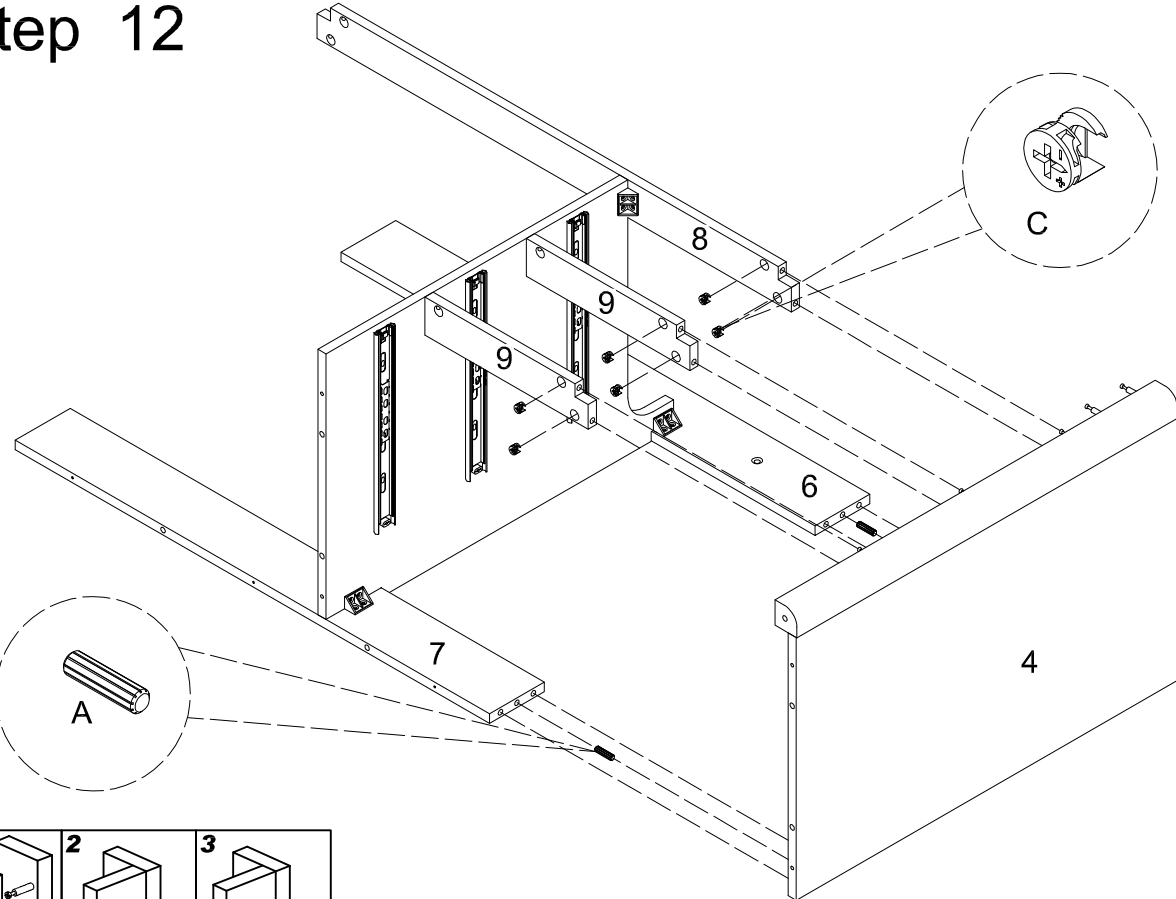
Step 10



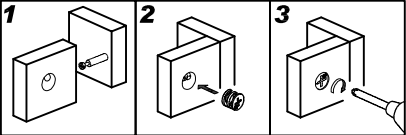
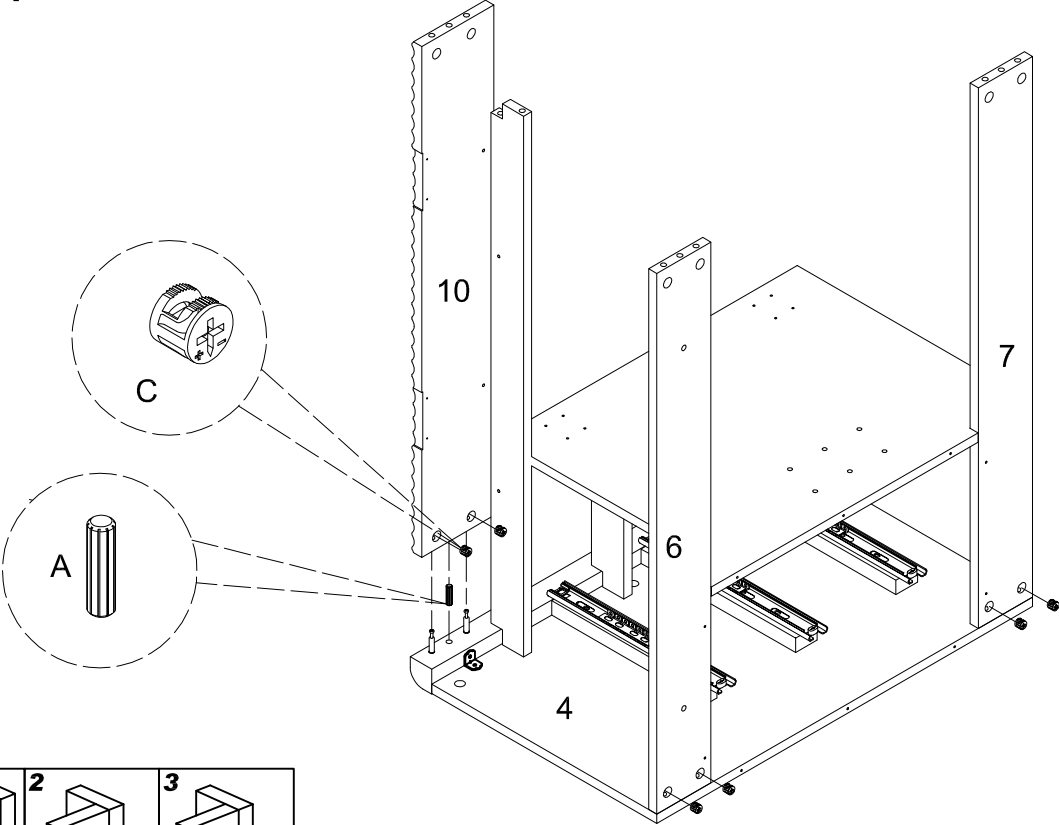
Step 11



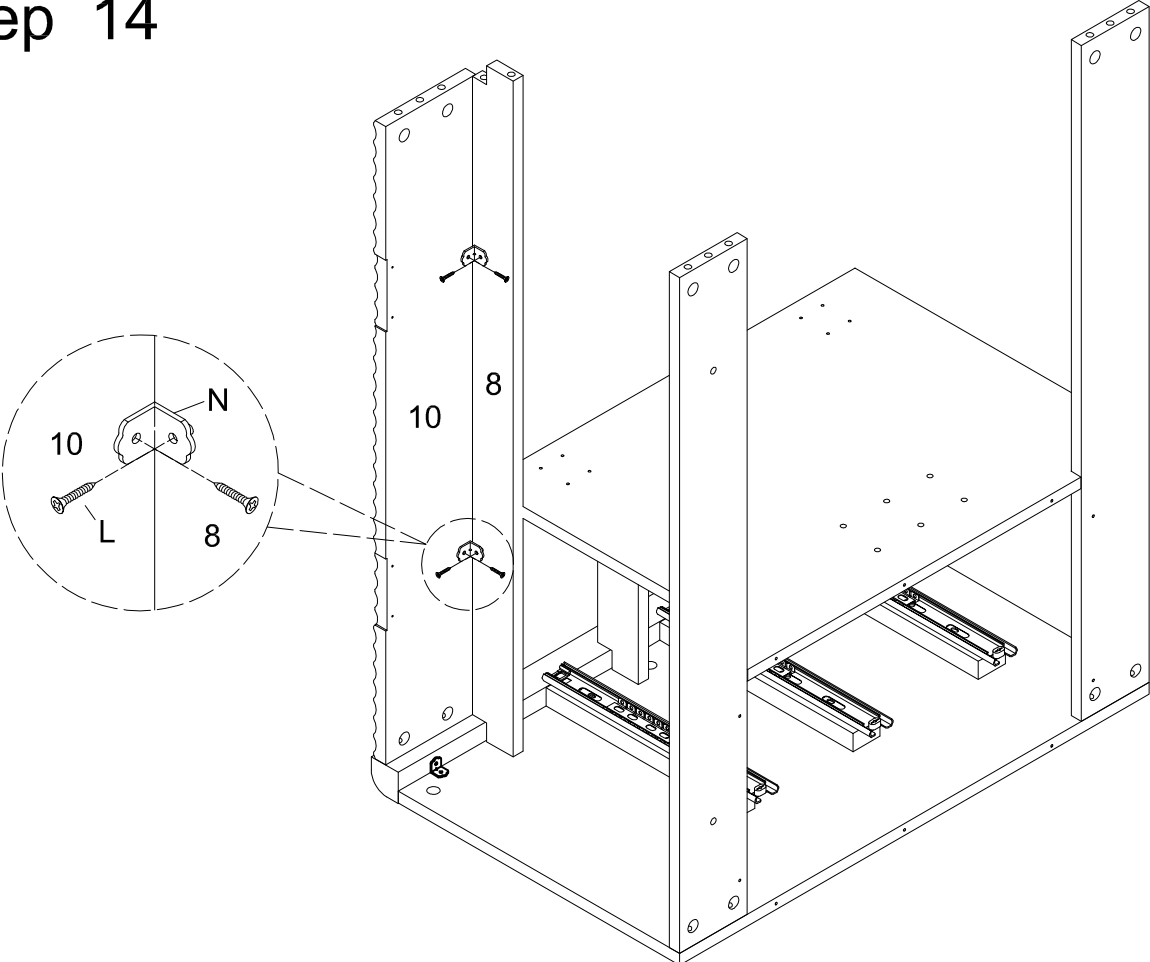
Step 12



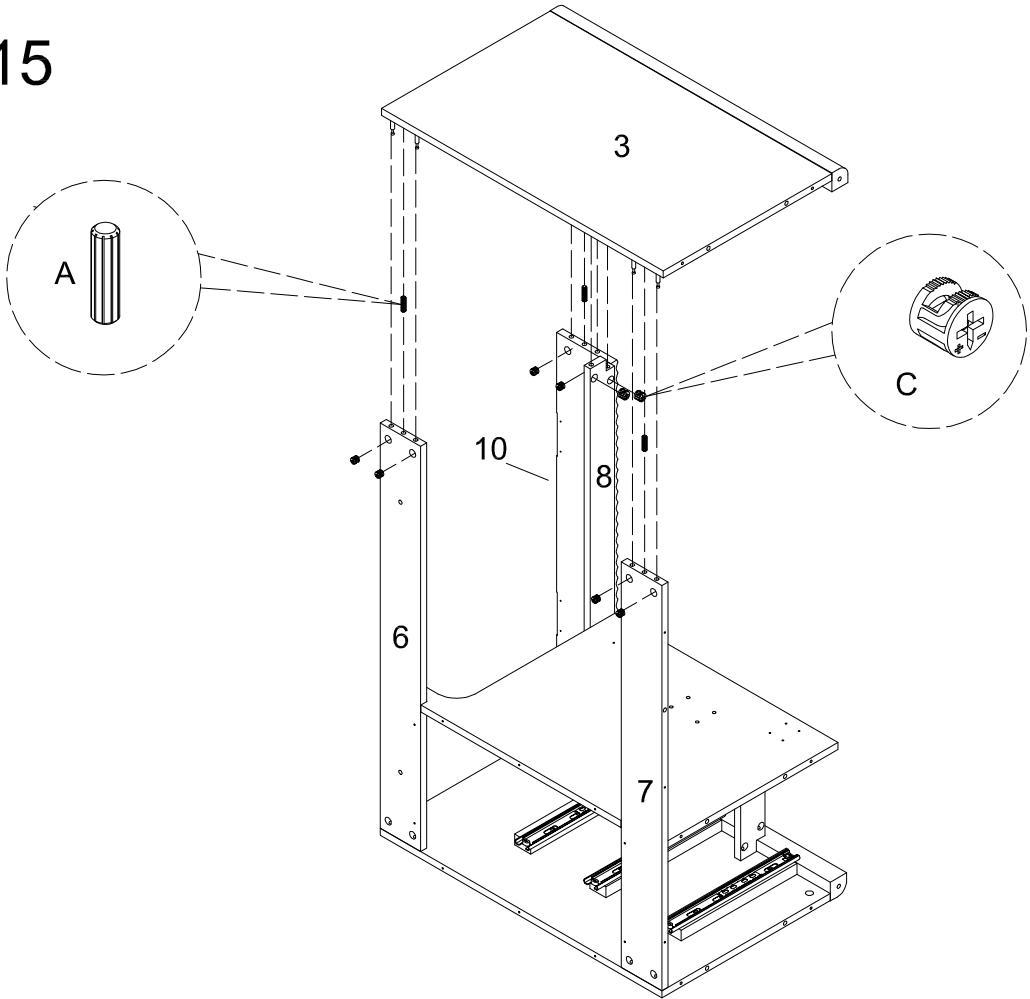
Step 13



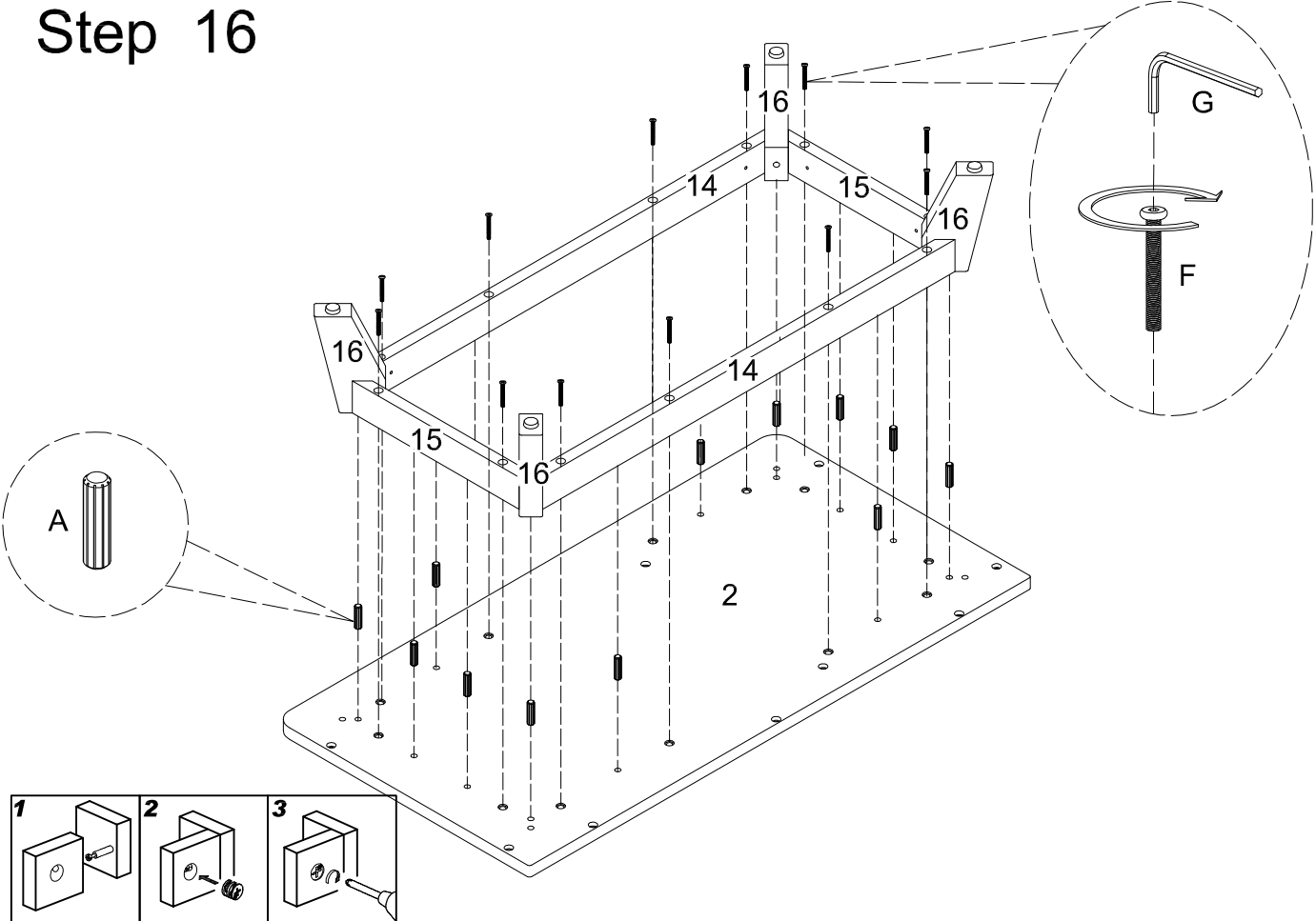
Step 14



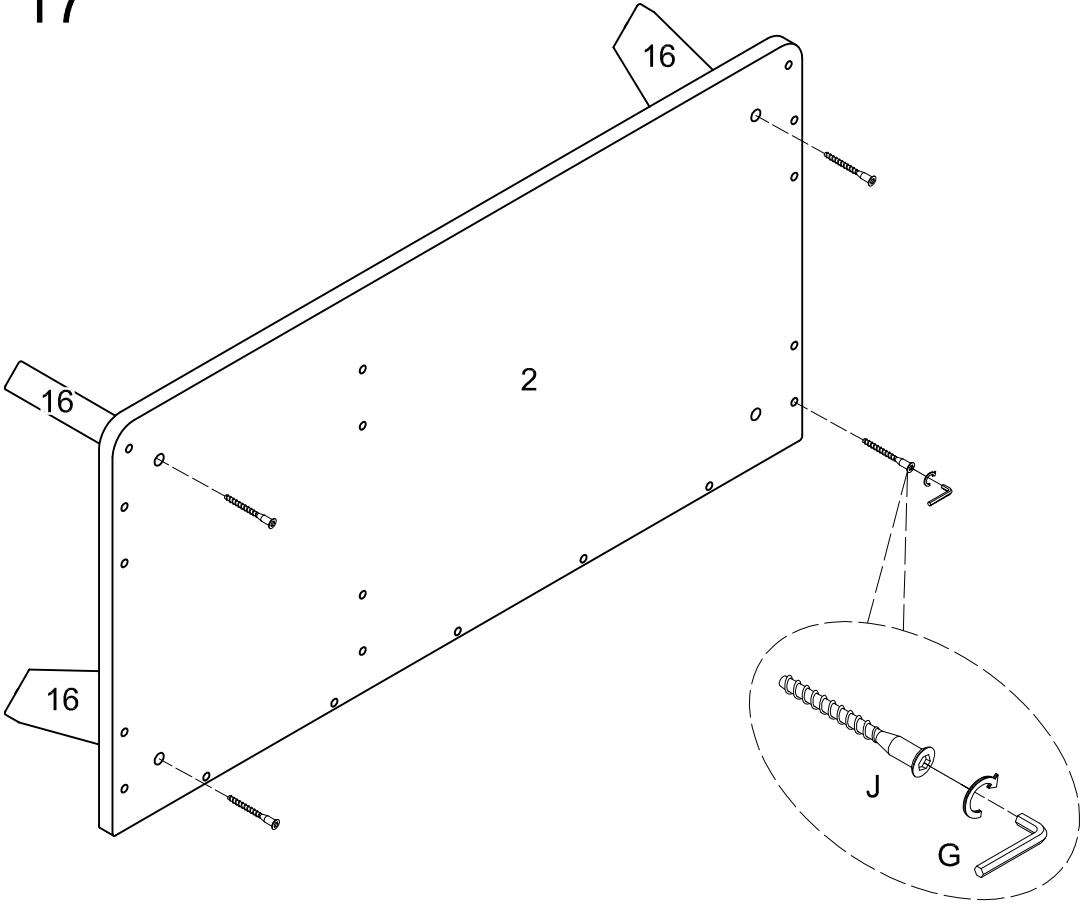
Step 15



Step 16

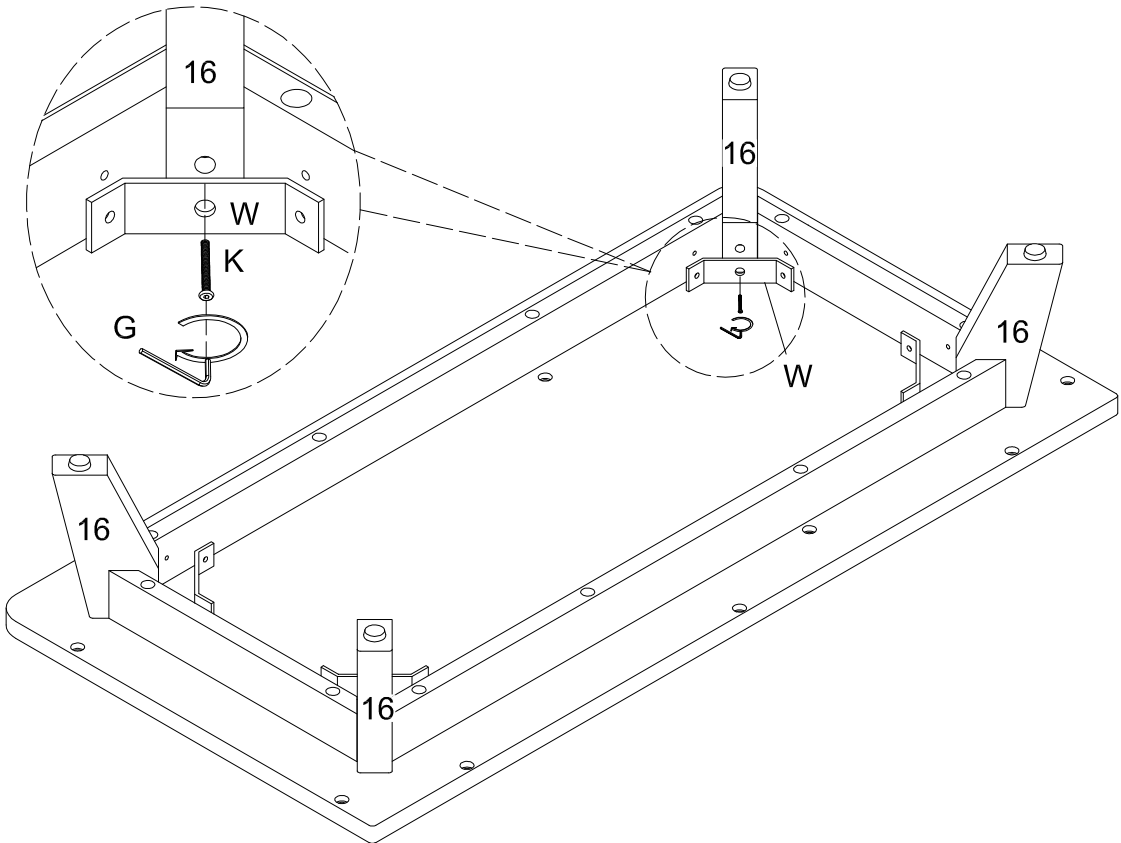


Step 17

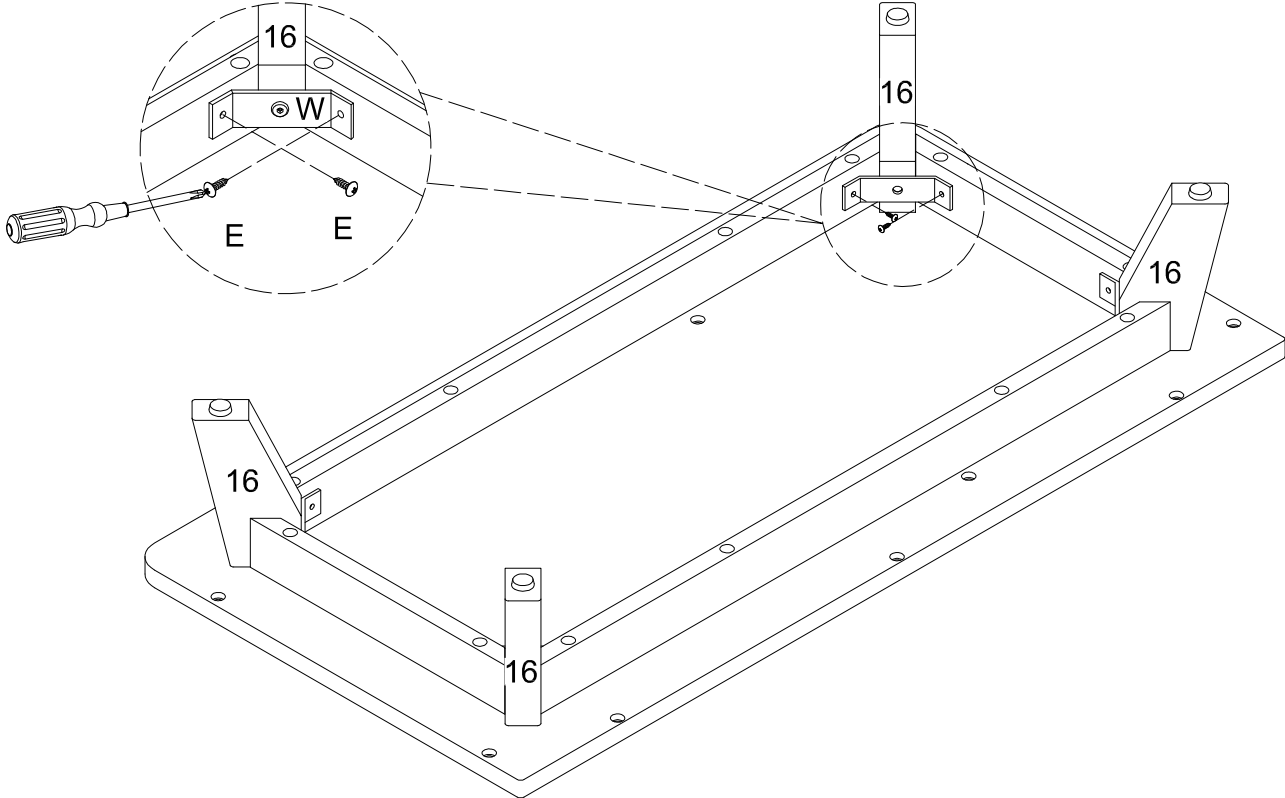


Step 18

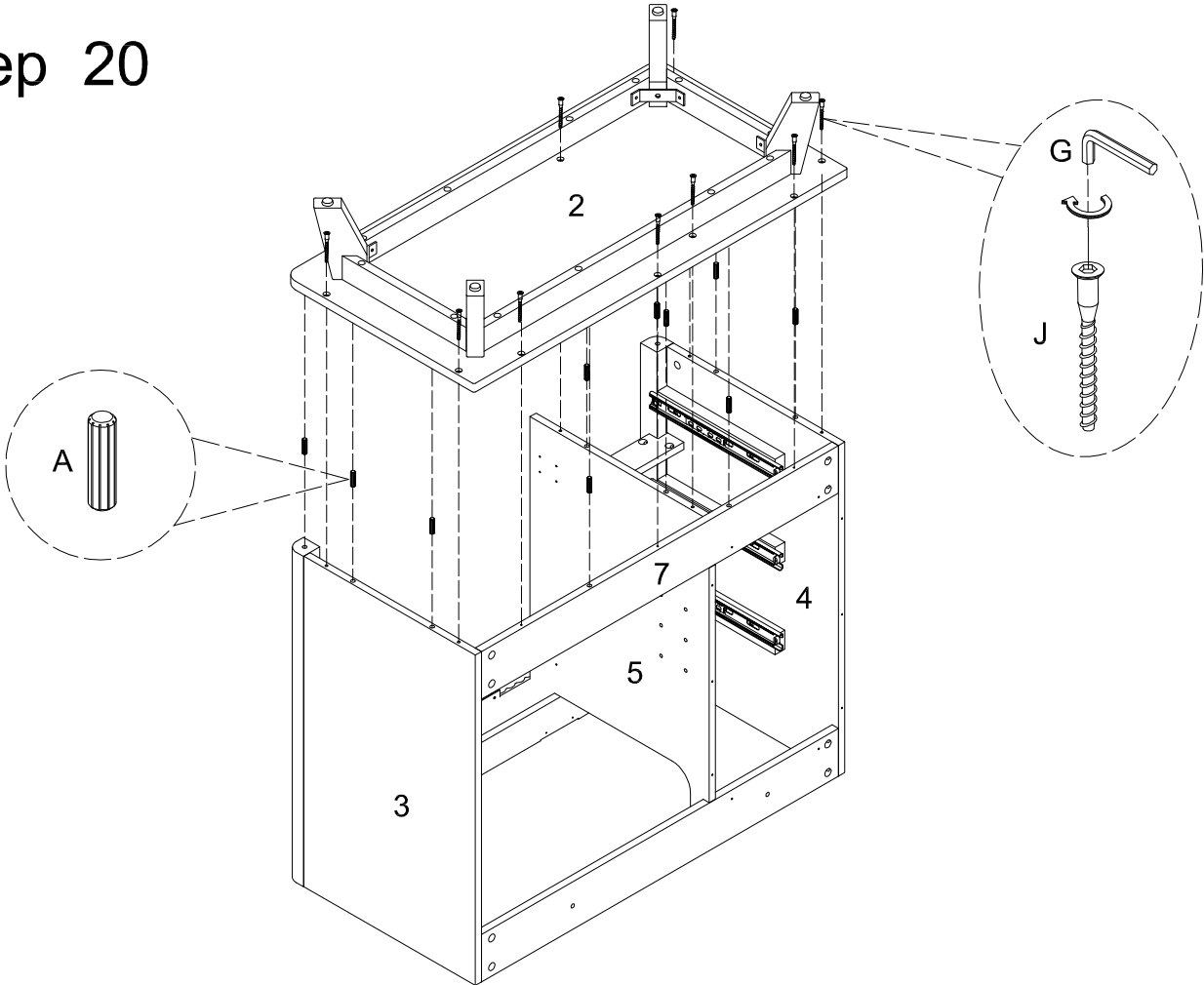
Note: Do not over tighten the bolt.



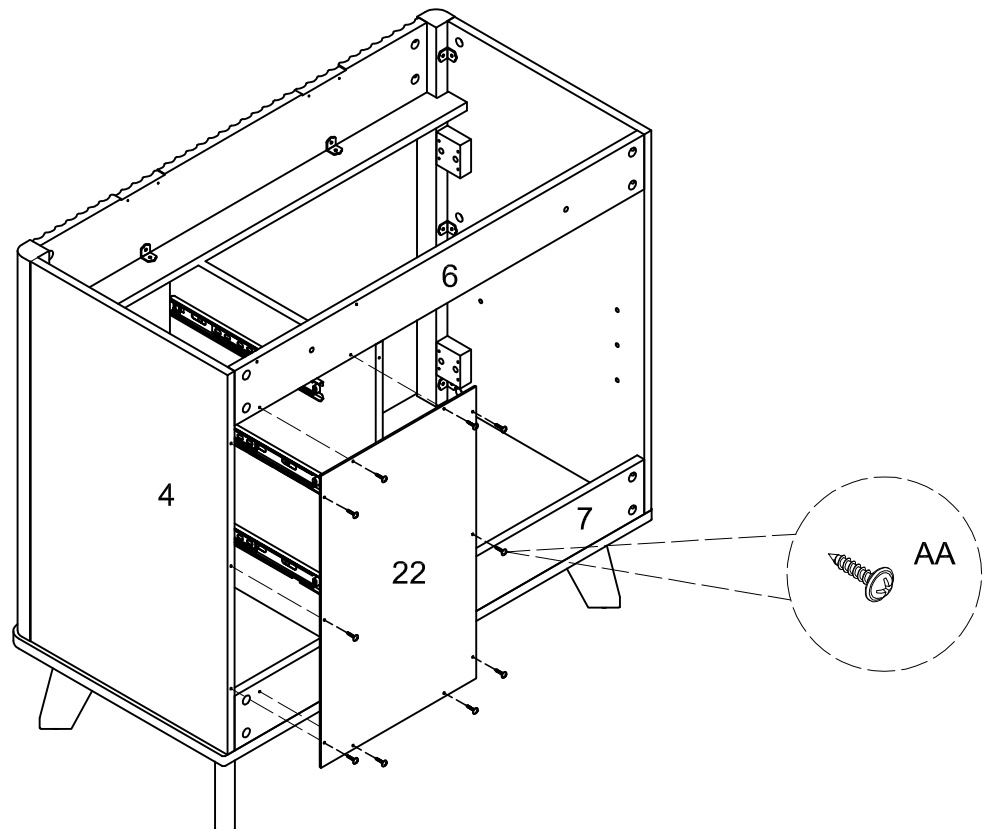
Step 19



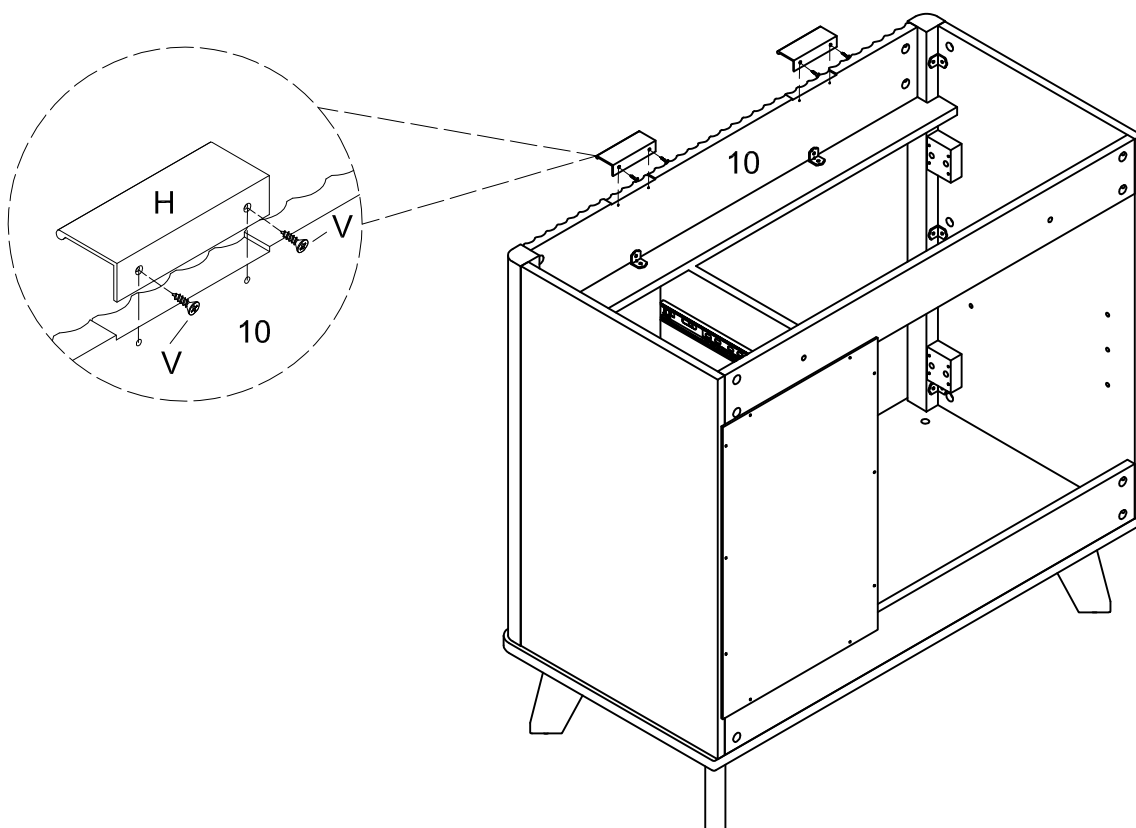
Step 20



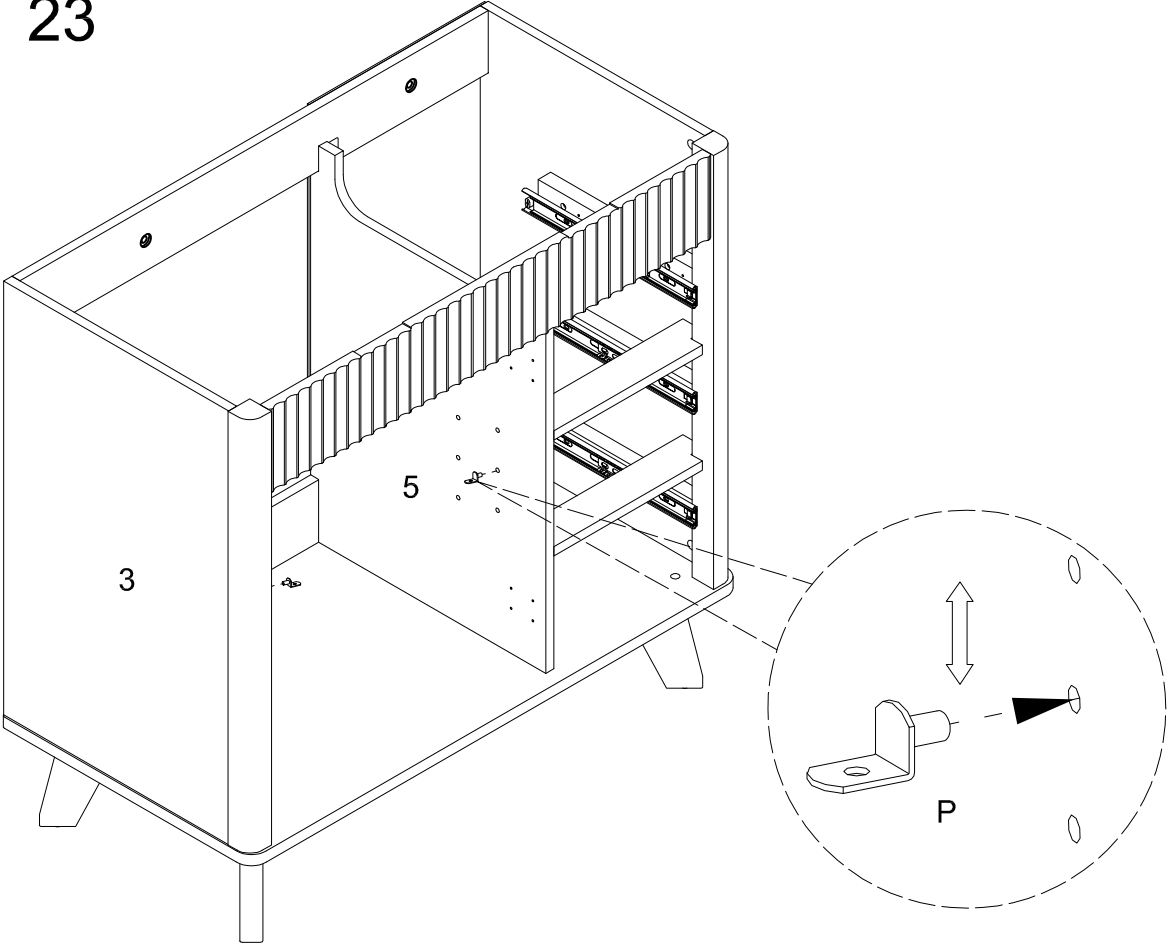
Step 21



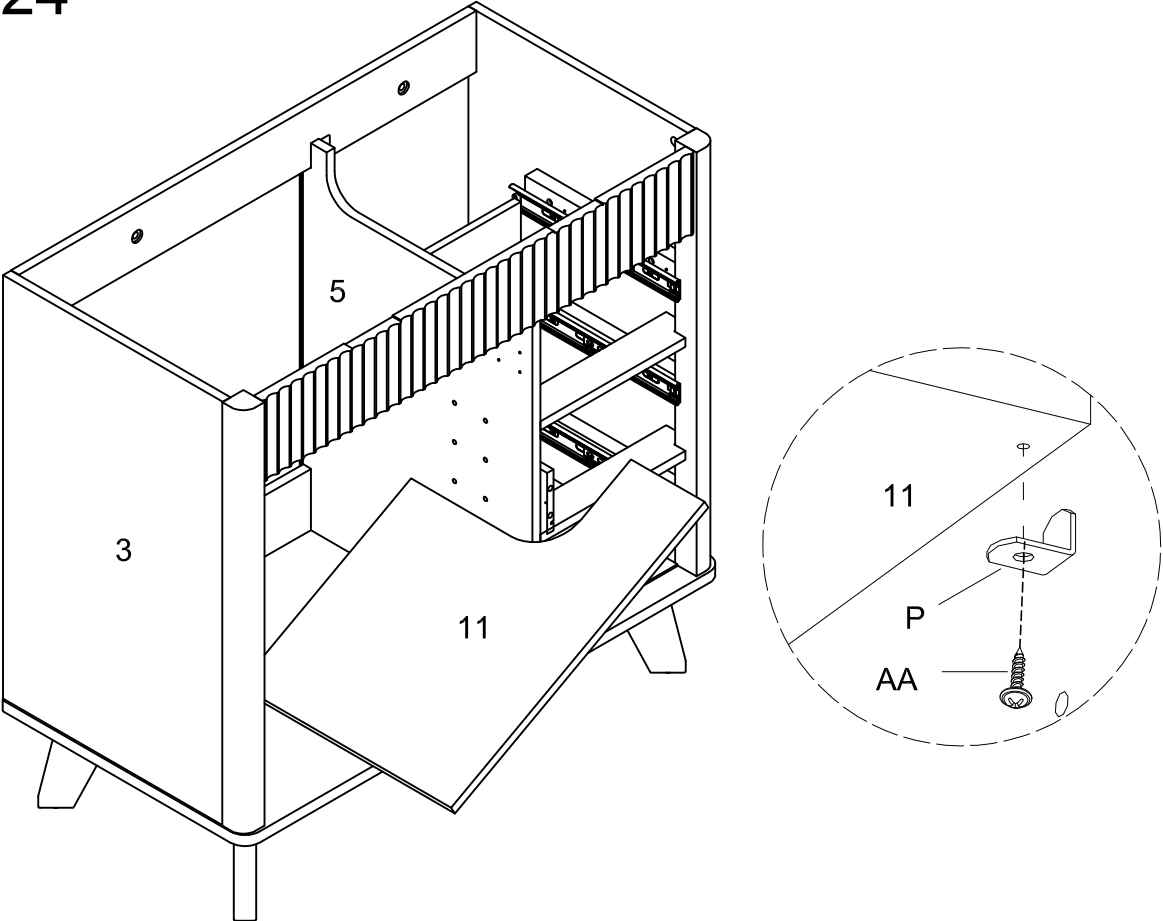
Step 22



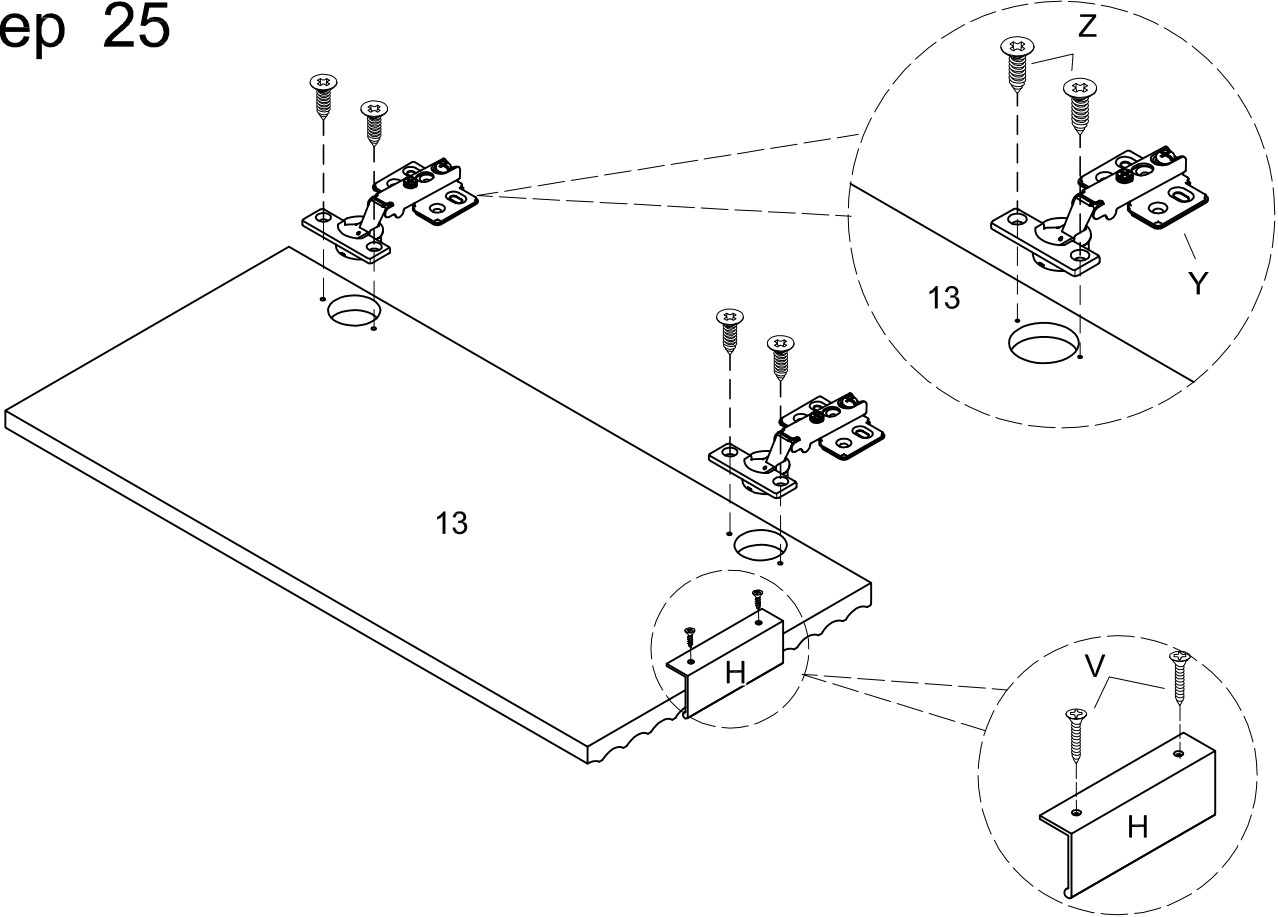
Step 23



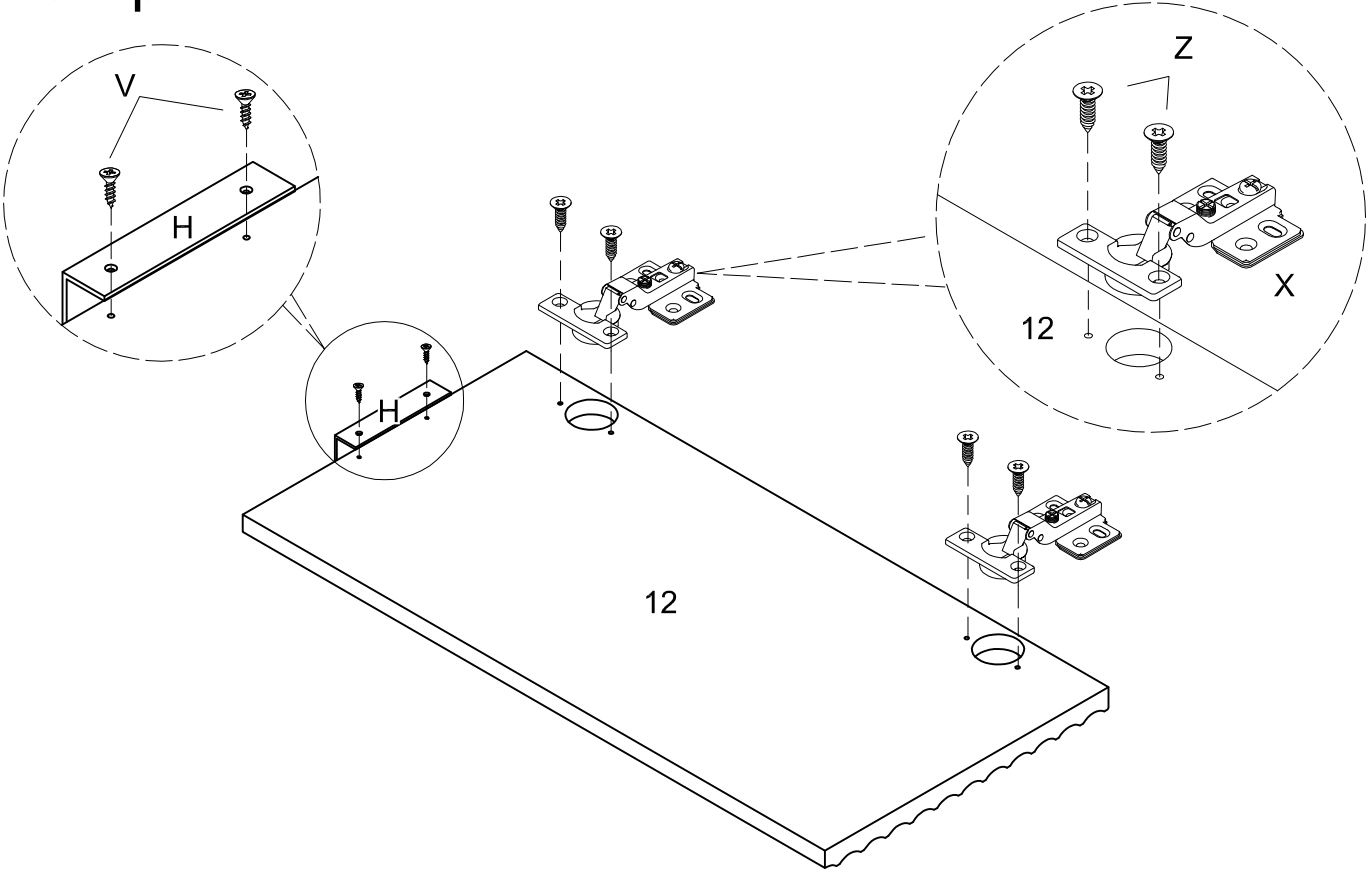
Step 24



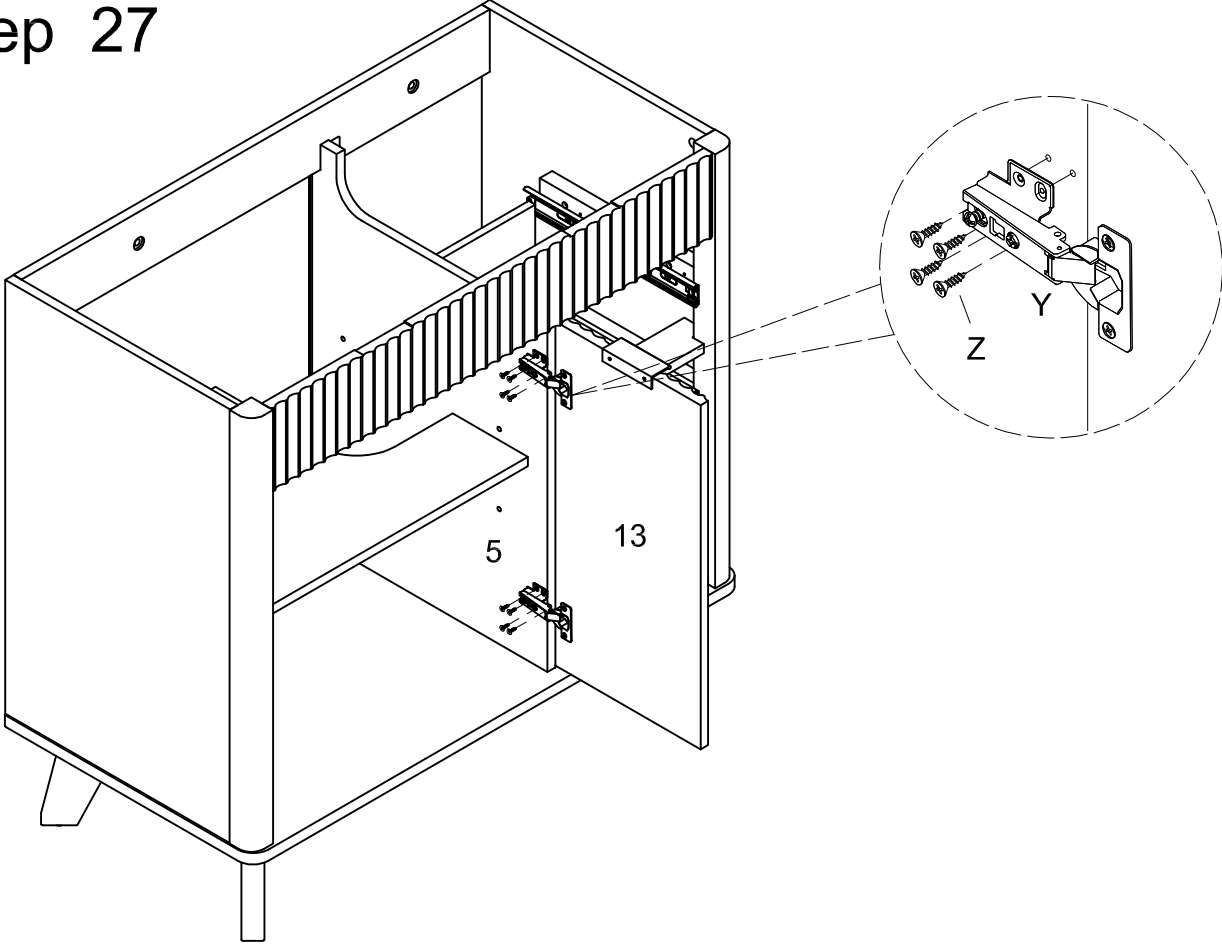
Step 25



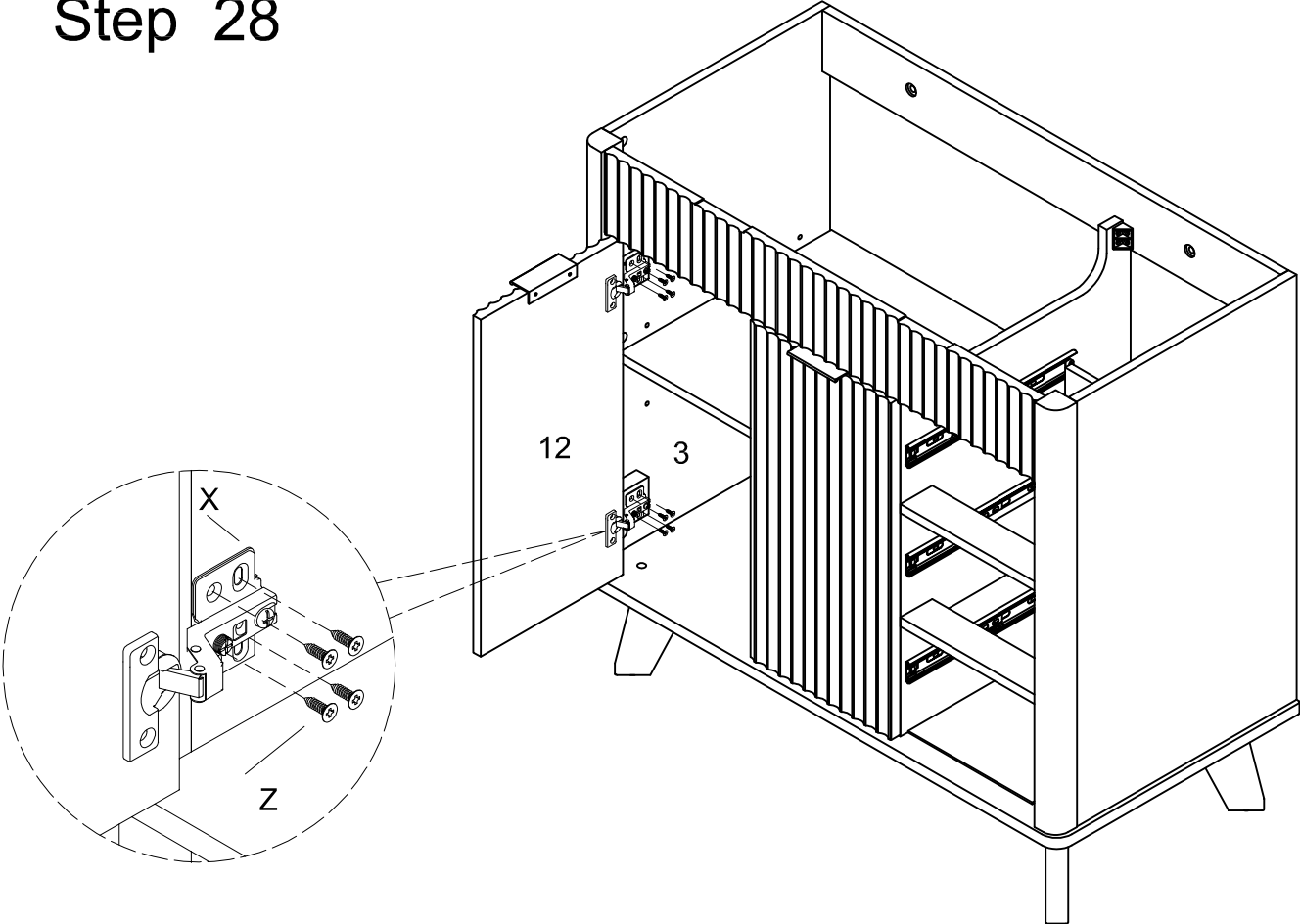
Step 26



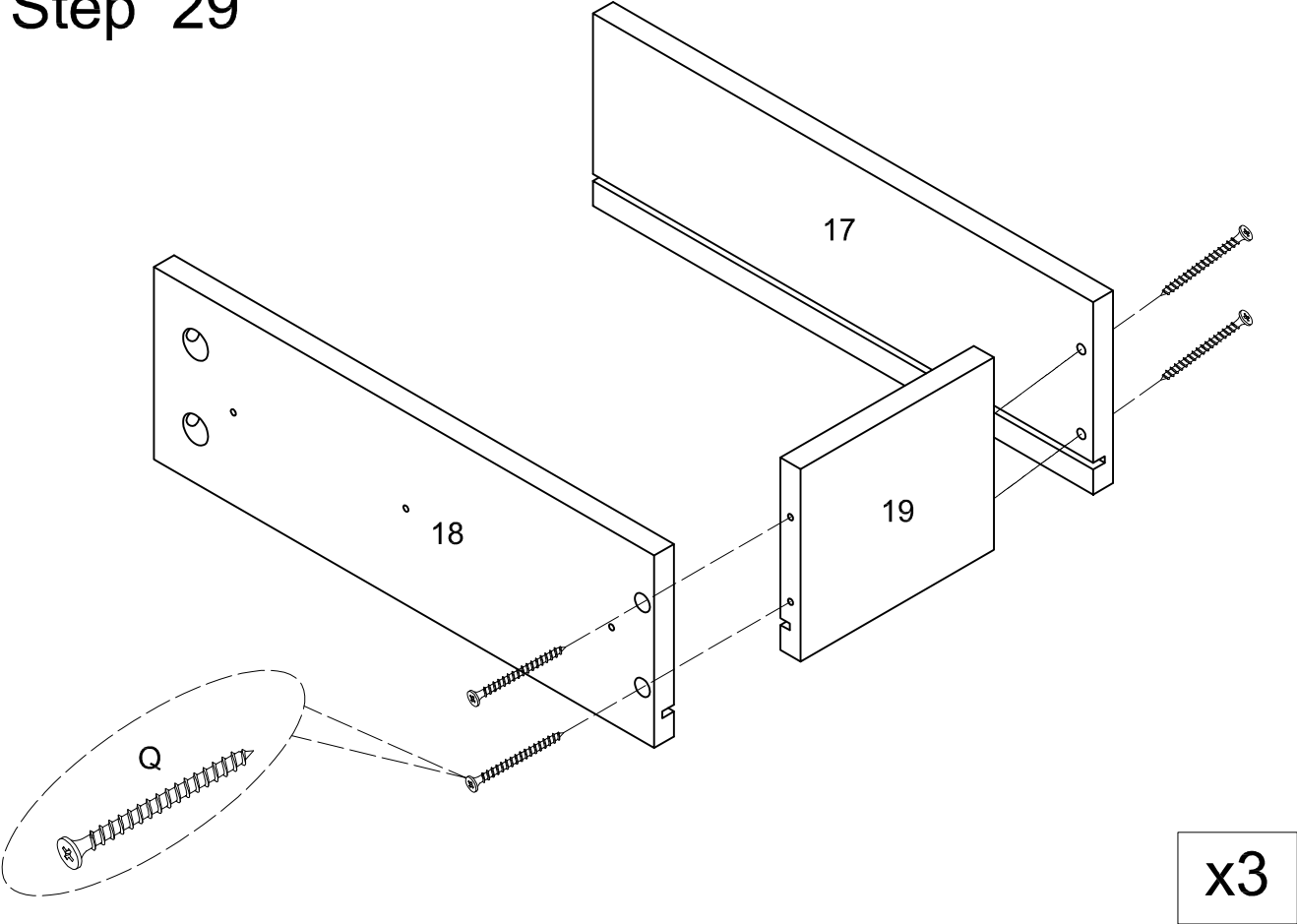
Step 27



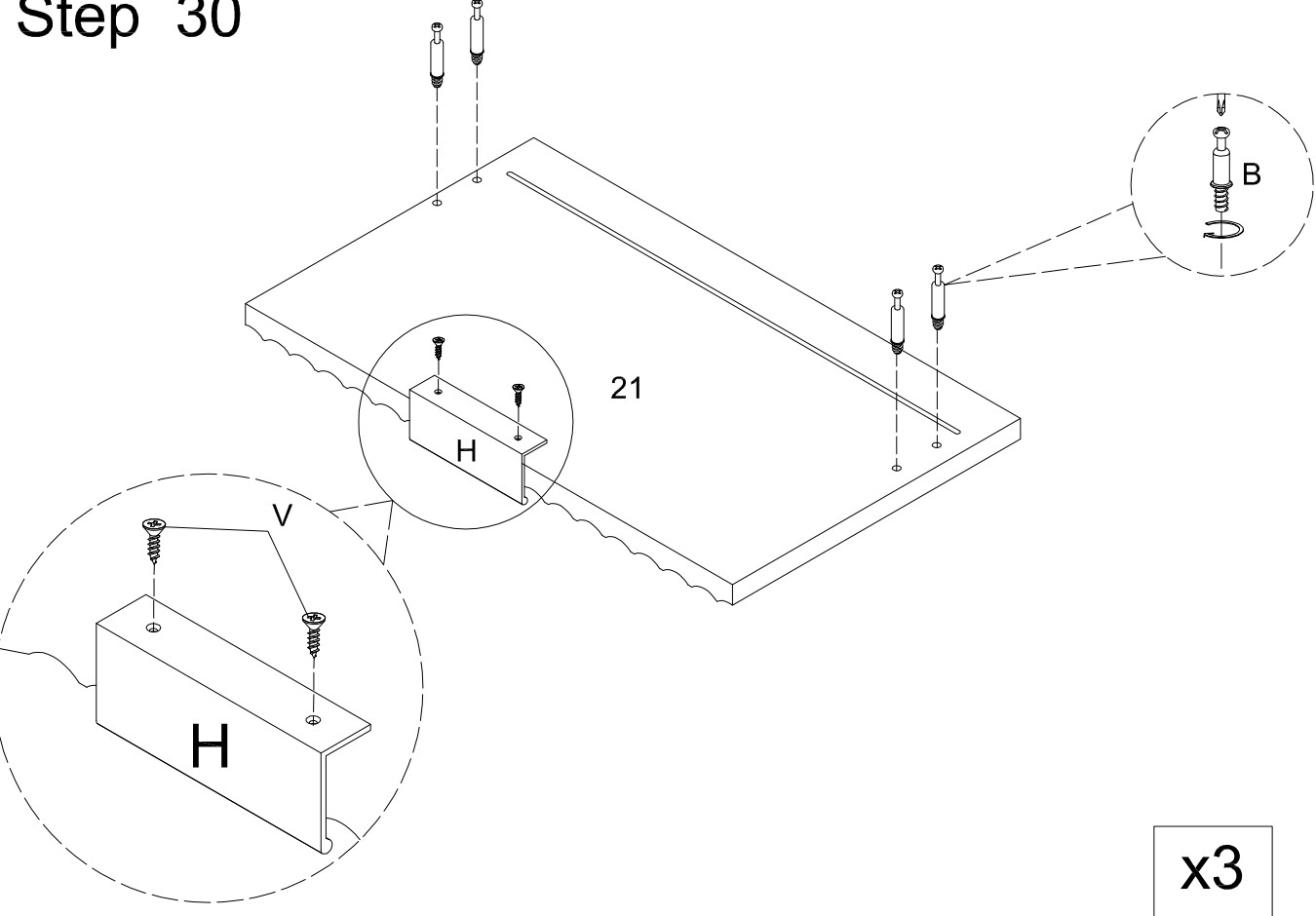
Step 28



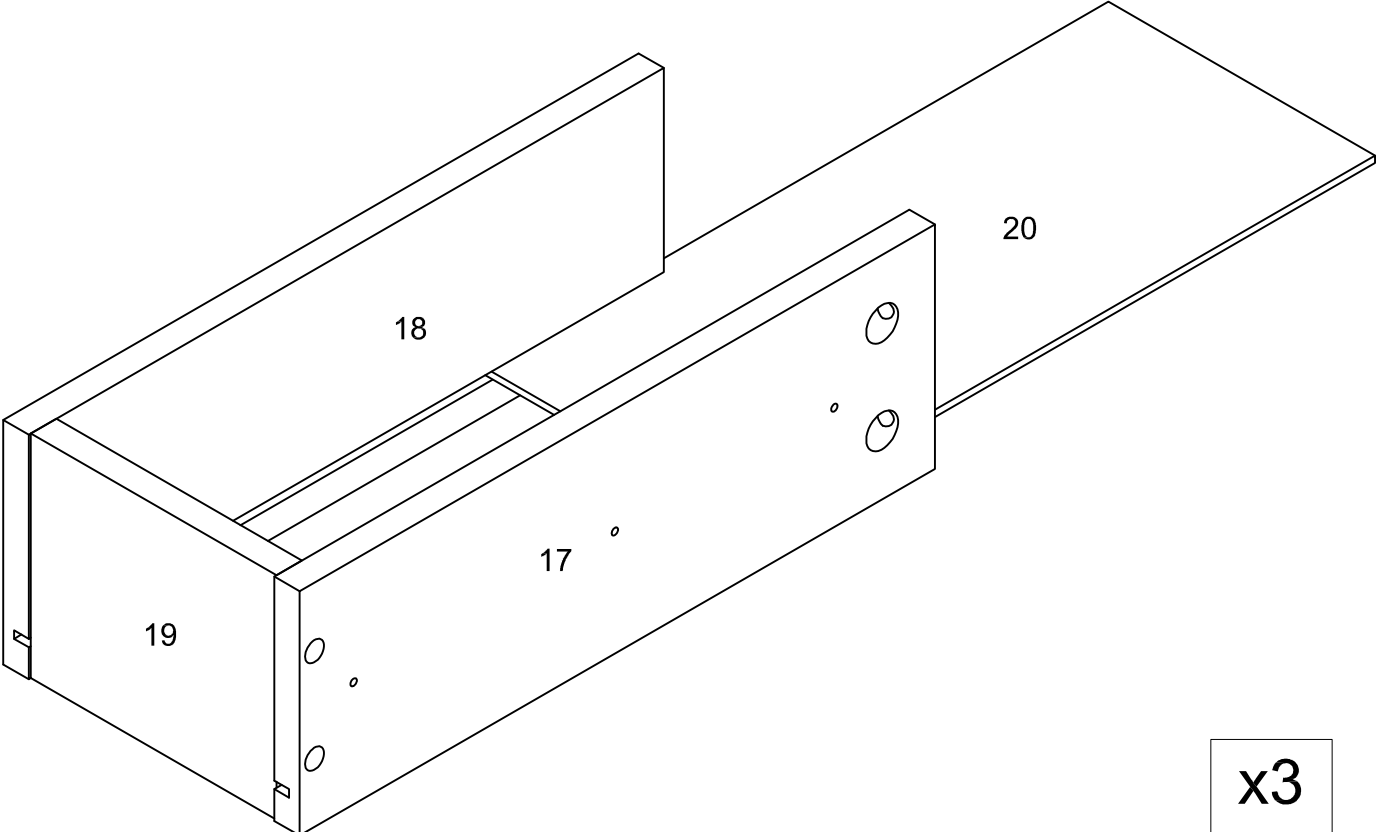
Step 29



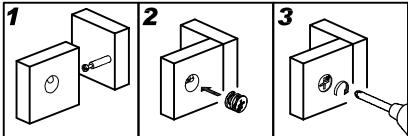
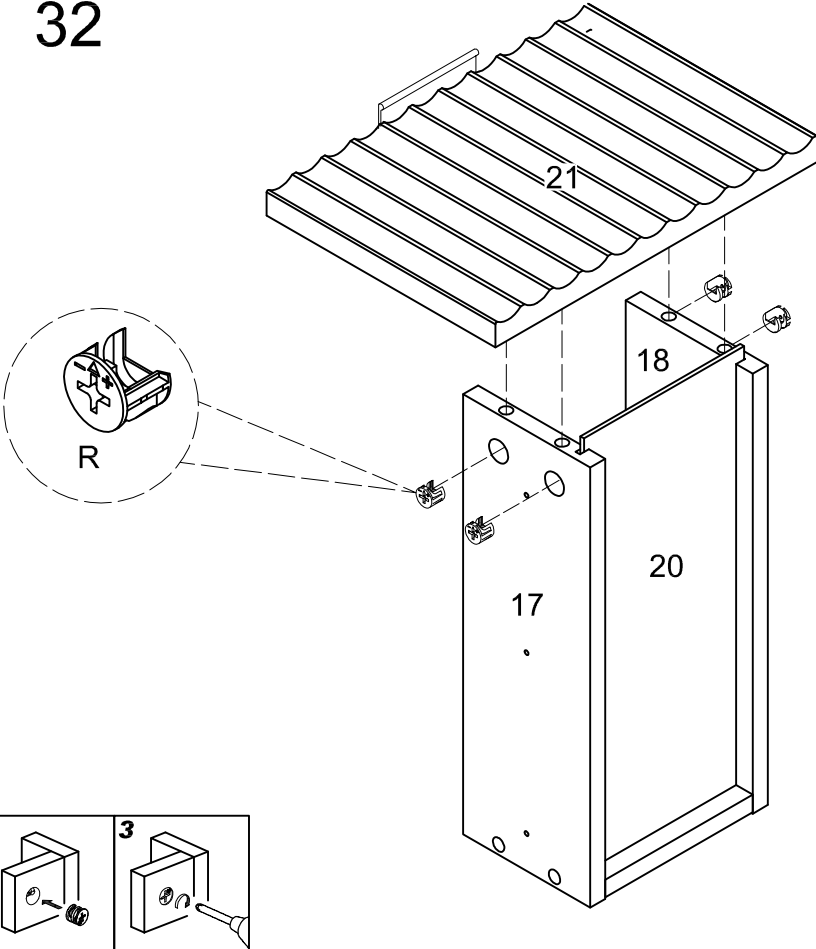
Step 30



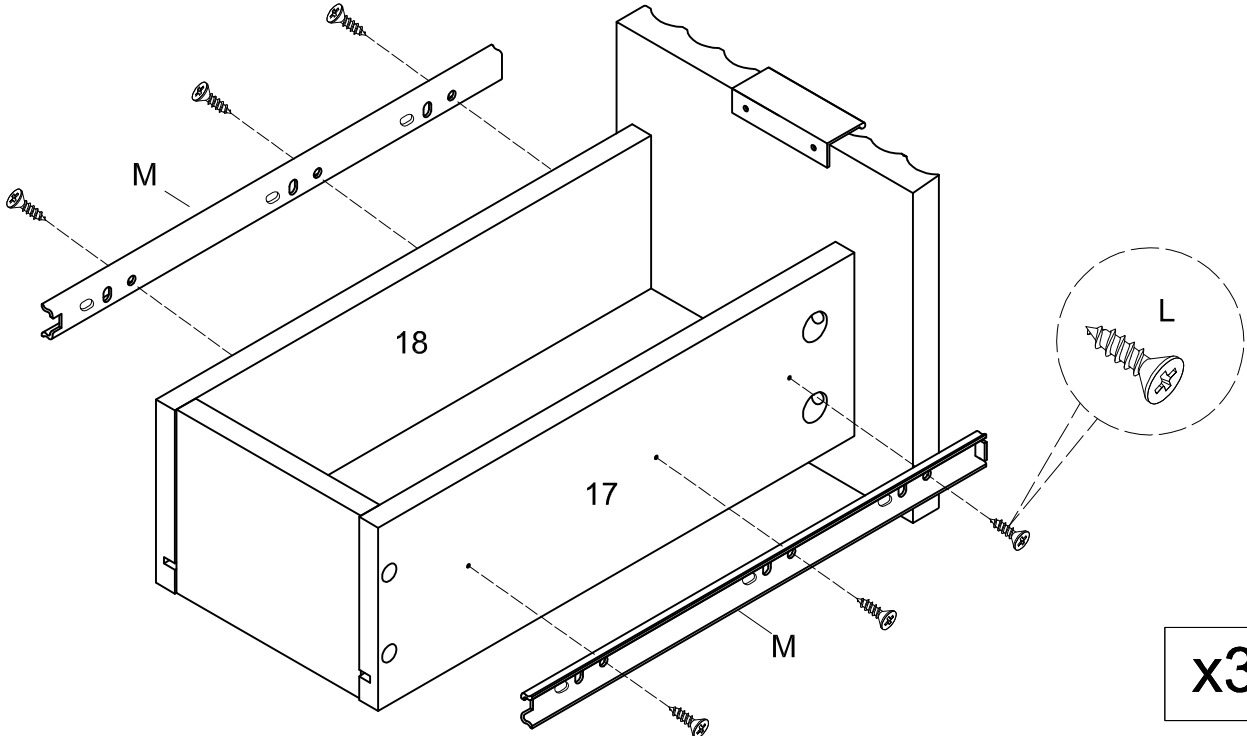
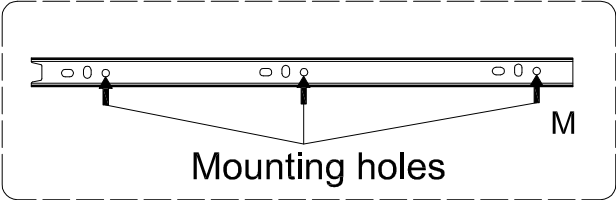
Step 31



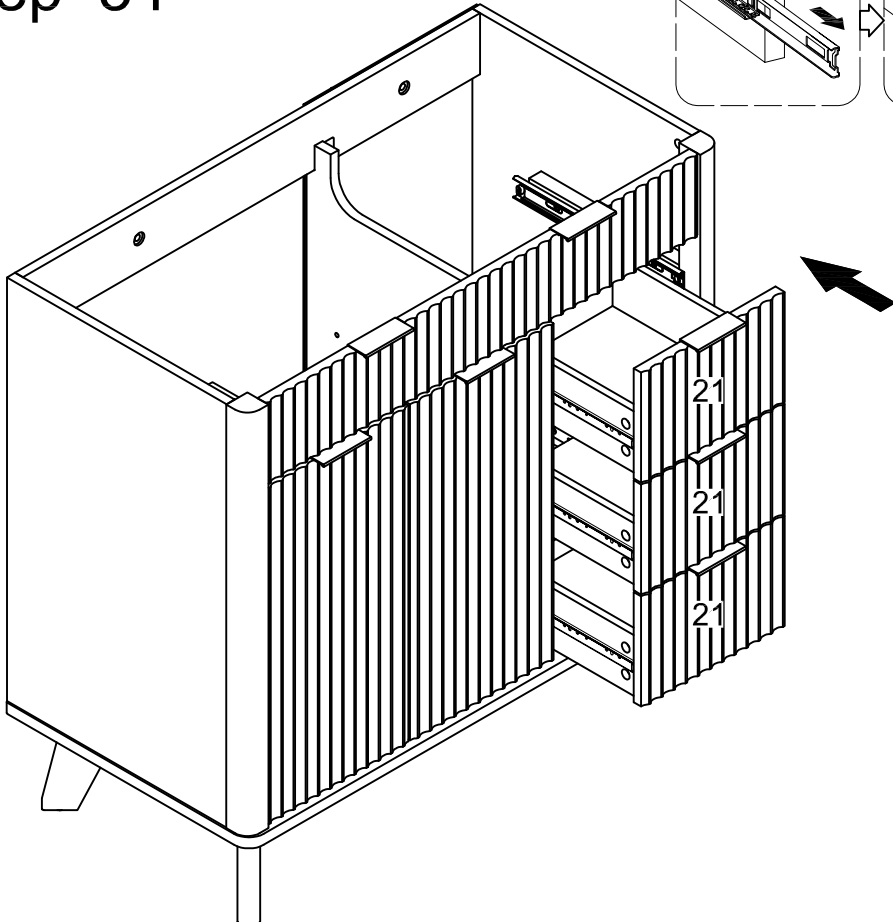
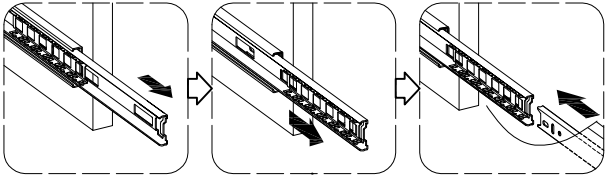
Step 32



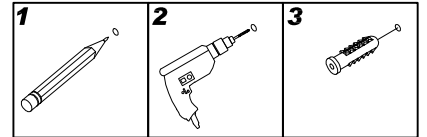
Step 33



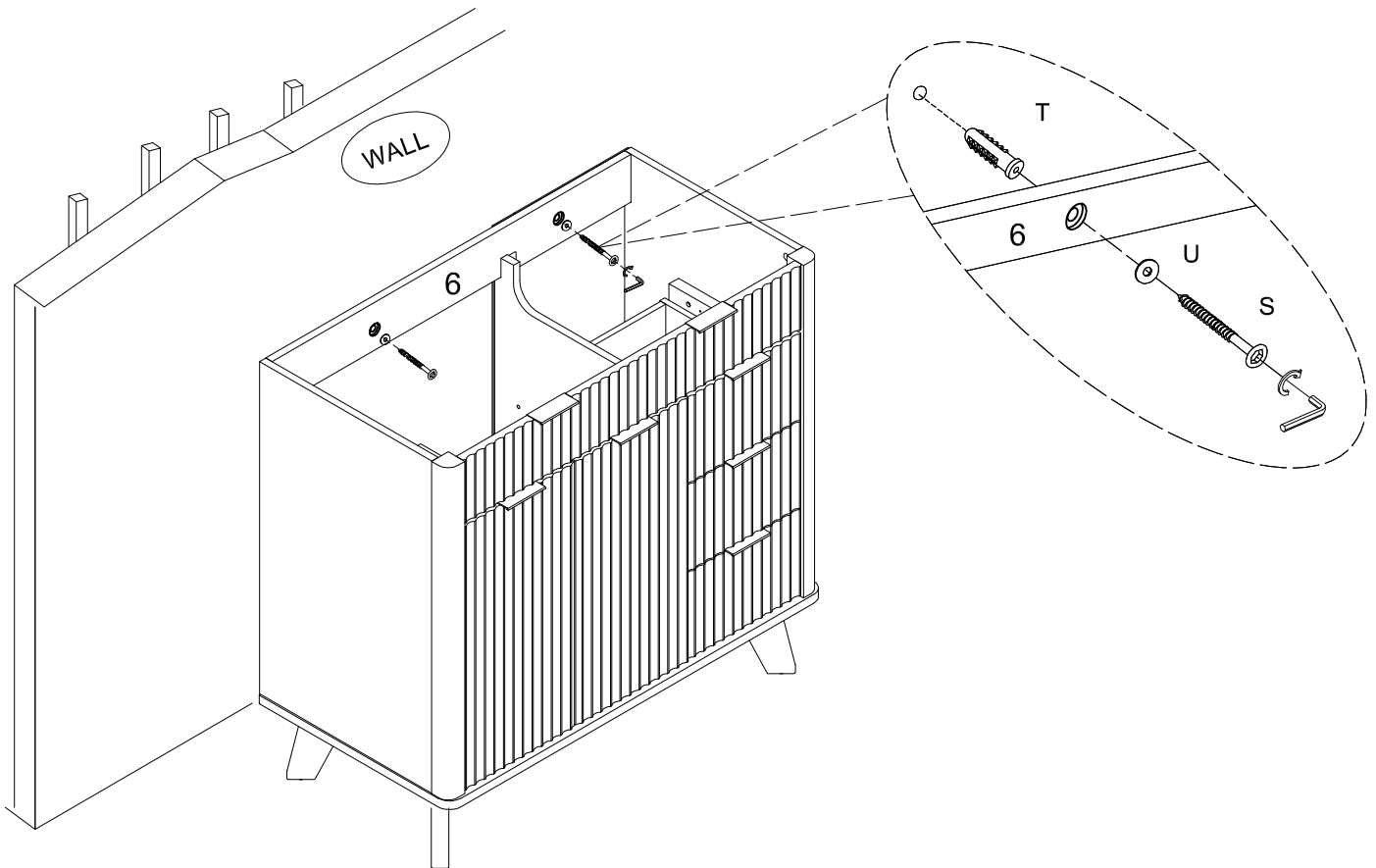
Step 34



Step 35



Serious or fatal injuries can occur from furniture tipping over. To prevent the furniture from tipping over we recommend that it is permanently fixed to the wall. Wall anchor and hardware are included with this product. Please make sure hardware is suitable for your walls before installing, as different wall materials may require different types of anchors.

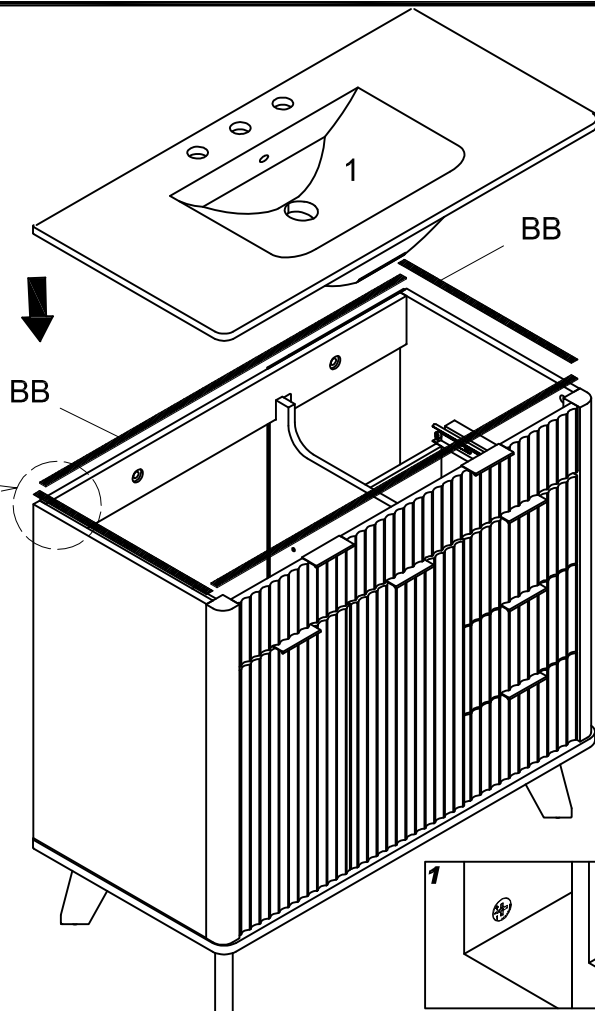
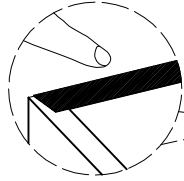
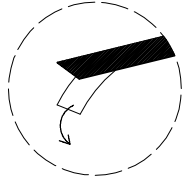


Step 36

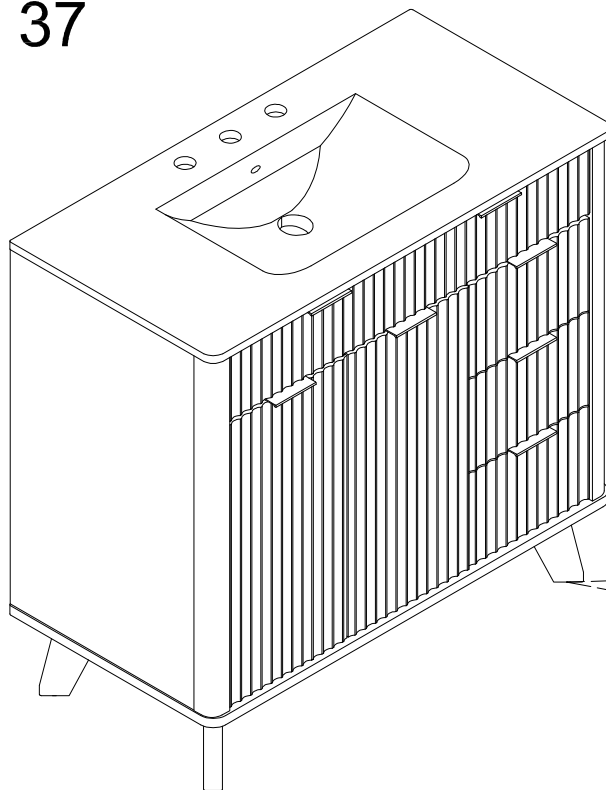
Note: The EVA strip (BB) would be divided into 4 small strip by Scissor per necessary

Remove the tape

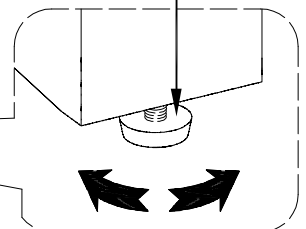
Press



Step 37



Floor leveler



If necessary adjust the floor leveler at the bottom of the Legs to improve the gap around the Drawer/Door.

Final Assembly