



Tips!

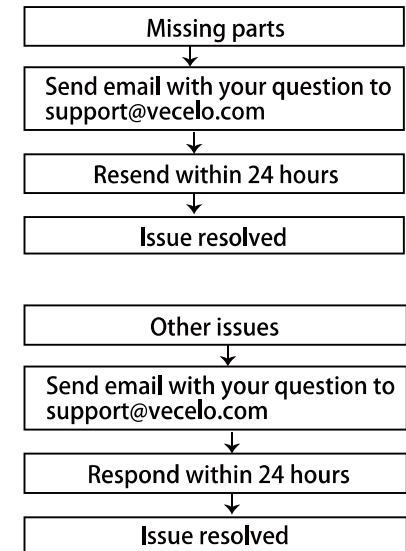
Check all the components & screws before assembly. **Do not install in case part is missing, contact us to get.** Send email with your question to support@vecelo.com. We will resend within 24 hours.

Return Policy

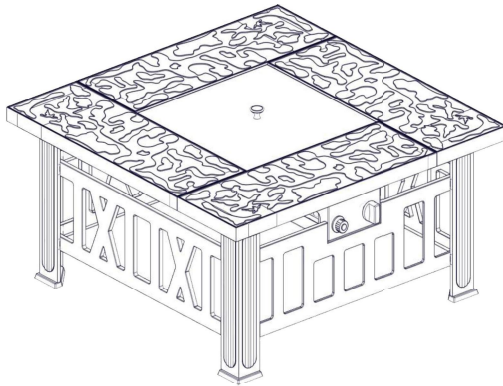
We believe you will absolutely love your new item. But if for some reason you want to return, please contact us directly before you decide to return your product. Our customer service organization can answer most concerns and assist you with any questions you may have about your new item, please email us first at: support@vecelo.com.

The item must be returned within 30 days of delivery for a full refund. The item must be returned in good condition, in original box, with all original proof of purchase, parts and accessories.

Trouble shooting:



We control manufacturing and distribution ourselves, ensure the quality



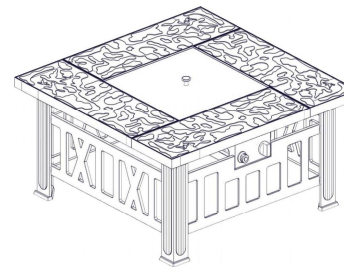
Gas Fire Table

Dimension: 76*76*36cm

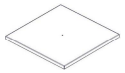
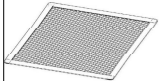






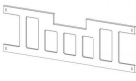







How to find us?

Email: support@vecelo.com

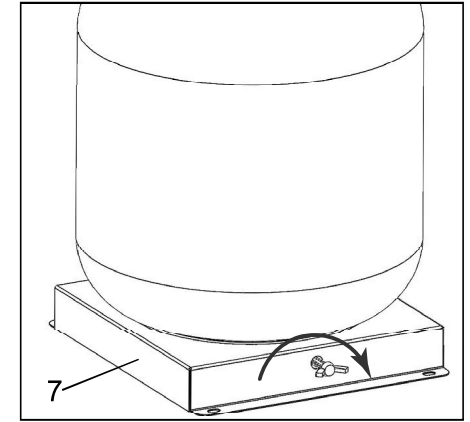
Website: www.vecelo.com



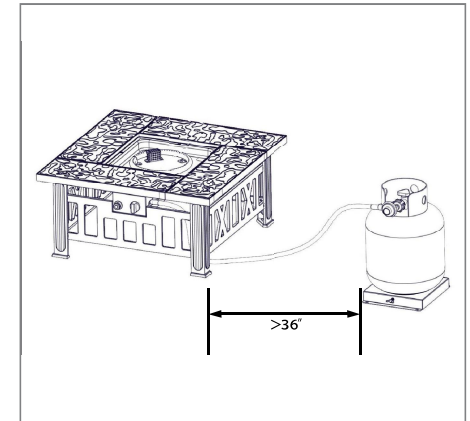
Item Description: Gas Fire Table
 Dimension: 76*76*36cm
 Model NO: JS-NO.1

Part List	Description	Qty.	Drawings	Part List	Description	Qty.	Drawings
1	Table Top	1		9	Protective net	1	
2	Table Top Frame	4		10	battery	2	
3	Burning	1		A	Bolt M6*8	36	
4	Side panel	3		B	Nut M6	4	
5	Front Bezel	1		C	Lid Ring with bolt	1	
6	Support panel	4		D	Ground nail	2	
7	Fixed base of gas cylinder	1		E	Butterfly Bolts	1	
8	Stones *3kg	1		F	Allen Wrench	1	

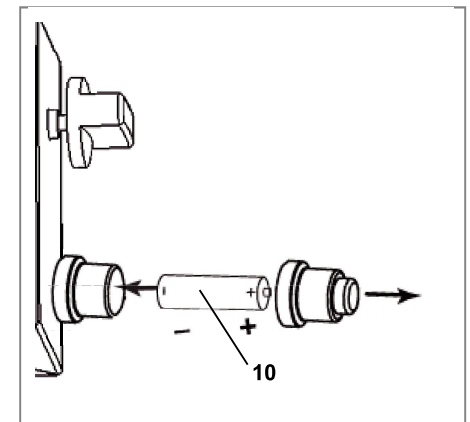
4. Once the tank is attached to the regulator, make sure the propane gas tank sits on the metal stand inside body (7) completely. Turn the preassembled wing screw on the outer part of metal stand clockwise to secure the propane gas tank tightly.



5. The connection distance between the hose and the cylinder shall not be less than 36 inches.

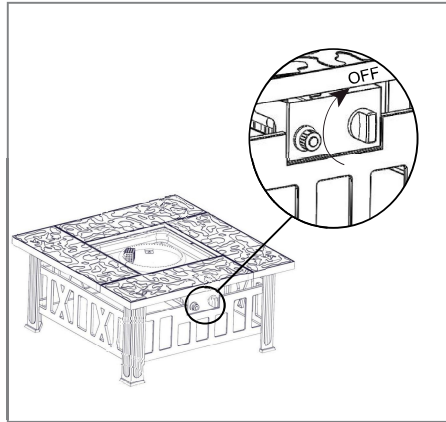


6. Remove the rubber cap on the electronic igniter by unscrewing and slide battery (10) into the battery slot. Make sure the positive side of the battery faces outwards. Screw the electronic igniter cap over the battery tightly.

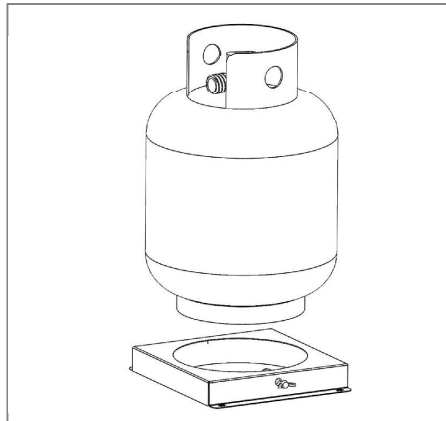


ASSEMBLY INSTRUCTIONS

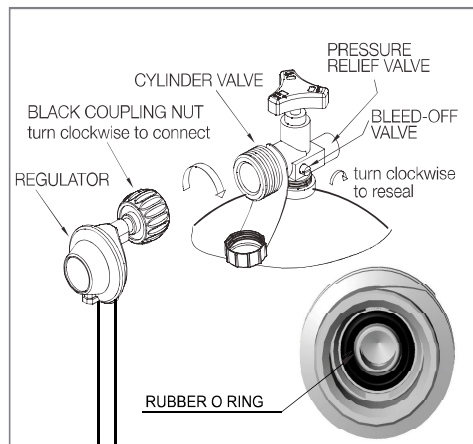
1. Check that the control knob for the gas supply system is turned to the 'OFF' position before starting any assembly.



2. Place propane gas tank into the metal stand inside of the body.



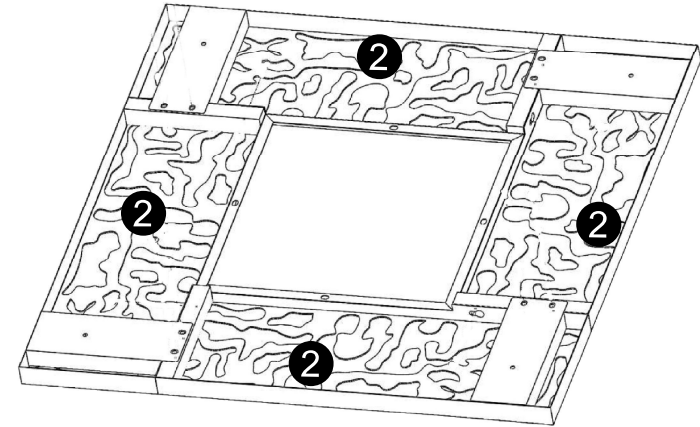
3. Turn the cylinder valve on the tank clockwise to close the propane tank. Attach the preassembled regulator from the body to the cylinder valve by turning the regulator coupling nut clockwise. Make sure it is fastened securely and tighten connections by hand only.



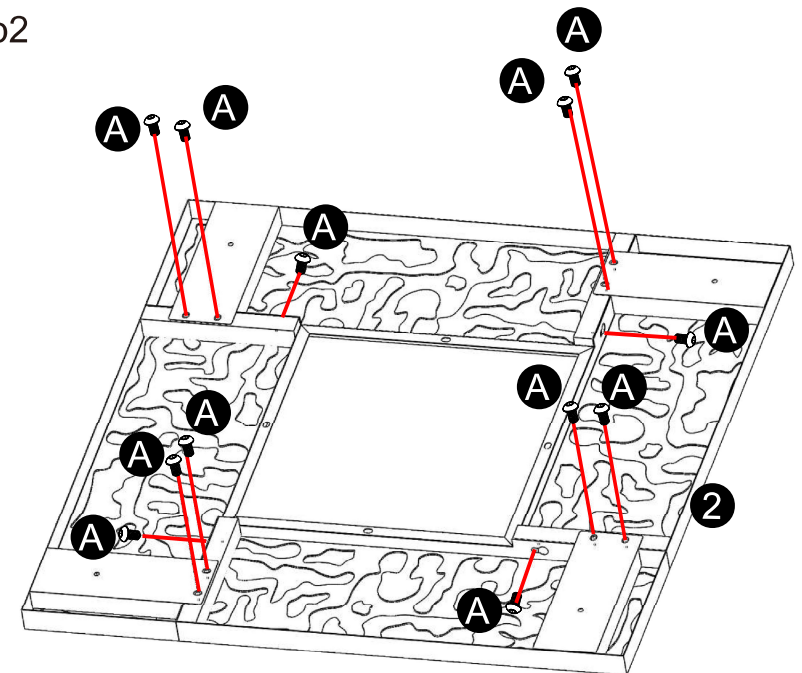
⚠ WARNING

Please inspect the rubber O ring in the propane tank valve to ensure it is not worn before attaching regulator. Worn rubber O ring can cause leaks, explosions and serious injury by propane tank.

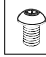
Step1

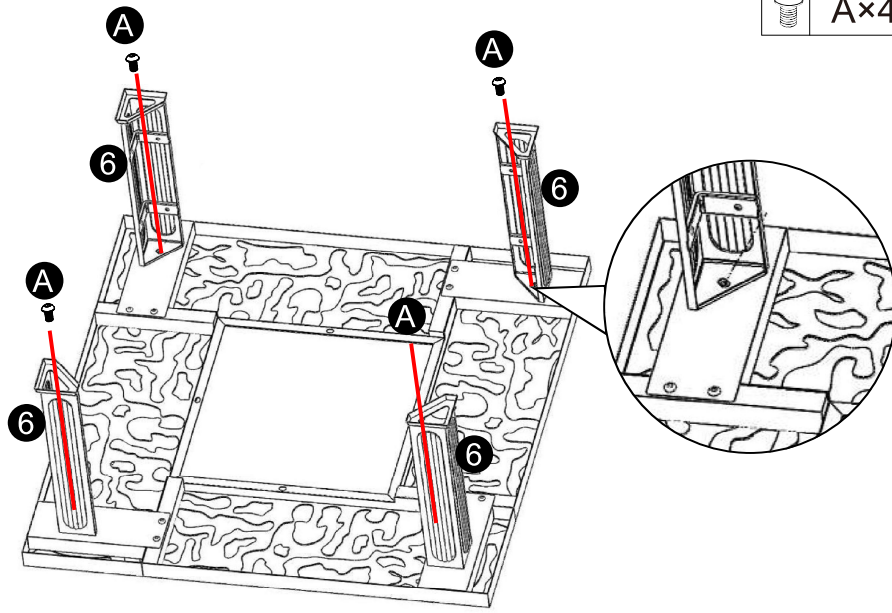


Step2



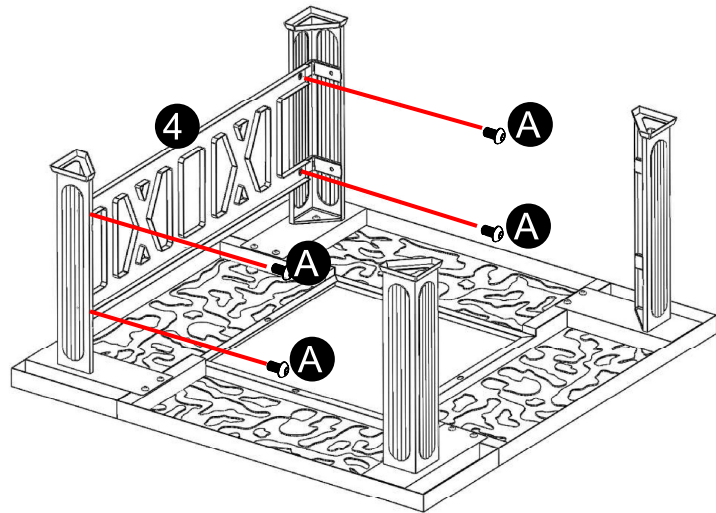
Step3

 A×4



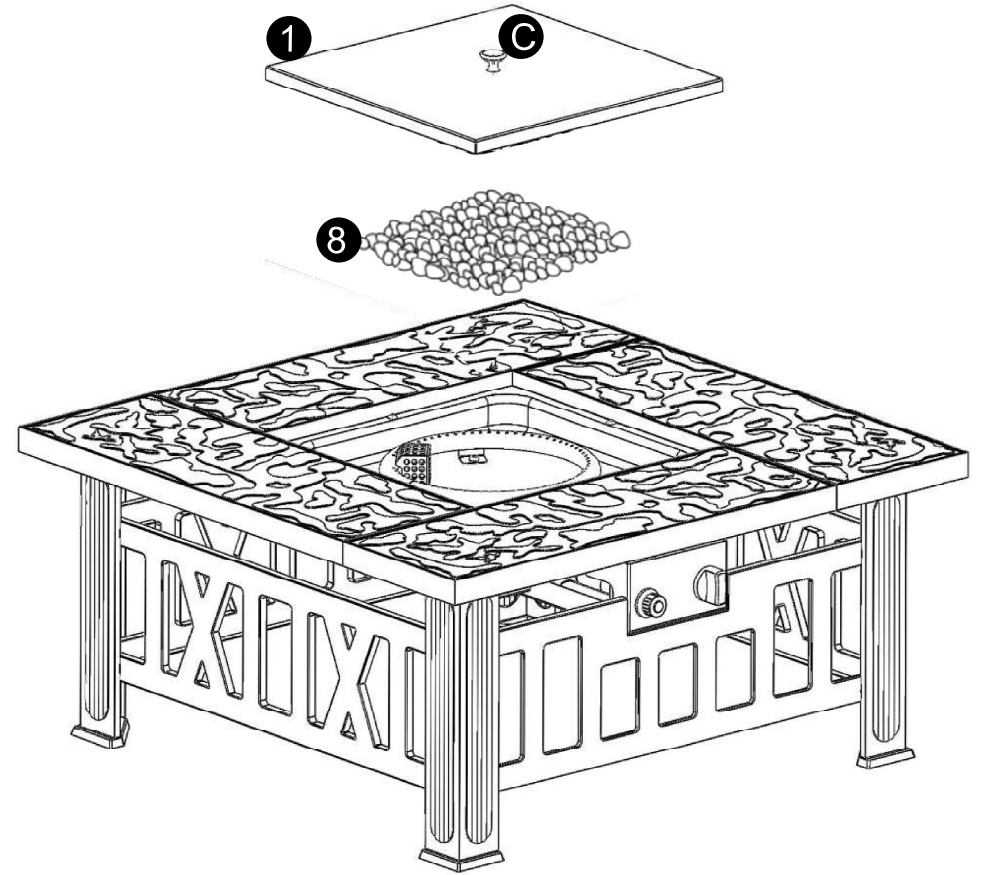
Step4

 A×4





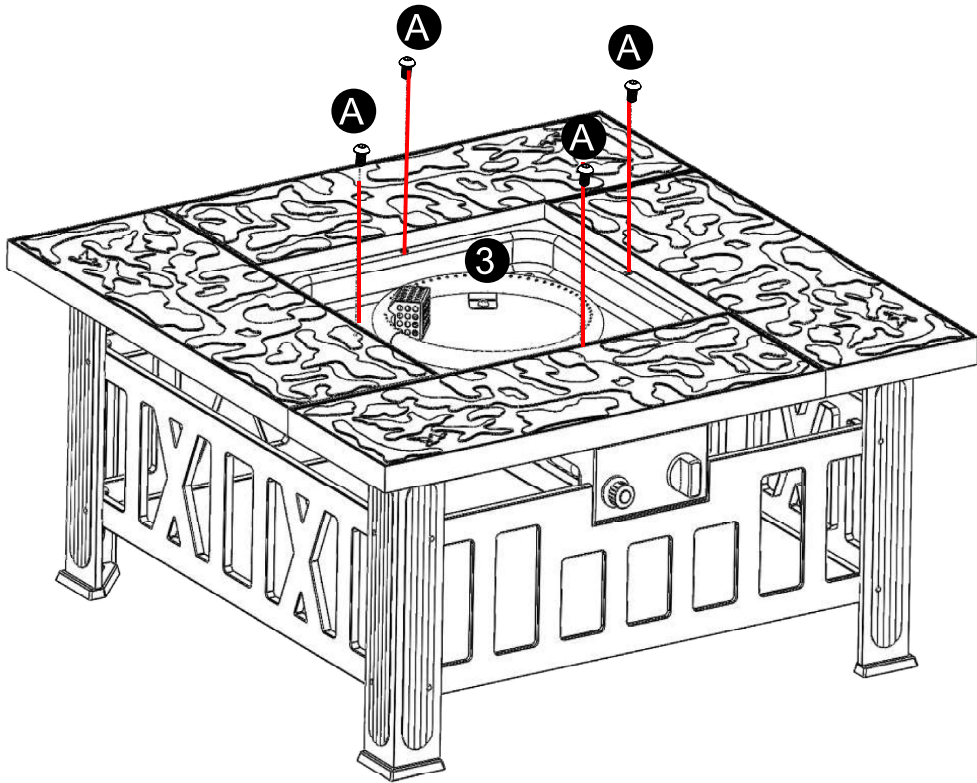
Step9

 I×1



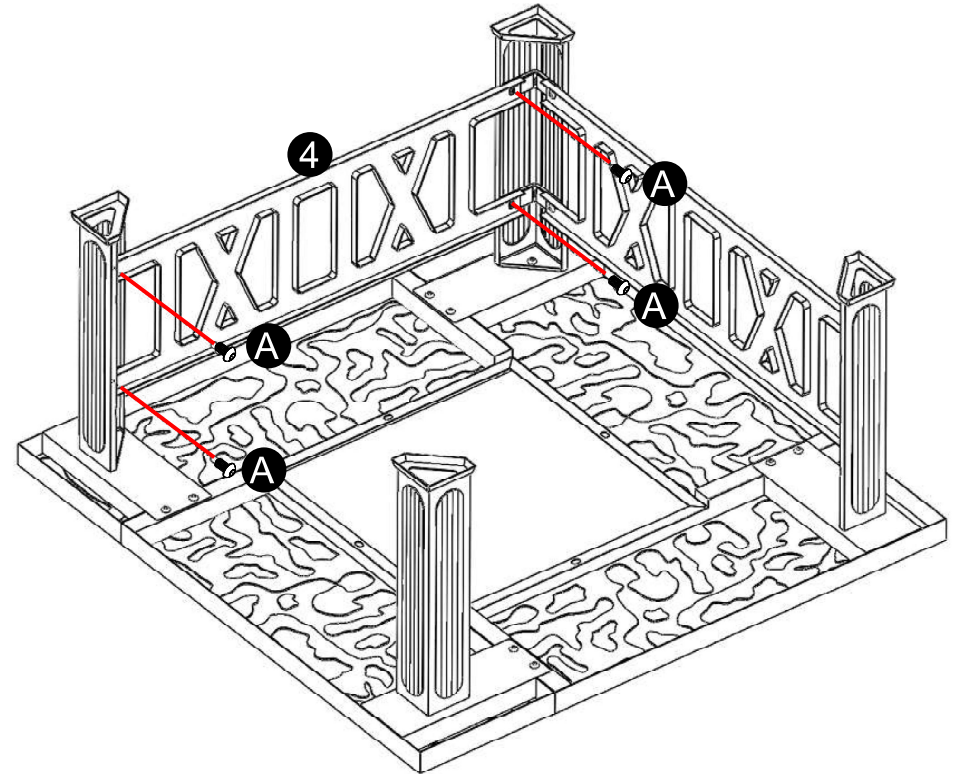
Step8

	A×4
	B×4



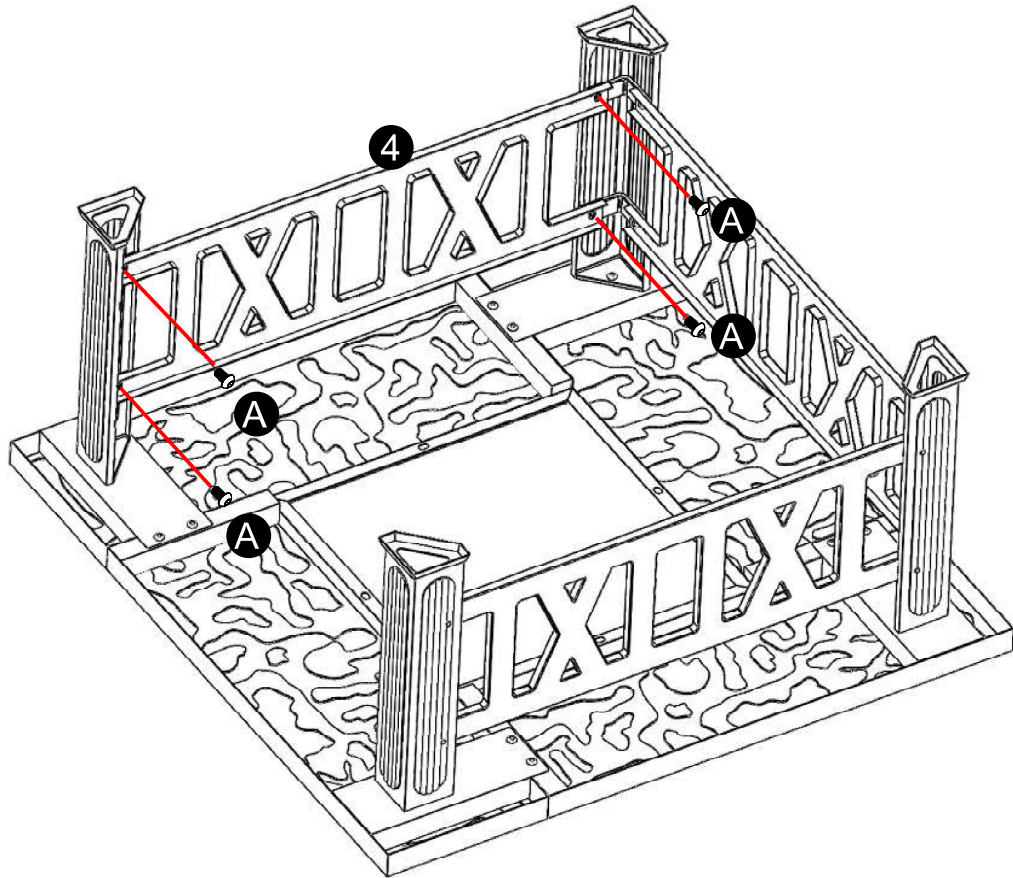
Step5

	A×4
--	-----



Step6

 A×4



Step7

 A×4

