

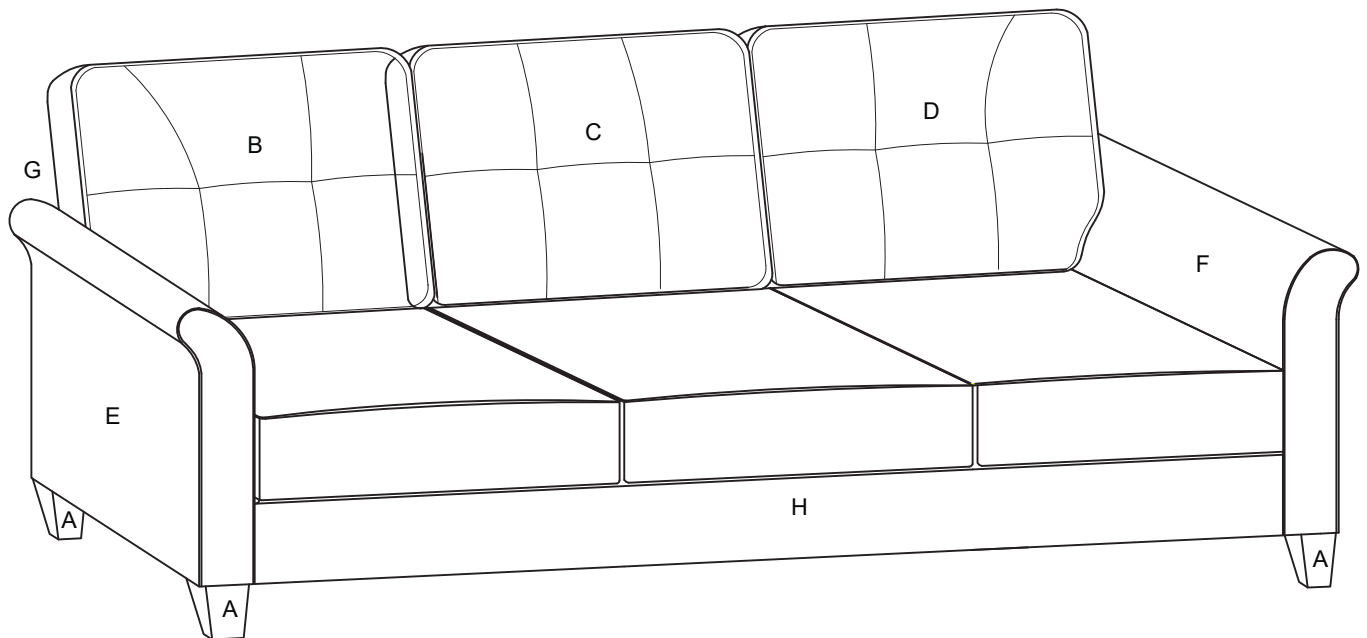
ASSEMBLY INSTRUCTIONS

IMPORTANT NOTE:

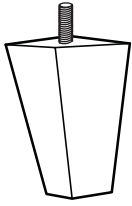
** PLACE ALL PARTS ON A CLEAN AND SMOOTH SURFACE SUCH AS A RUG OR CARPET TO AVOID THE PARTS FROM BEING SCRATCHED.

** BEFORE YOU BEGIN, KINDLY FOLLOW THE ASSEMBLY INSTRUCTIONS STEP BY STEP

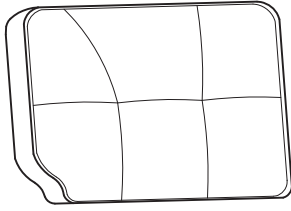
** DO NOT SIT UNTIL THE SOFA FULLY SET-UP.



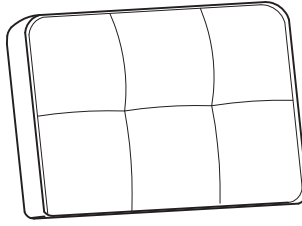
PARTS AND HARDWARE



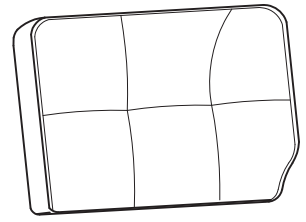
A: Leg 8PCS



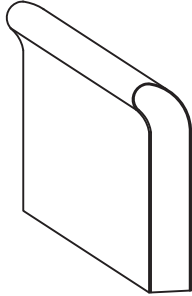
B: Left Back Cushion 1PC



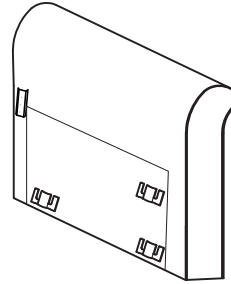
C: Center Back Cushion 1PC



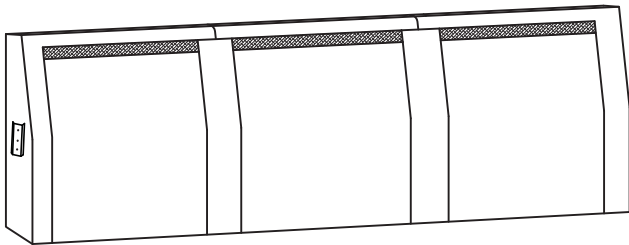
D: Right Back Cushion 1PC



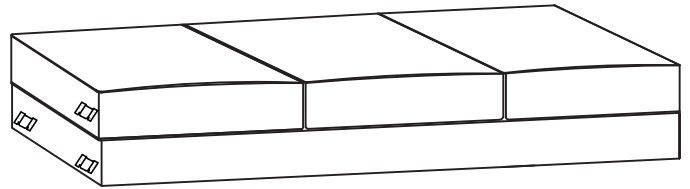
E: Left Arm 1PC



F: Right Arm 1PC

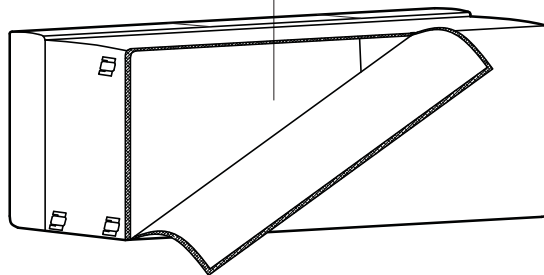


G: Sofa Backrest 1PC



H: Sofa Body 1PC

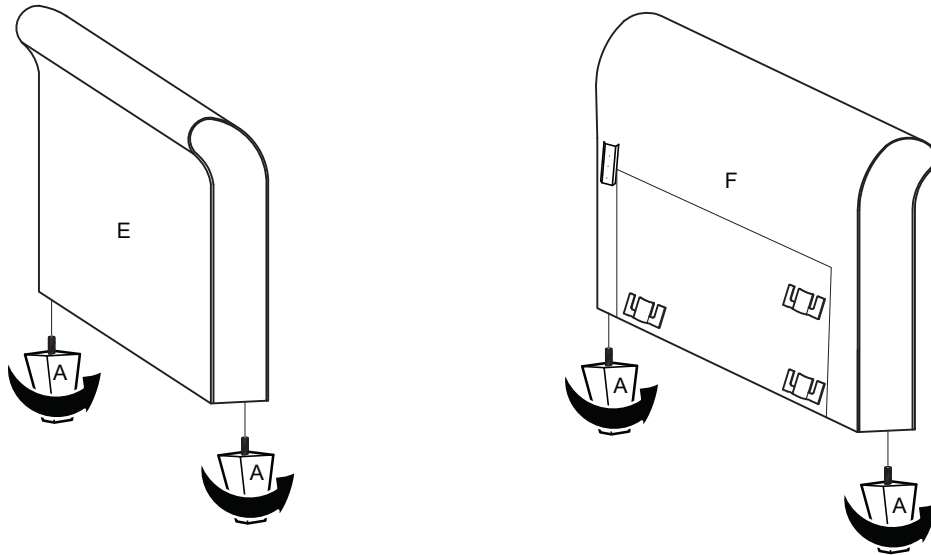
Ax4,Bx1,Cx1,Dx1,Ex1,Fx1
Packed in sofa storage



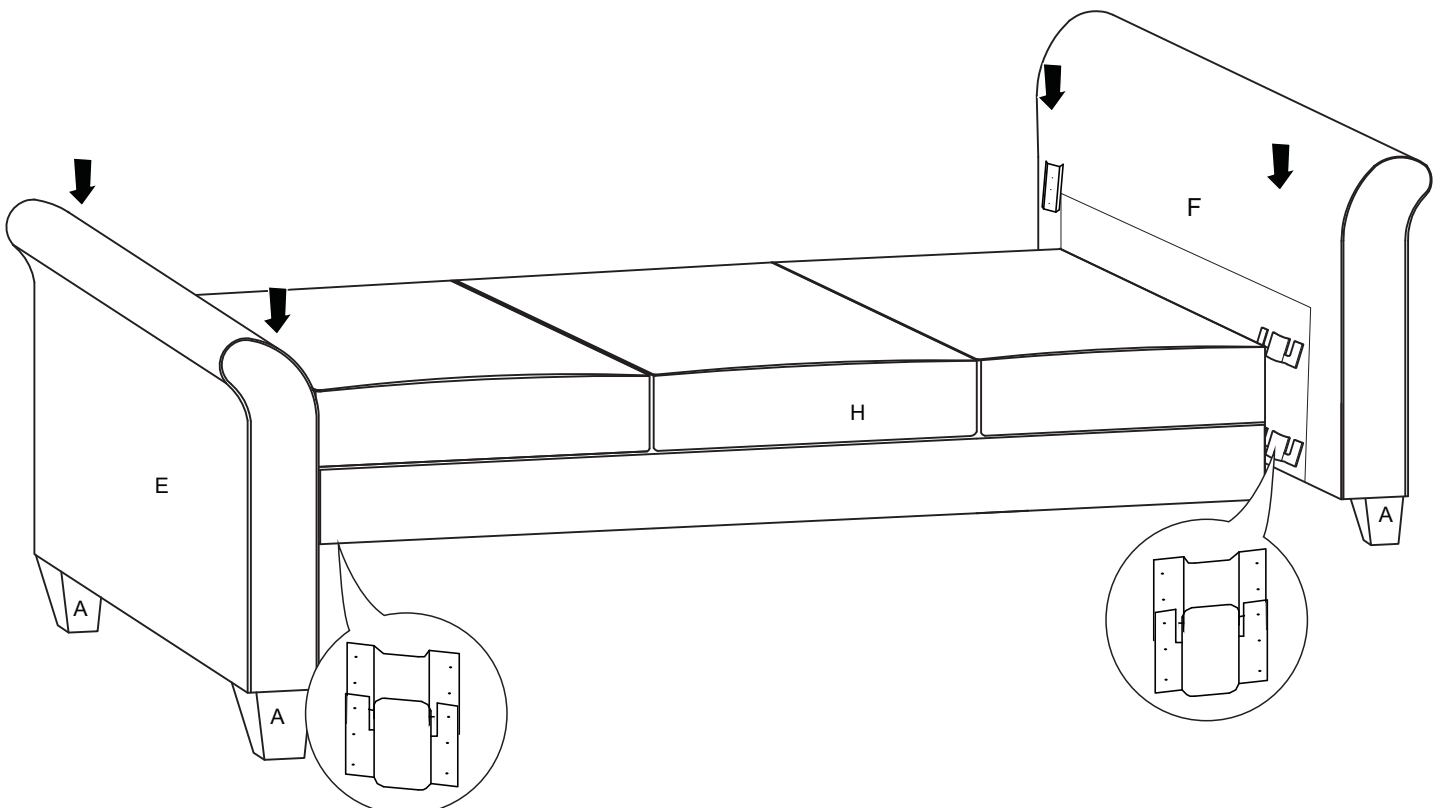
CAREFULLY UNPACK AND PLACE CHAISE BODY(G) UNIT AND LOVESEAT BODY (G) ON A CLEAN FLAT SURFACE TO SHOW THE BASE AS SHOWN. UNPACK PARTS FROM THE STORAGE COMPARTMENT.

ASSEMBLY INSTRUCTIONS

STEP 1: Assemble legs to the left arm (E) and right arm (F).

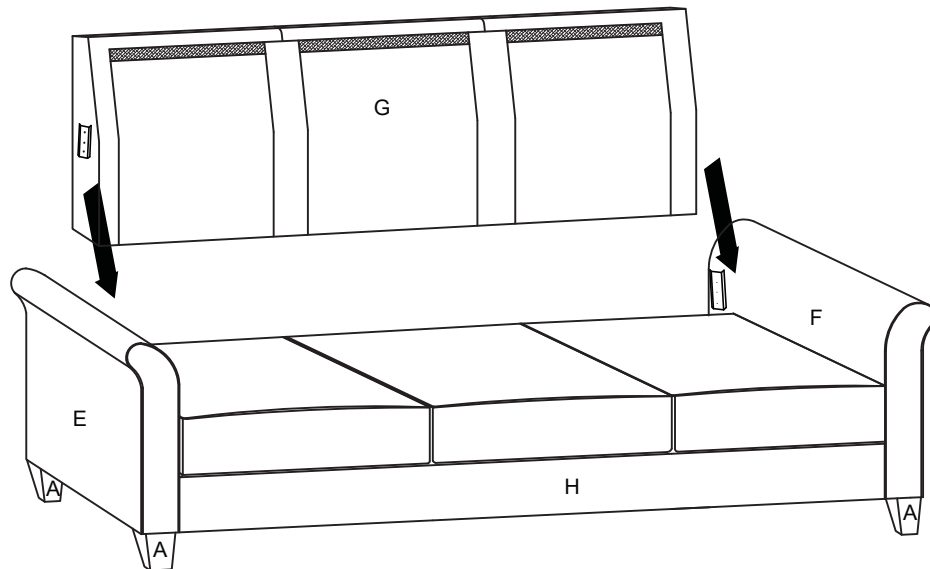


STEP 2: Assemble the sofa body (H) to the both arms (E,F) by matching the metal brackets.



ASSEMBLY INSTRUCTIONS

STEP 3: Assemble loveseat backrest (G) to the both arms (E,F) by matching matching the metal brackets.



STEP 4: Assemble the back cushions(B,C,D) to the backrest by matching velcro.

