

Sweep Collection

Two-Handle Roman Tub Faucet



Installation/Installation/Instalación

CUSTOMER SERVICE

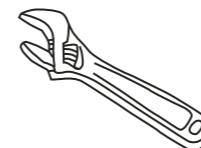
TOLL-FREE 1-888-OK-ULTRA (658-5872)

UF65100 - Polished Chrome

UF65103 - PVD Brushed Nickel



Tools You Will Need / Outils dont vous aurez besoin / Herramientas necesarias



Adjustable Wrench

Clé à molette

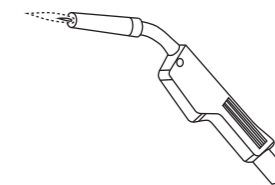
Llave ajustable



Groove joint pliers

Pince multiprise

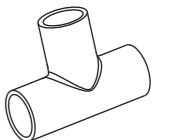
Pinzas ajustables



Welding Torch

Chalumeau (soudeur)

Pistola



Tee

"T"

Raccord en T

SAFETY TIPS

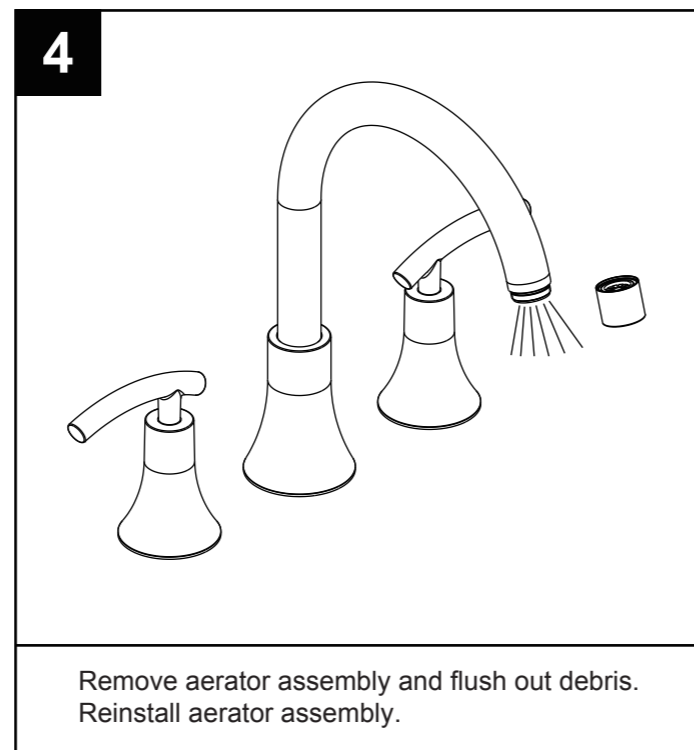
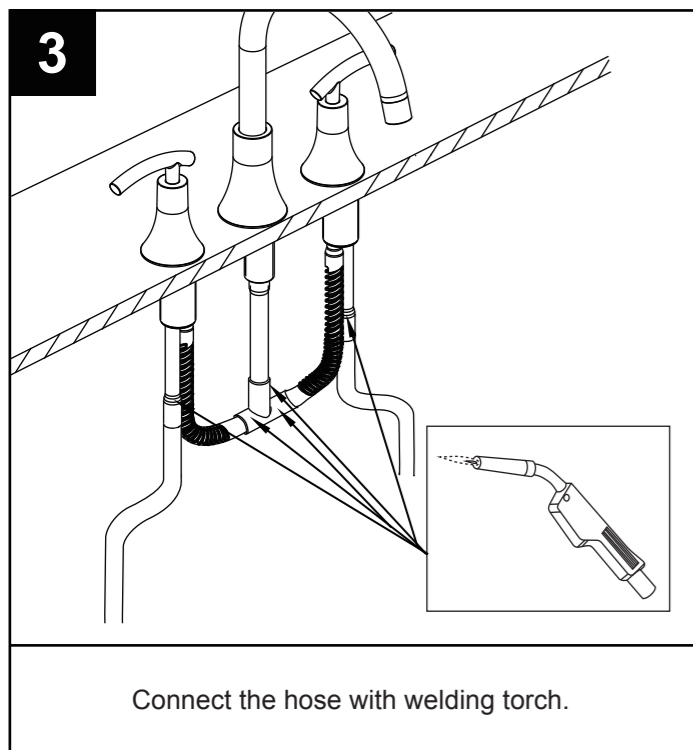
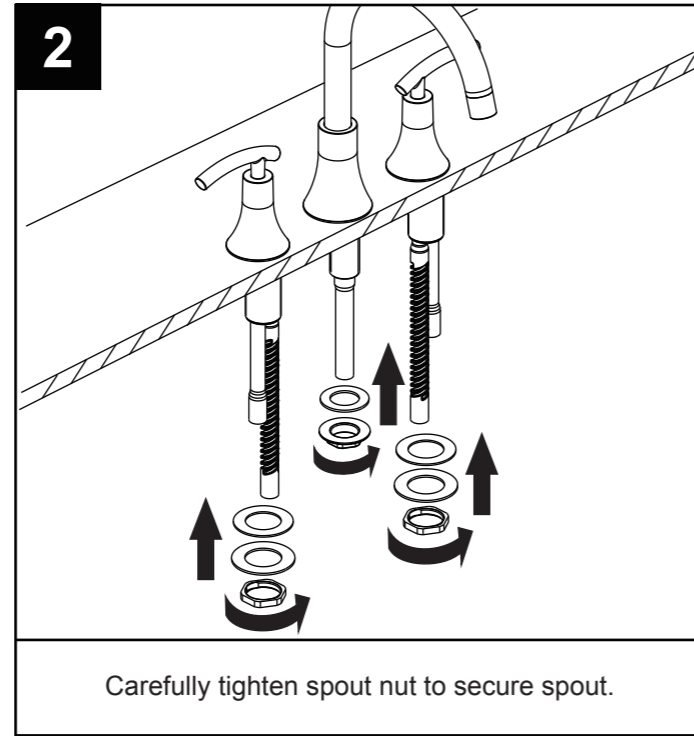
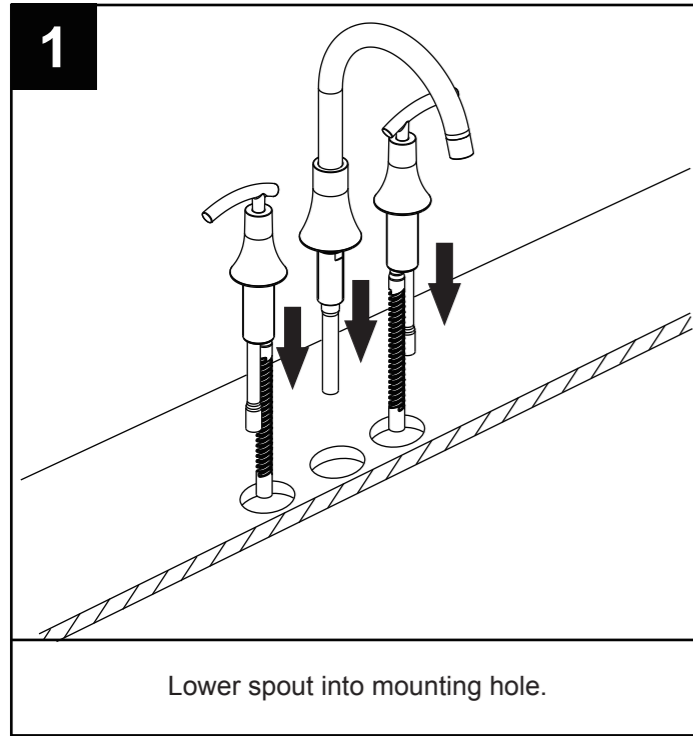
- If you use soldering for the installation of the faucet, the seats, cartridges and washers will have to be removed before using flame. Otherwise, warranty will be void on those parts.
- Cover your drain to avoid losing parts.
- 0°C~55°C.

CONSIGNES DE SÉCURITÉ

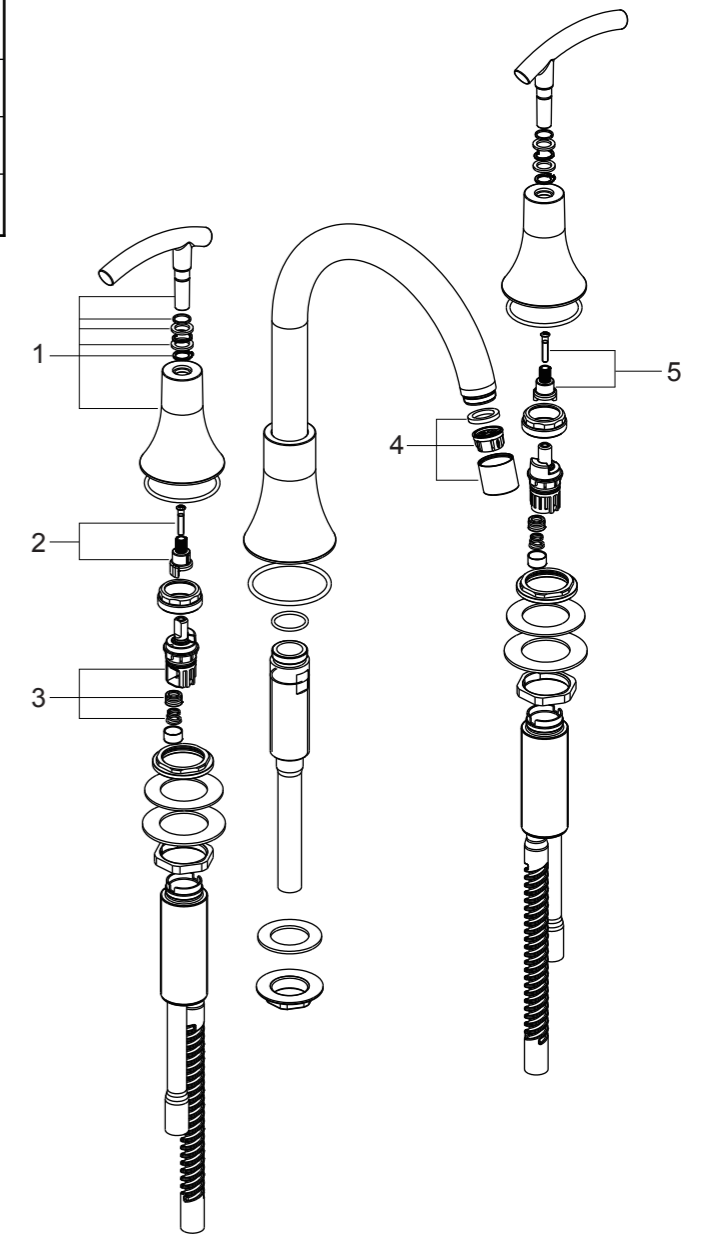
- Si vous posez le robinet par brasage, il est essentiel de retirer les sièges, les cartouches et les rondelles avant d'appliquer la flamme, faute de quoi la garantie sur ces pièces sera annulée.
- Couvrez le drain pour ne pas perdre des pièces.
- 0°C~55°C.

CONSEJOS DE SEGURIDAD

- En el caso de utilizar soldadura para instalar el grifo, remueva los asientos, cartuchos y arandelas antes de usar la llama. De lo contrario, se anulará la garantía para esos componentes.
- Tape la boca del desagüe para prevenir la pérdida de piezas pequeñas.
- 0°C~55°C.



NO.	Description	Part No.
1	Handle Assembly	5Y0175900CP/AP/HA0
2	Handle Adaptor-Hot	9Q0466NT
3	Cartridge Assembly	9V0001NT
4	Aerator Assembly	5Y0200300CP/AP/HA0
5	Handle Adaptor-Cold	9Q0469NT



Limited Lifetime Warranty

Ultra Faucets warrants to the original purchaser that its products will be free from defects in workmanship and materials. All Ultra Faucets are provided with a life time limited warranty. This warranty does not cover any other labor or service charges associated with the removal, repair, or reinstallation of Ultra Faucets products. This express warranty does not apply to products that have been damaged as a result of misuse, abuse, negligence, accident, faulty installation or maintenance practices and/or used in any manner contrary to those recommended by the manufacturer.

Need help? Please call our toll-free customer service line at 1-888-658-5872 for additional assistance or service.
Besoin d'aide? Veuillez communiquer avec notre service à la clientèle au numéro gratuit 1-888-658-5872 pour tous renseignements ou services complémentaires.
¿Requiere asistencia? Llame a nuestro Servicio al Cliente, sin costo, al 1-888-658-5872 para asistencia adicional o servicio.