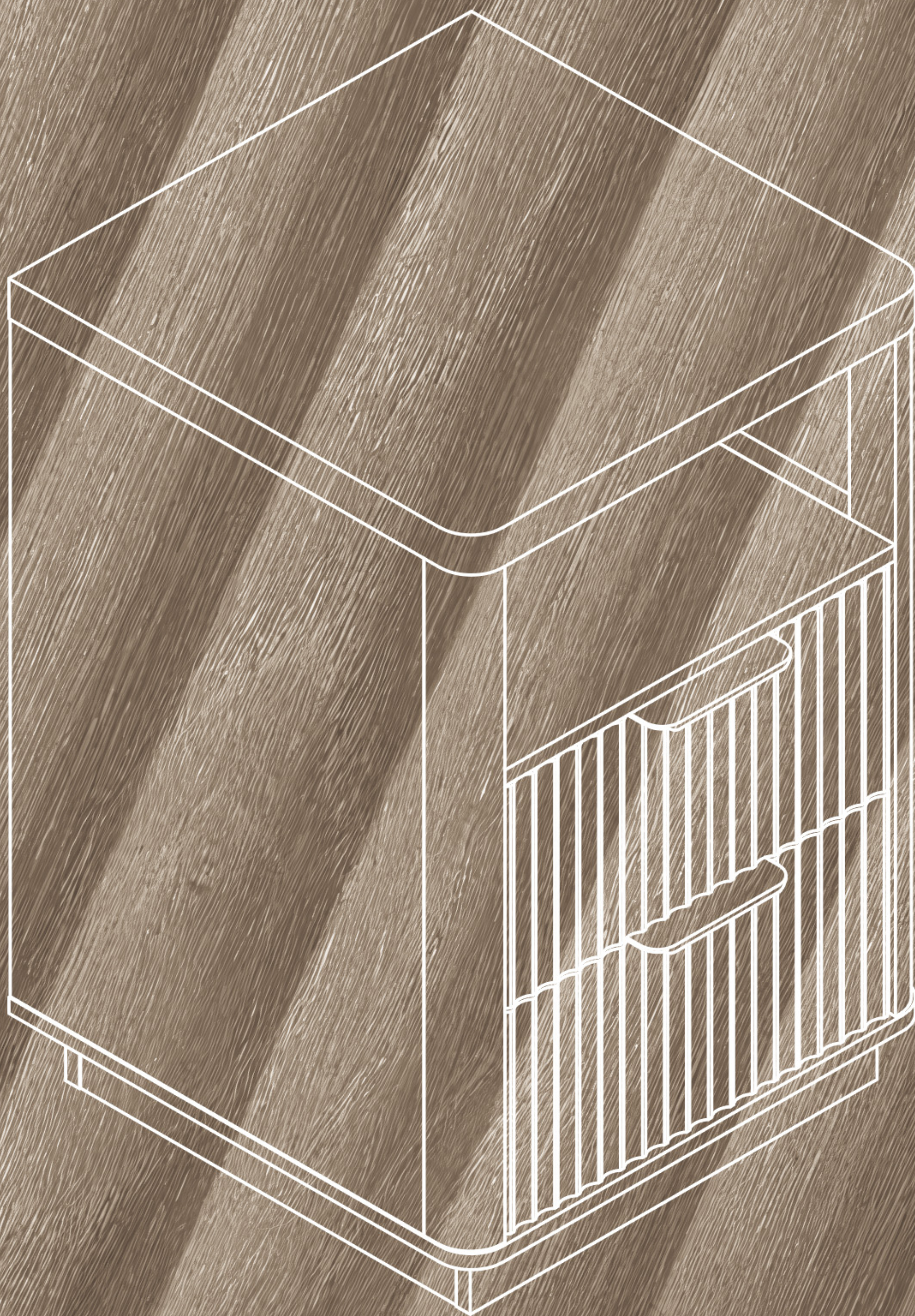


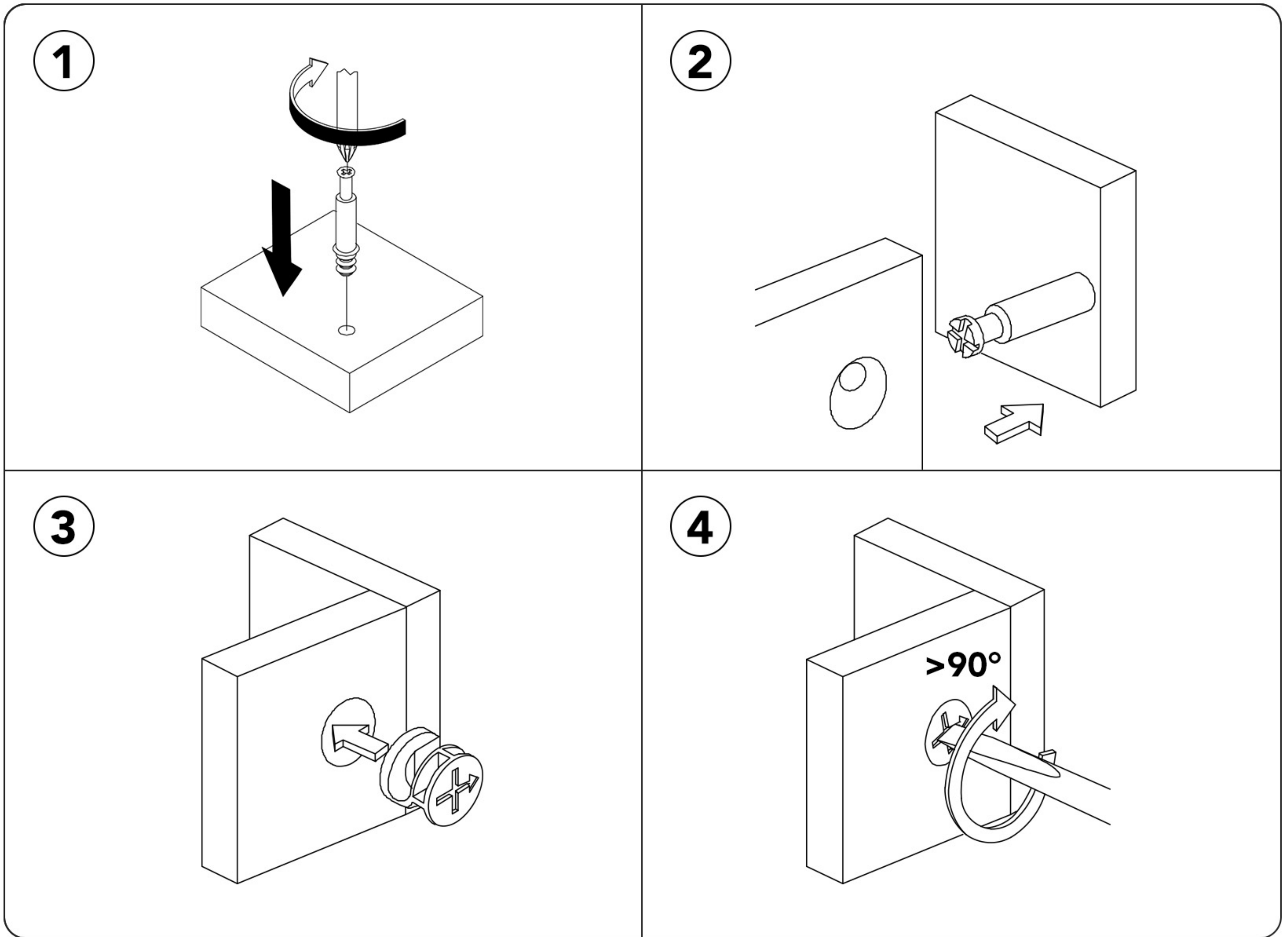
Nightstand

Assembly Instructions



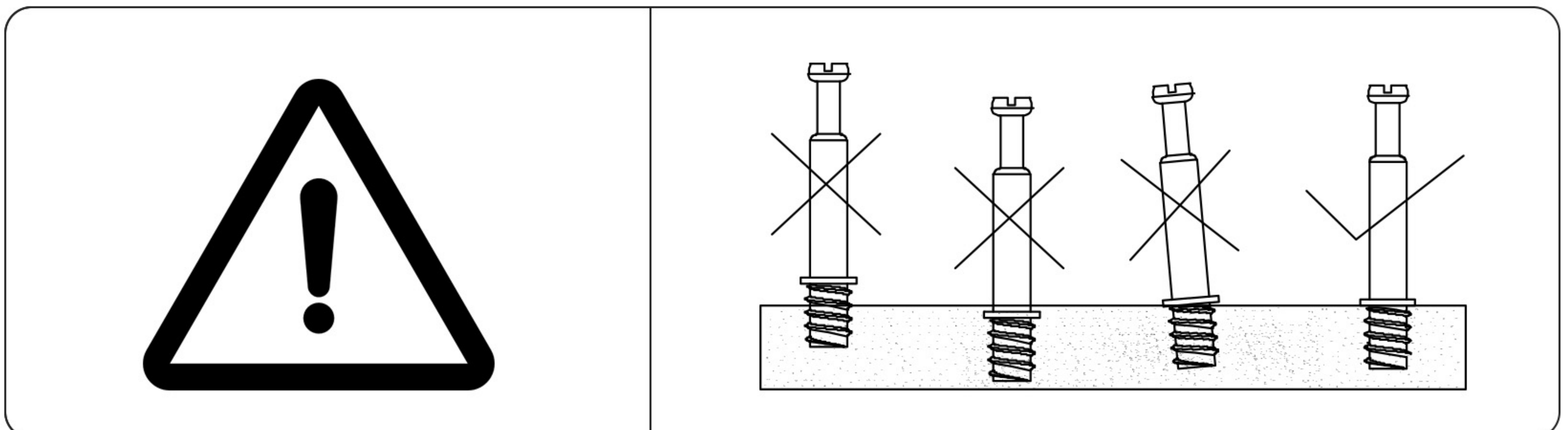
— HMNS-001 —

Heads Up: Common Installation Mistakes

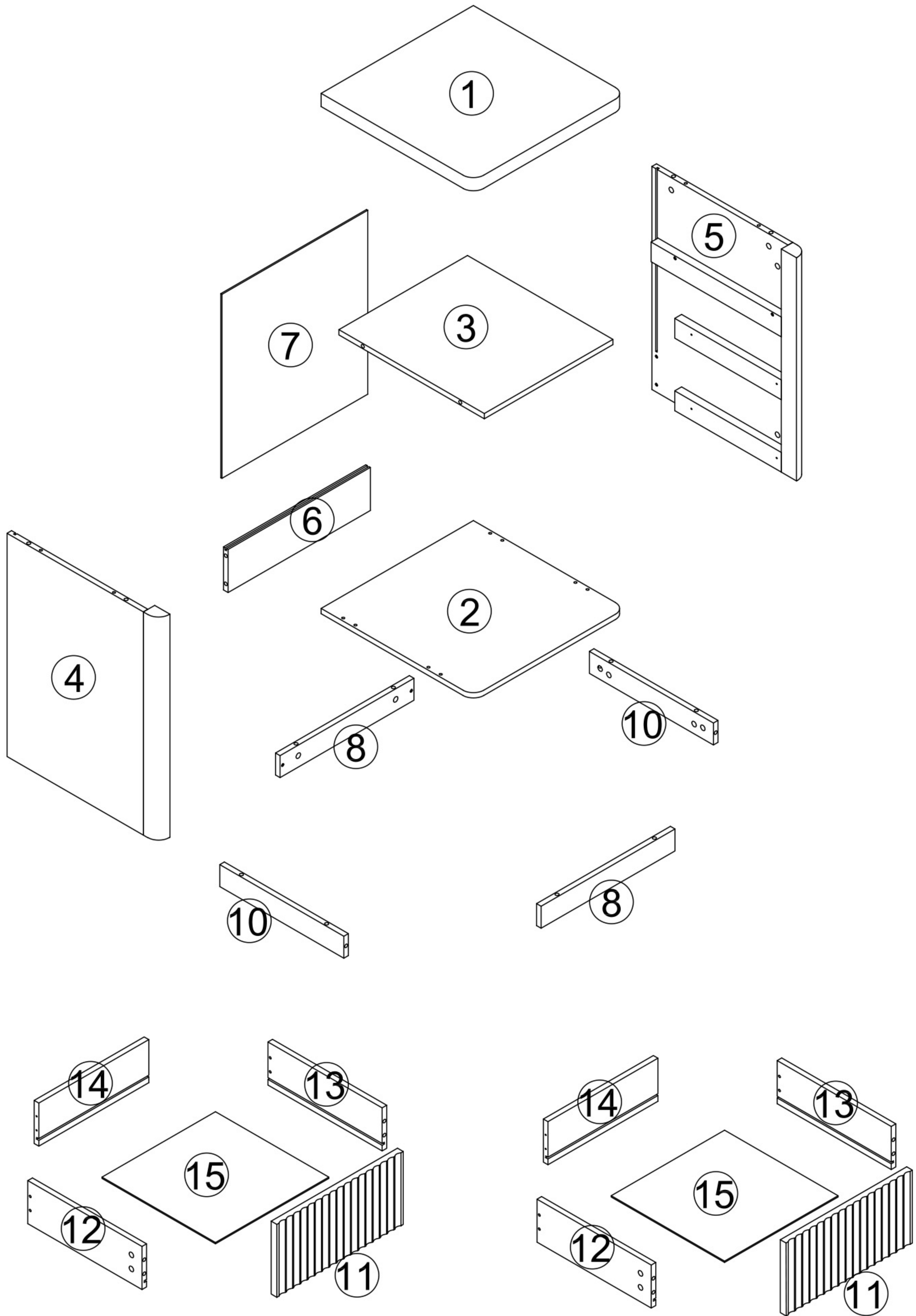


The screw must be installed perfectly straight and to the correct depth. Improper installation, such as being too deep, too shallow, or crooked, must be avoided.

WARNING: Improper installation will compromise the assembly's integrity.

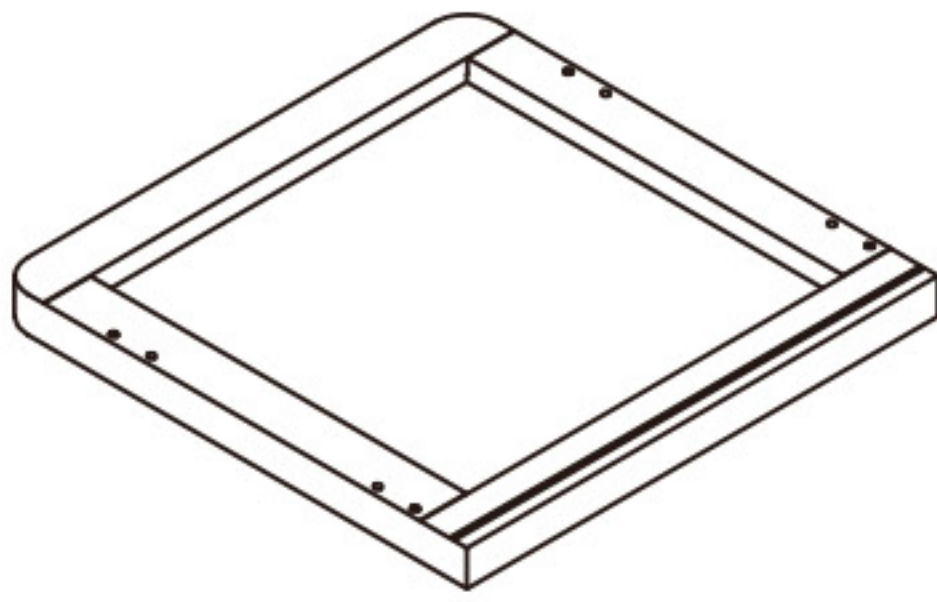


PARTS LIST



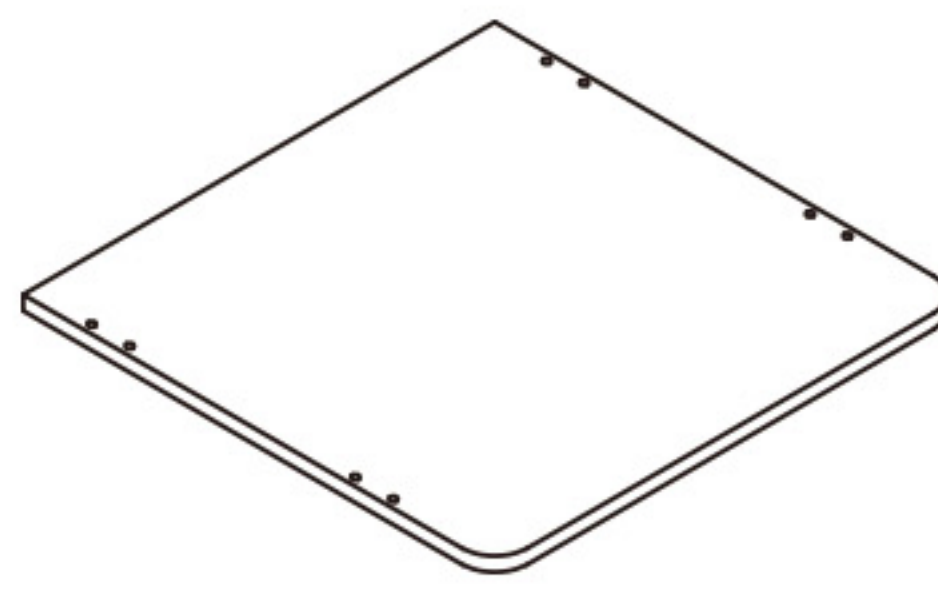
PARTS LIST

①



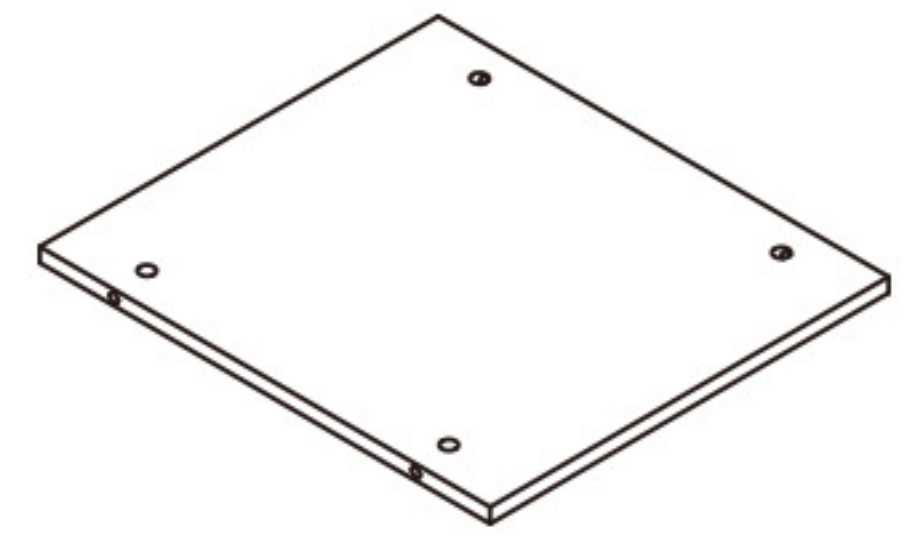
x1

②



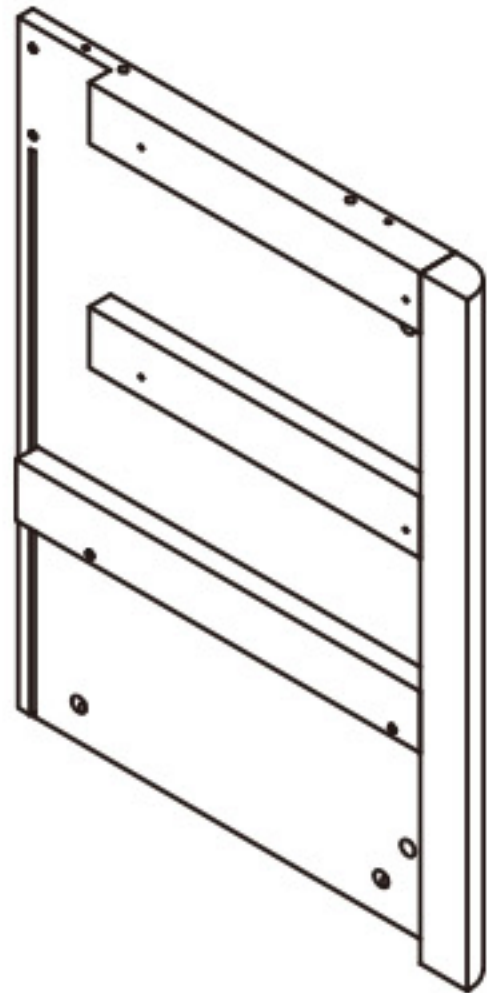
x2

③



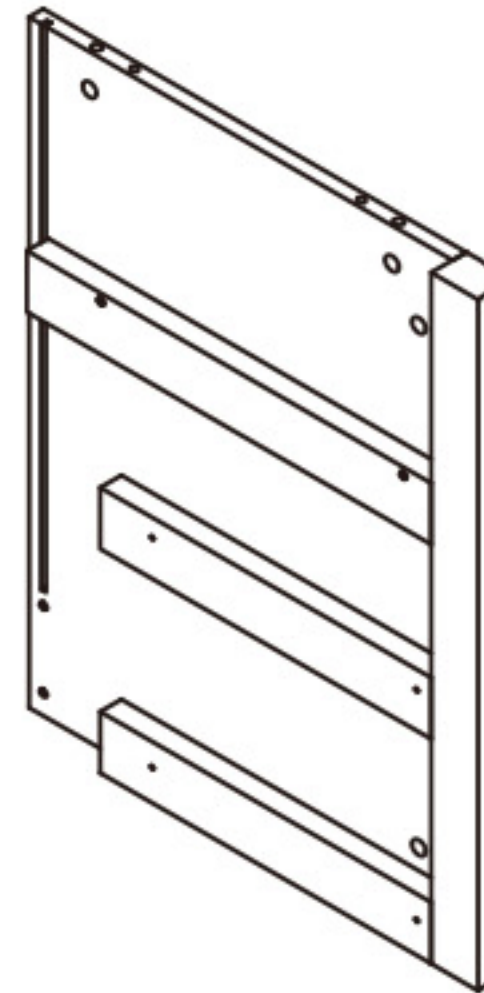
x1

④



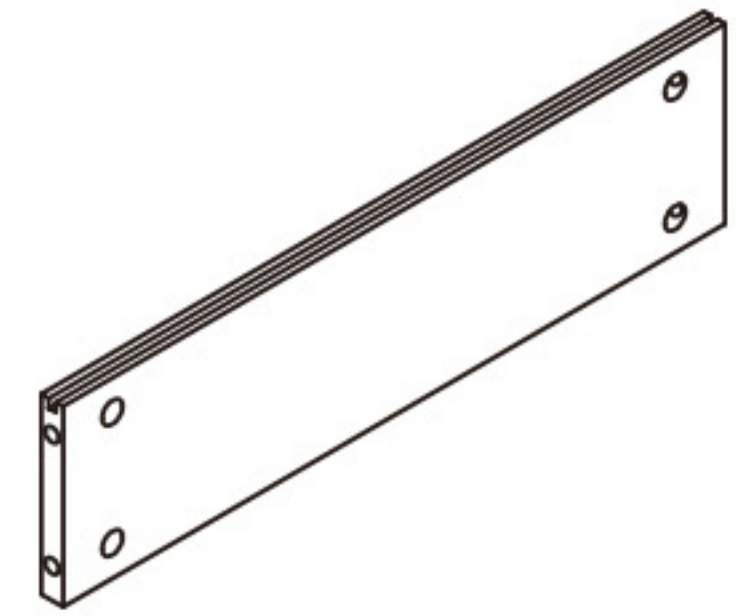
x1

⑤



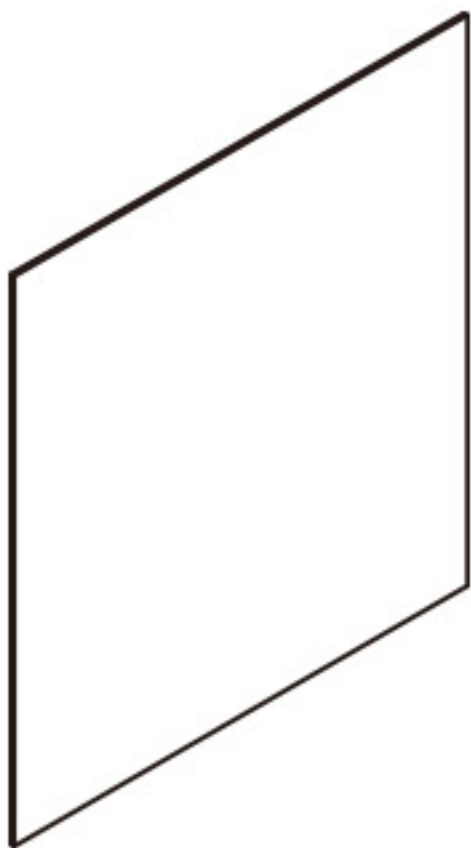
x1

⑥



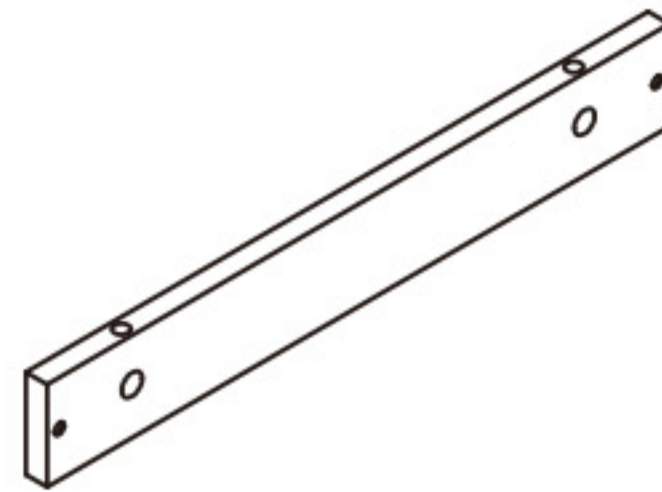
x1

⑦



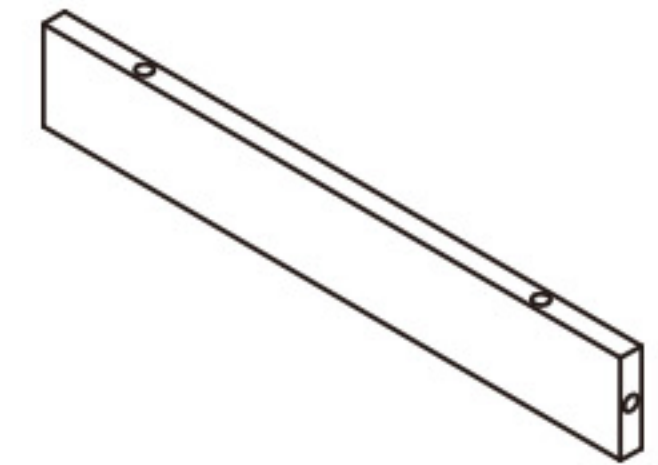
x1

⑧



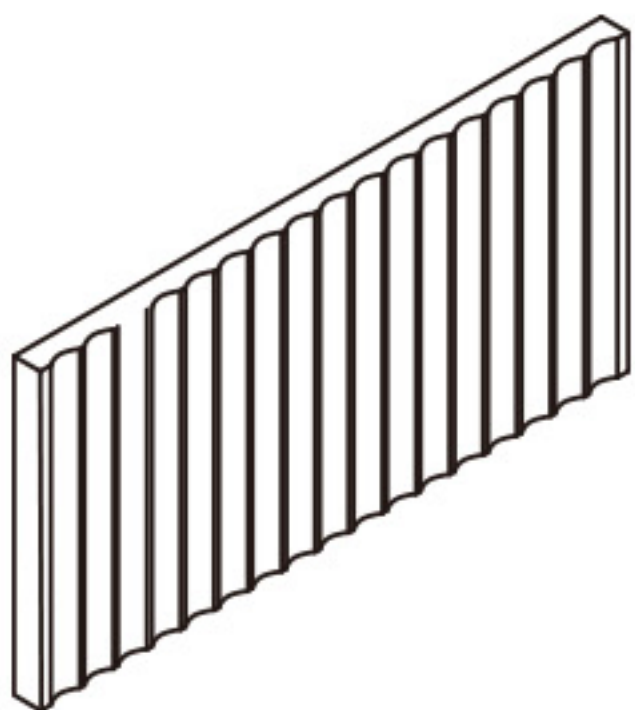
x2

⑩



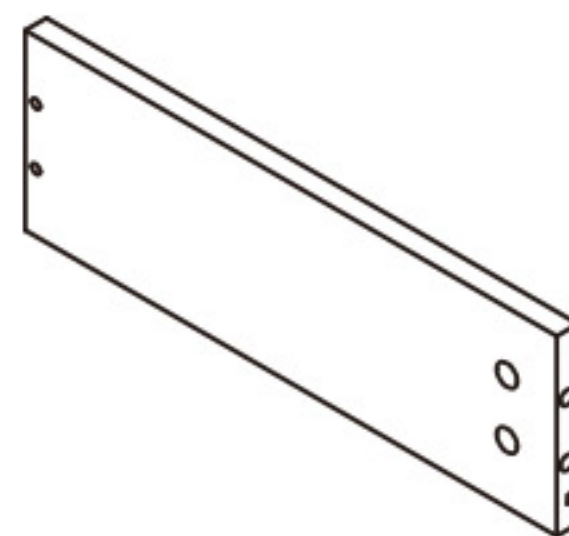
x2

⑪



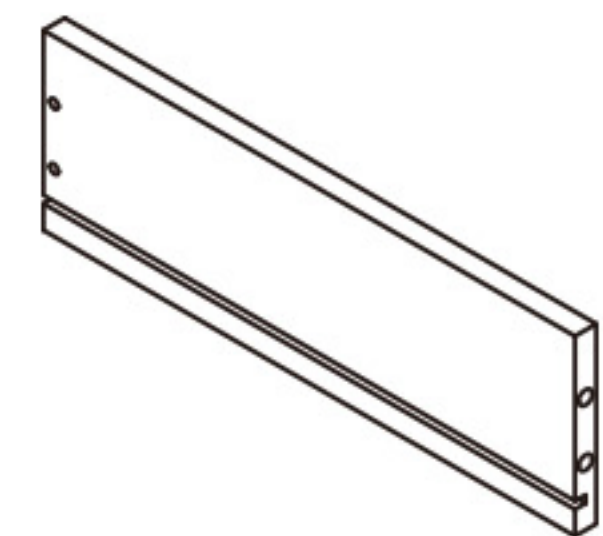
x2

⑫



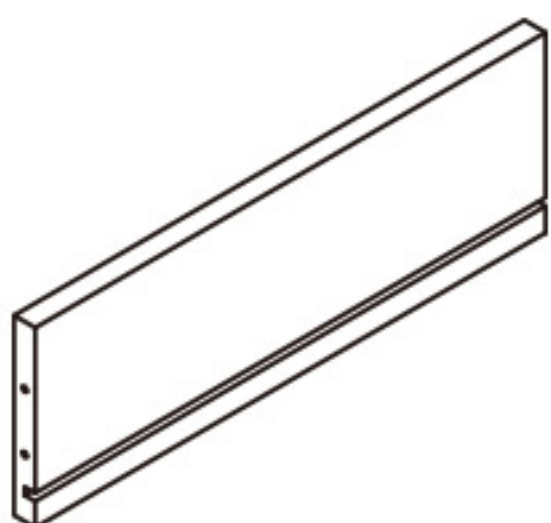
x2

⑬



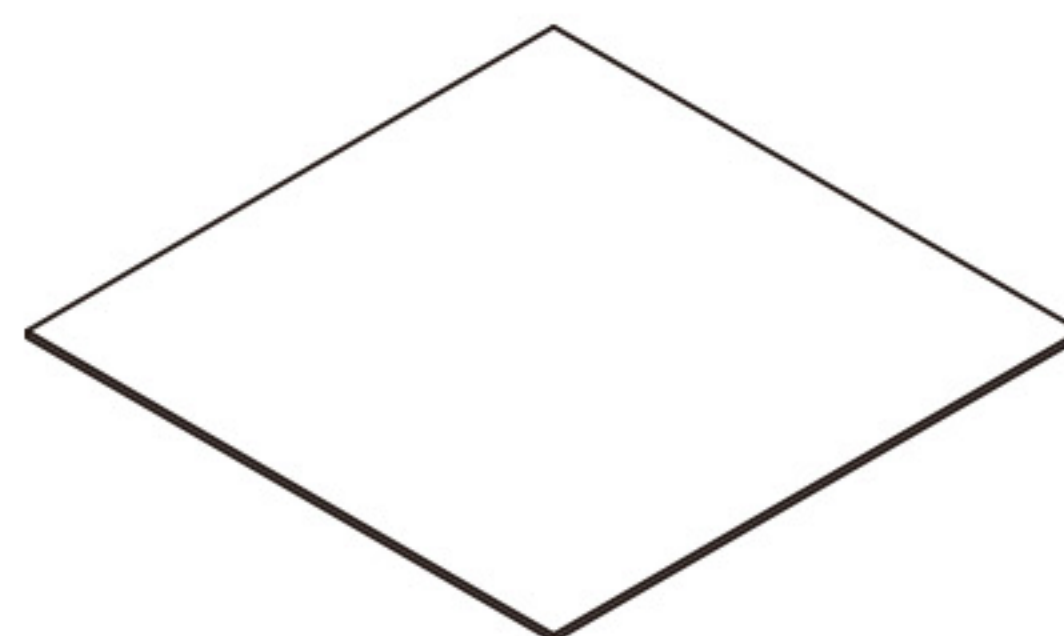
x2

⑭



x2

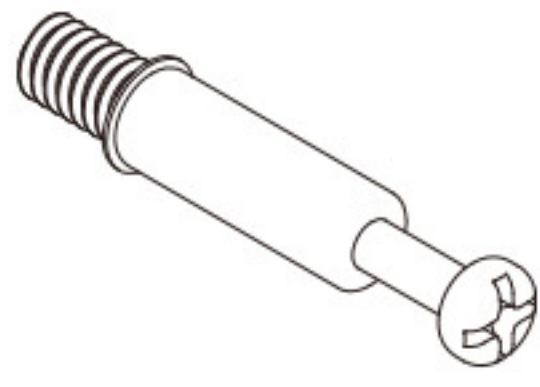
⑮



x2

PARTS LIST

A x32



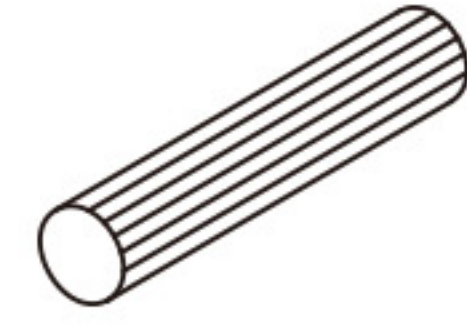
M5x30mm

B x32



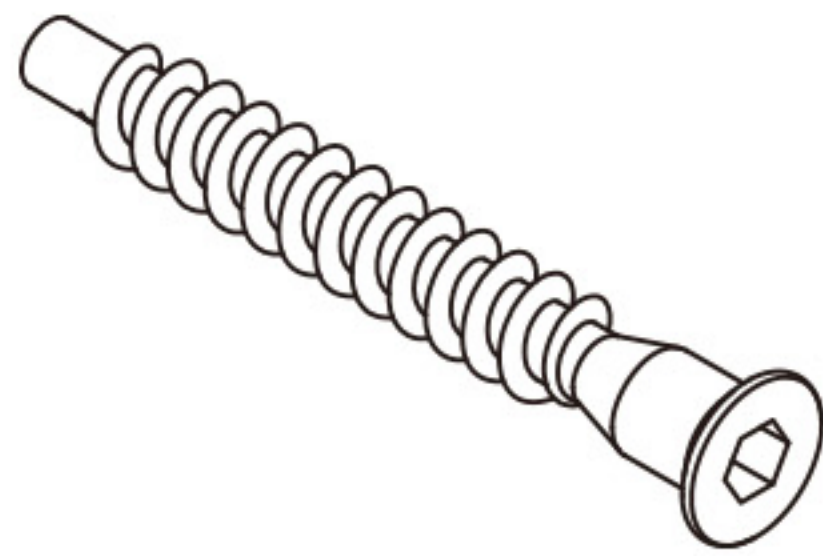
M12x9.5mm

C x8



M6x30mm

D x4



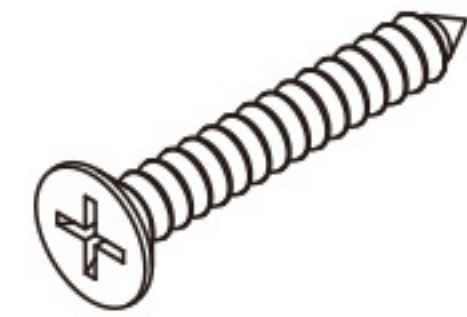
M5x40mm

E x24



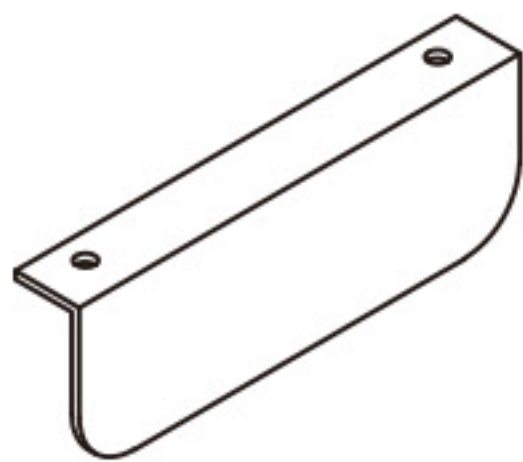
M3.5x12mm

F x8



M3.5x35mm

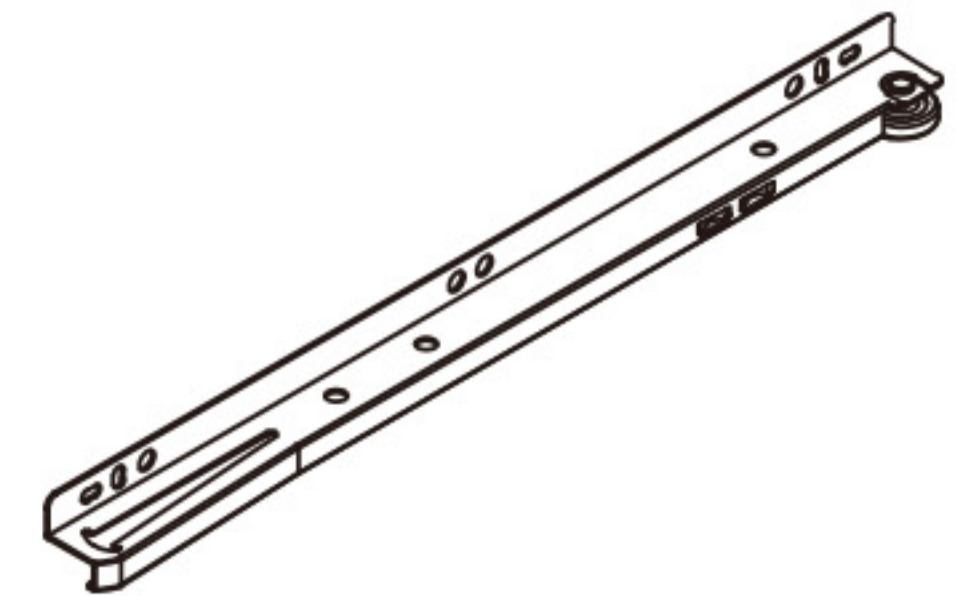
G x2



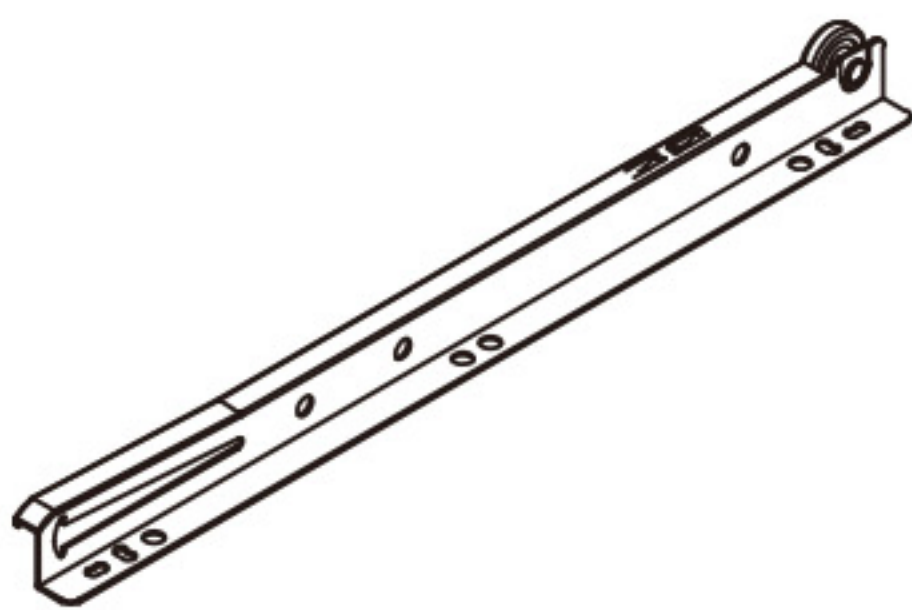
H x4



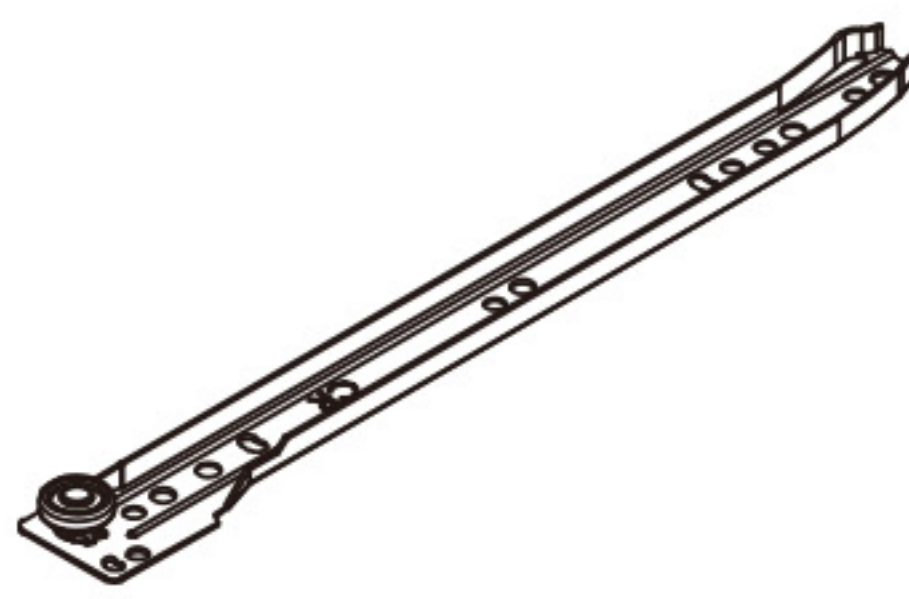
DR x2



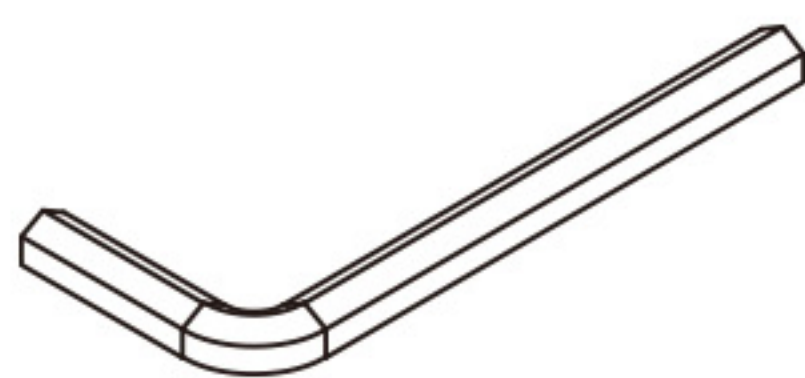
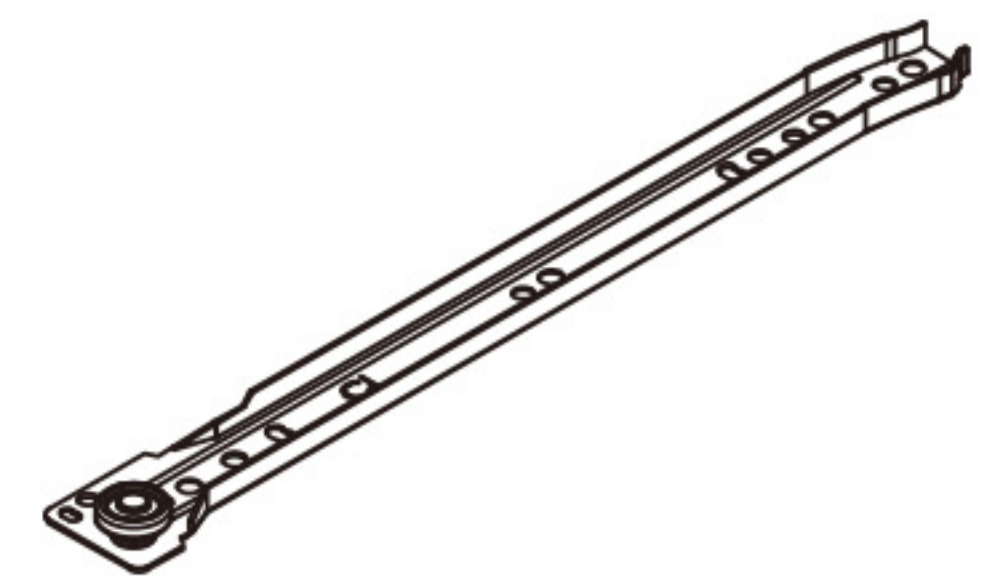
DL x2



CR x2



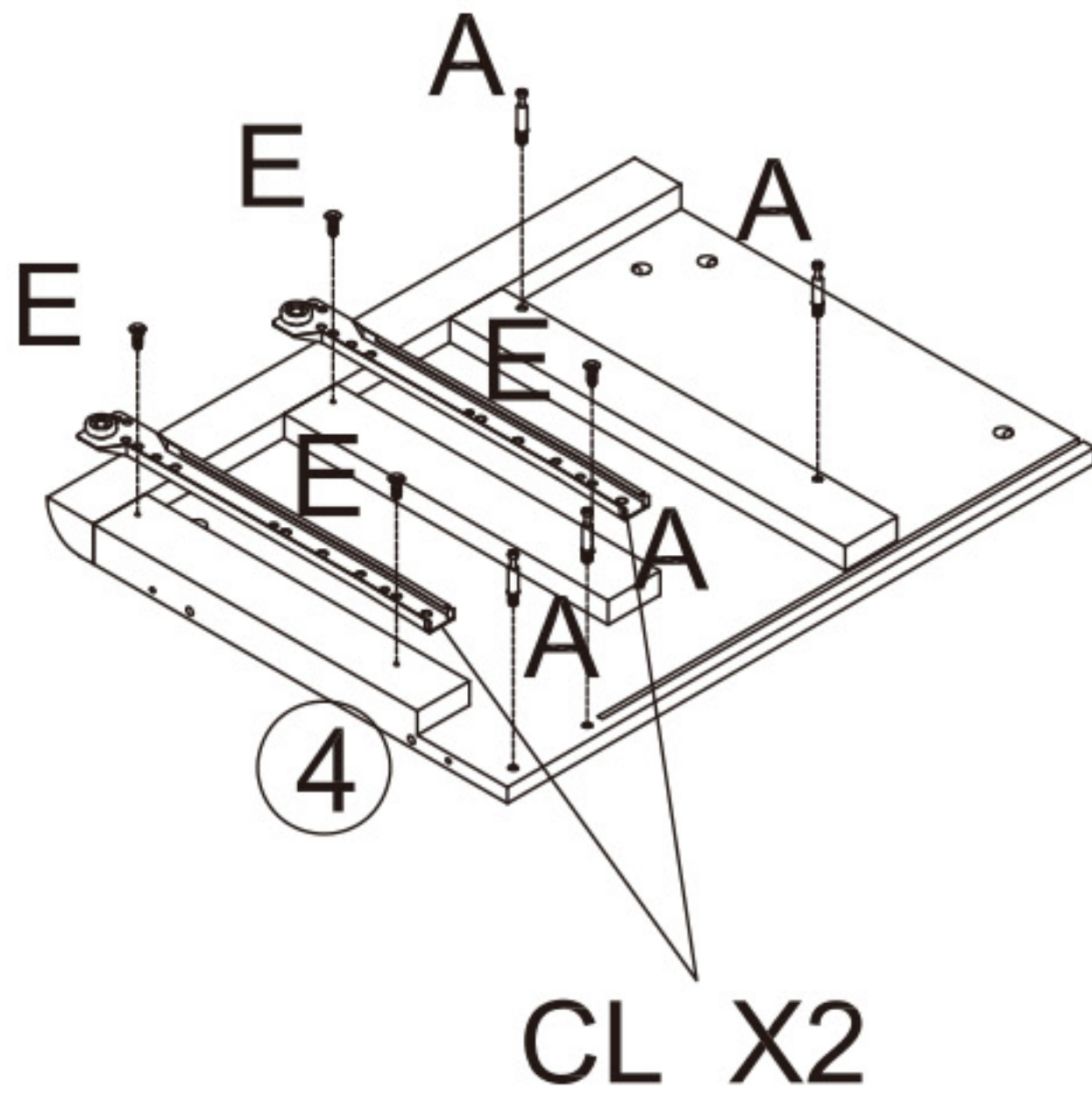
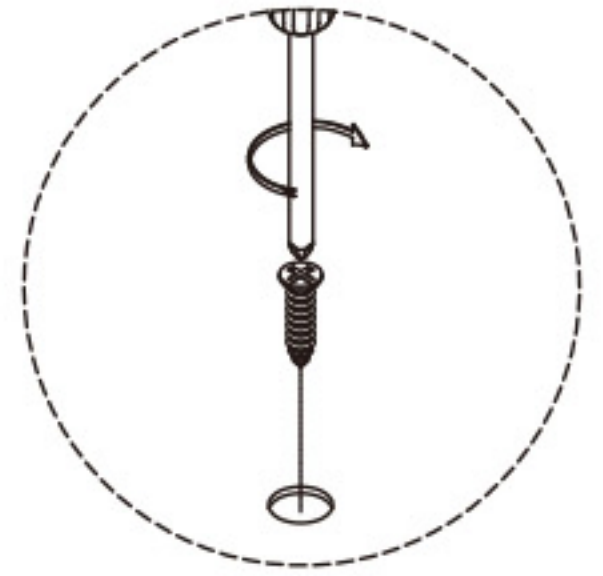
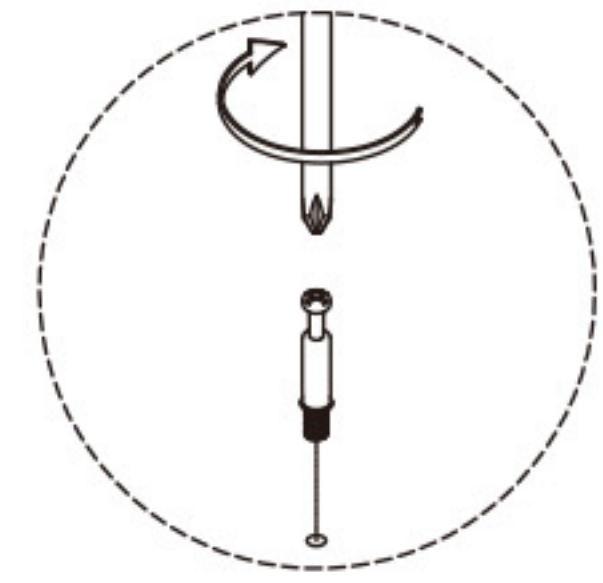
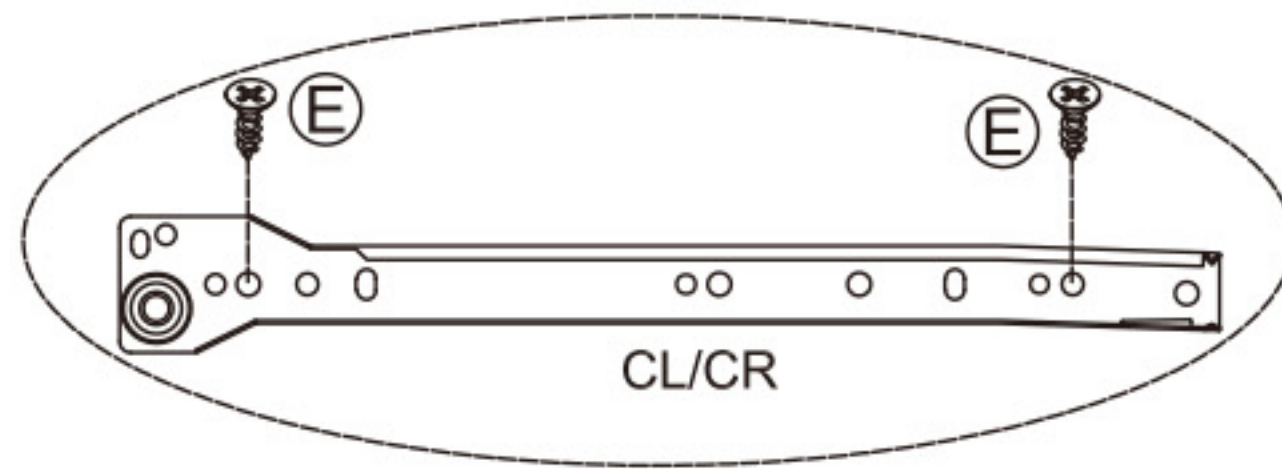
CL x2



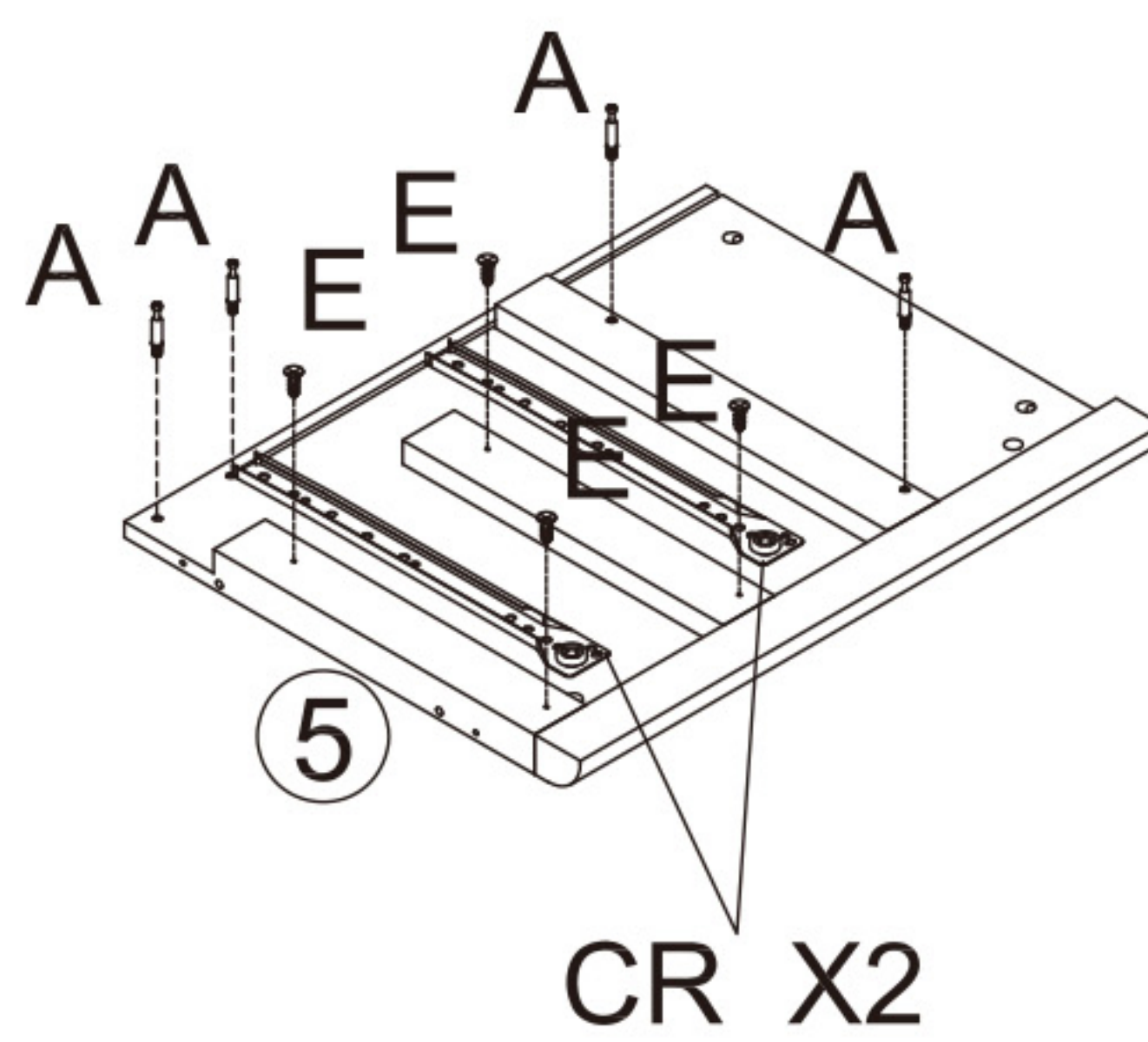
M3

Assembly Steps





1



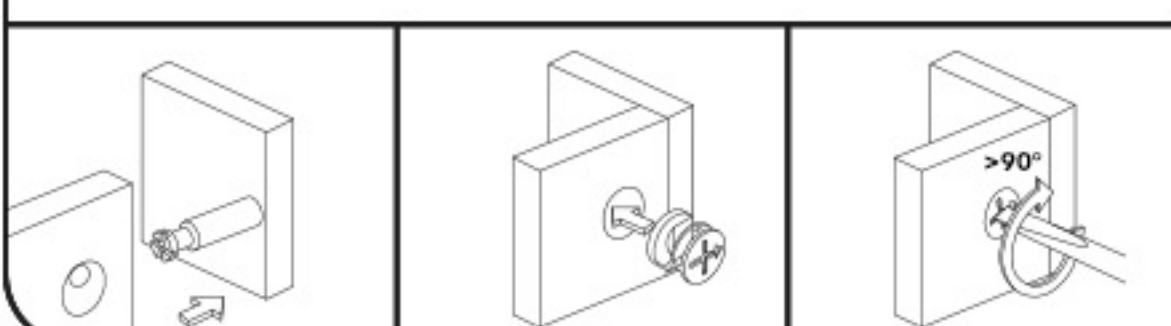
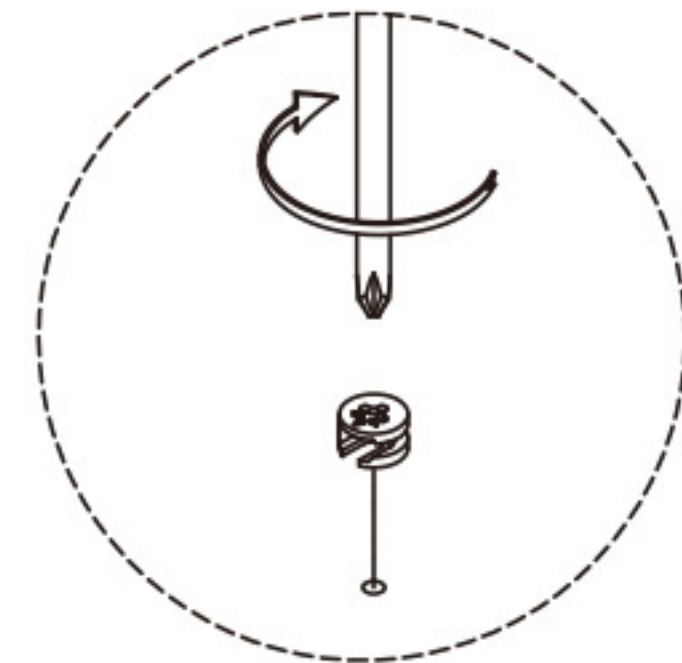
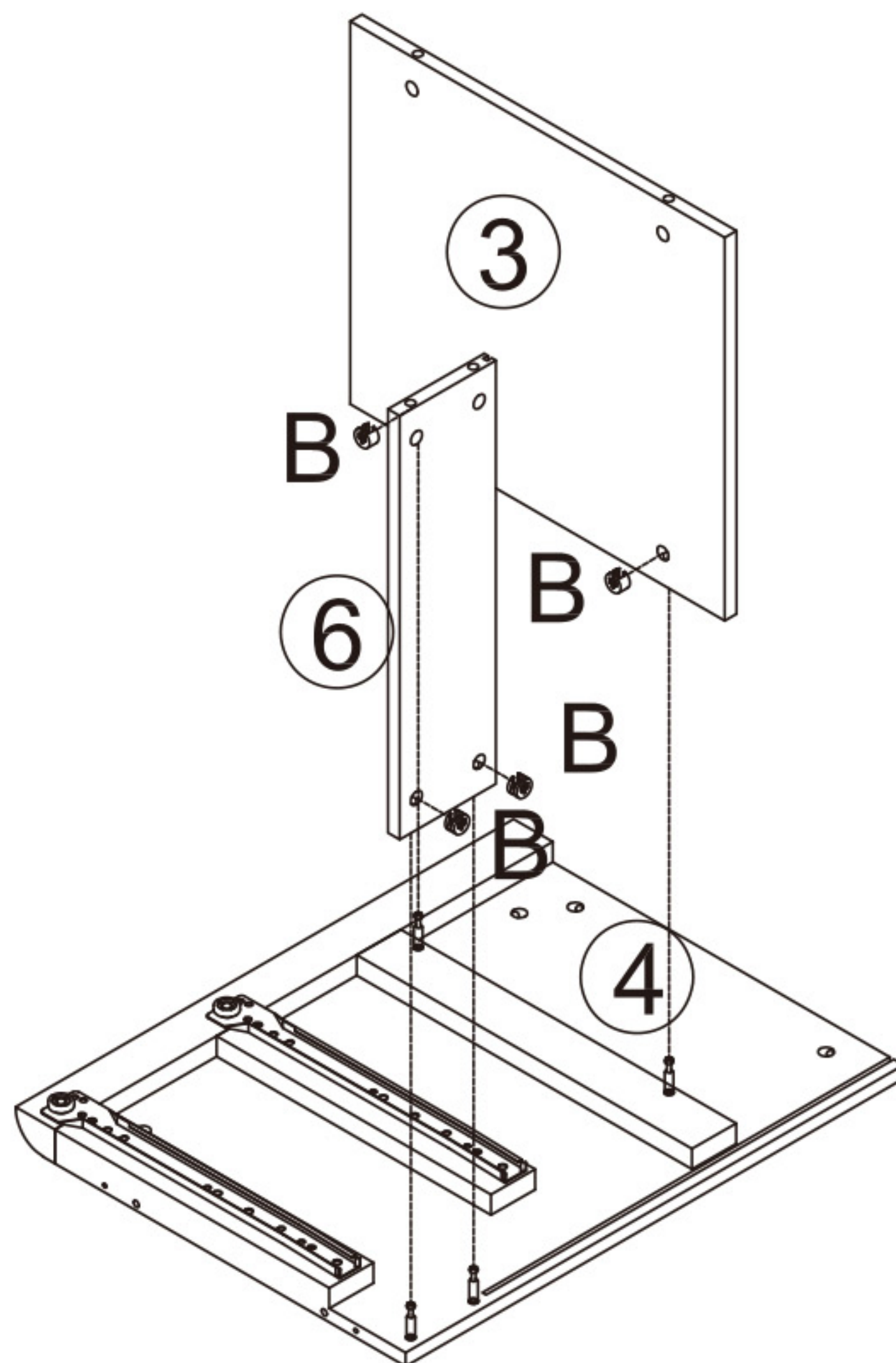
CL X2




CR X2

CR		x2	A		x8
CL		x2	E		x8

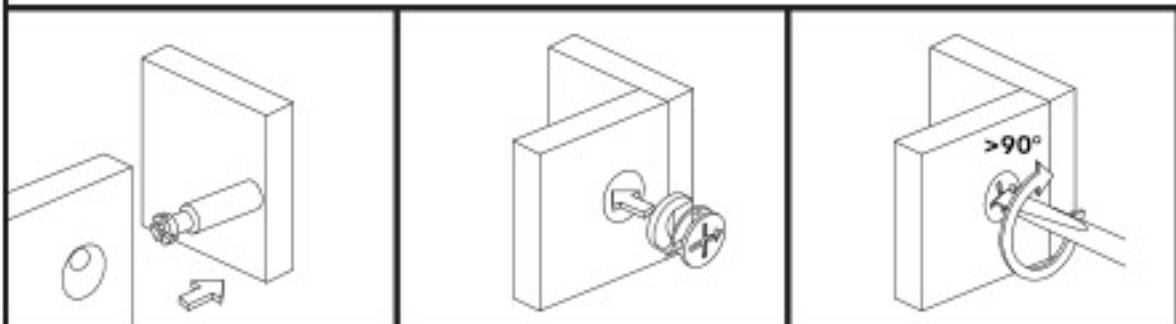
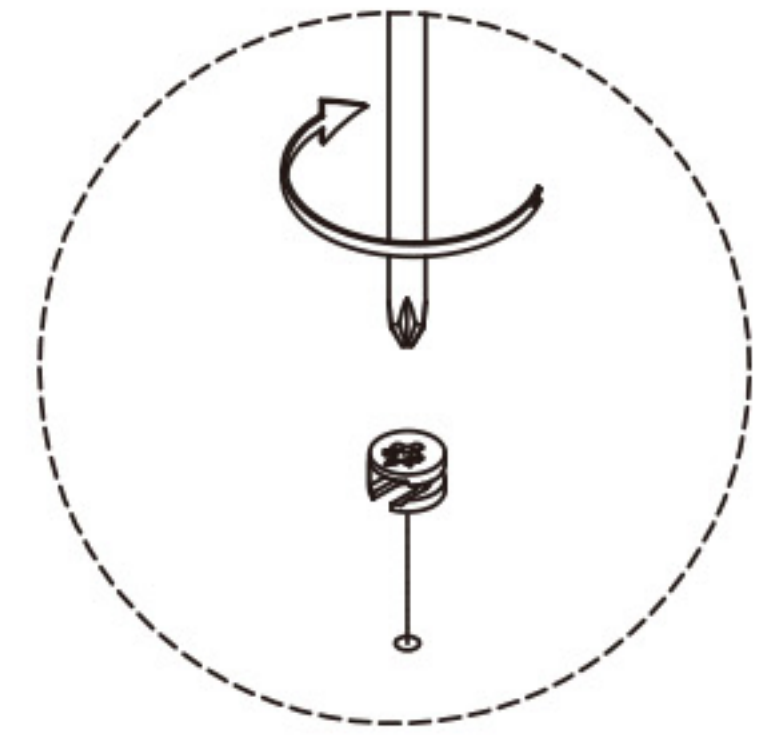
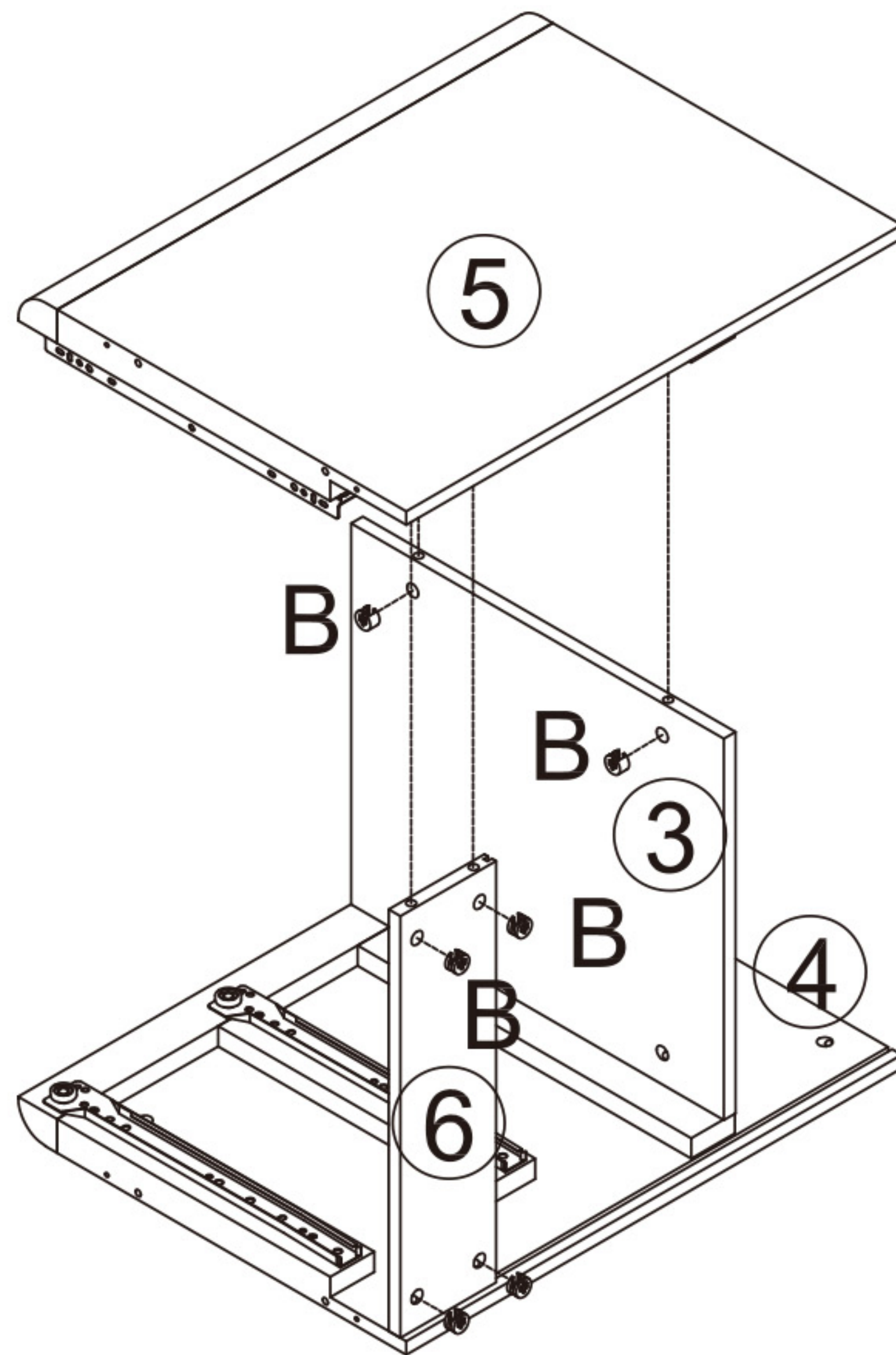
2



B		x4
---	---	----

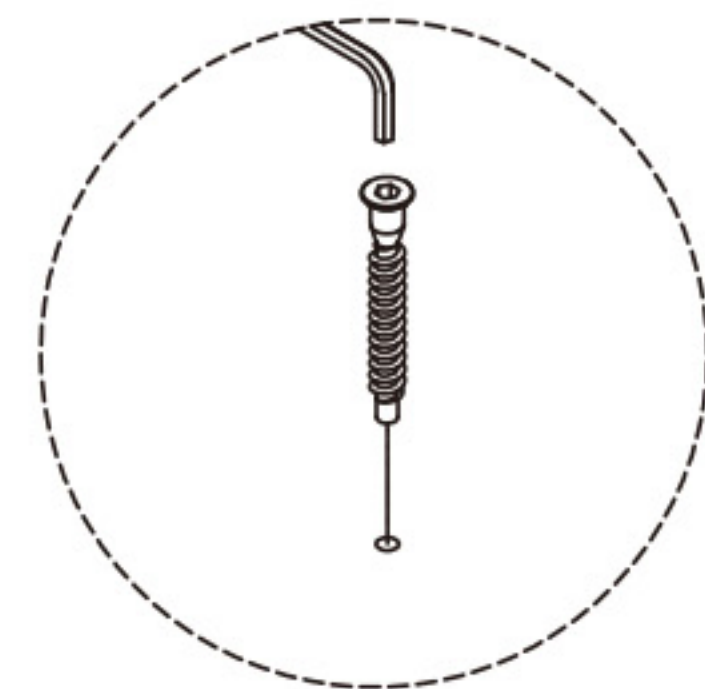
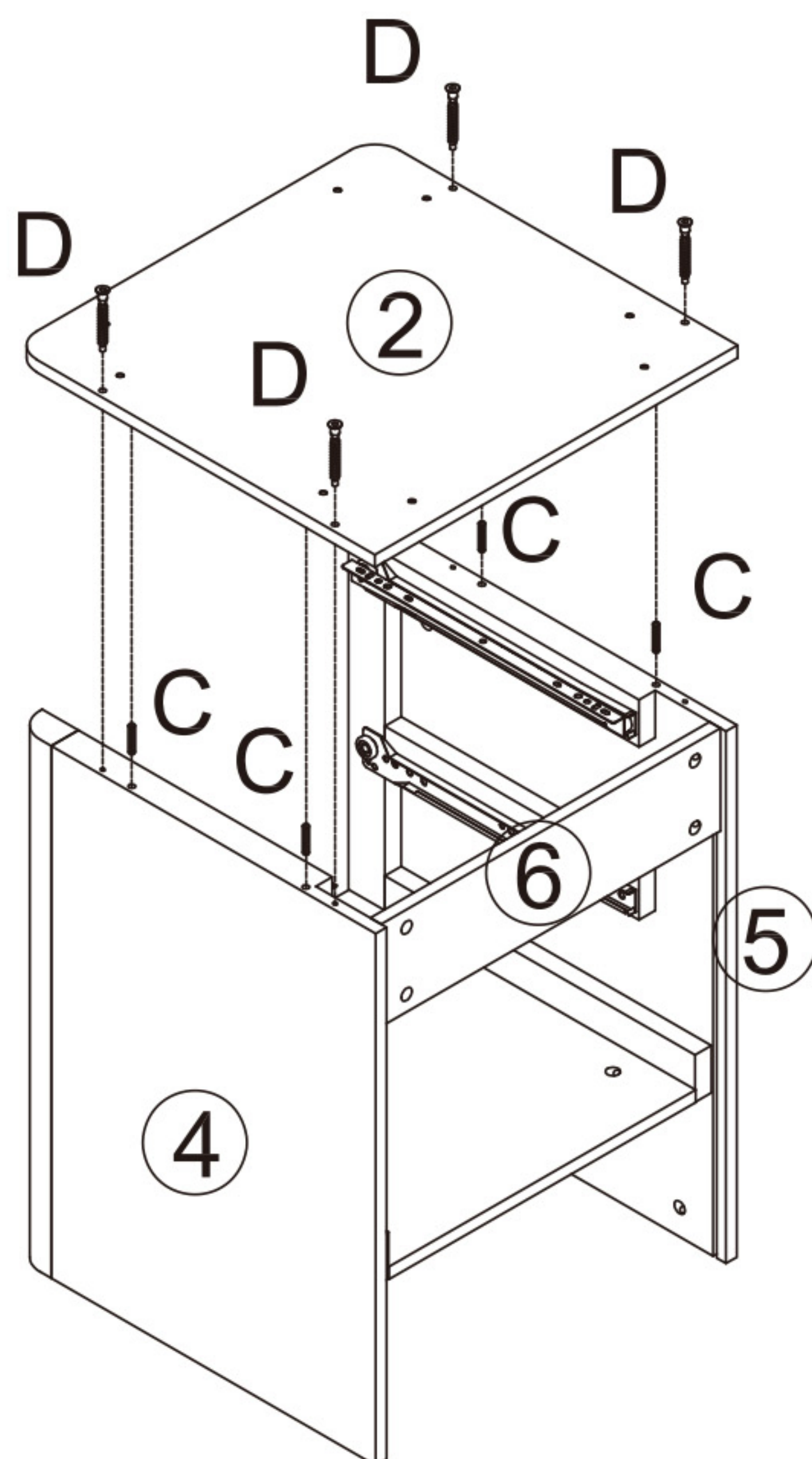
Assembly Steps

3



B  ×4

4

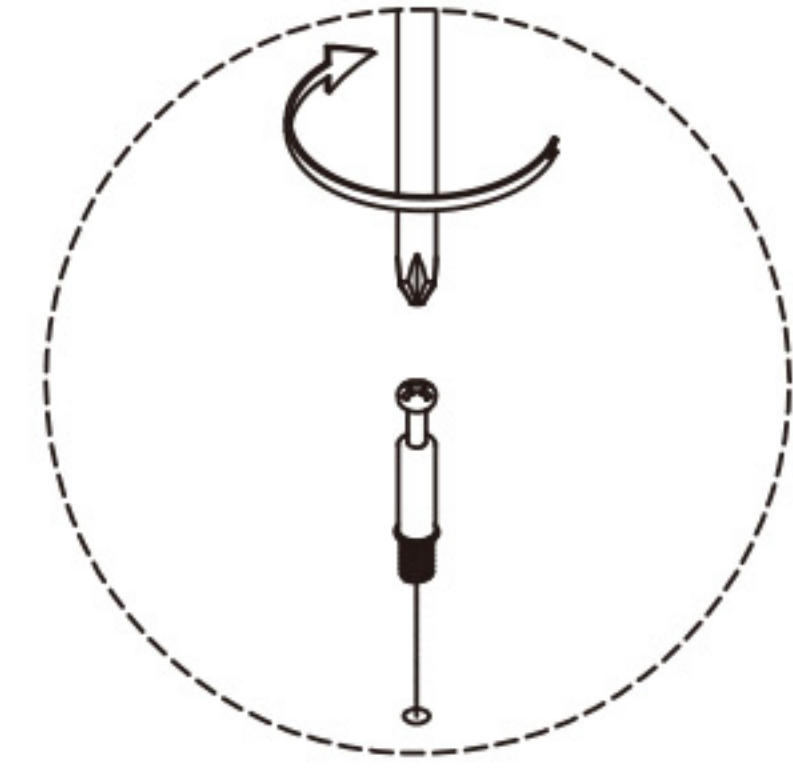
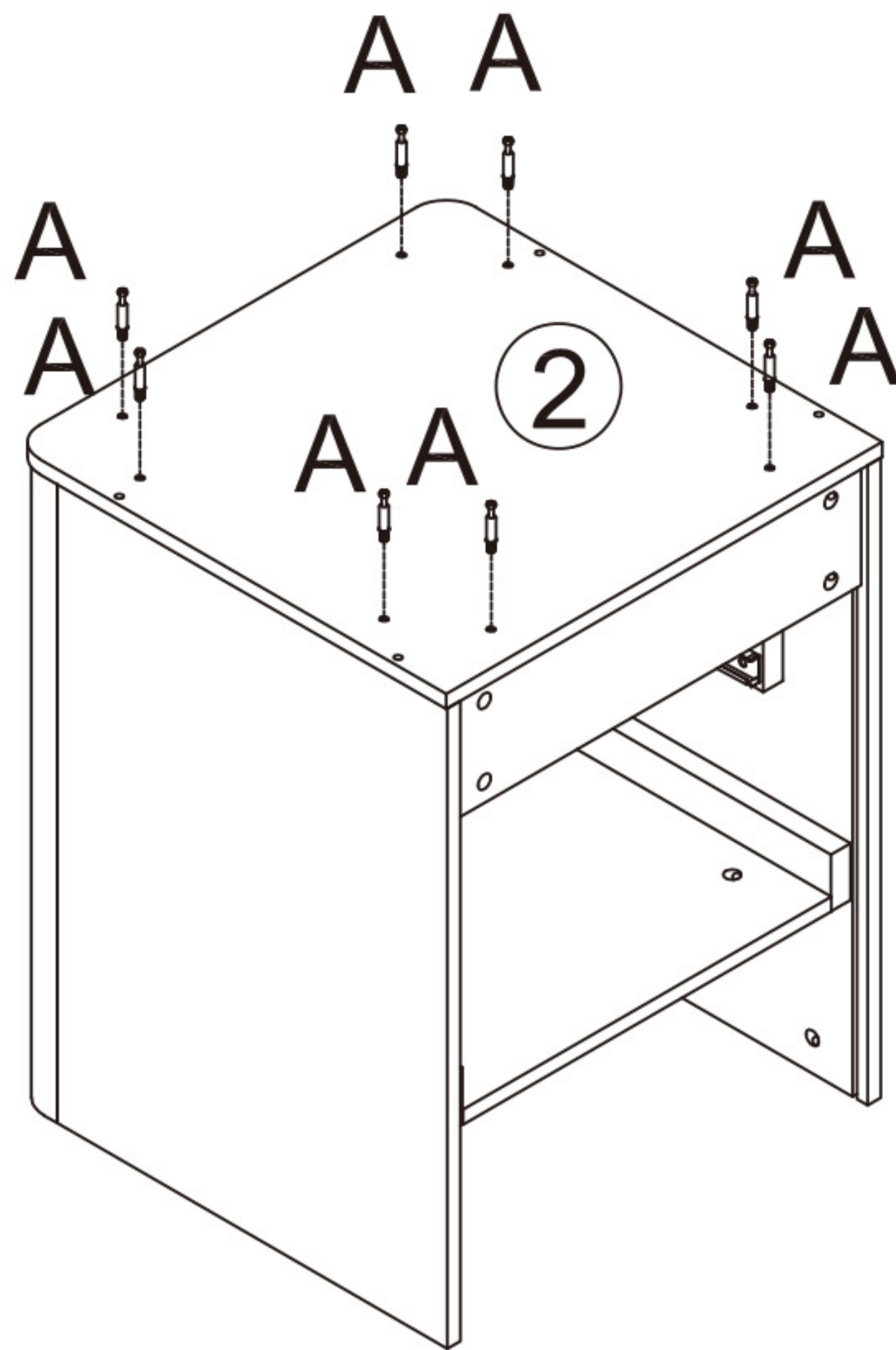



C  ×4

D  ×4

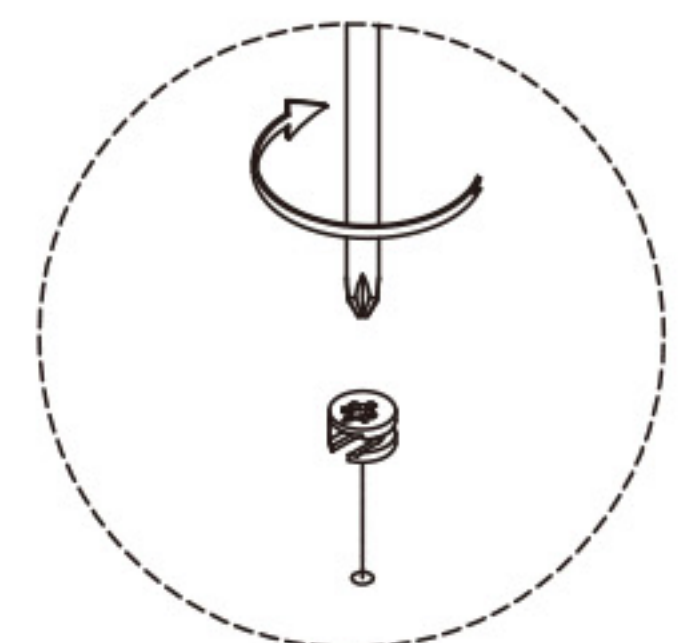
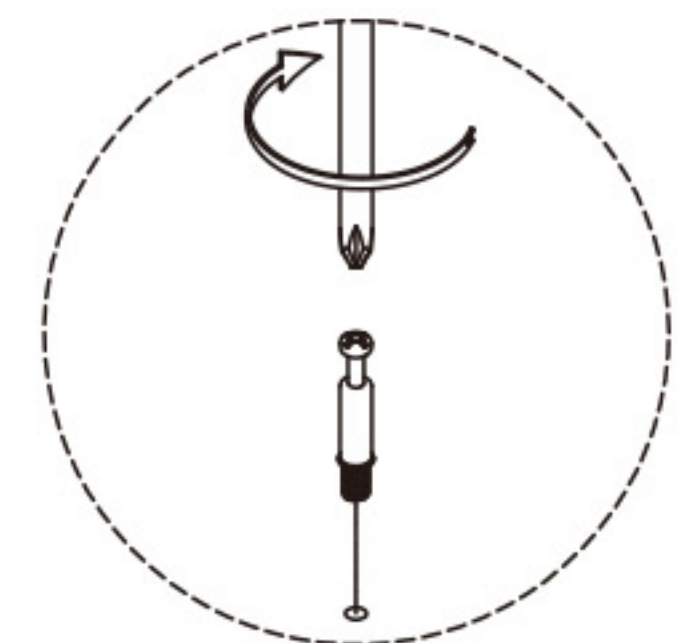
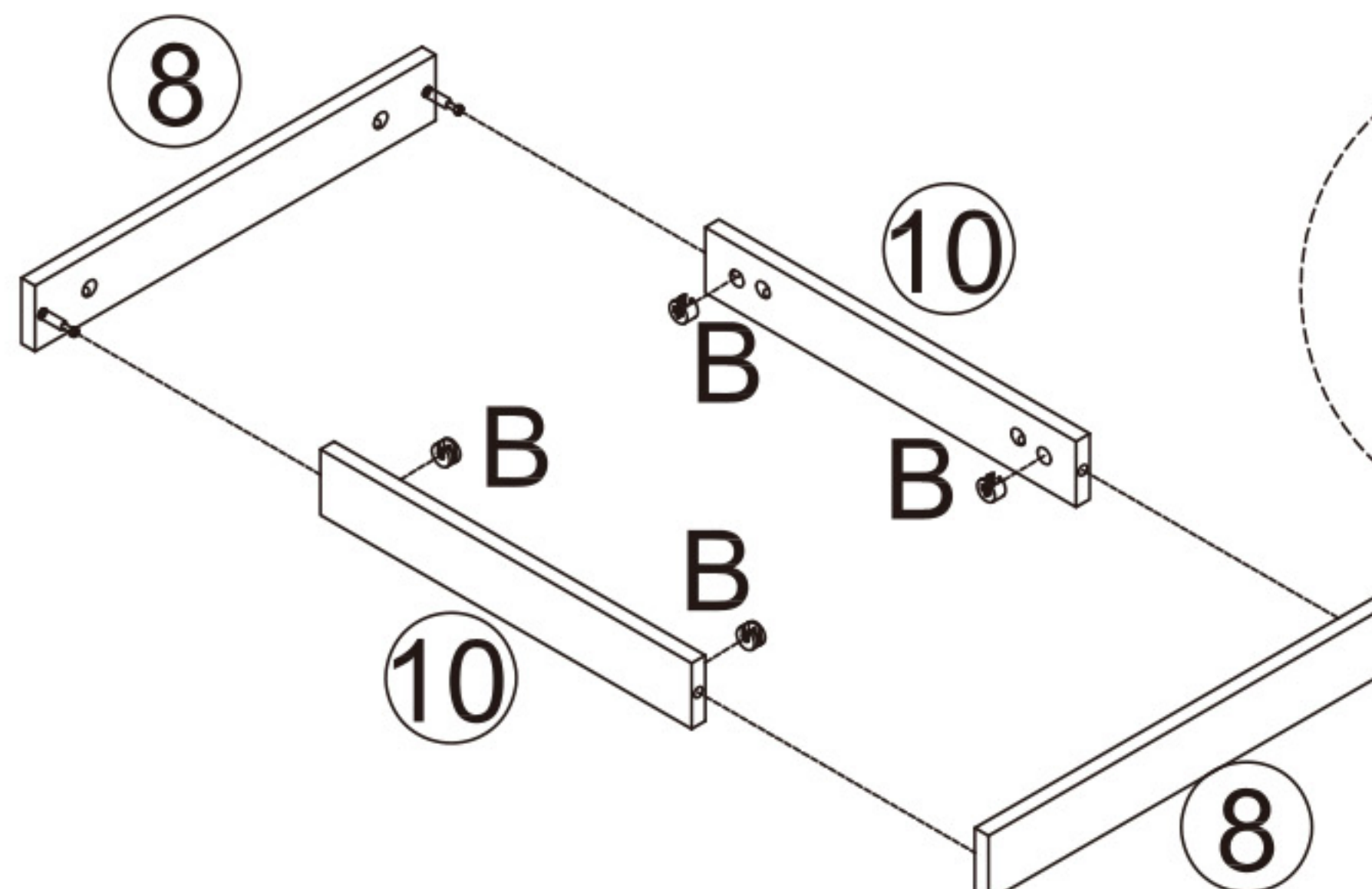
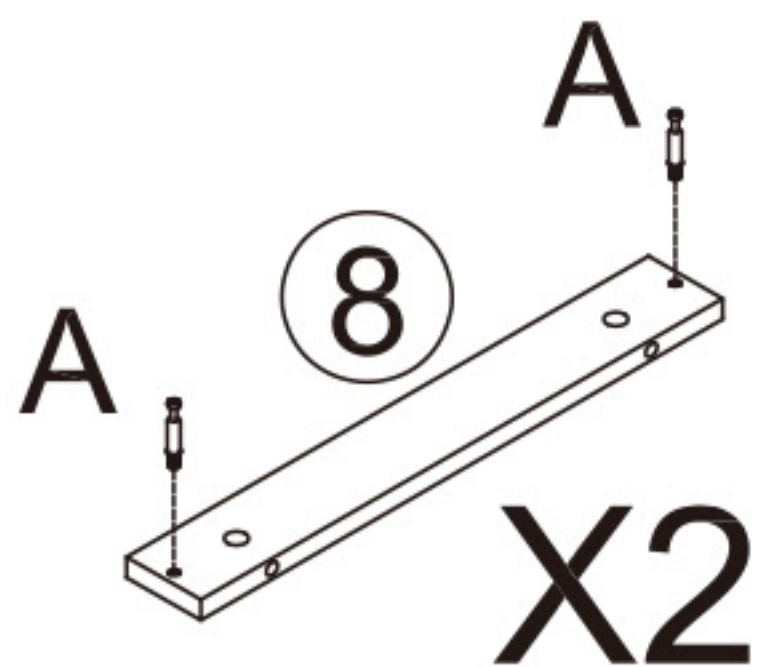
Assembly Steps


5




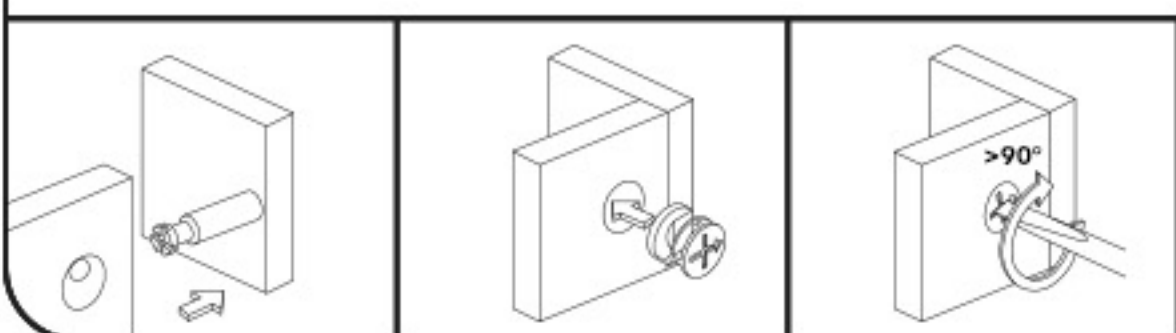
A		x8
---	---	----

6 The following steps need to be executed 2 times



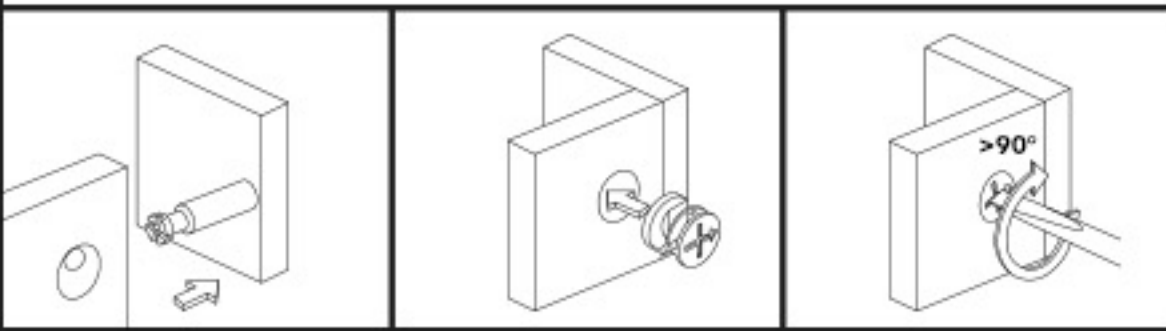
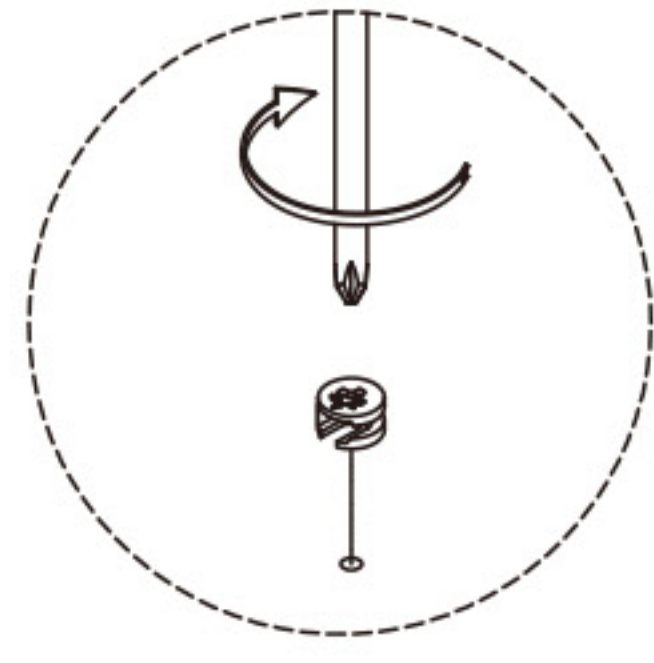
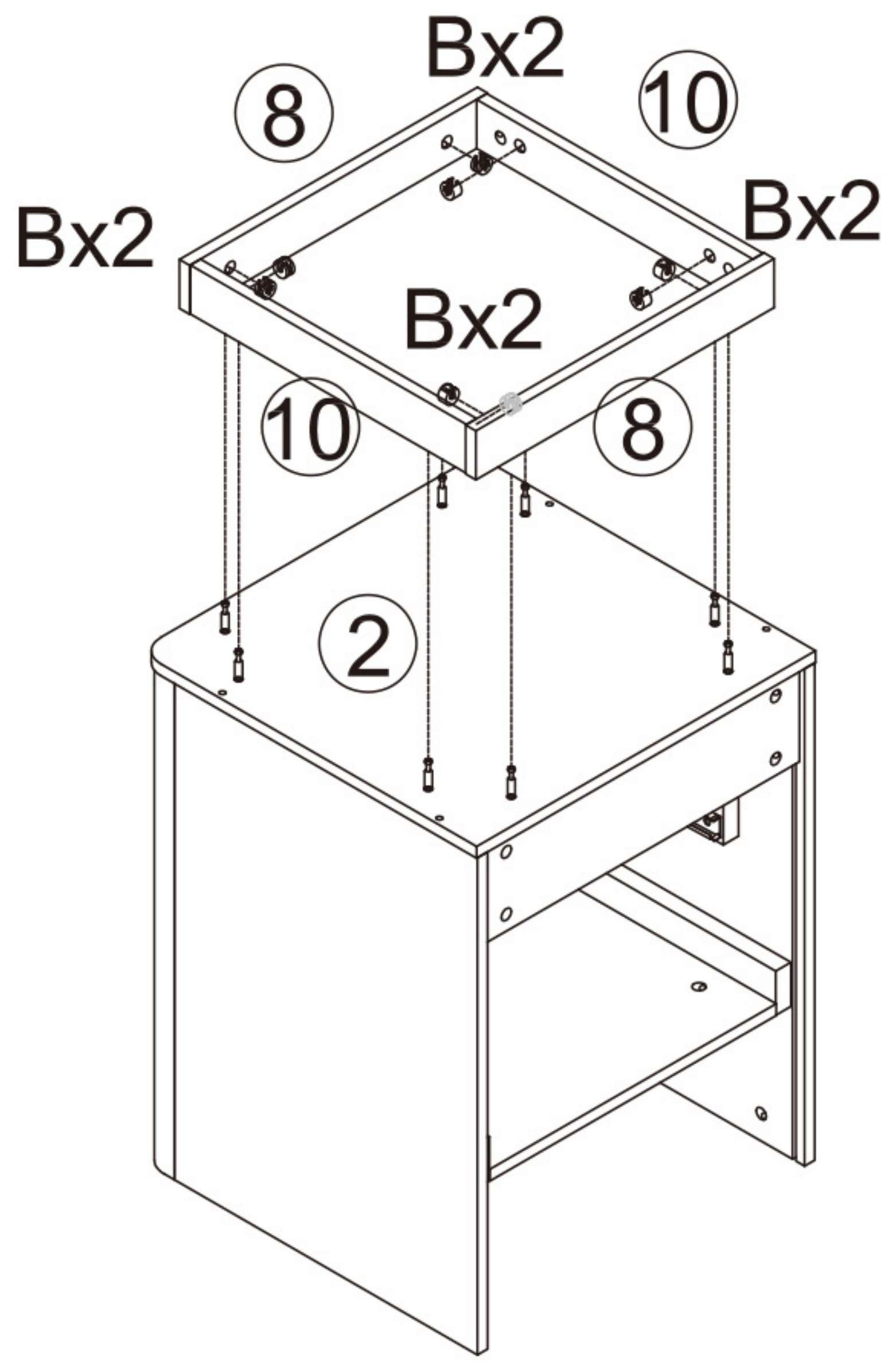
A		x4
---	---	----

B		x4
---	---	----



Assembly Steps

7

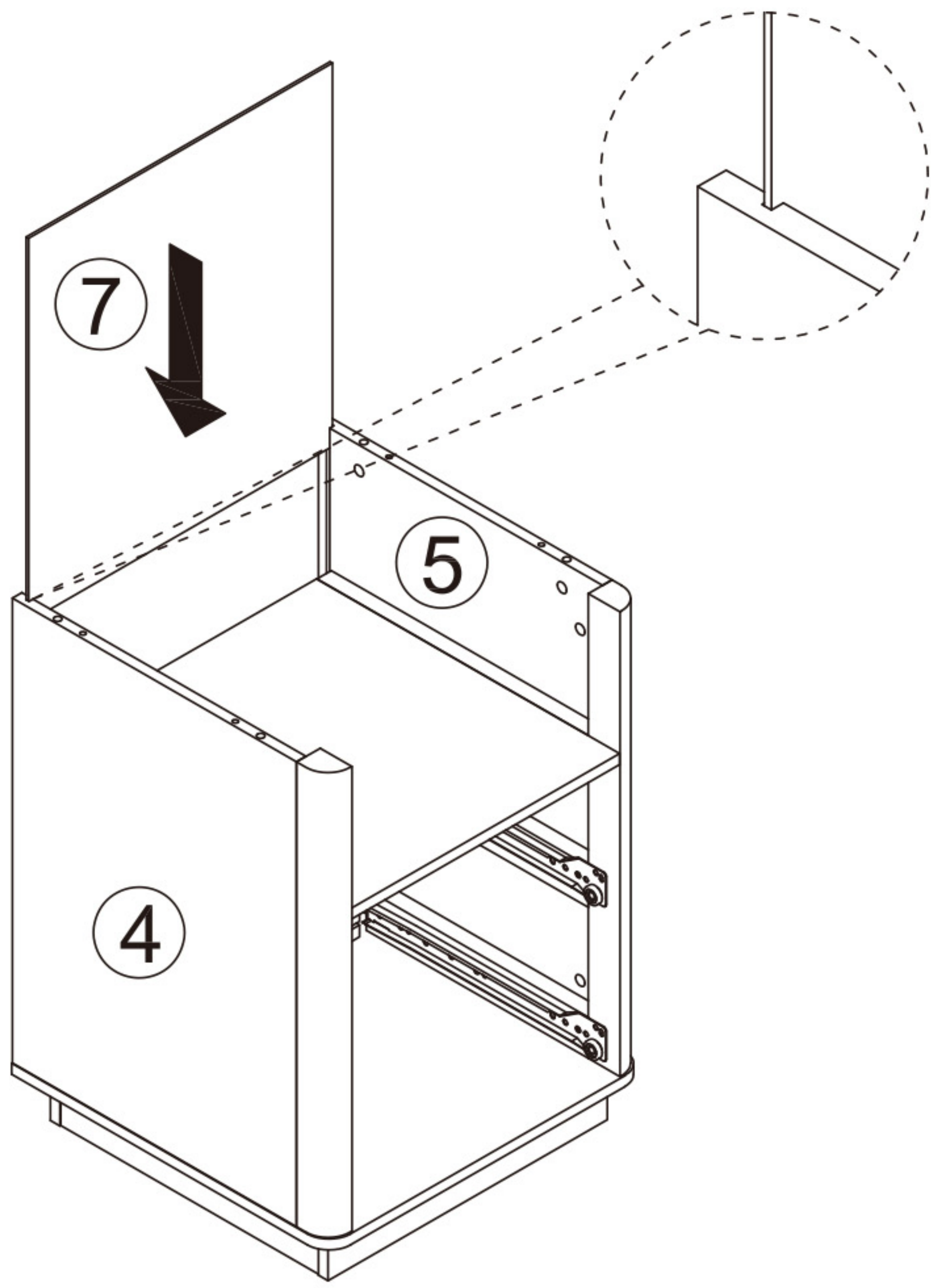


B



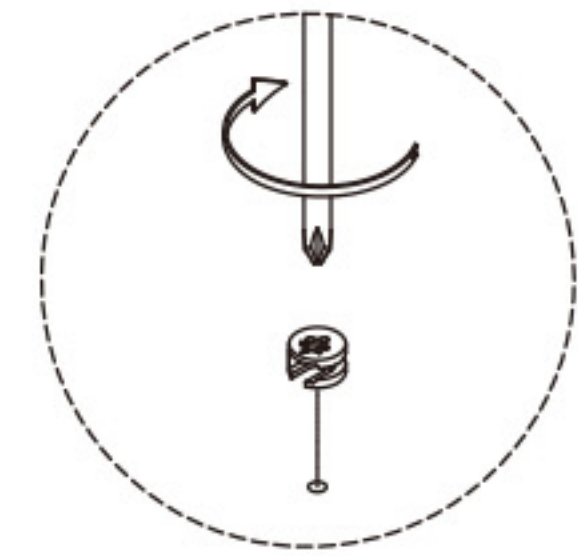
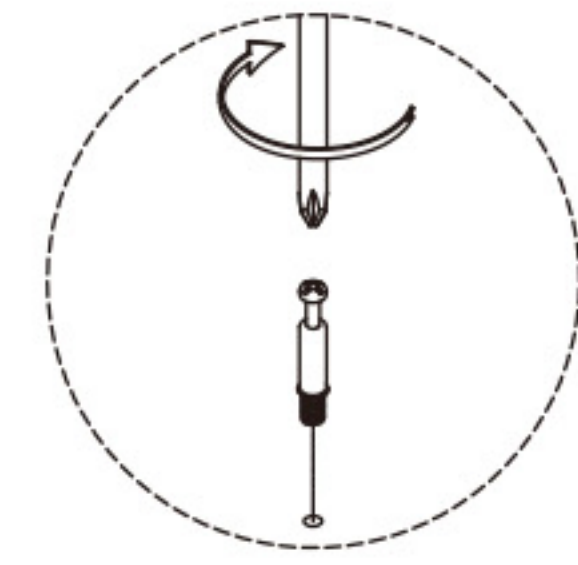
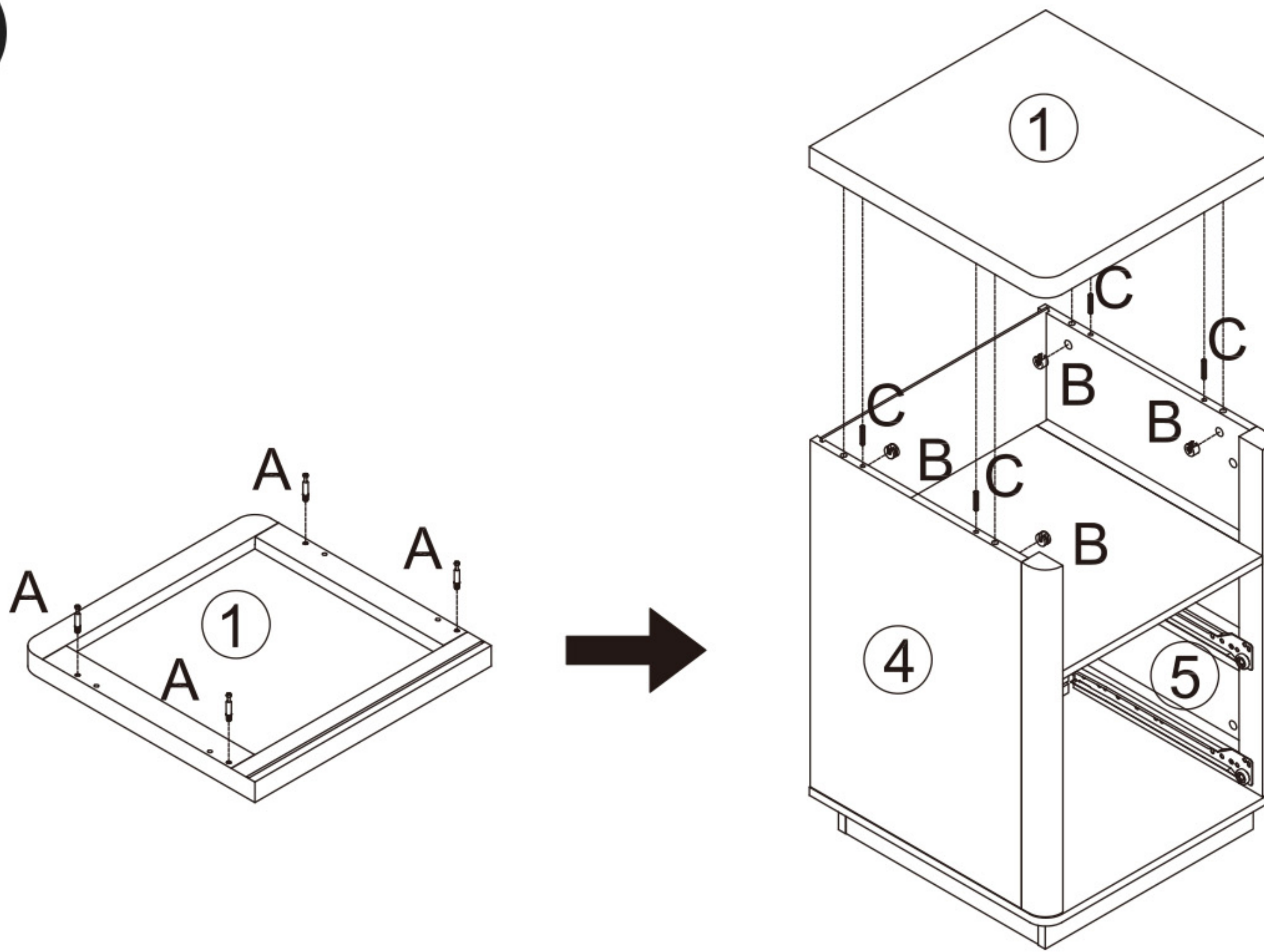
x8

8

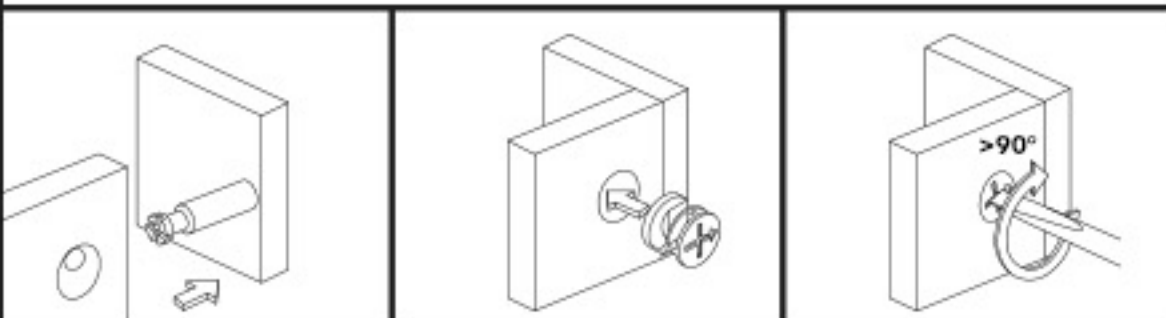


Assembly Steps

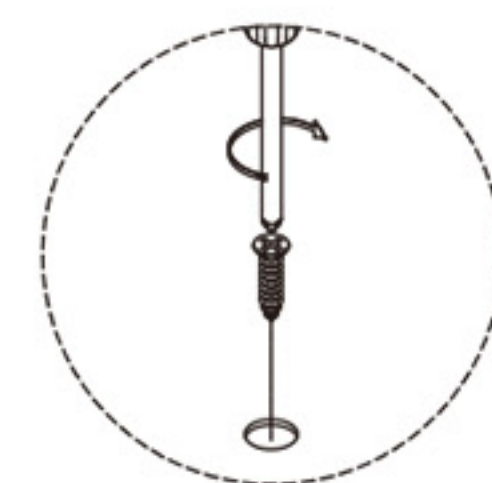
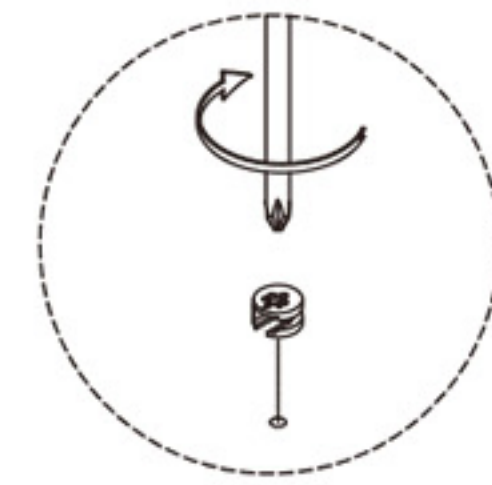
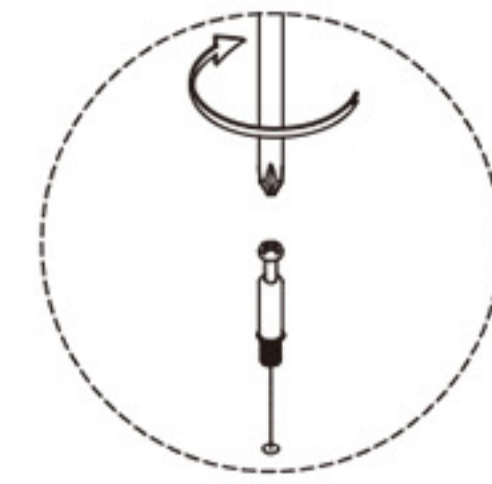
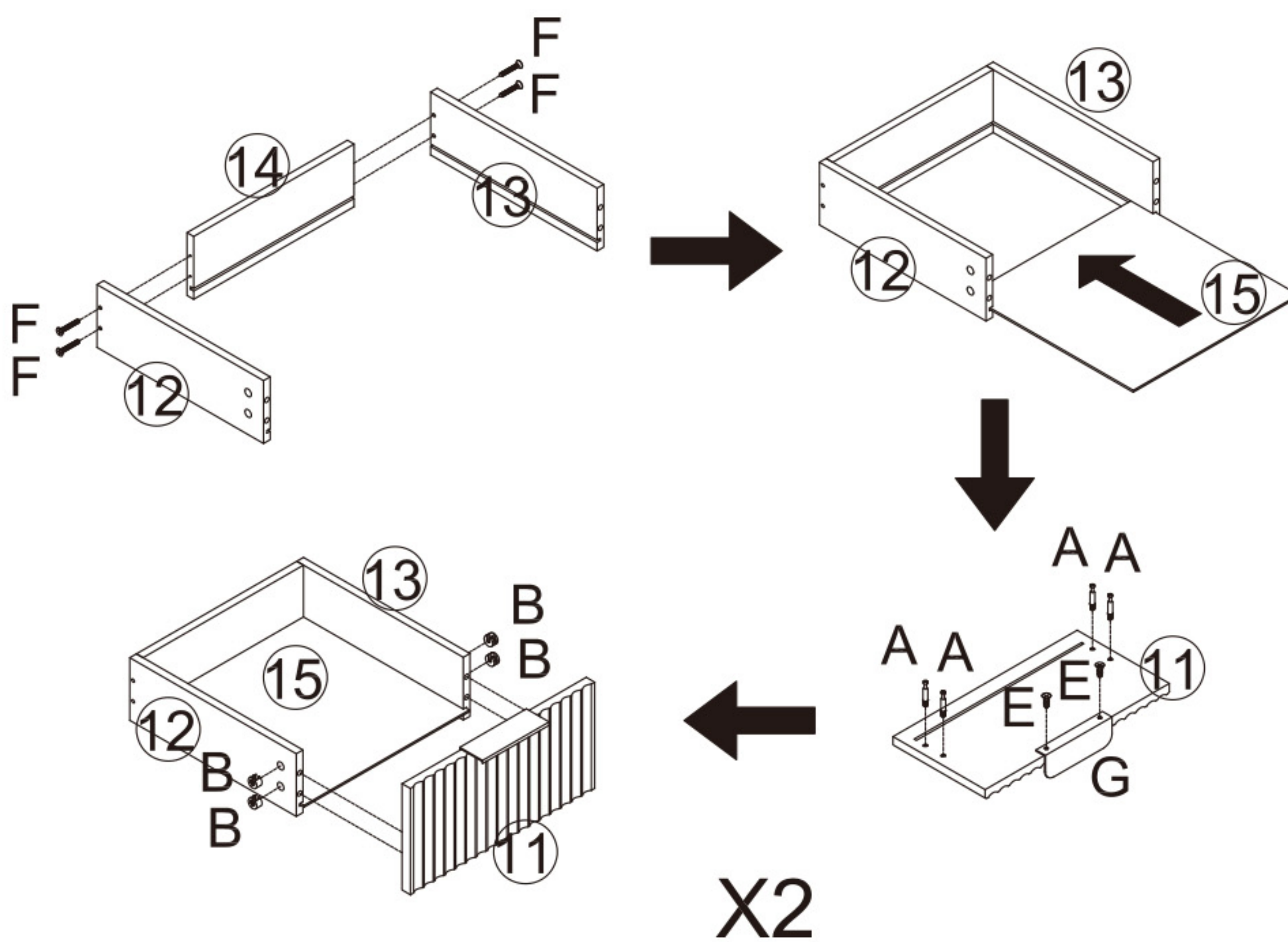
9



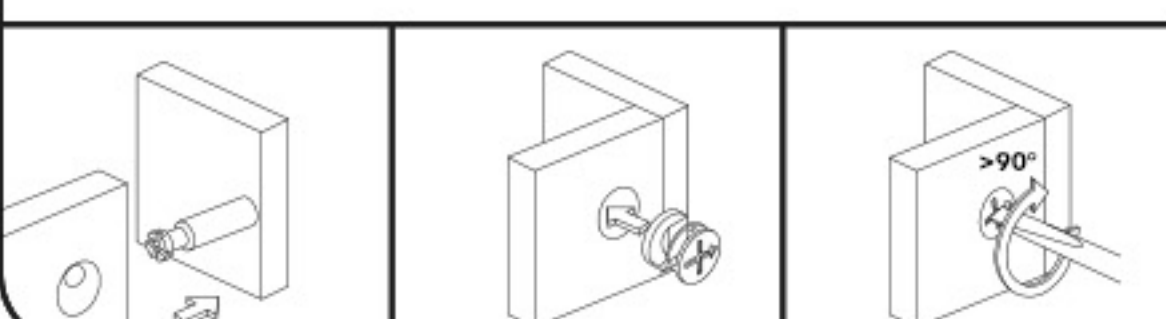
A		x4
C		x4
B		x4



10 The following steps need to be executed 2 times

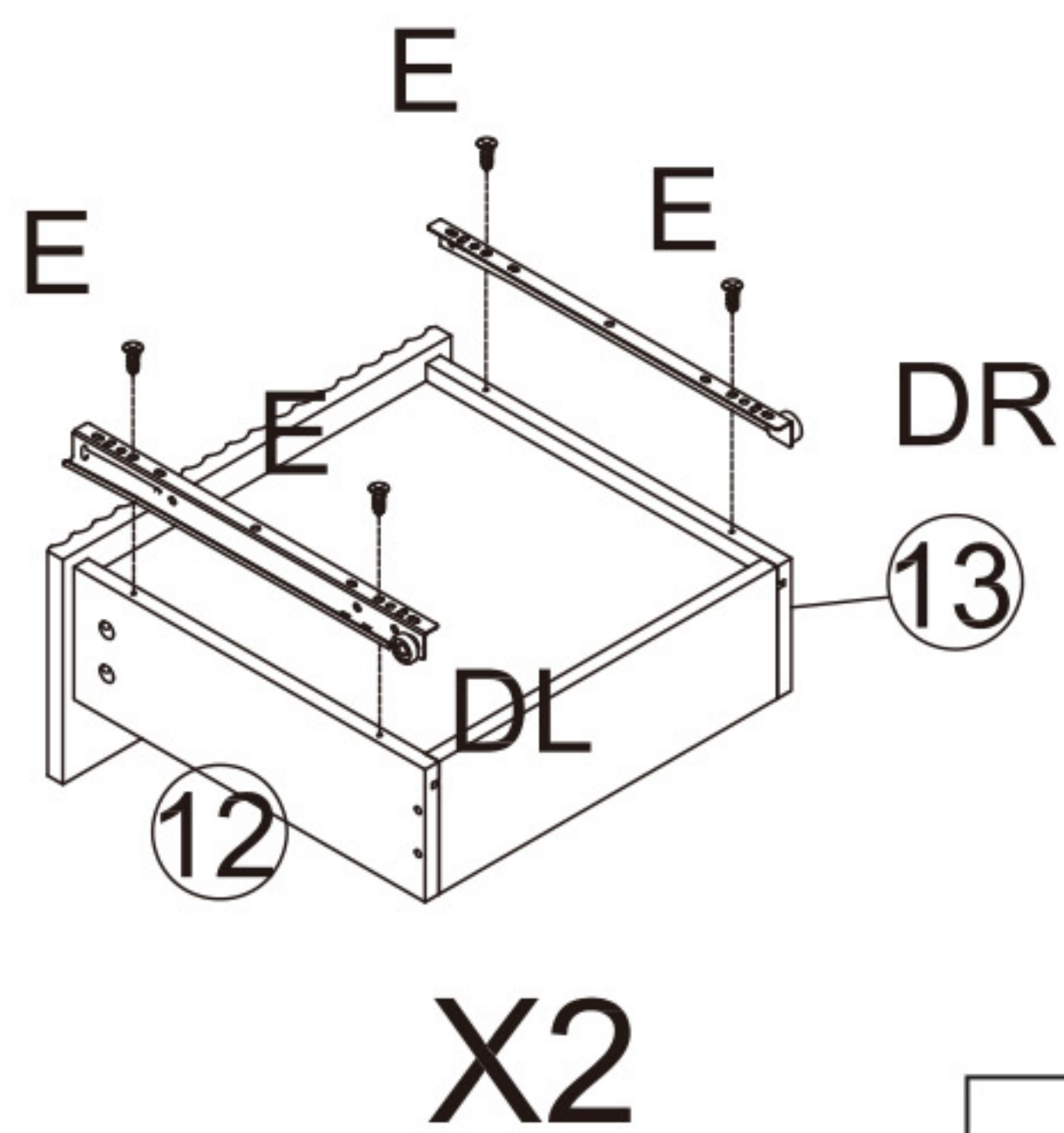
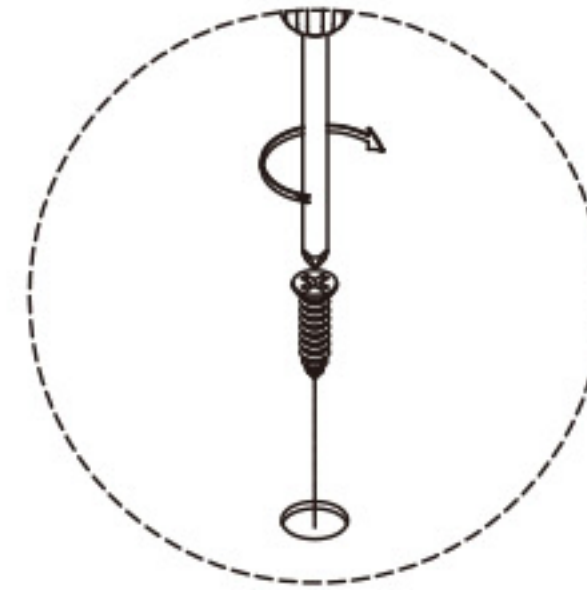
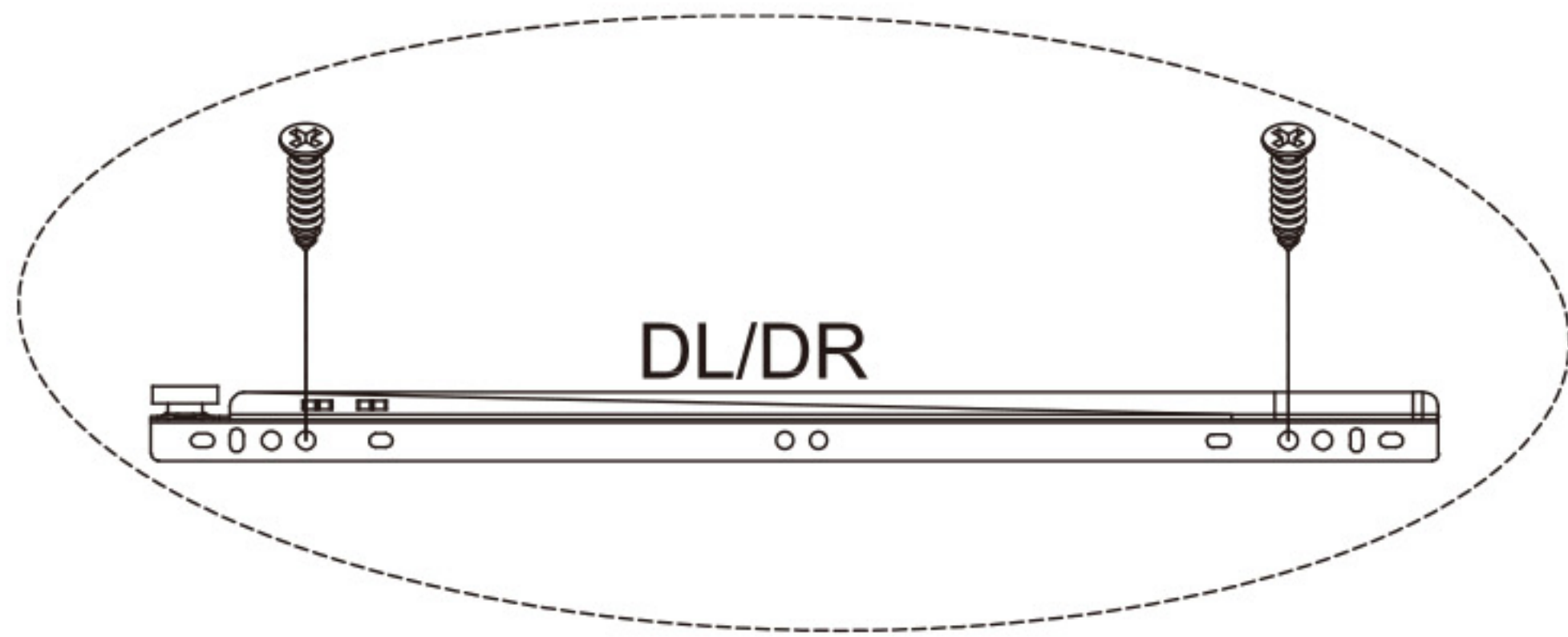





G		x2
E		x4
A		x8
F		x8
B		x8



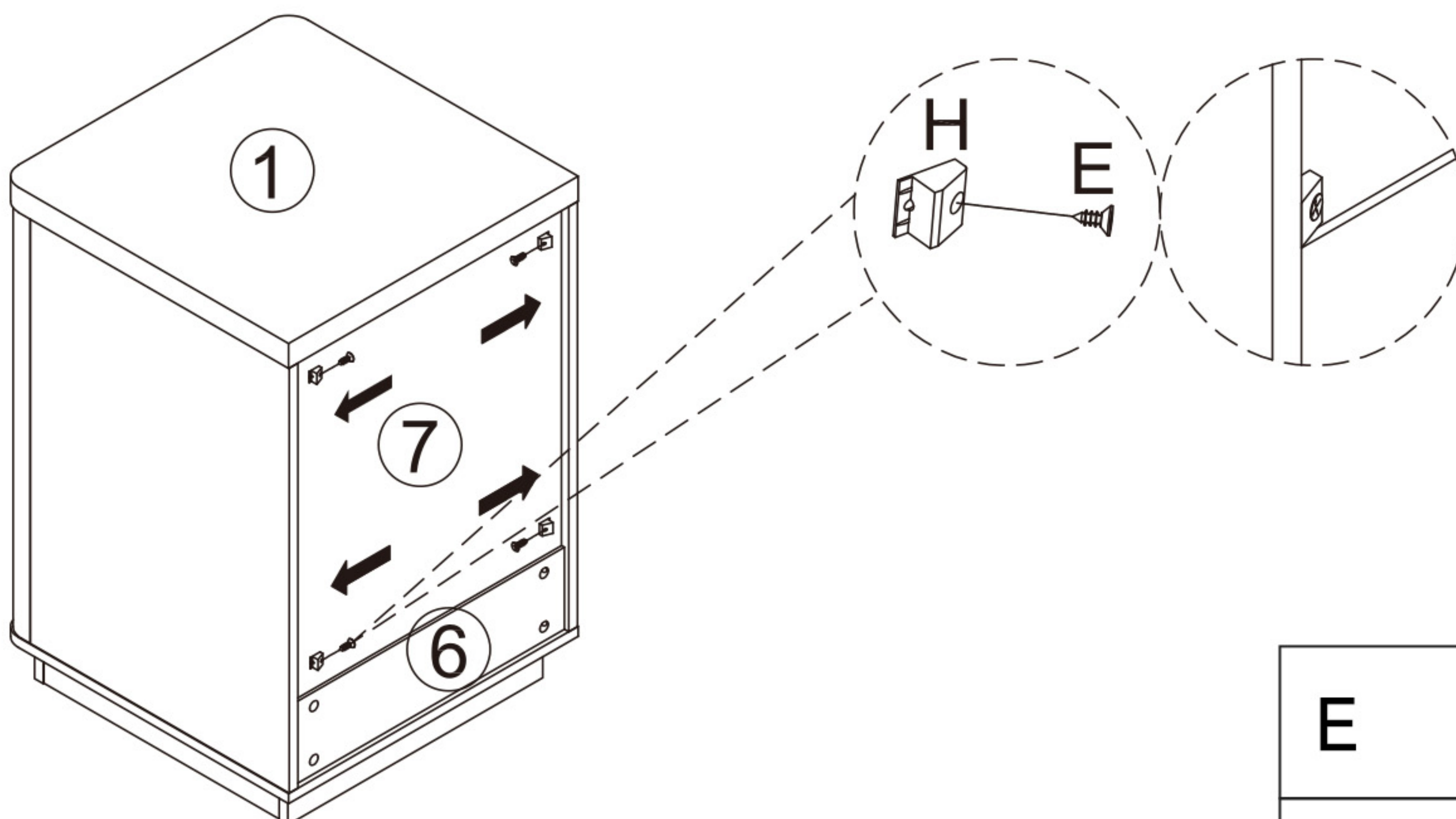
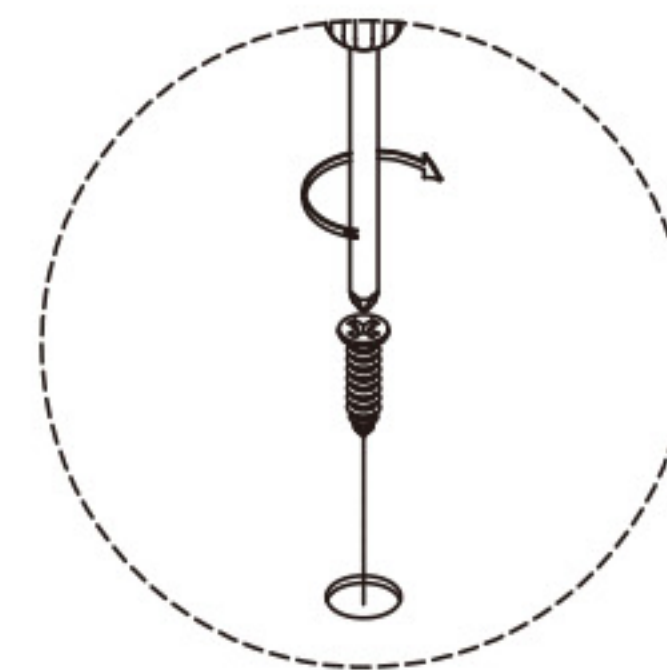
Assembly Steps



11 The following steps need to be executed 2 times



			DR		x2
E		x8	DL		x2

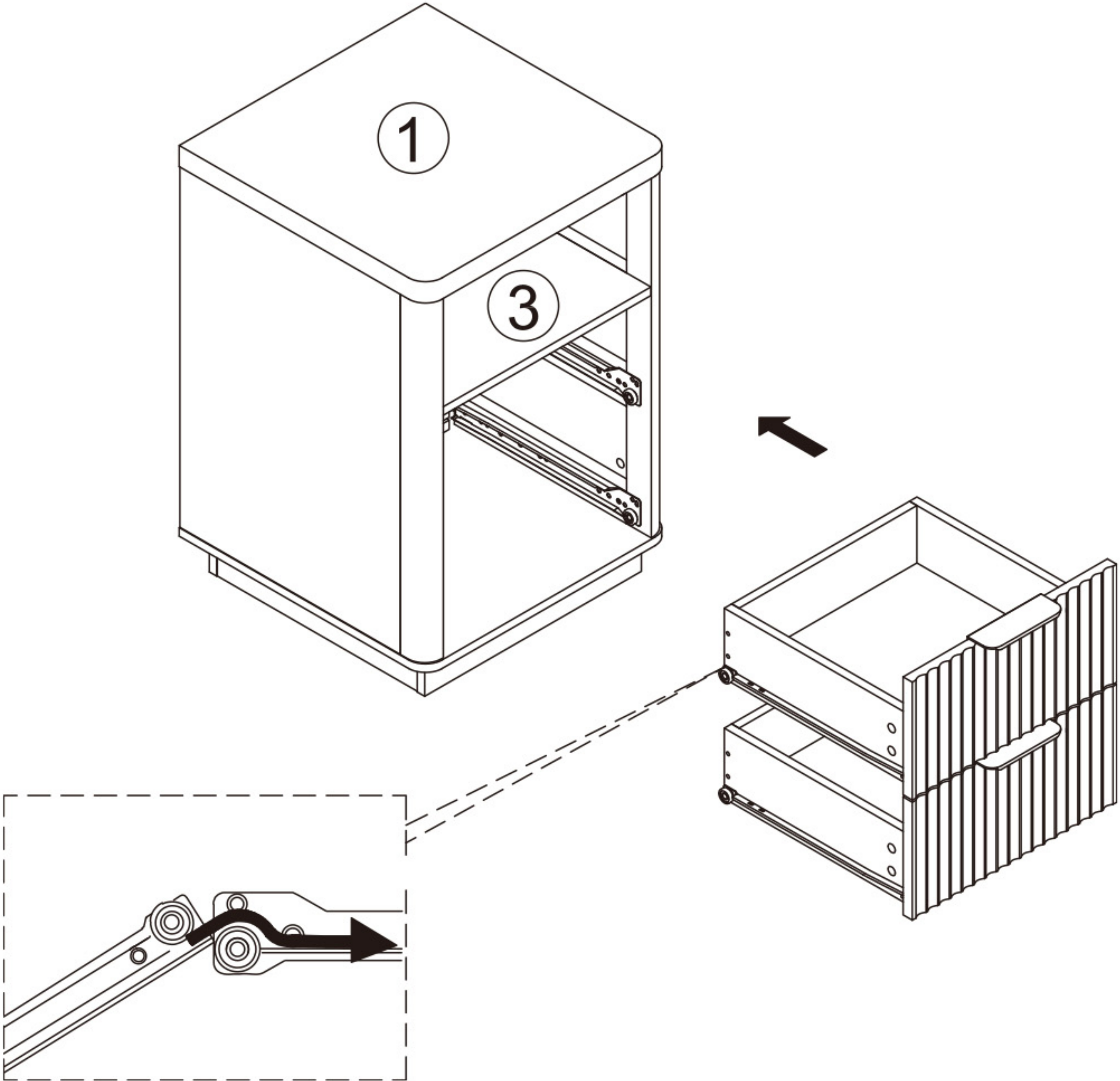
12



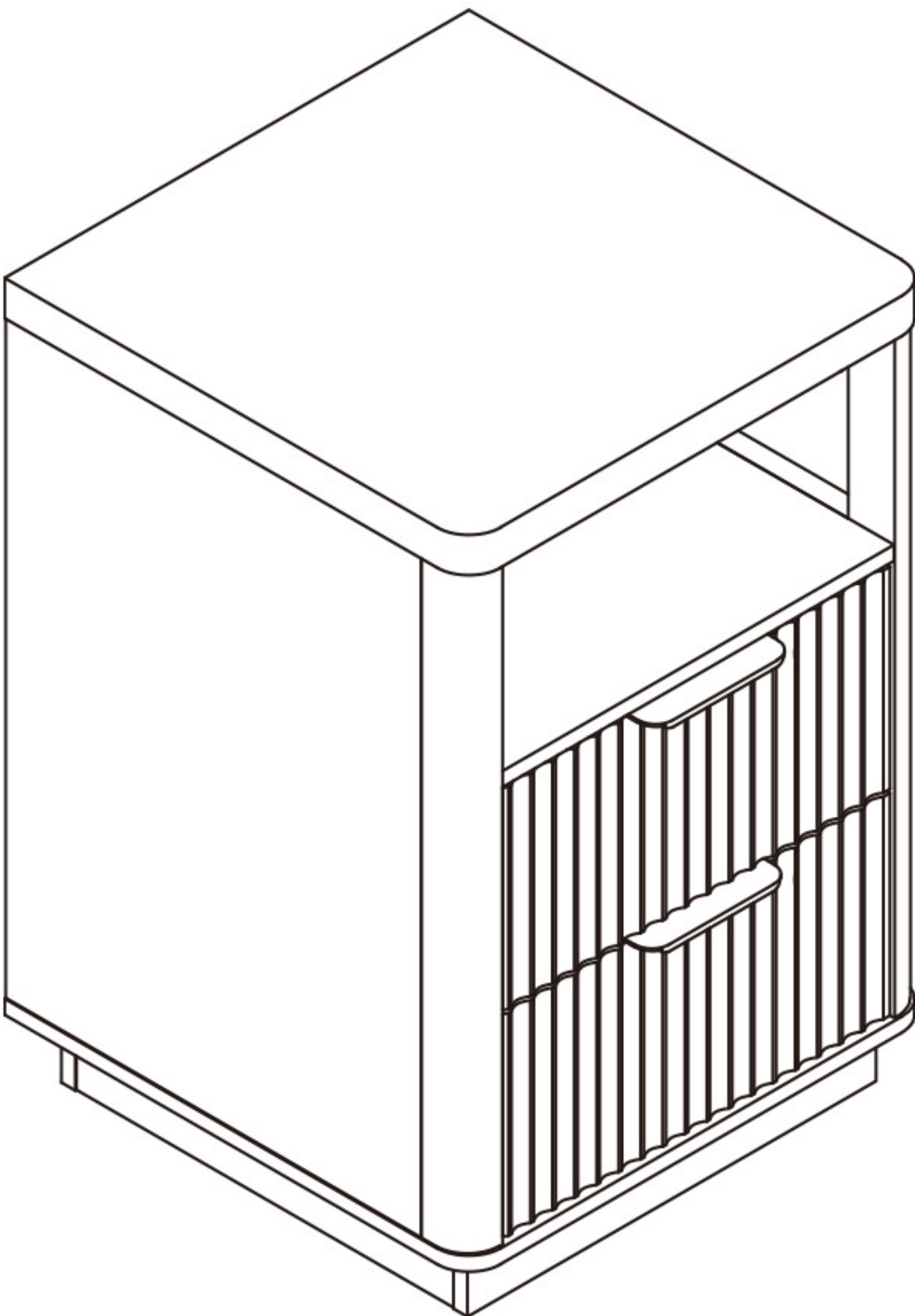
E		x4
H		x4

Assembly Steps

13



14



For after-sales support

If you encounter any issues.

Please contact us in the following ways:

1. Contact us via our email: patiochicservice@outlook.com
 2. Contact us via our phone: [+1 888-572-2312](tel:+18885722312)
-

working time: Monday to Friday:

EST(Eastern Standard Time) 9am-12am, 1pm-6pm

3. Go to Your Orders ☒ Click "Contact Seller" to describe the issue.