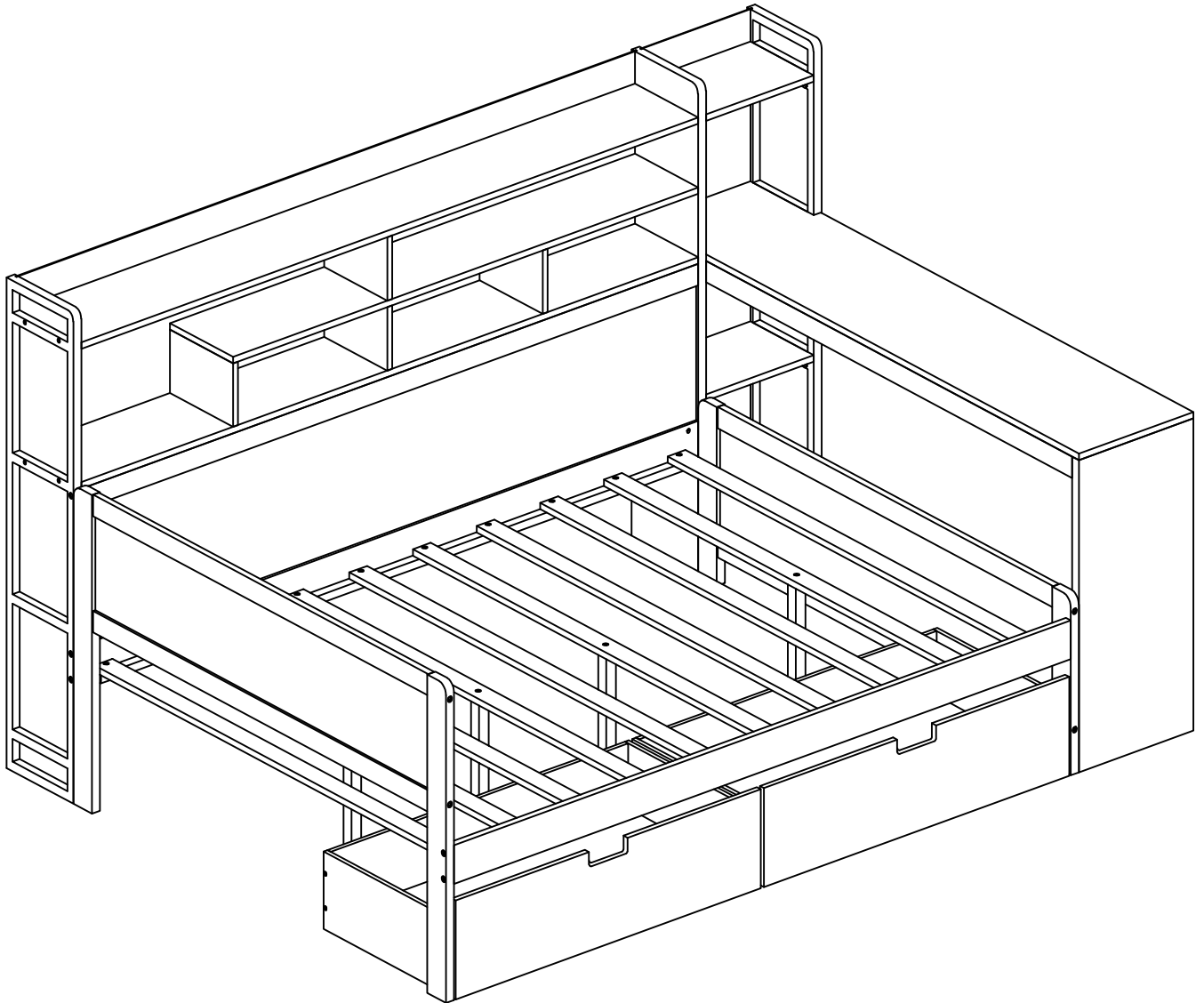
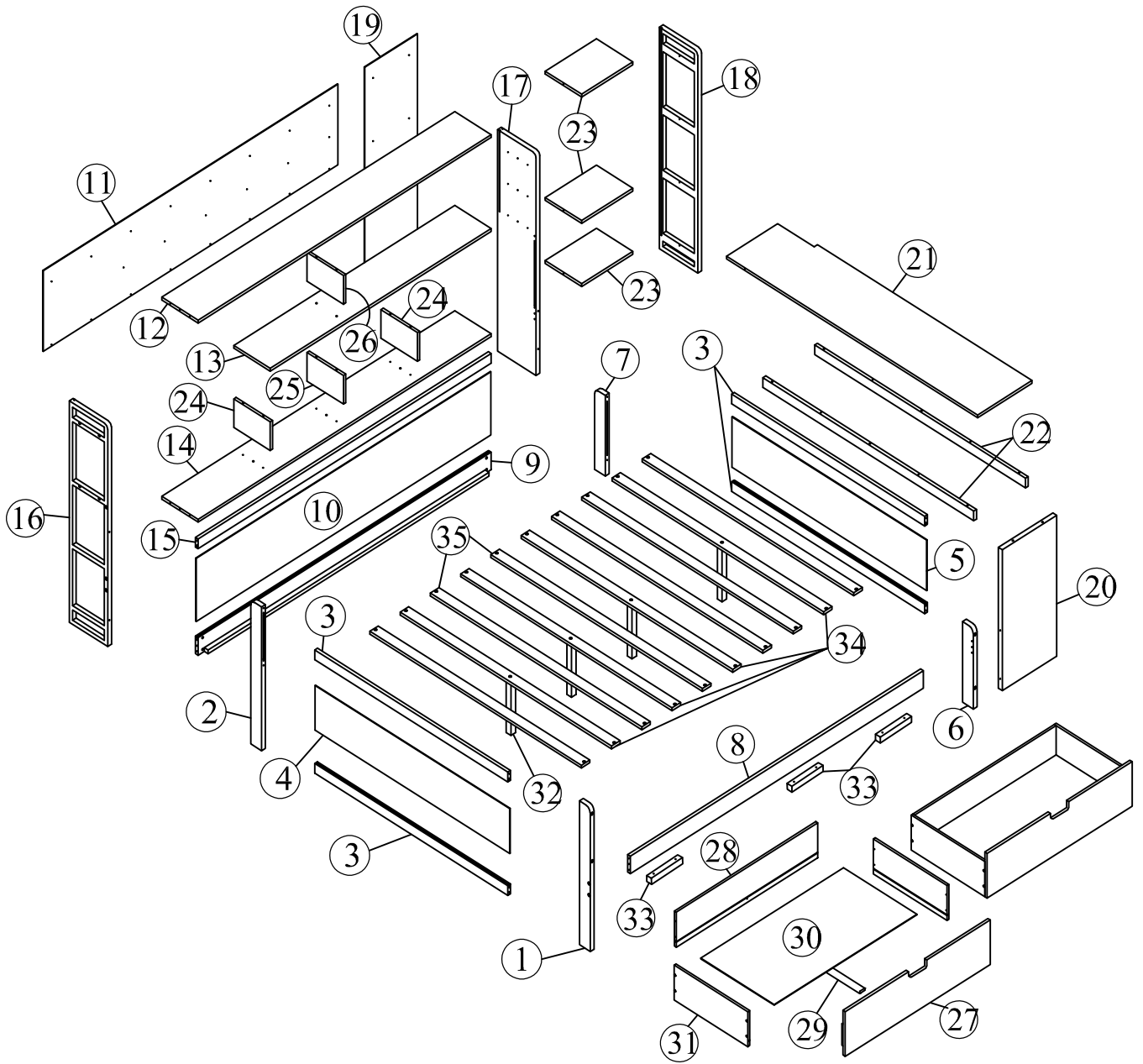



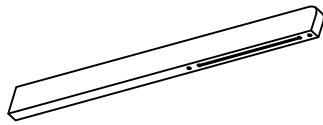
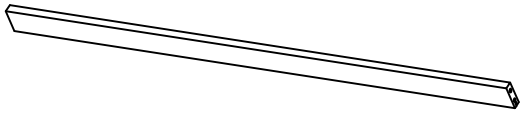

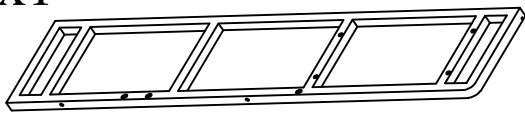
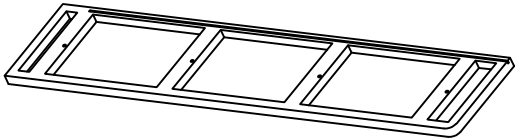
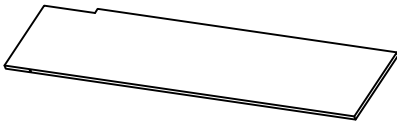
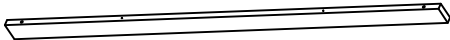
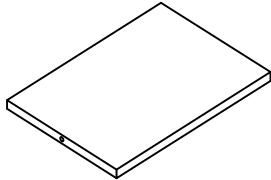
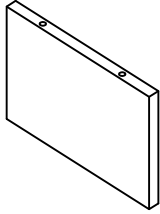
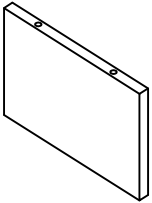
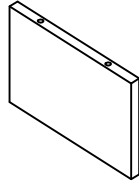
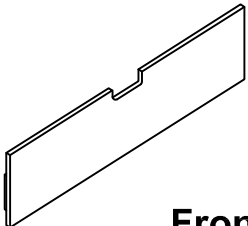
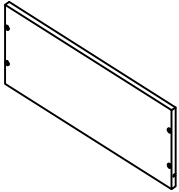
# ASSEMBLY INSTRUCTION



Detail:

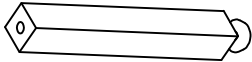


# Part List

<p>① x1</p>  <p><b>Front (left) Leg</b></p>	<p>② x1</p>  <p><b>Back (left) Leg</b></p>
<p>③ x4</p>  <p><b>Top guard</b></p>	<p>⑬ x1</p>  <p><b>Middle Shelf</b></p>
<p>⑯ x1</p>  <p><b>Side panel</b></p>	<p>⑱ x1</p>  <p><b>Side panel</b></p>
<p>⑳ x1</p>  <p><b>Top table</b></p>	<p>㉒ x2</p>  <p><b>Support table</b></p>
<p>㉓ x3</p>  <p><b>Small Shelf</b></p>	<p>㉔ x2</p>  <p><b>Partition board</b></p>
<p>㉕ x1</p>  <p><b>Partition board</b></p>	<p>㉖ x1</p>  <p><b>Partition board</b></p>
<p>㉗ x2</p>  <p><b>Front Drawers</b></p>	<p>㉛ x4</p>  <p><b>Side Drawers</b></p>

# Part List

32 x4



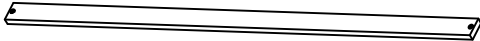
Support leg

34 x4



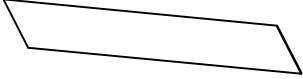
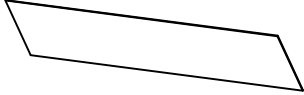




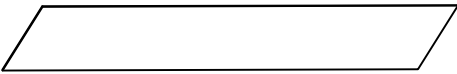
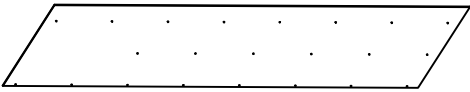

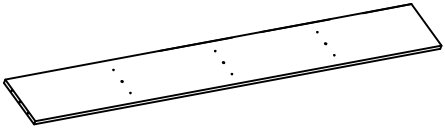
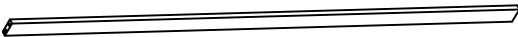

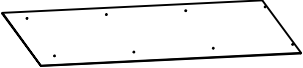
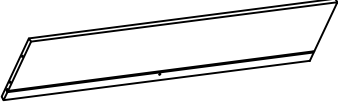
Slats

35 x6



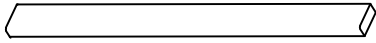
Slats

# Part List

<p>④ x1</p>  <p>Panel</p>	<p>⑤ x1</p>  <p>Panel</p>
<p>⑥ x1</p>  <p>Front (right) leg</p>	<p>⑦ x1</p>  <p>Back (right) leg</p>
<p>⑧ x1</p>  <p>Side rail</p>	<p>⑨ x1</p>  <p>Side rail</p>
<p>⑩ x1</p>  <p>Panel</p>	<p>⑪ x1</p>  <p>Back panel</p>
<p>⑫ x1</p>  <p>Top shelf</p>	<p>⑭ x1</p>  <p>Bottom shelf</p>
<p>⑮ x1</p>  <p>Top wood bar with groove</p>	<p>⑰ x1</p>  <p>Side panel</p>
<p>⑲ x1</p>  <p>Back panel</p>	<p>⑳ x2</p>  <p>Back Drawers</p>

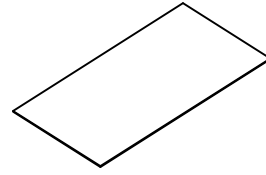
# Part List

29 x2



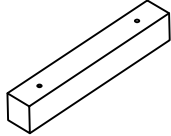
Support Drawers

30 x2



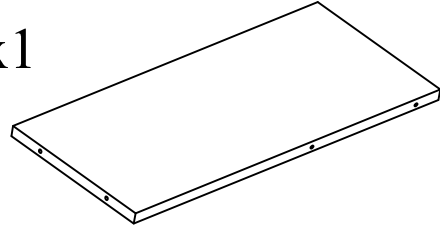
Bottom Drawers

33 x3







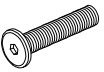
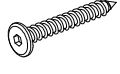


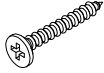
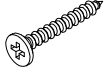
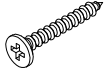
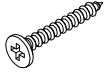




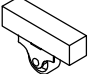

Wood bar

20 x1

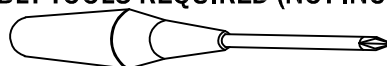


Side table

## Hardware List

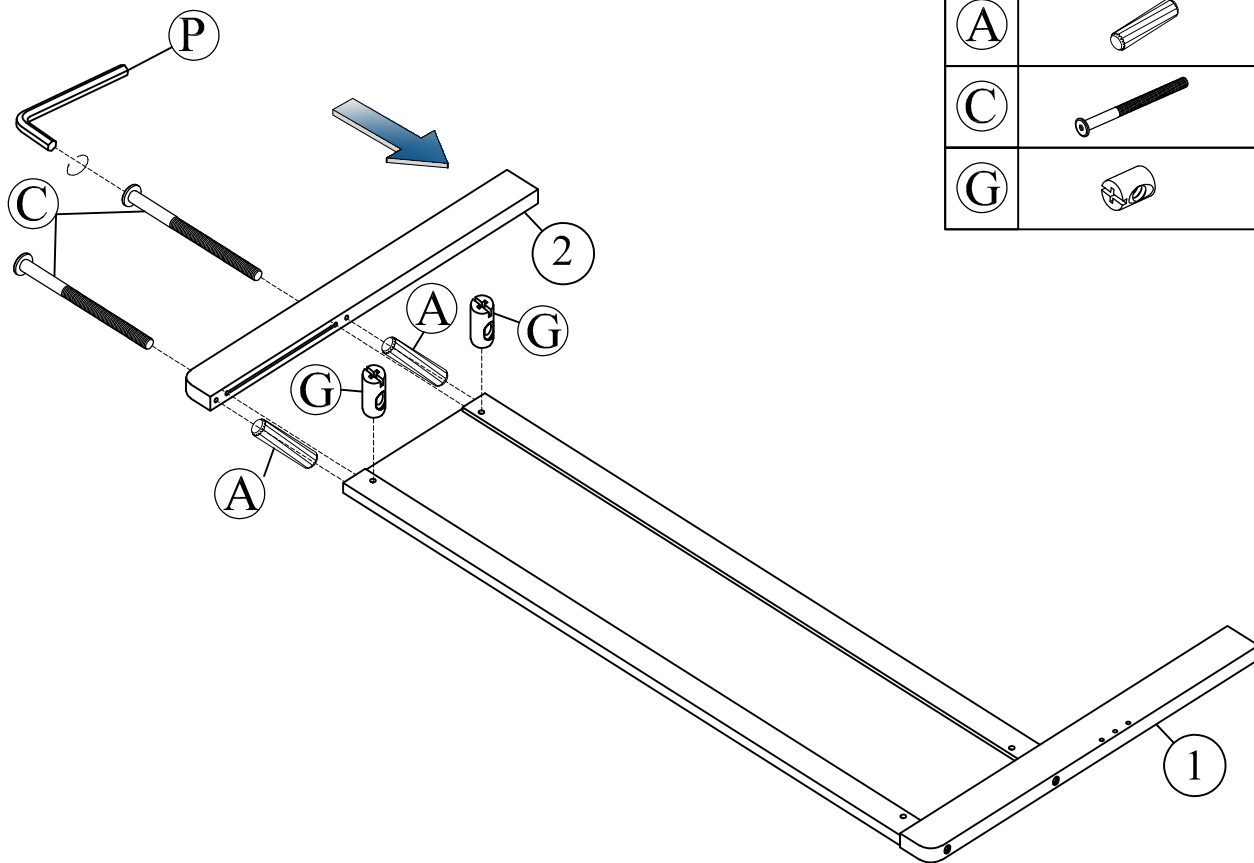
No.	OUTLOOK	DESC	QTY
(A)		Dowel Ø8*30mm	40pcs
(B)		Dowel Ø8*55mm	2pcs
(C)		Bolts M6*110mm	8pcs
(D)		Bolts M6*70mm	10pcs
(E)		Bolts M6*30mm	4pcs
(F)		Bolts M6*35mm	6pcs
(G)		Cross dowel M6*13mm	18pcs
(H)		Cross dowel Ø10*10mm	16pcs
(I)		Flat head screw #8*60mm	20pcs
(J)		Flat head screw #8*20mm	16pcs
(K)		Flat head screw #8*30mm	20pcs
(L)		Flat head screw #8*25mm	24pcs
(M)		Flat head screw #7*12mm	54pcs
(N)		Round head screw #8*15mm	30pcs
(O)		Pat L	27pcs
(P)		Allen key 60*22*4mm	1pc
(Q)		Wheels	8pcs
(Y)		Dowel Ø8*45mm	2pcs

ASSEMBLY TOOLS REQUIRED (NOT INCLUDED)



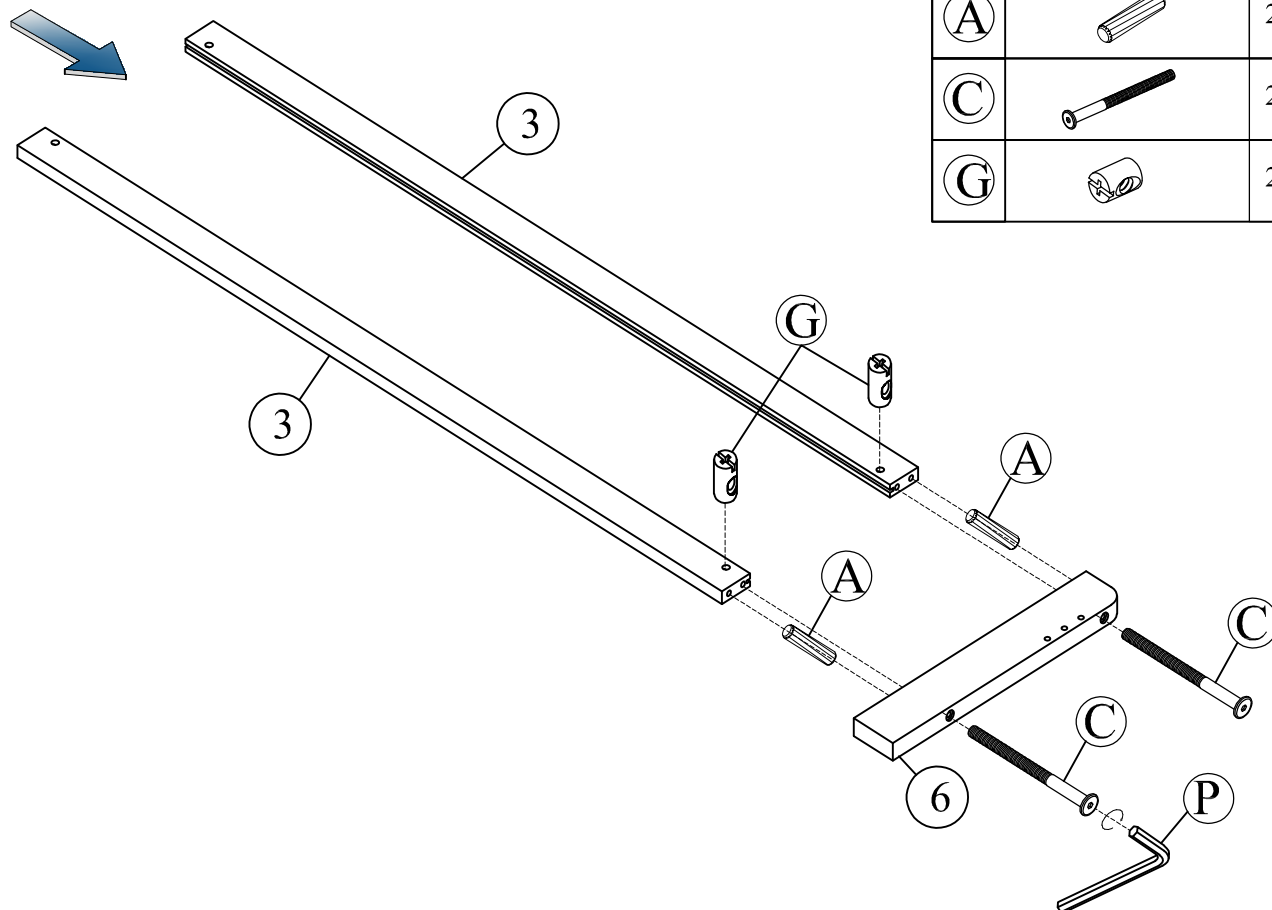


**STEP 3:**



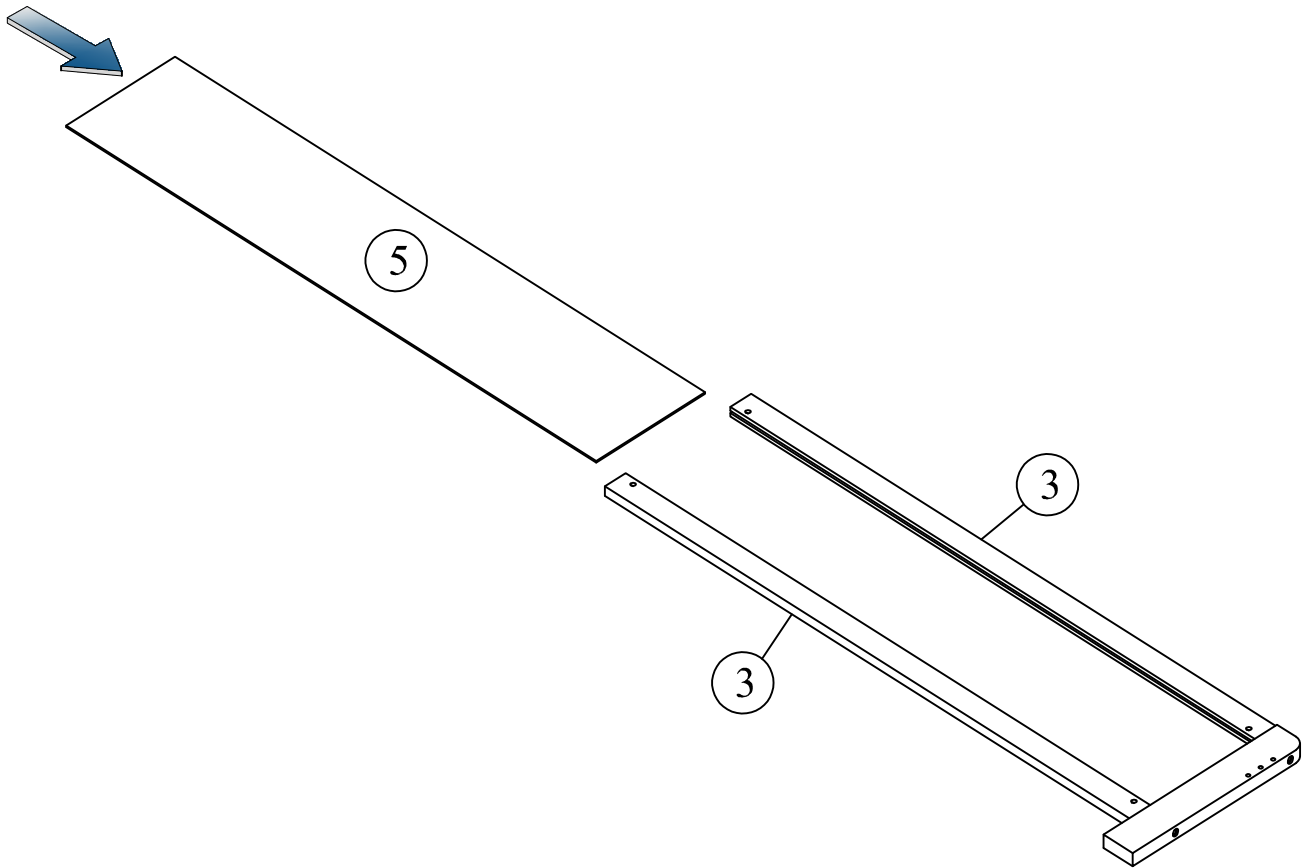
(P)		1pc
(A)		2pcs
(C)		2pcs
(G)		2pcs

**STEP 4:**

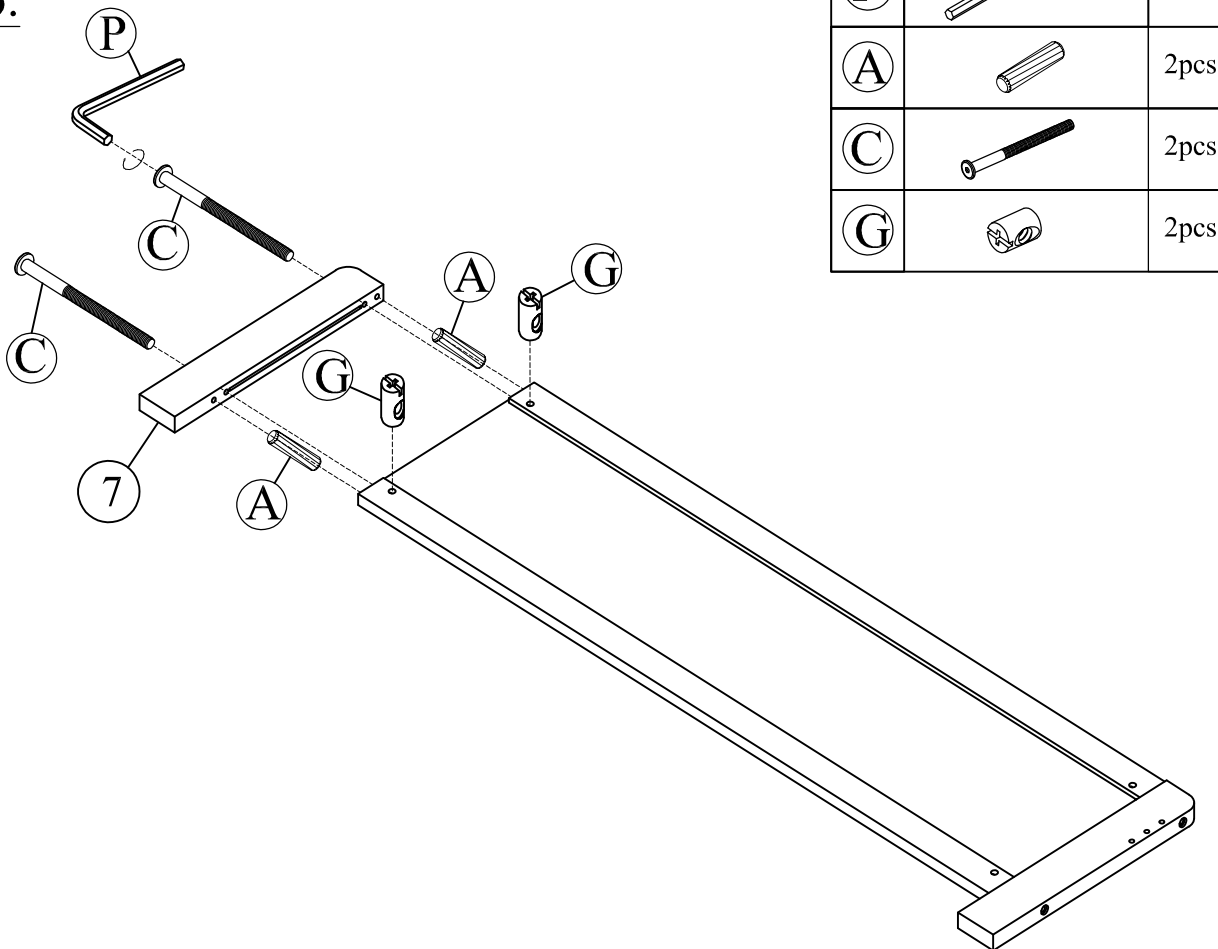


(P)		1pc
(A)		2pcs
(C)		2pcs
(G)		2pcs

**STEP 5:**

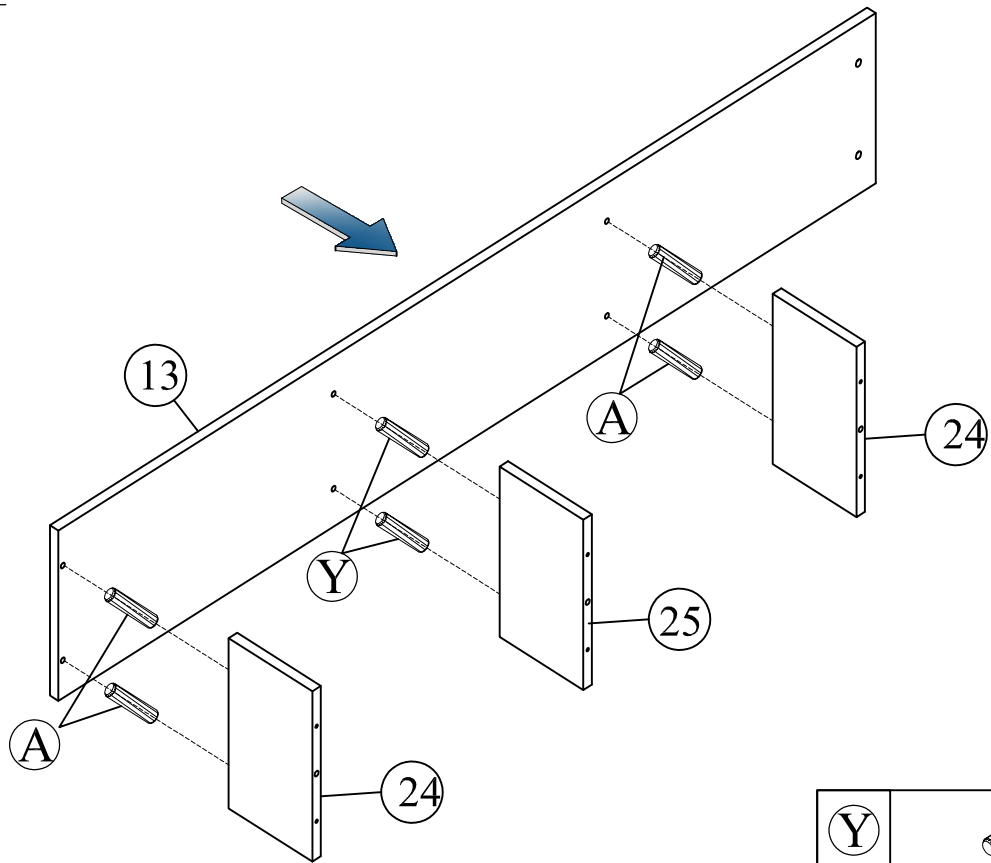


**STEP 6:**



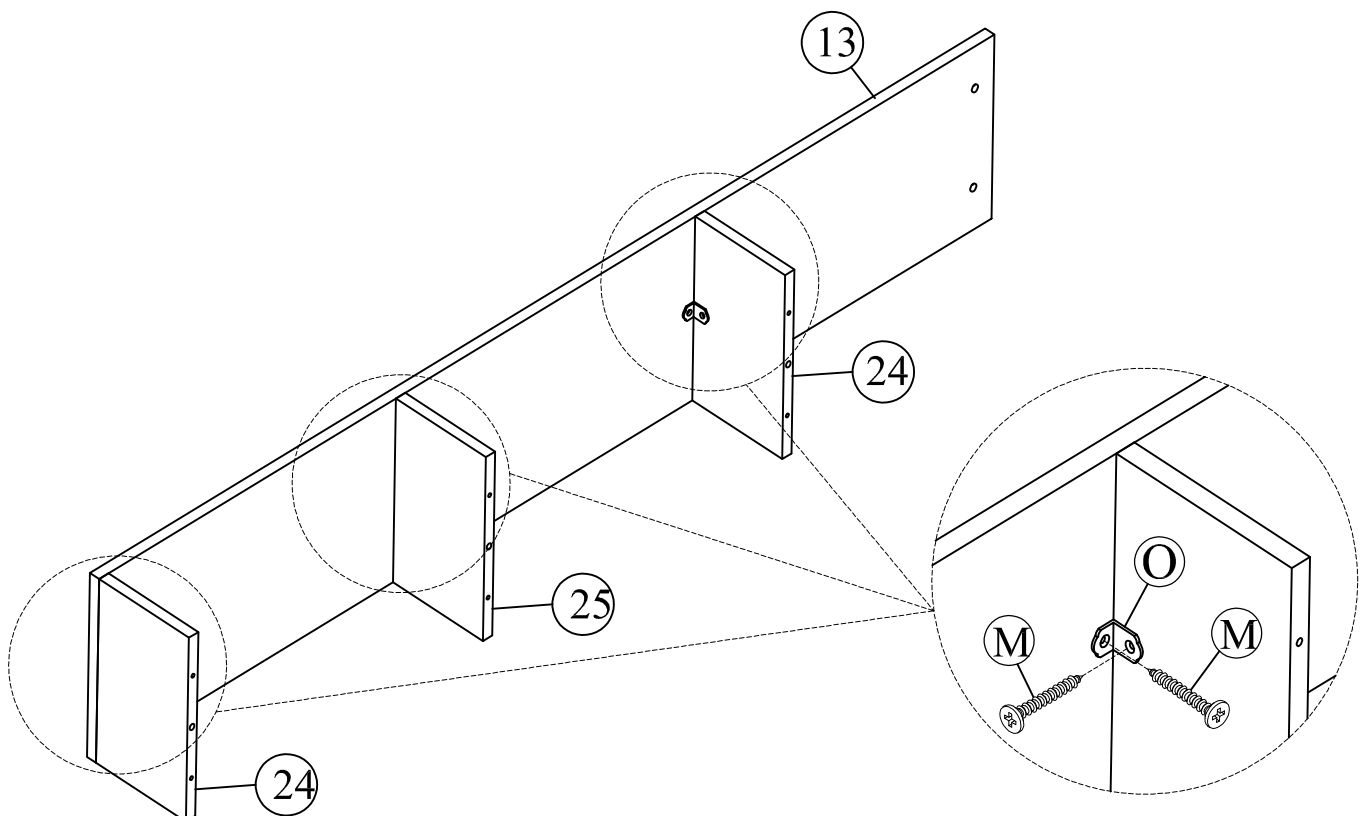
(P)		1pc
(A)		2pcs
(C)		2pcs
(G)		2pcs

**STEP 7:**

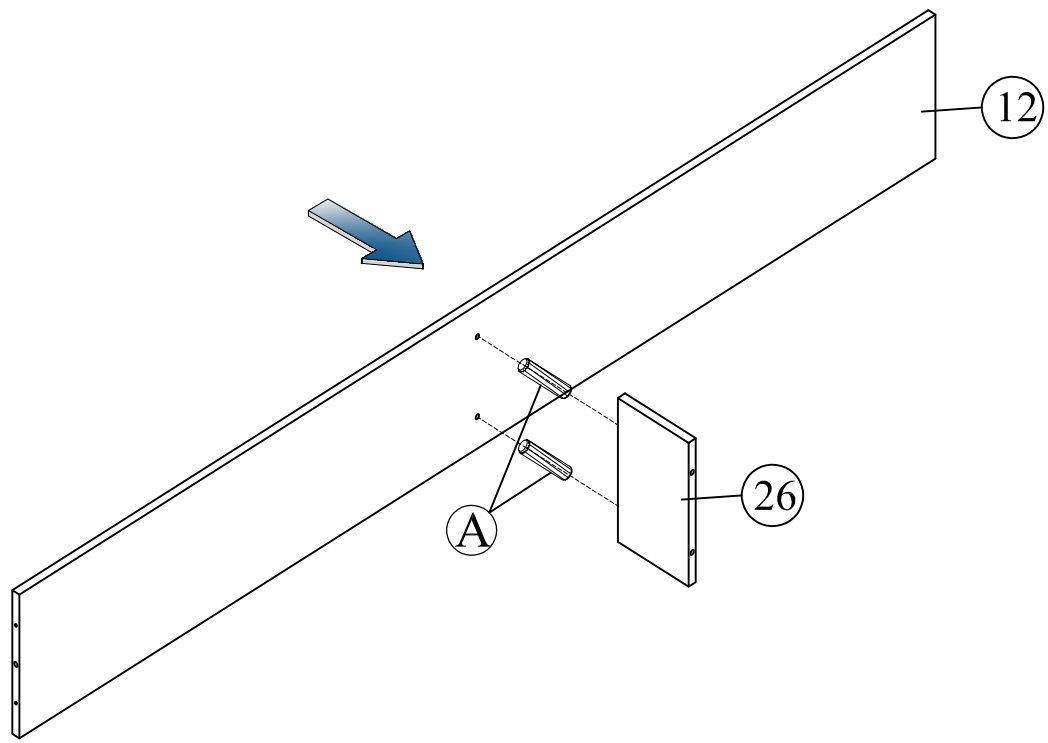


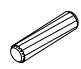
(Y)		2pcs
(A)		4pcs
(O)		3pcs
(M)		6pcs

**STEP 8:**

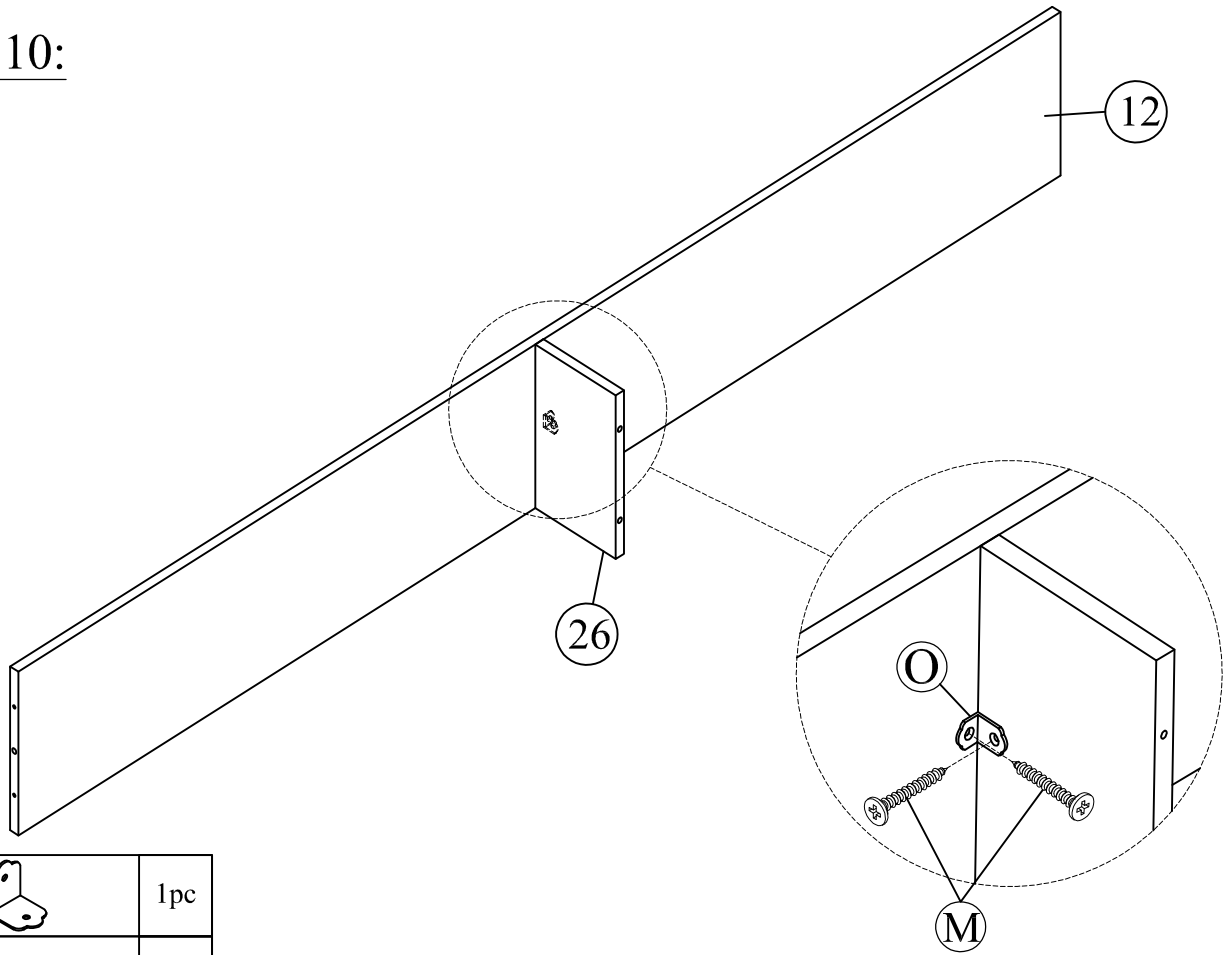



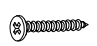
STEP 9:



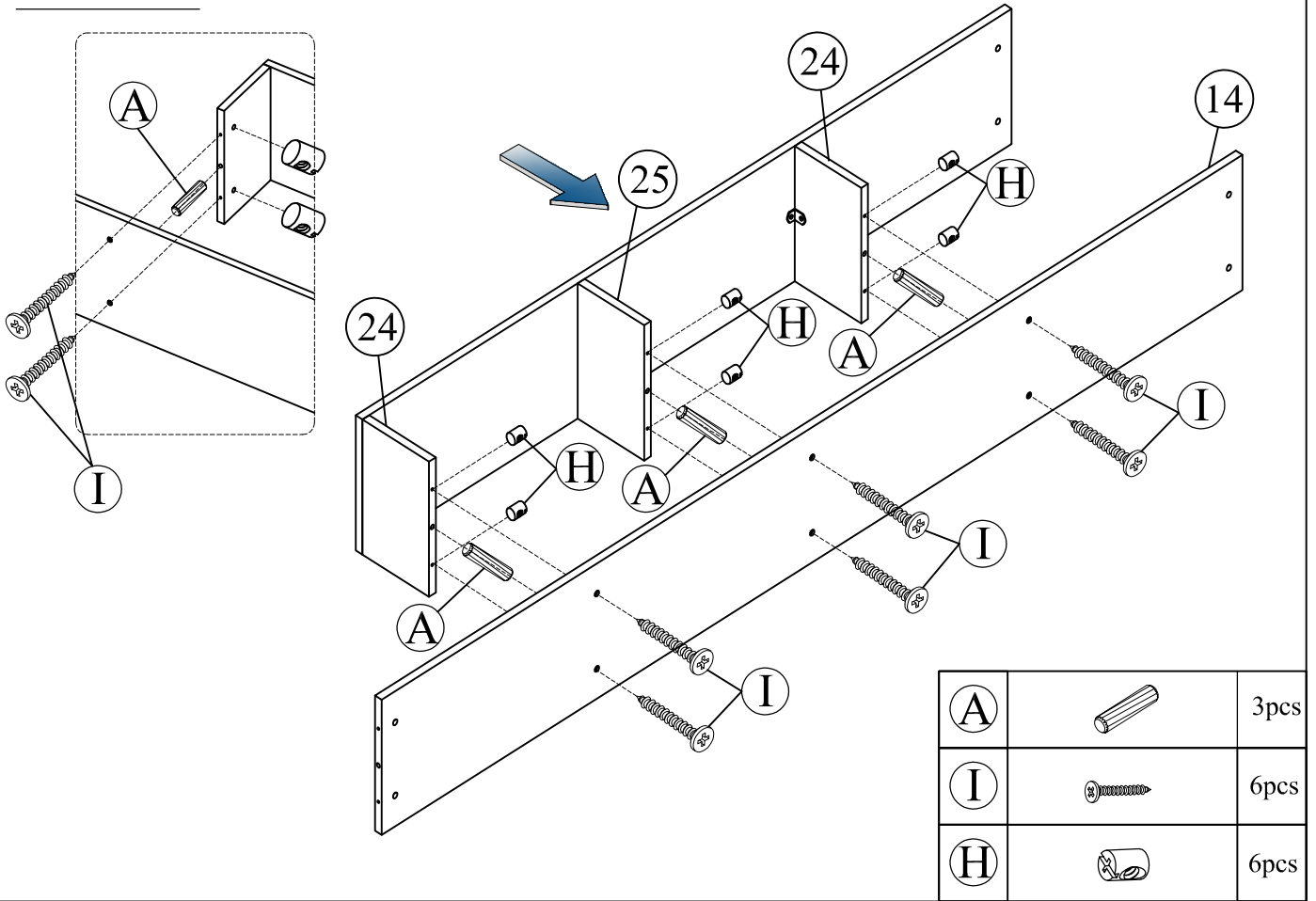
(A)		2pcs
-----	---	------

STEP 10:

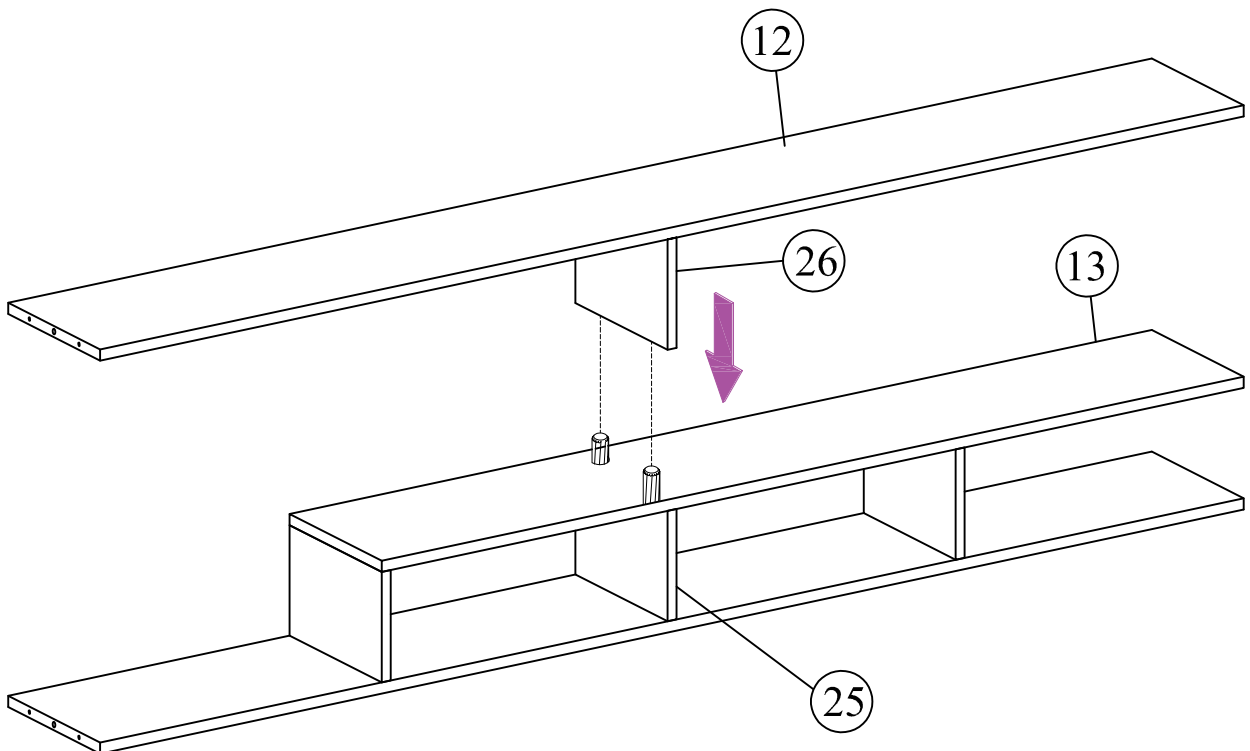


(O)		1pc
(M)		2pcs

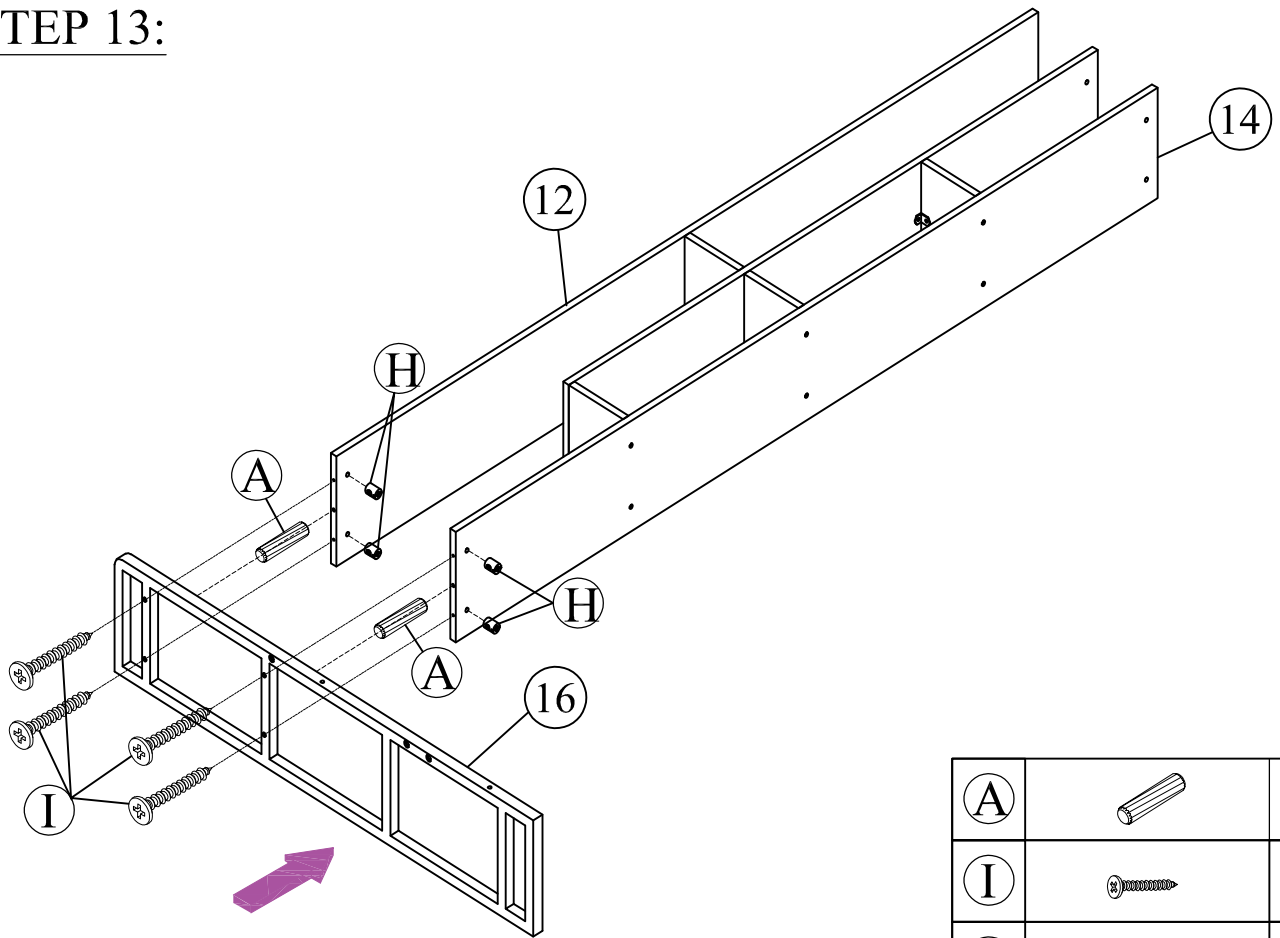
**STEP 11:**



**STEP 12:**

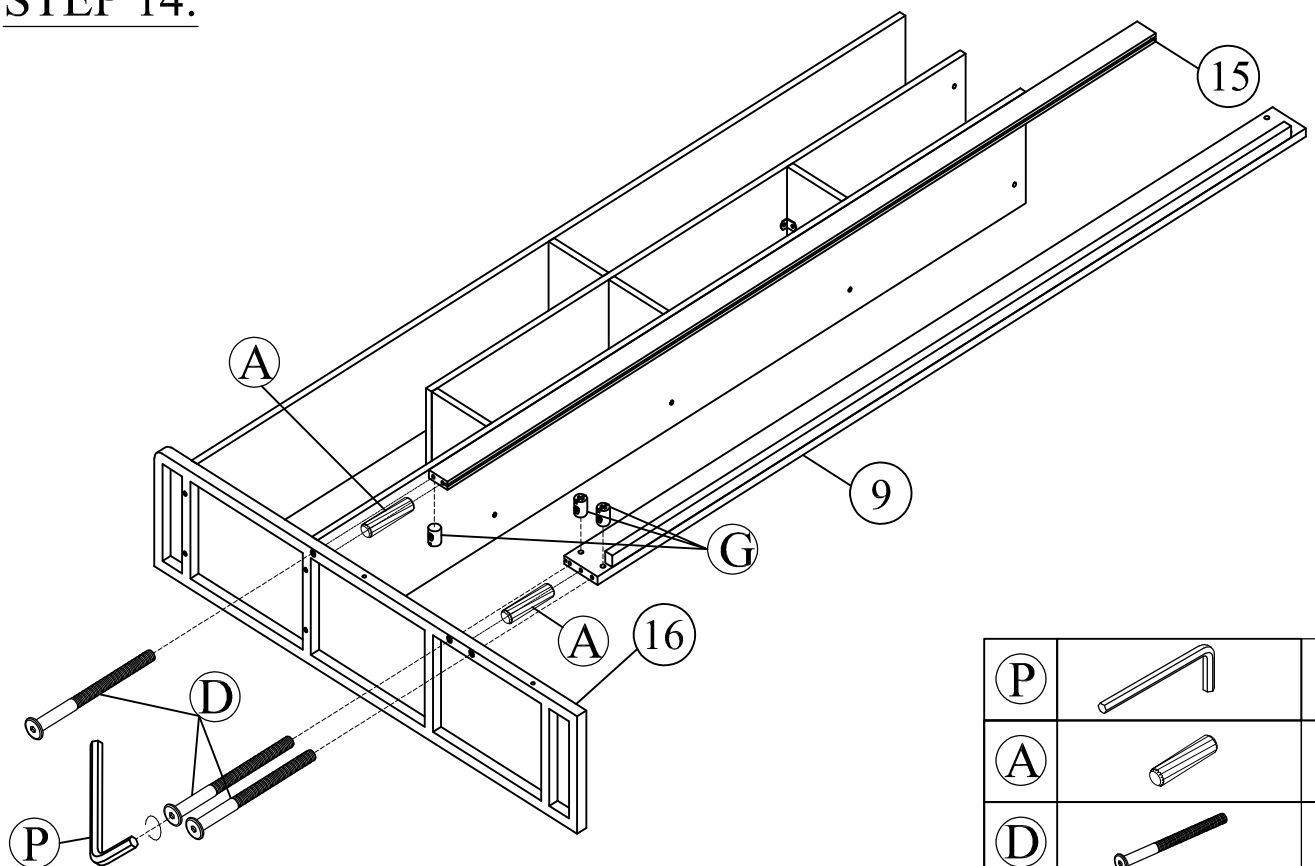


### STEP 13:



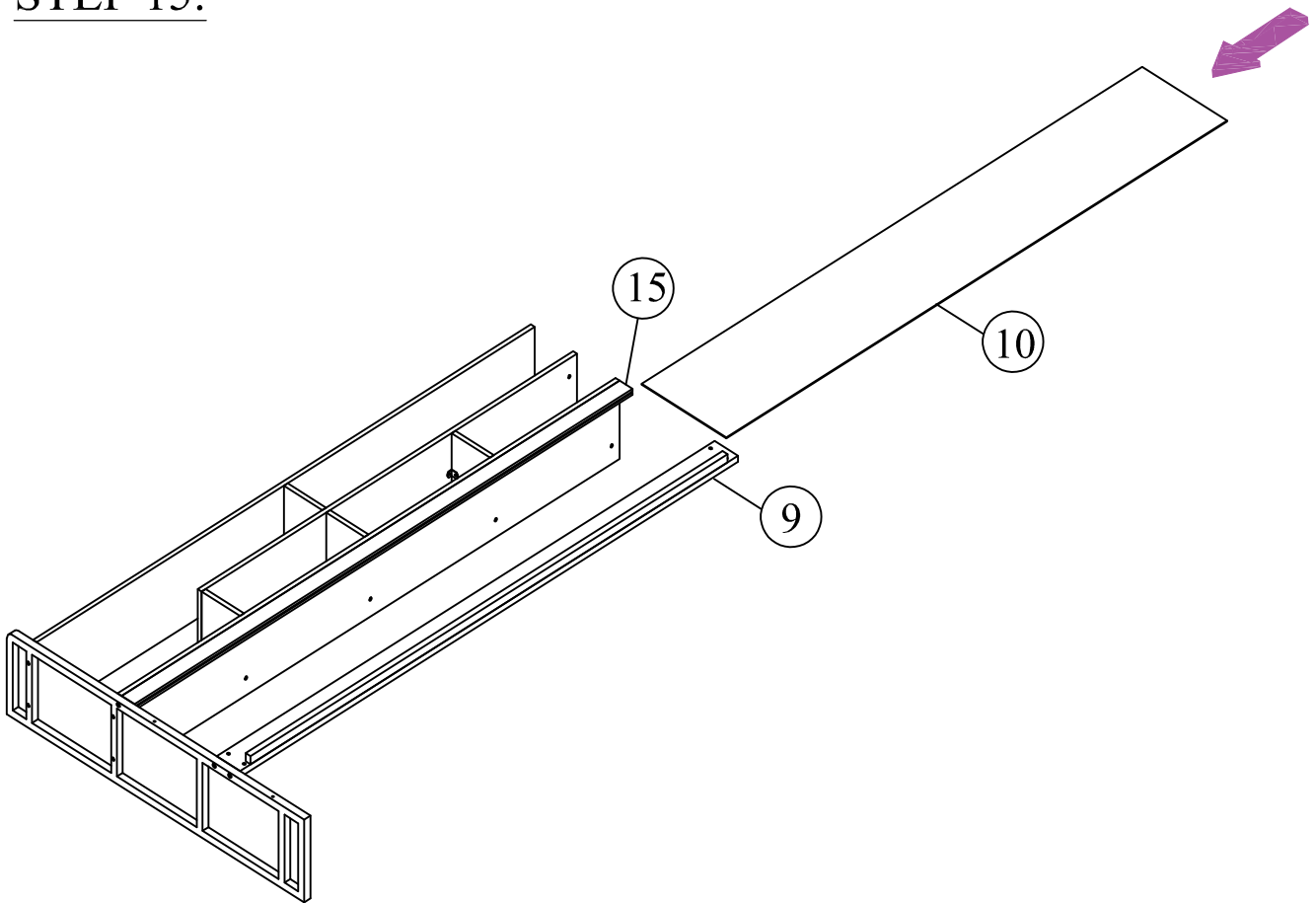
(A)		2pcs
(I)		4pcs
(H)		4pcs

### STEP 14:

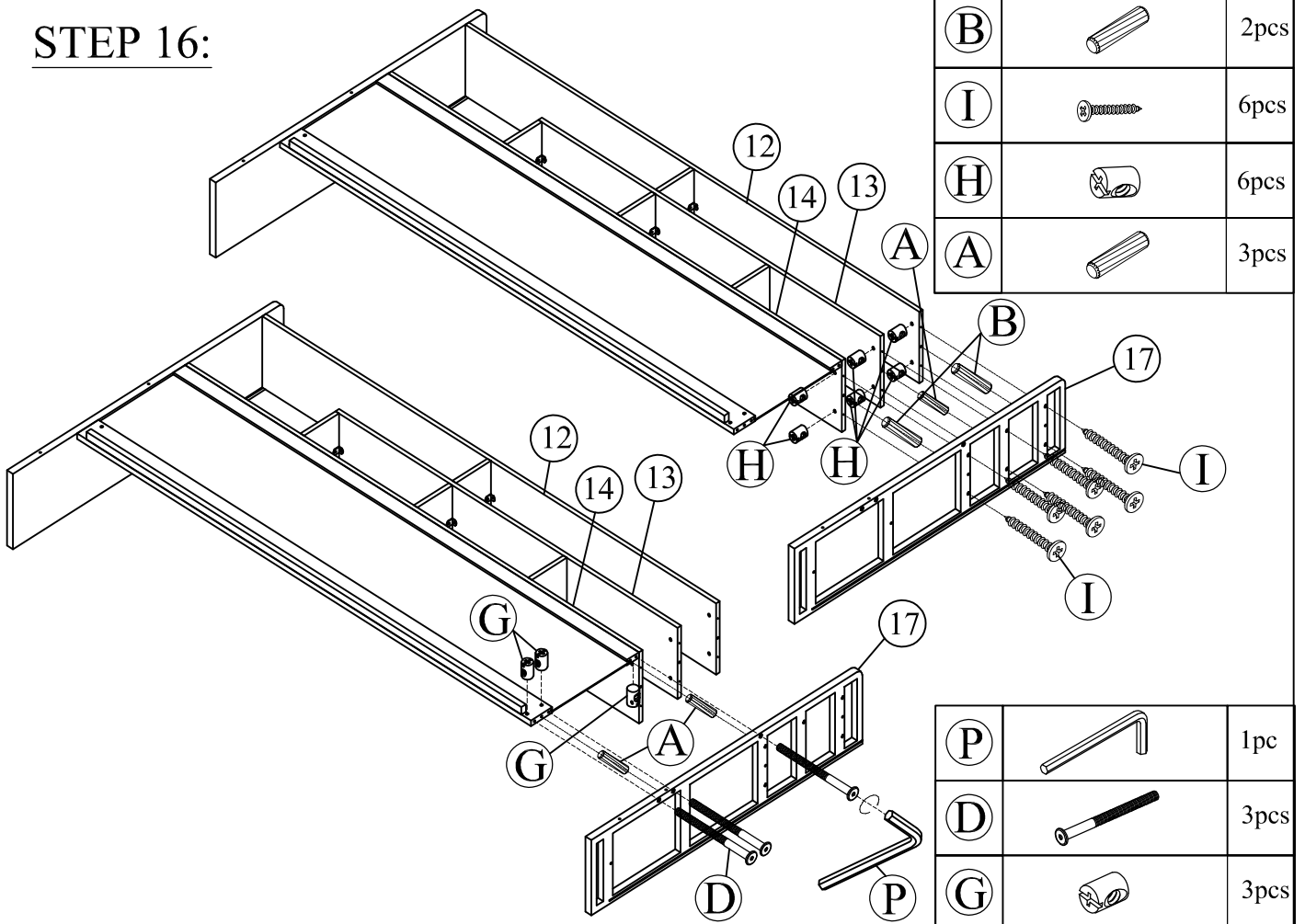


(P)		1pc
(A)		2pcs
(D)		3pcs
(G)		3pcs

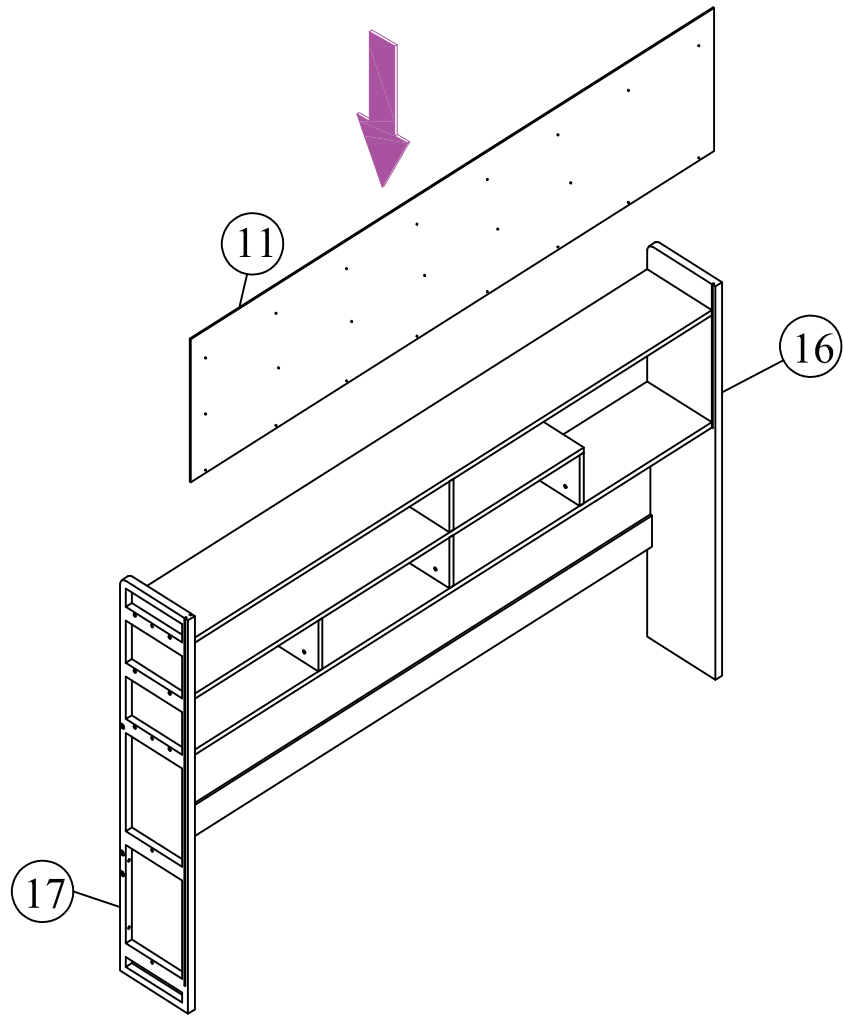
**STEP 15:**



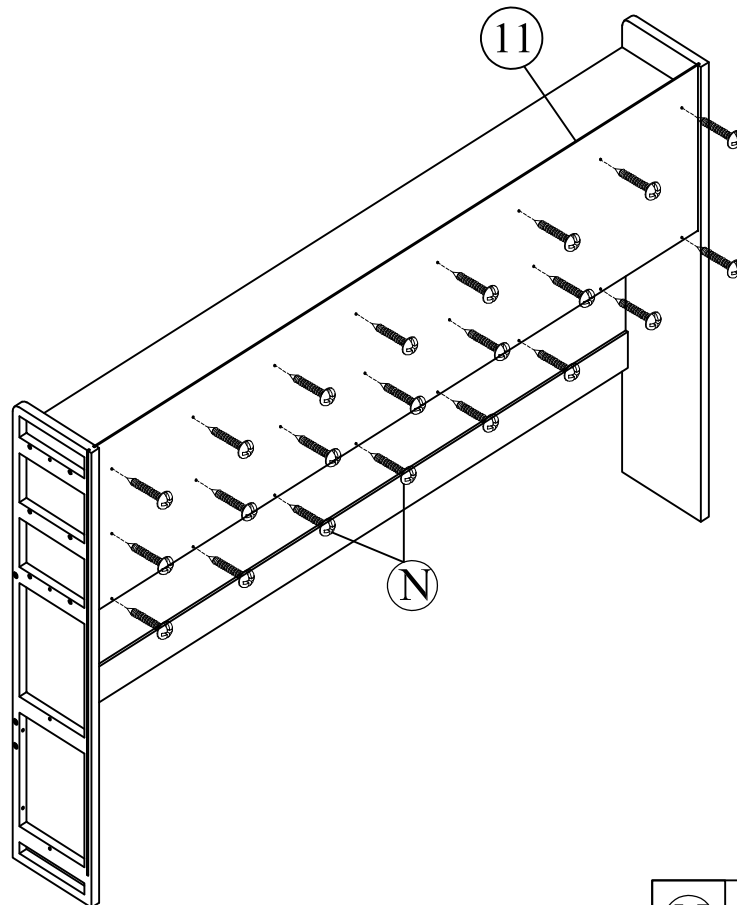
**STEP 16:**




STEP 17:

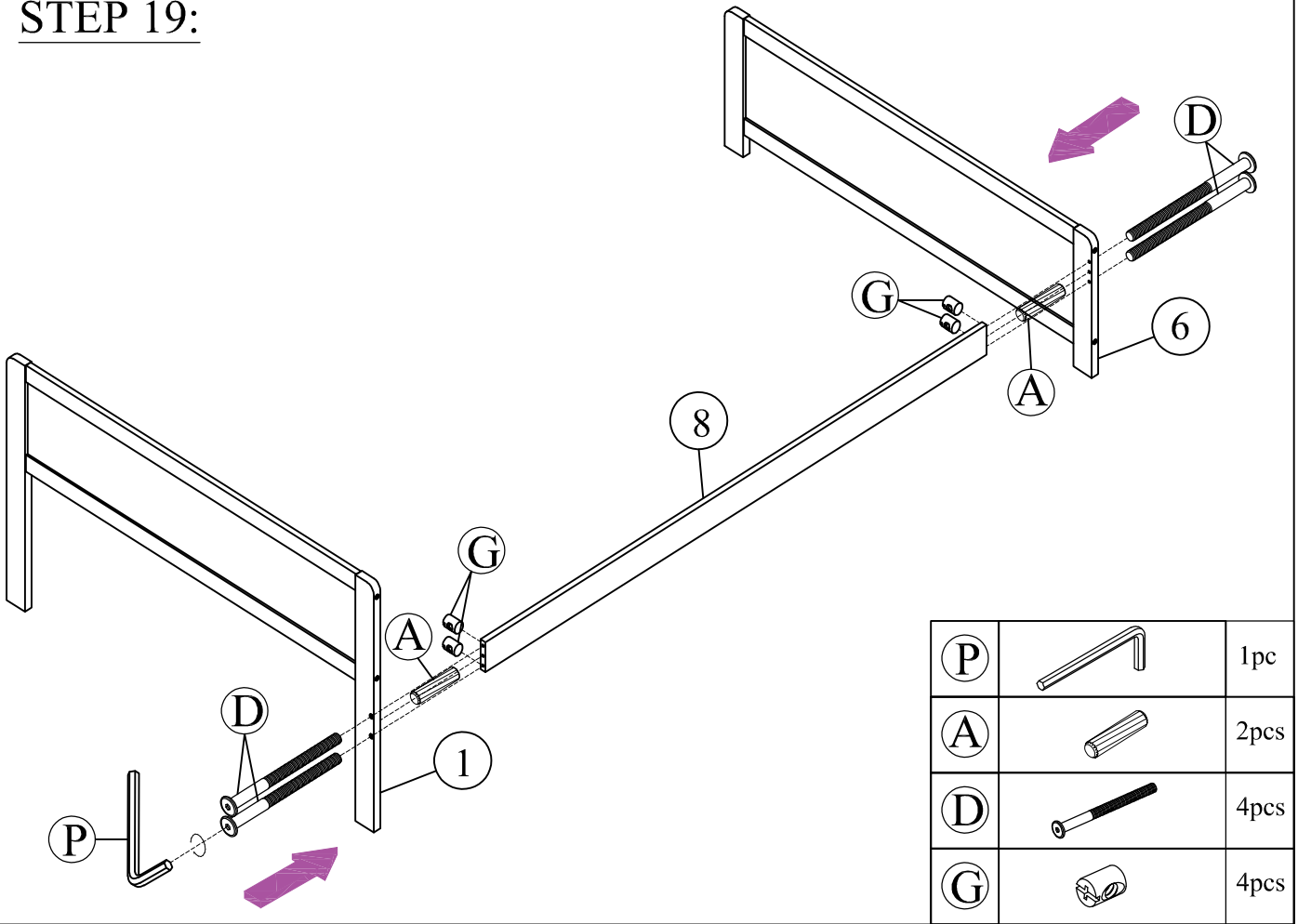


STEP 18:

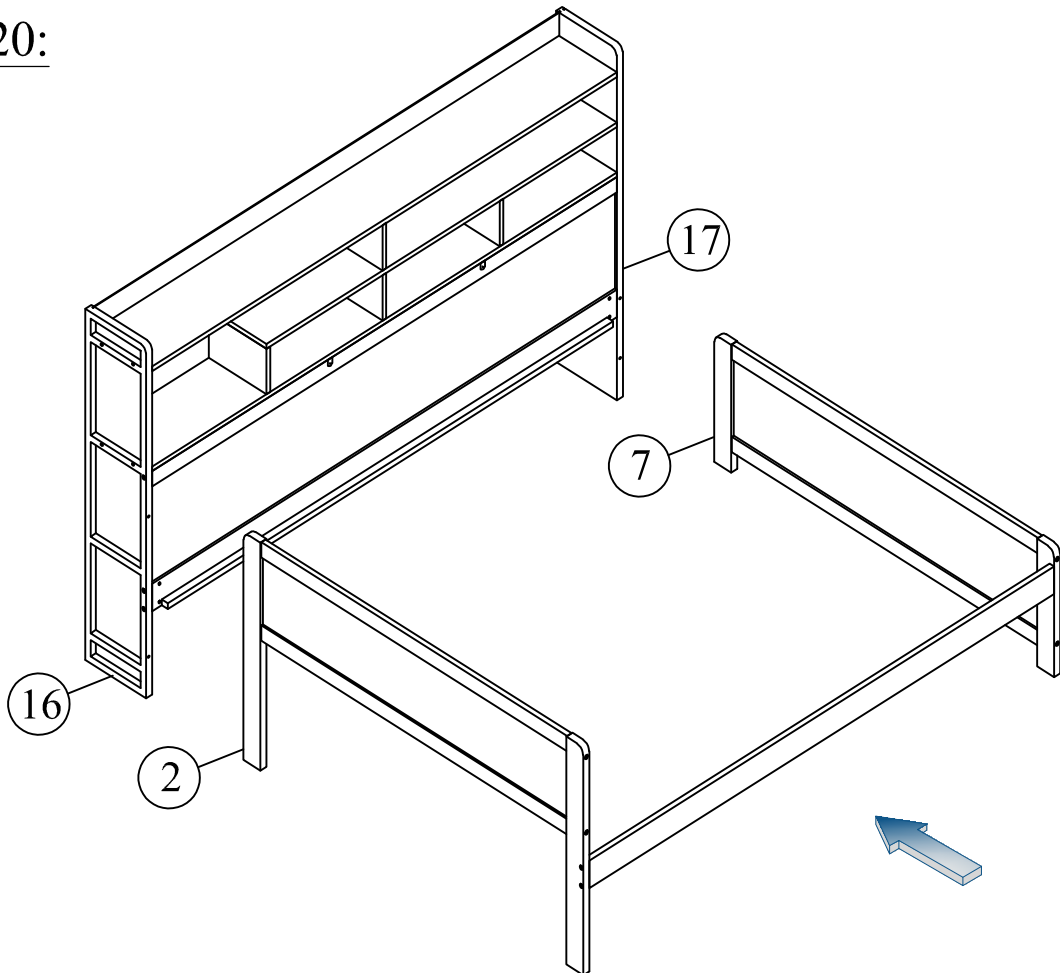


N		22pcs
---	---	-------

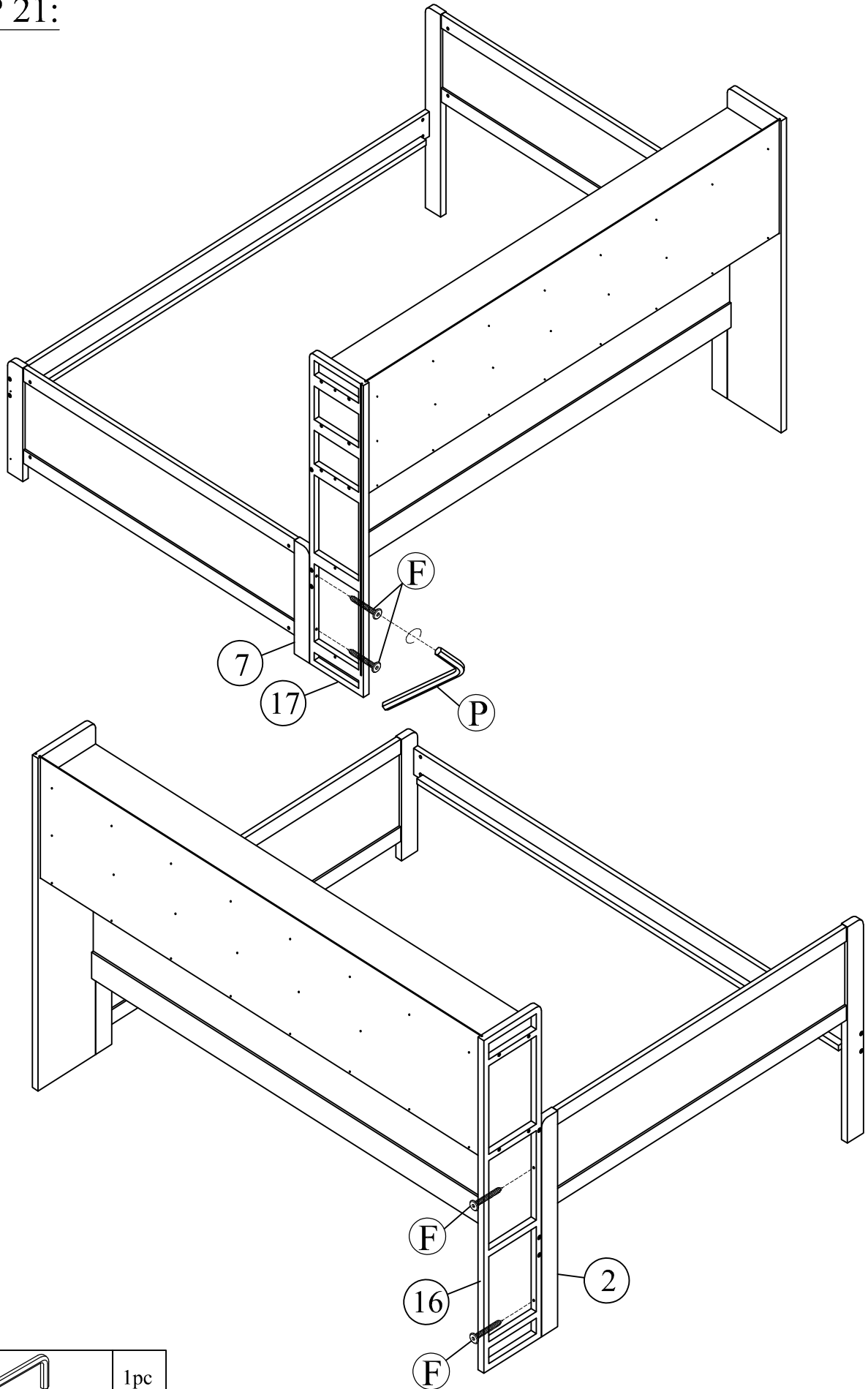
**STEP 19:**


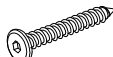


**STEP 20:**


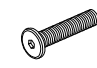



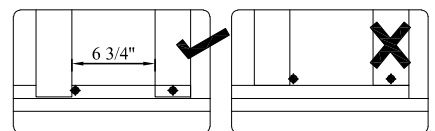
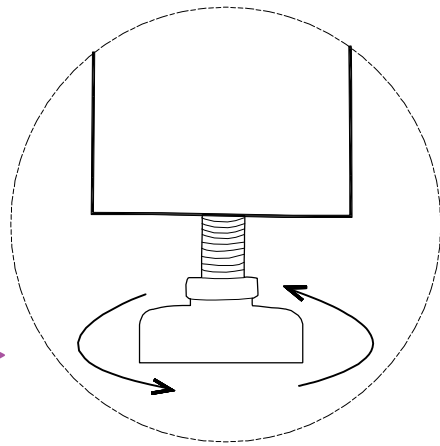
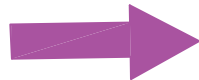
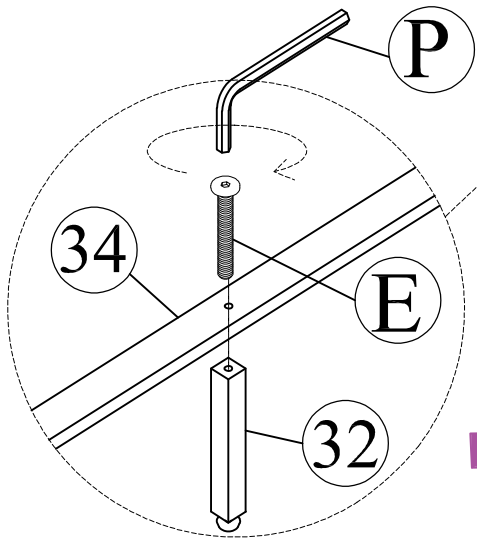
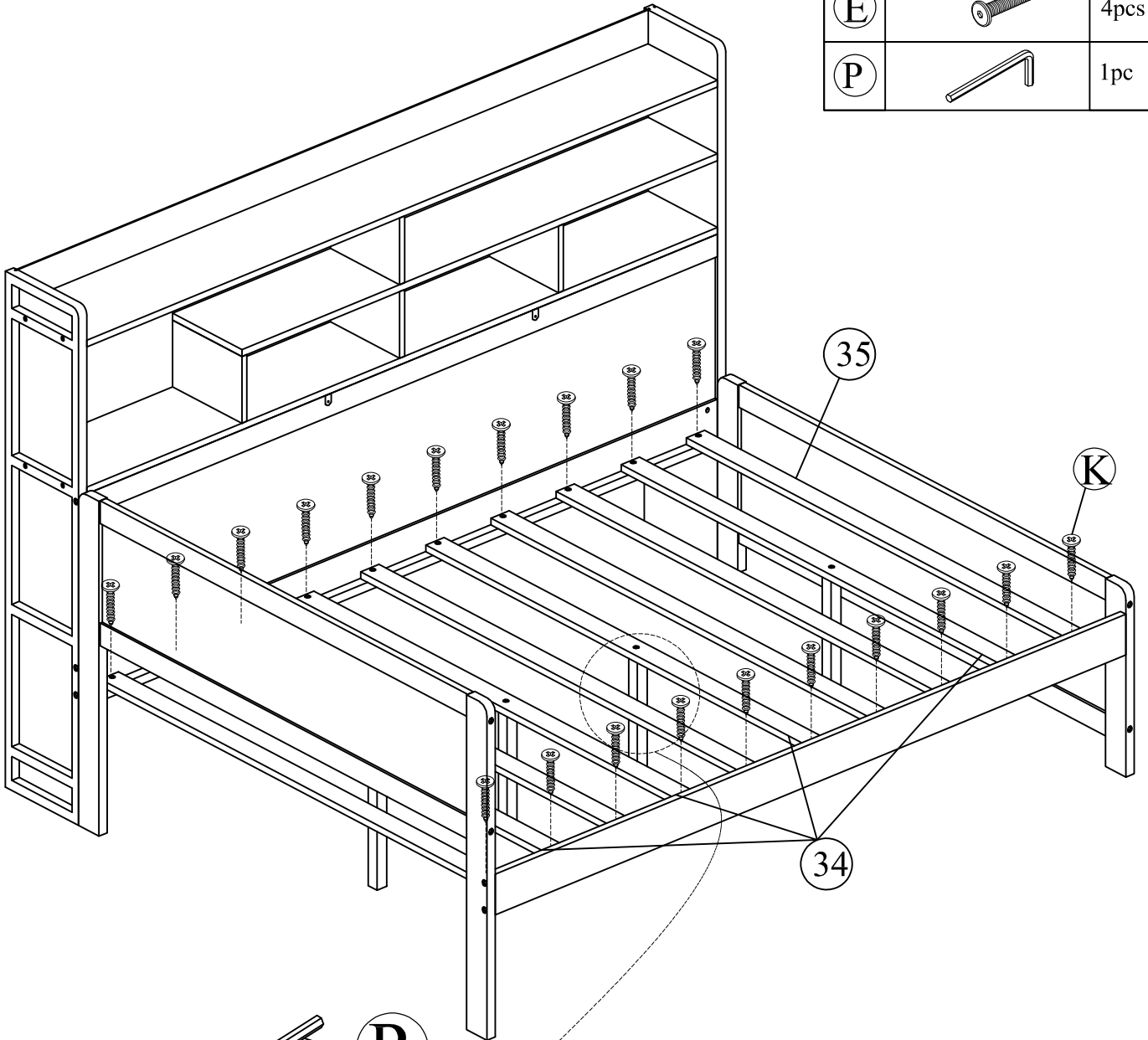
**STEP 21:**



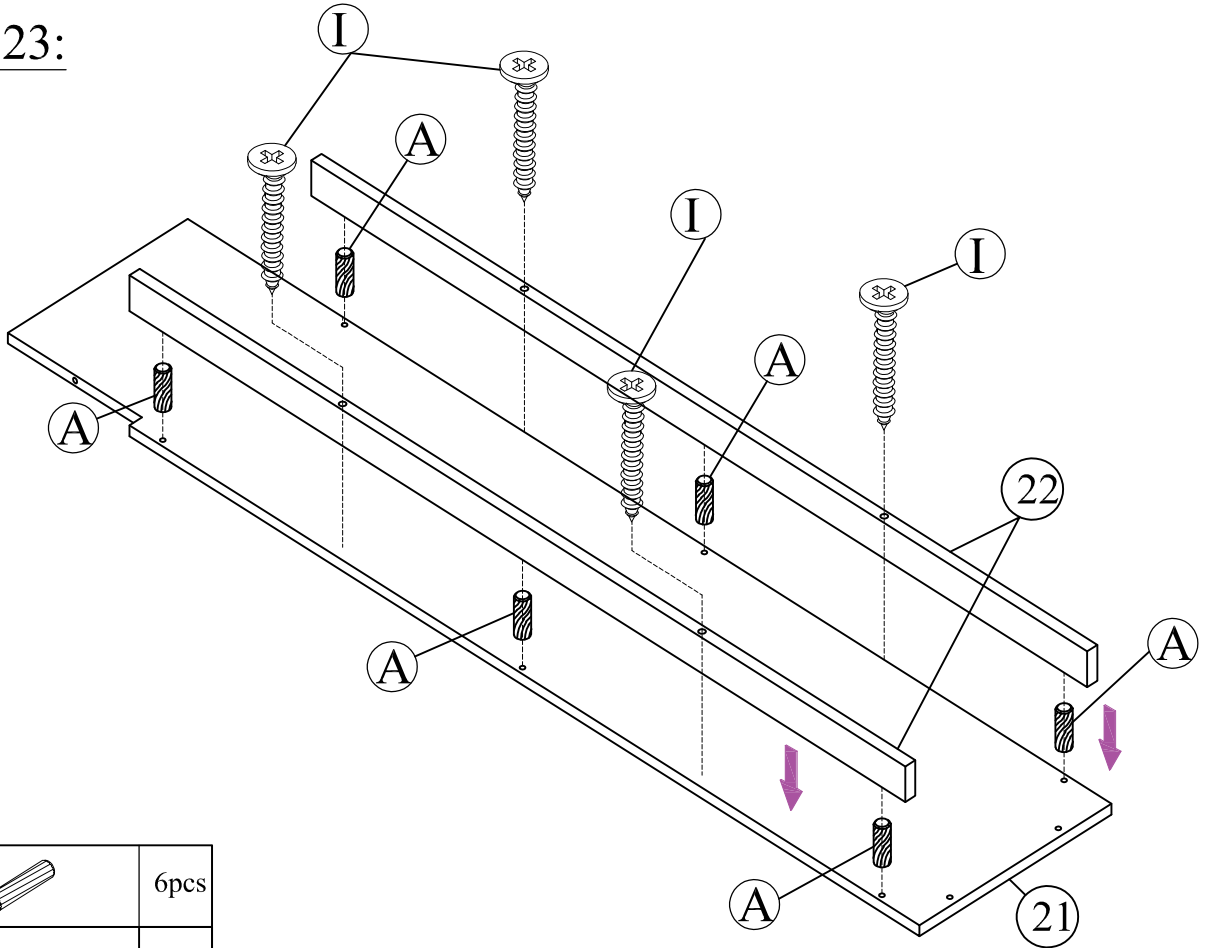
<b>P</b>		1pc
<b>F</b>		4pcs

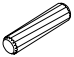
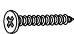
# STEP 22:

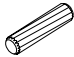
(K)		20pcs
(E)		4pcs
(P)		1pc



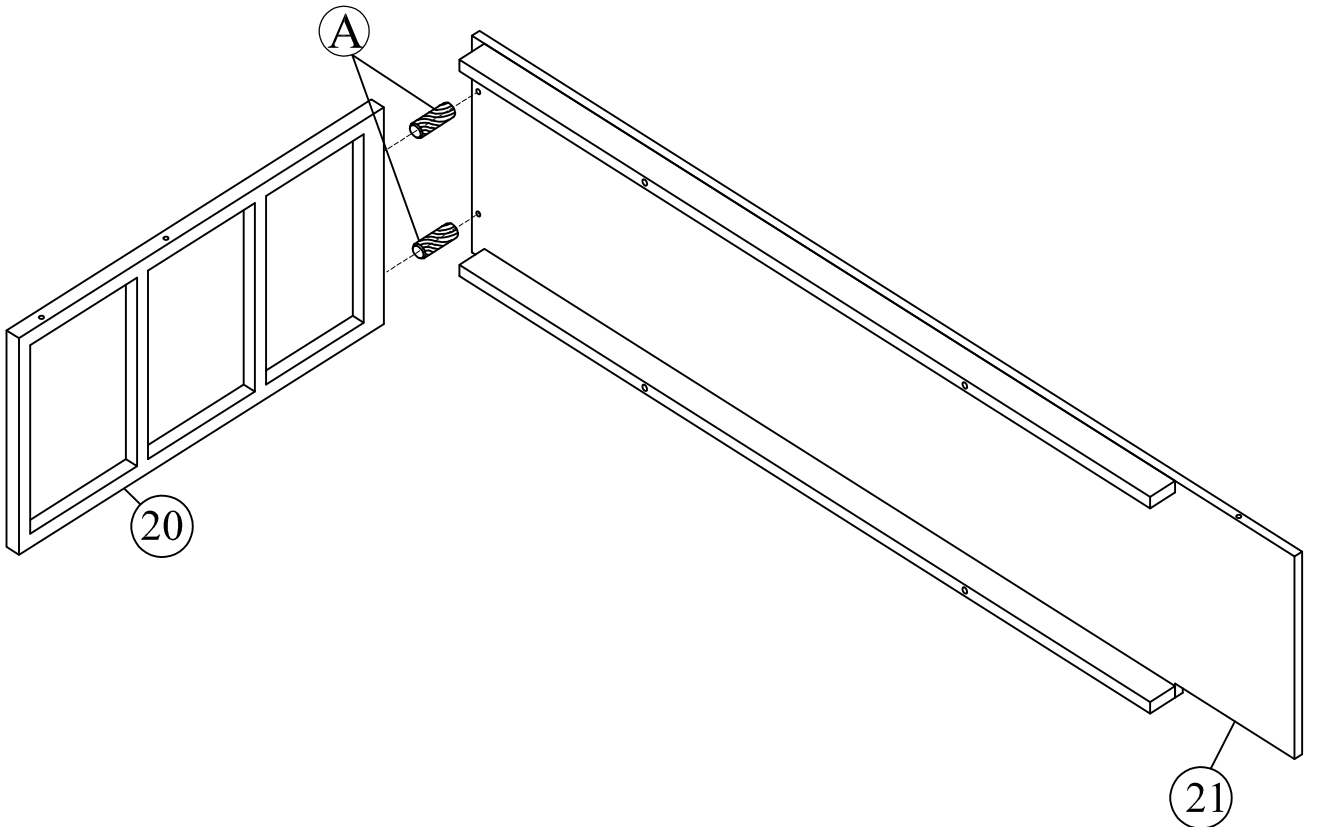
**STEP 23:**





A		6pcs
I		4pcs

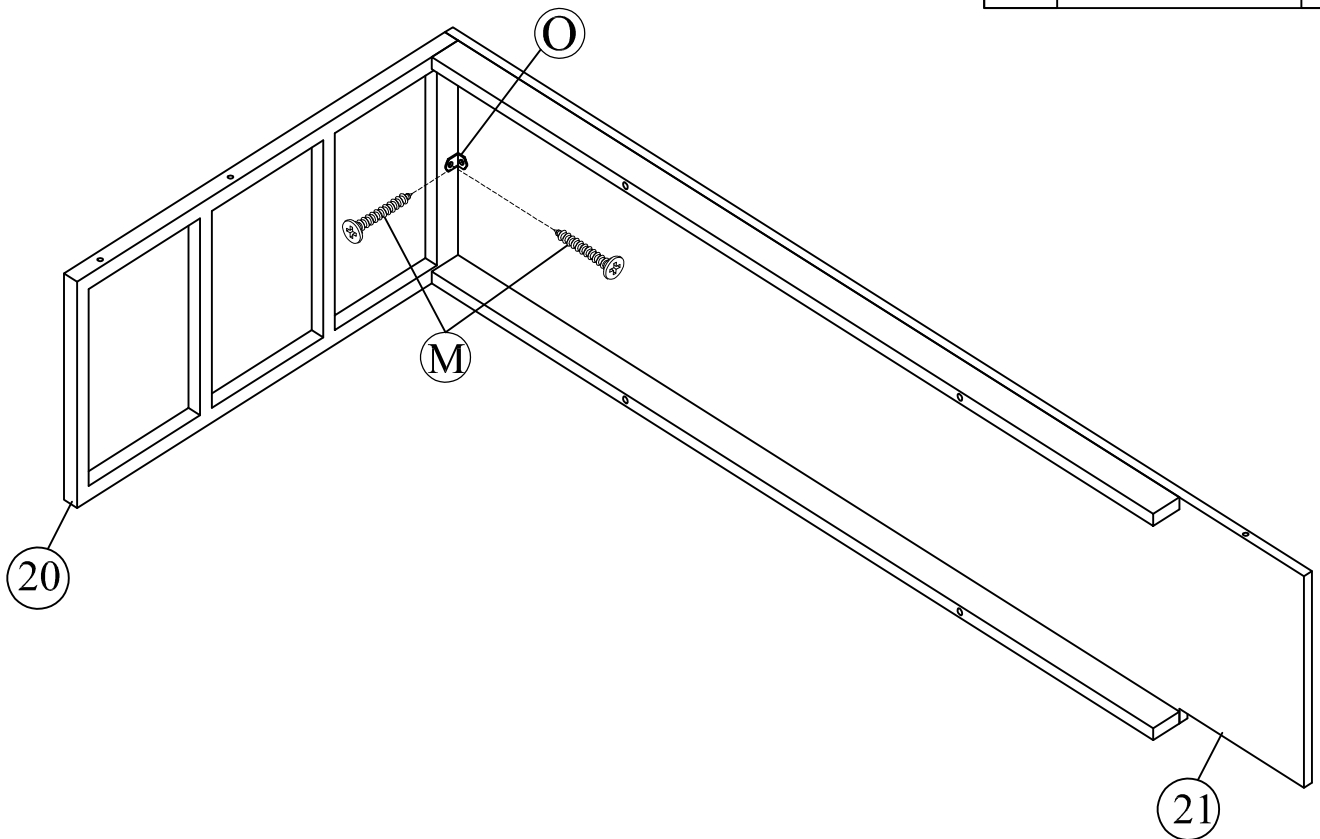
A		2pcs
---	---	------

**STEP 24:**

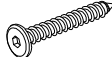


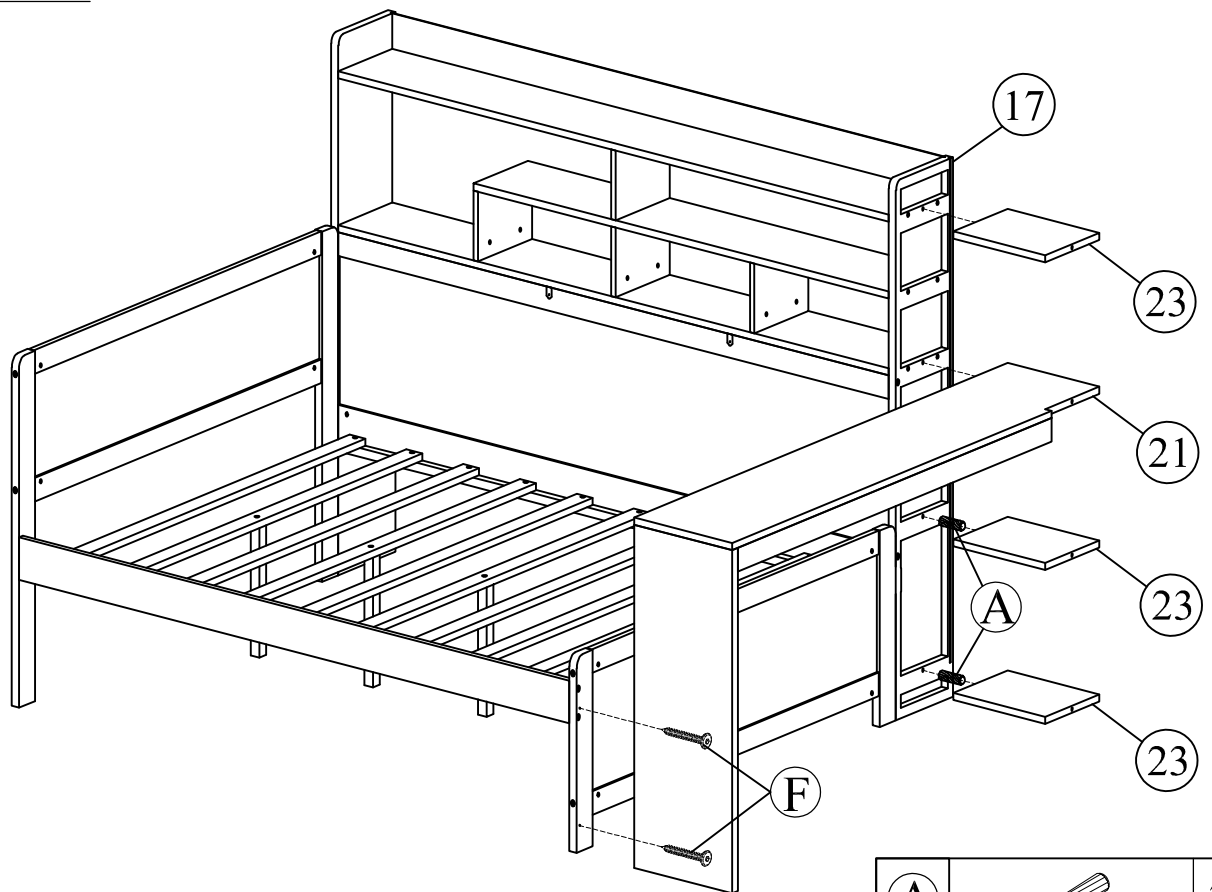
**STEP 25:**

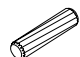
O		1pc
M		2pcs



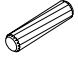
**STEP 26:**

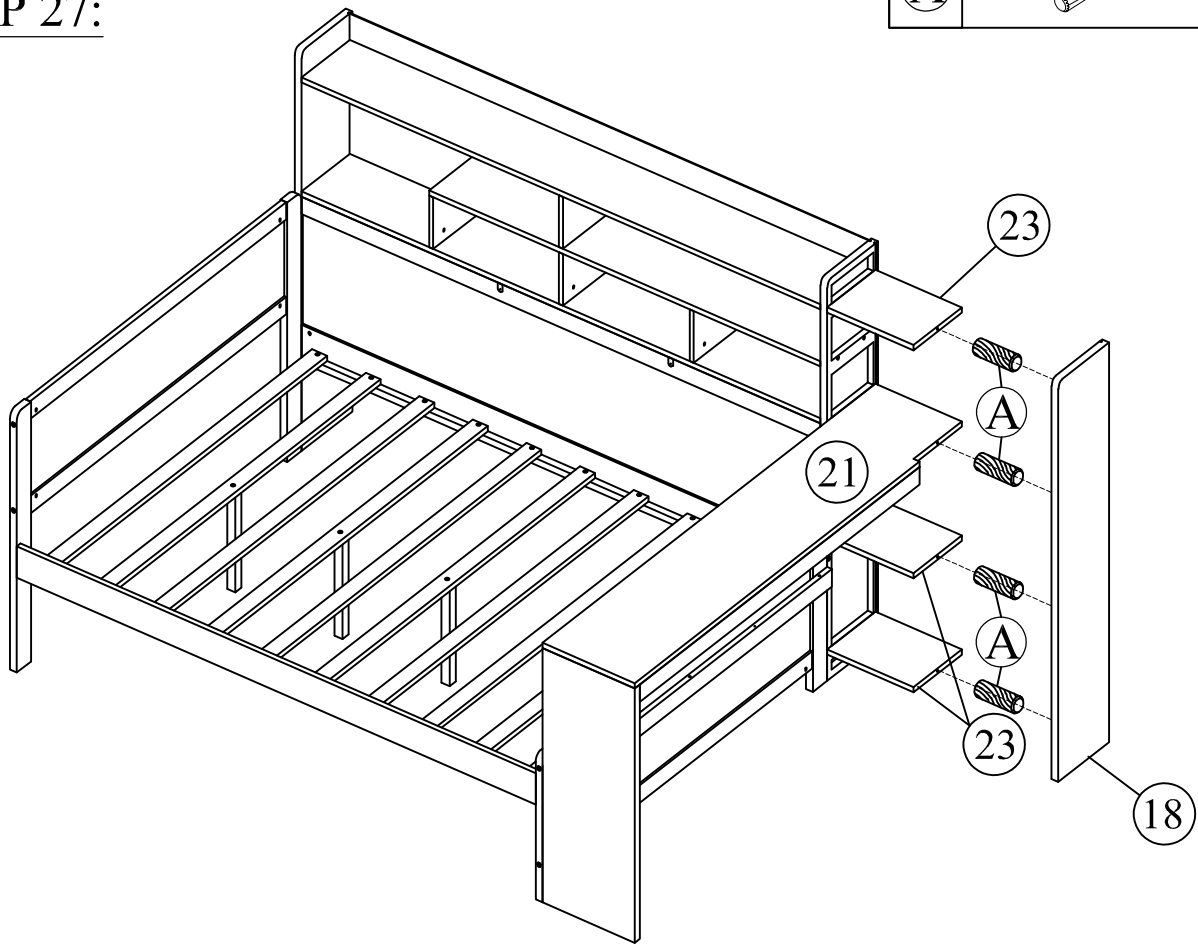
F		2pcs
---	---	------



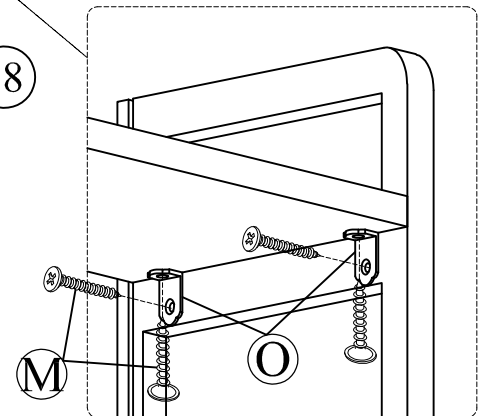
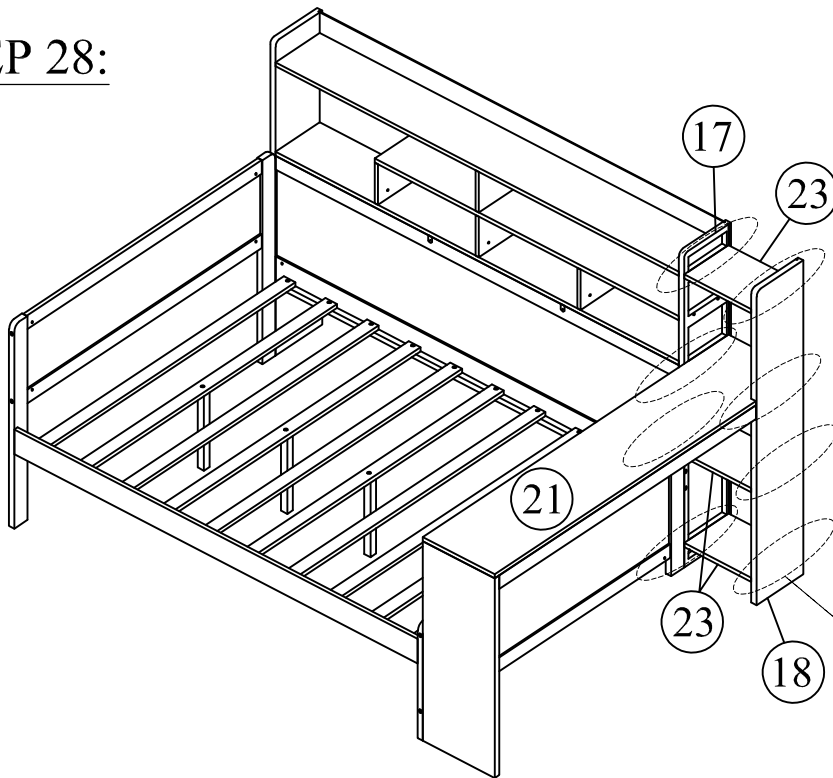
A		2pcs
---	---	------



**STEP 27:**

A		4pcs
---	---	------

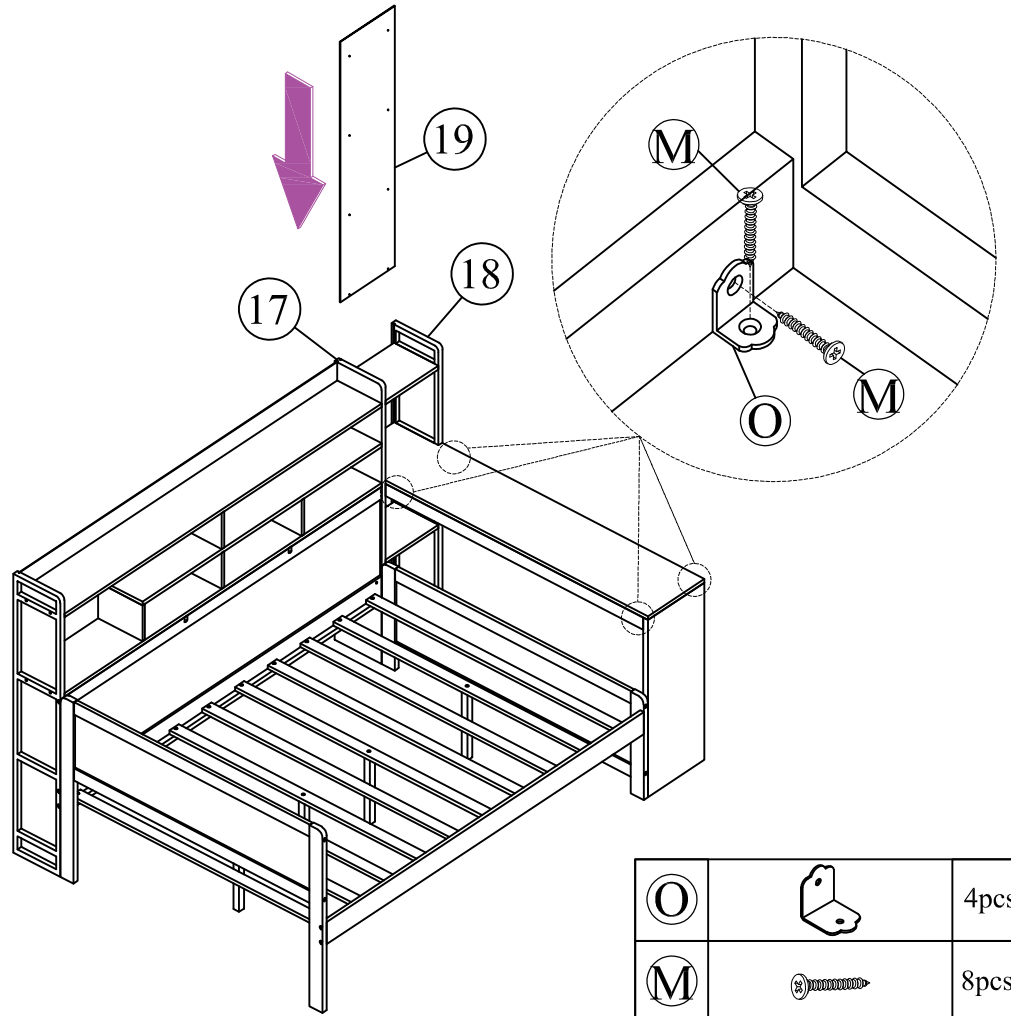




**STEP 28:**



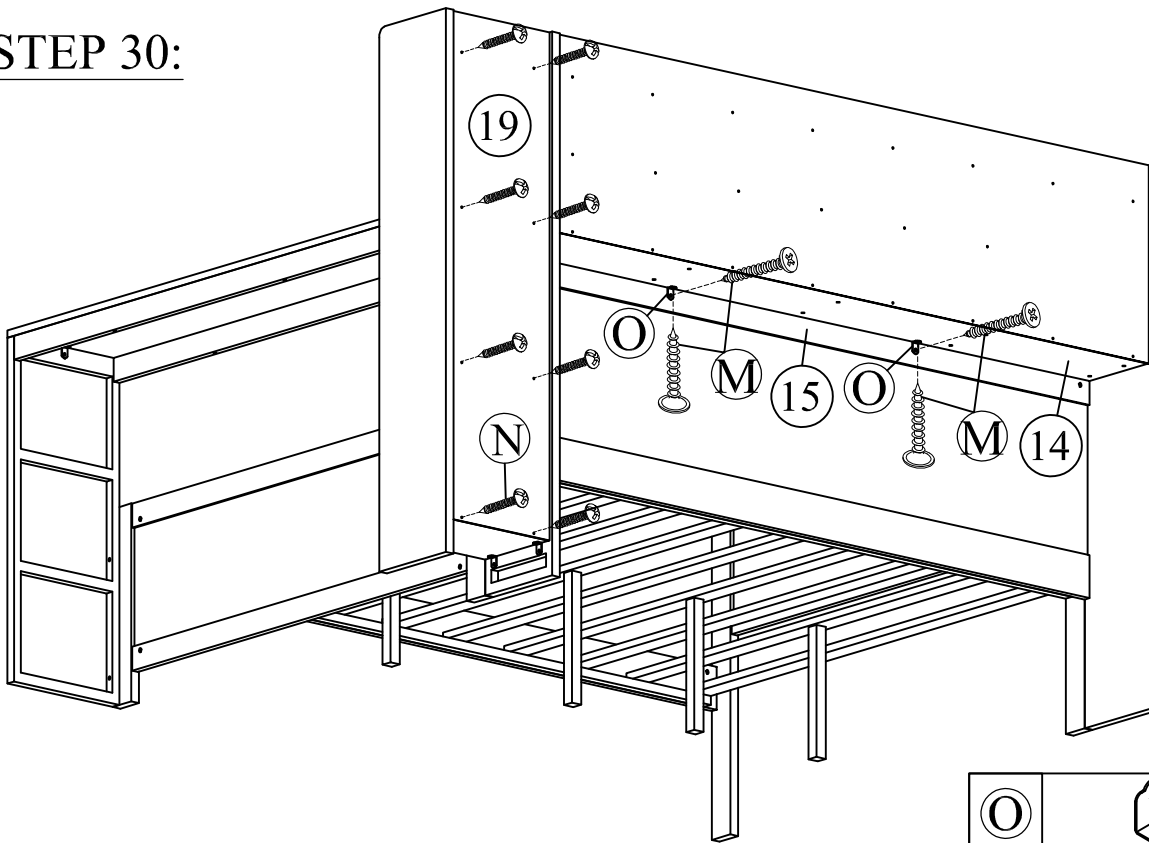
O		16pcs
M		32pcs




**STEP 29:**



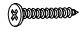
⊙		4pcs
Ⓜ		8pcs

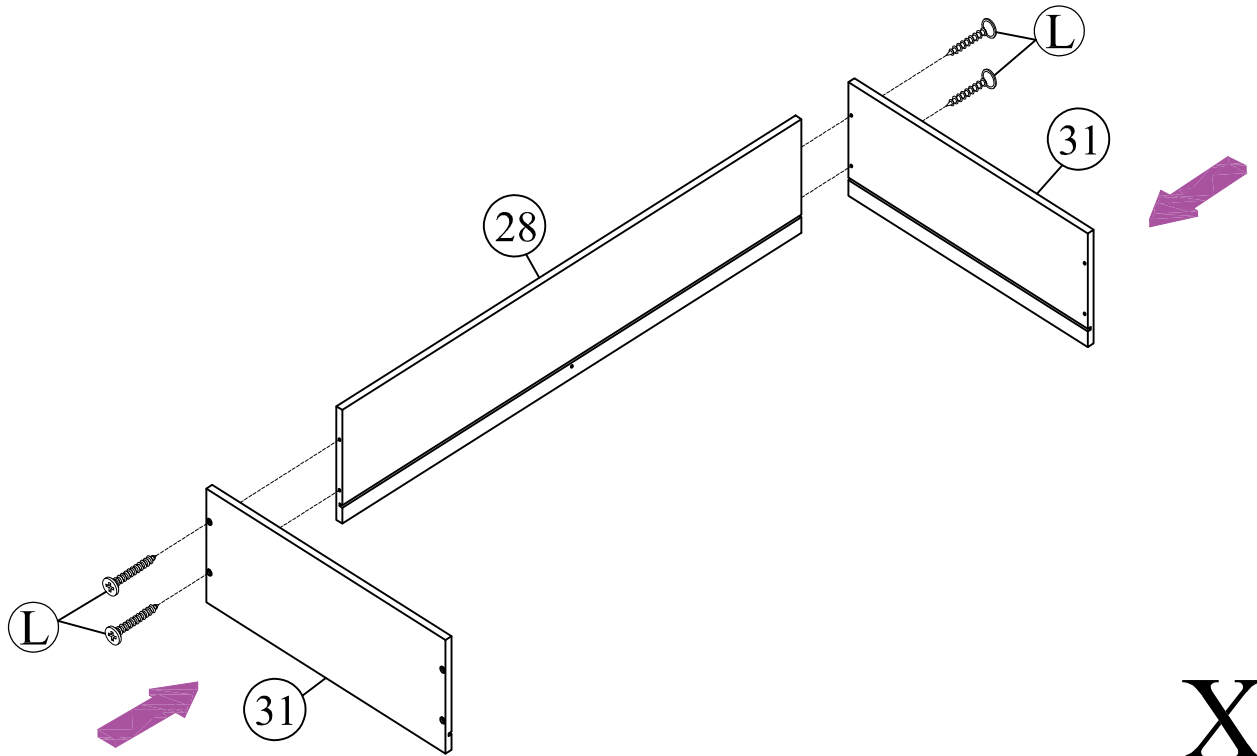
**STEP 30:**



⊙		2pcs
Ⓜ		4pcs
Ⓝ		8pcs

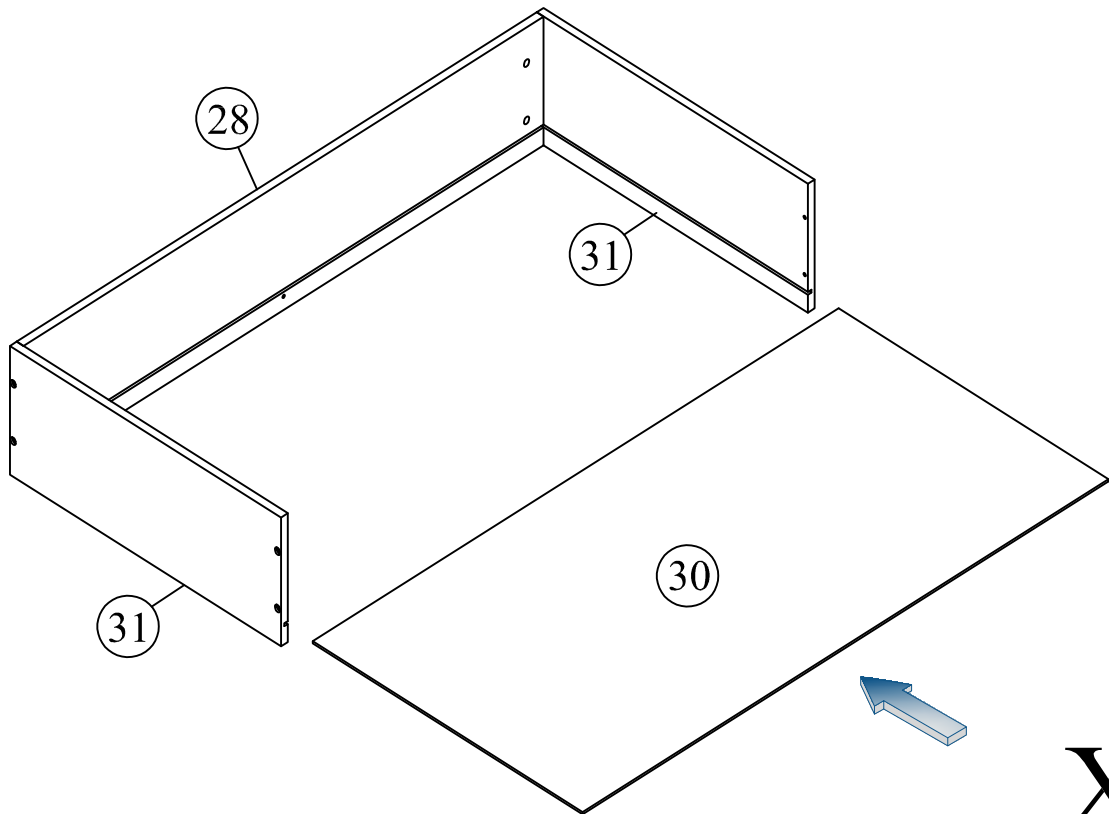
STEP 31:

(L)		8pcs
-----	---	------




X2

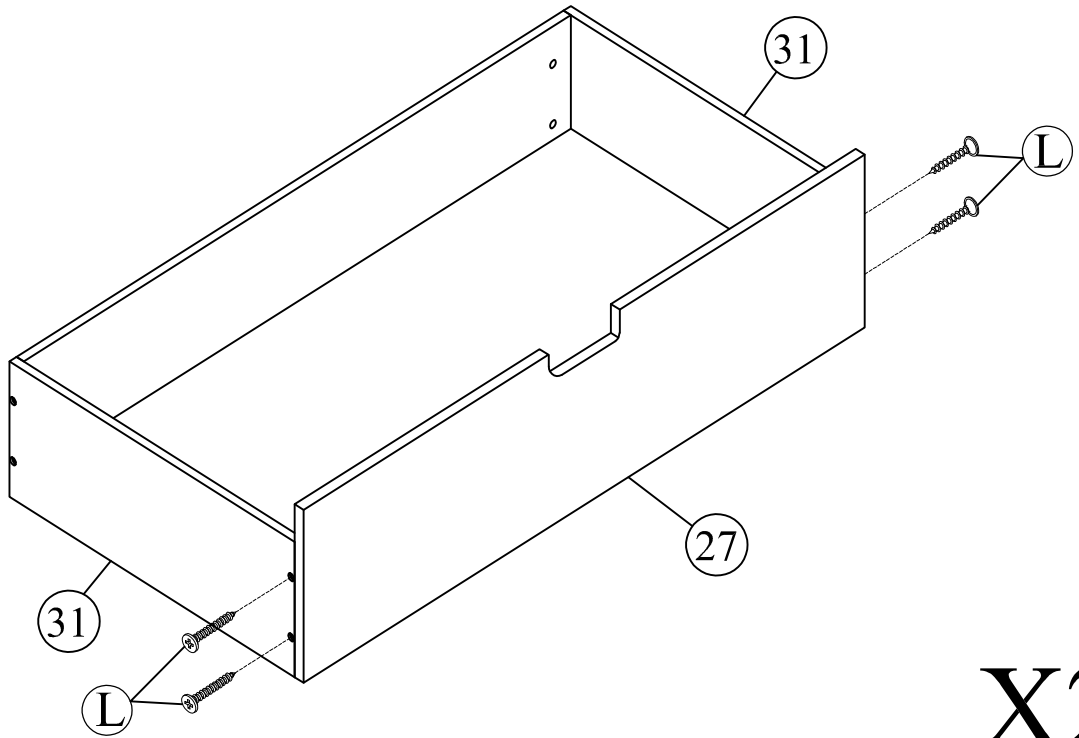
STEP 32:



X2

STEP 33:

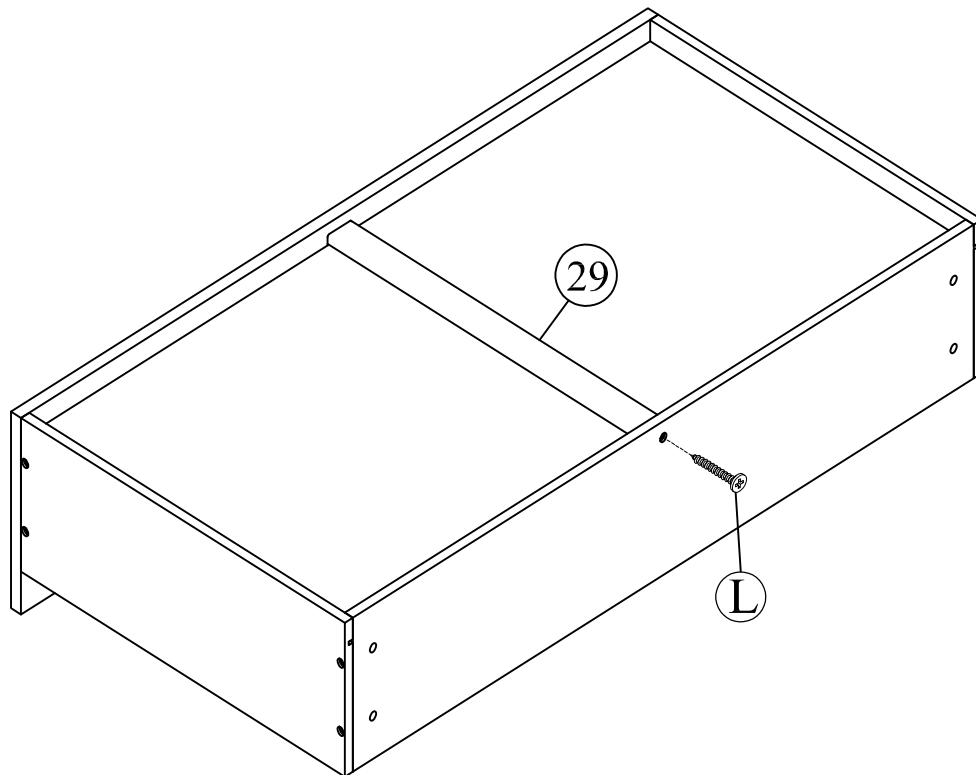
<b>L</b>		8pcs
----------	---	------



**X2**


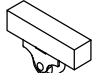
STEP 34:

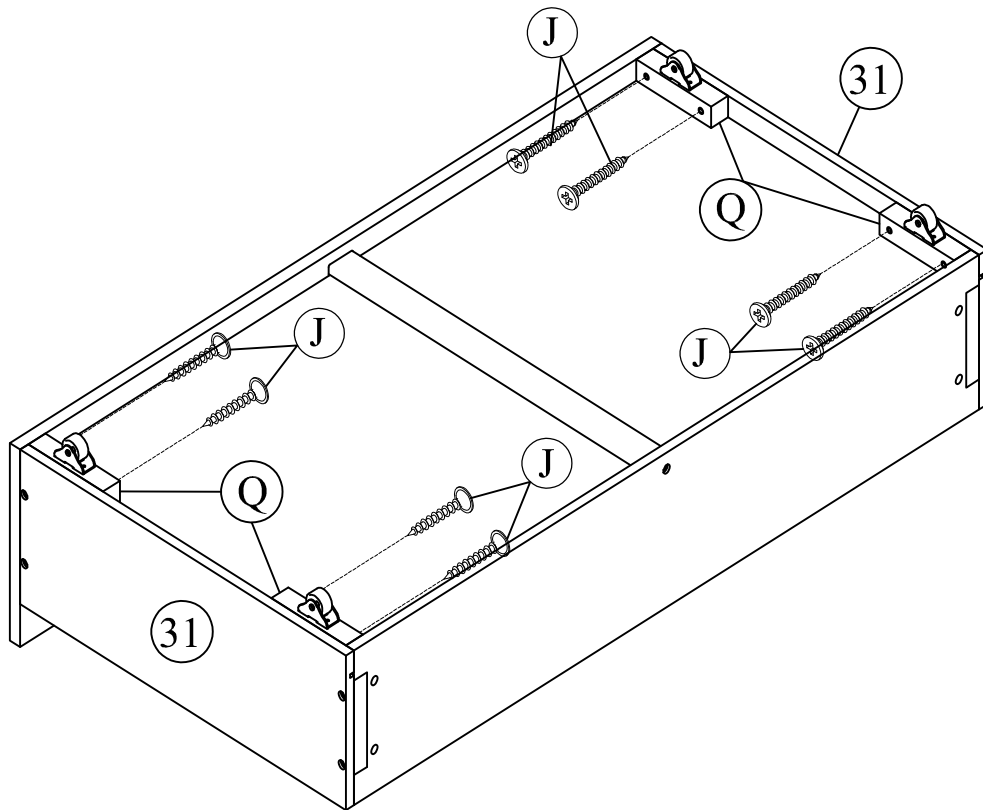
<b>L</b>		2pcs
----------	---	------



**X2**

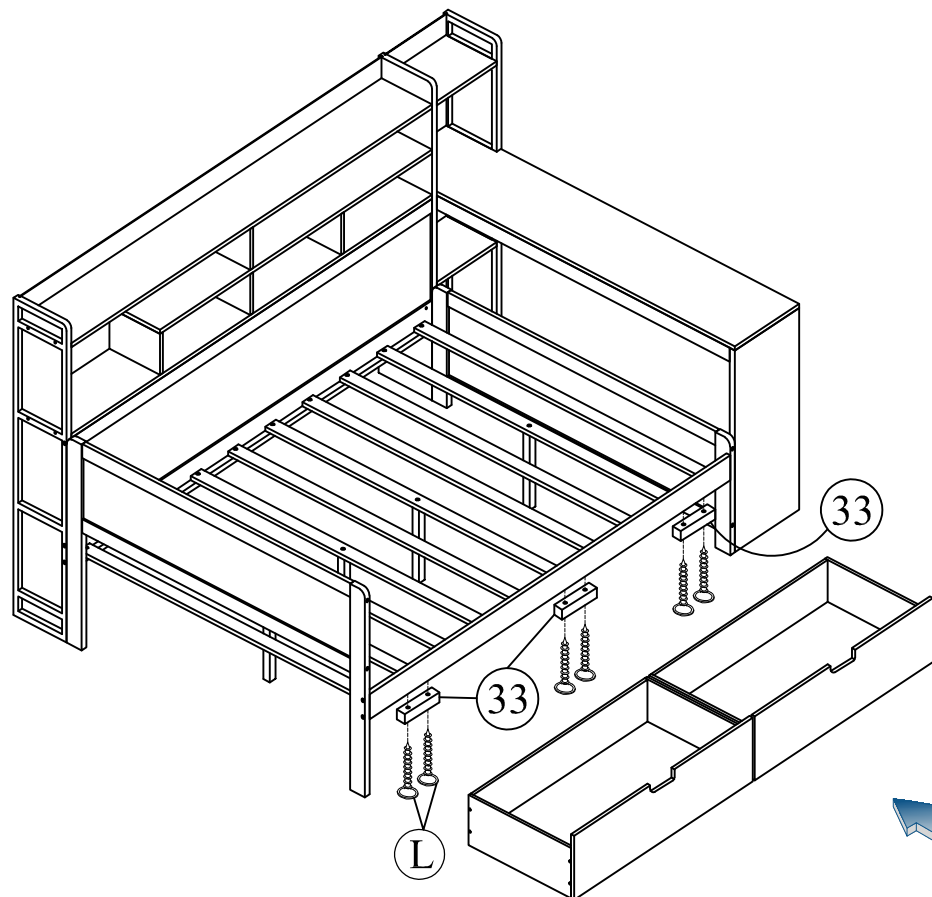
STEP 35:


J		16pcs
Q		8pcs



X2

STEP 36:



L		6pcs
---	---	------

FINAL:

