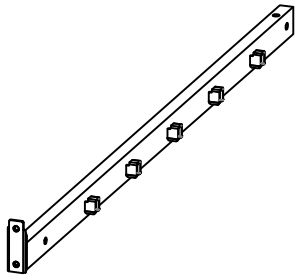


# Bed Frames

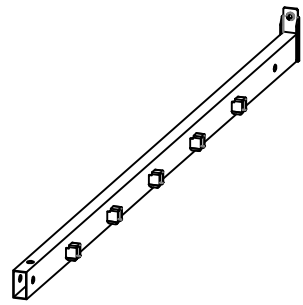


**T**

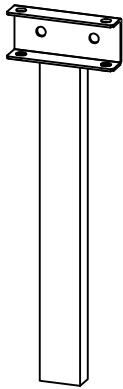
① x2



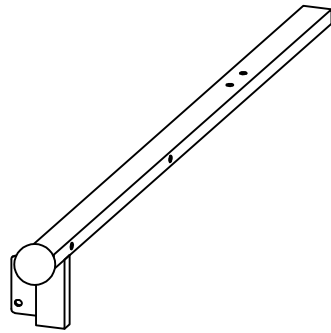
② x2



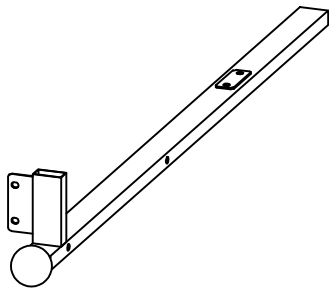
③ x2



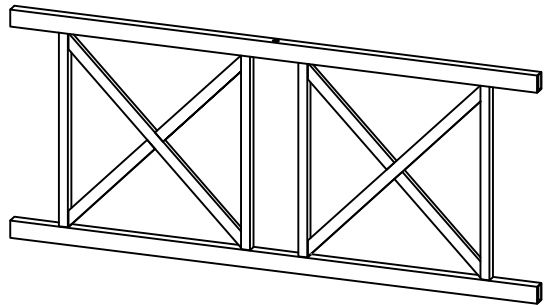
④ x1



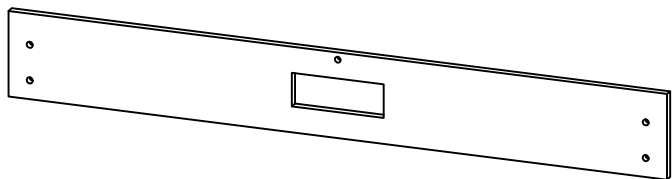
⑤ x1



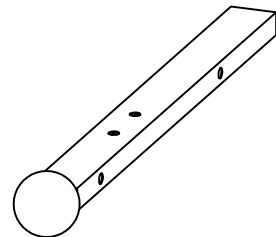
⑥ x1



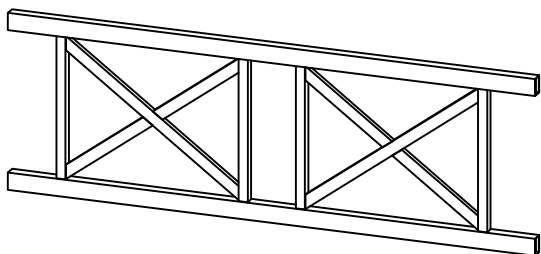
⑦ x1



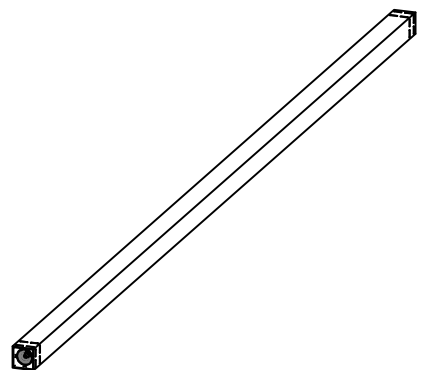
⑧ x2



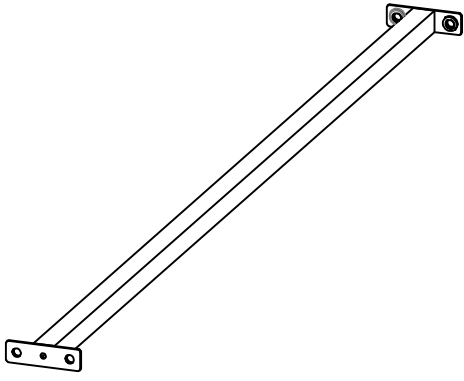
⑨ x1



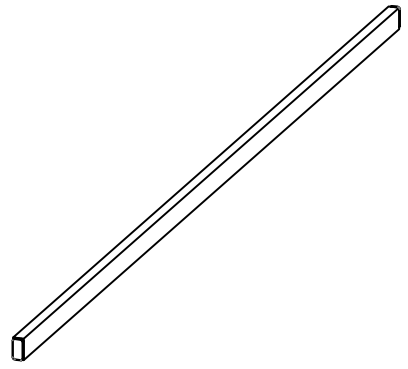
⑩ x2



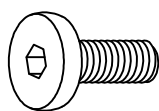
11 x1



12 x10

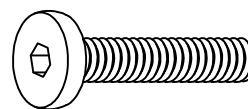


Ⓐ x 4+1



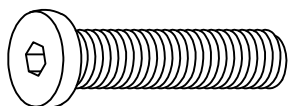
M6x10mm

Ⓑ x 1+1



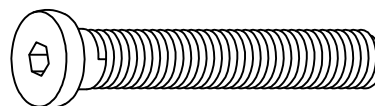
M6x38mm

Ⓒ x 12+1



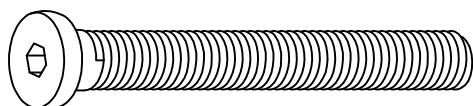
M8x35mm

Ⓓ x 8+1



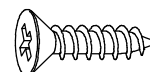
M8x50mm

Ⓔ x 8+1



M8x60mm

Ⓕ x 2+1



Ø4x10mm

Ⓖ x 1



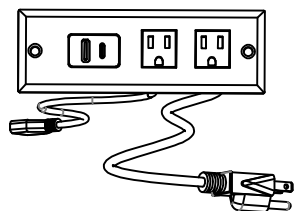
M4

Ⓗ x 1

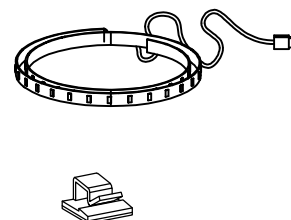


M5

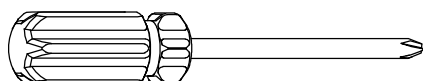
Ⓘ x 1



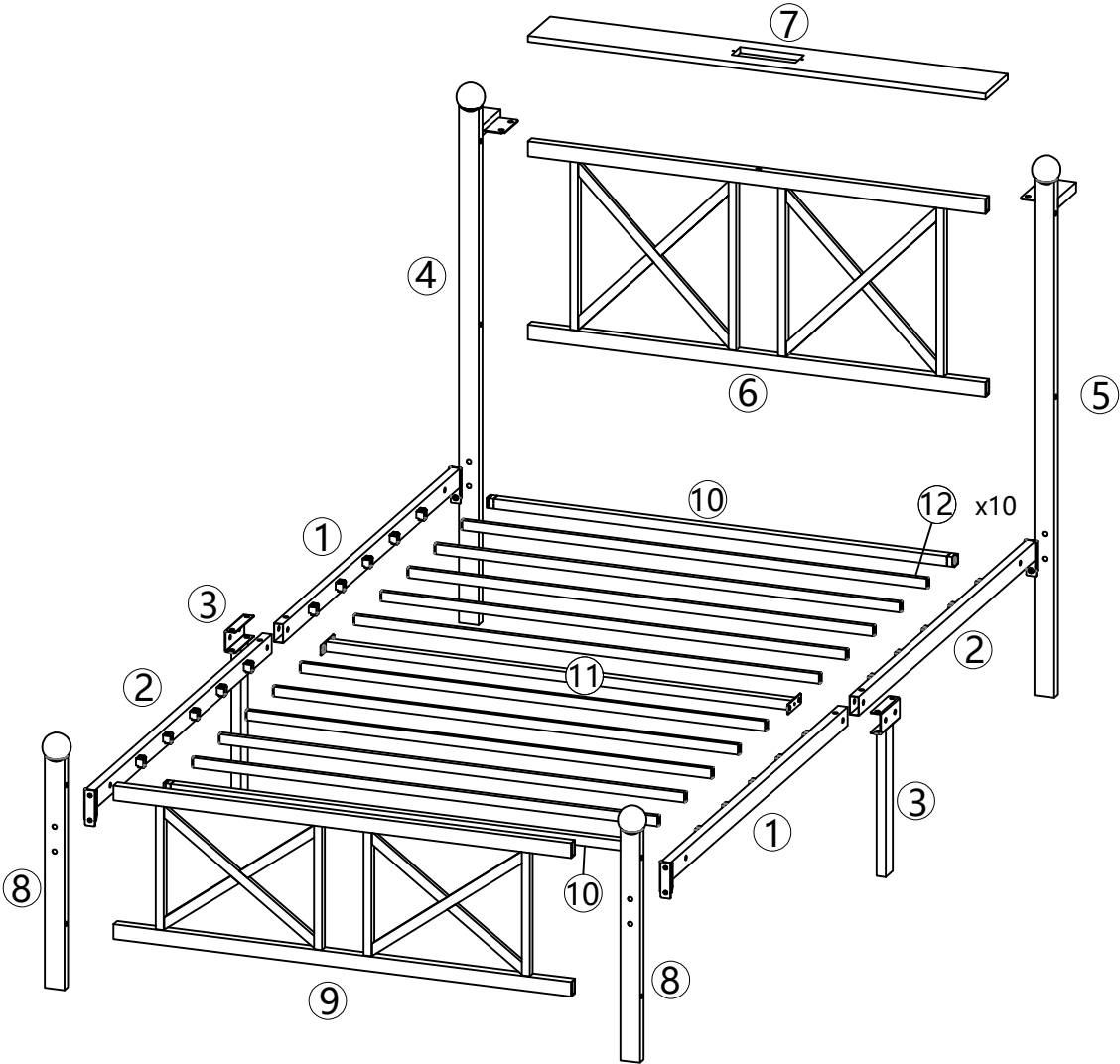
Ⓙ x 1



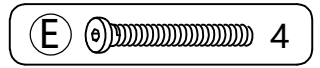
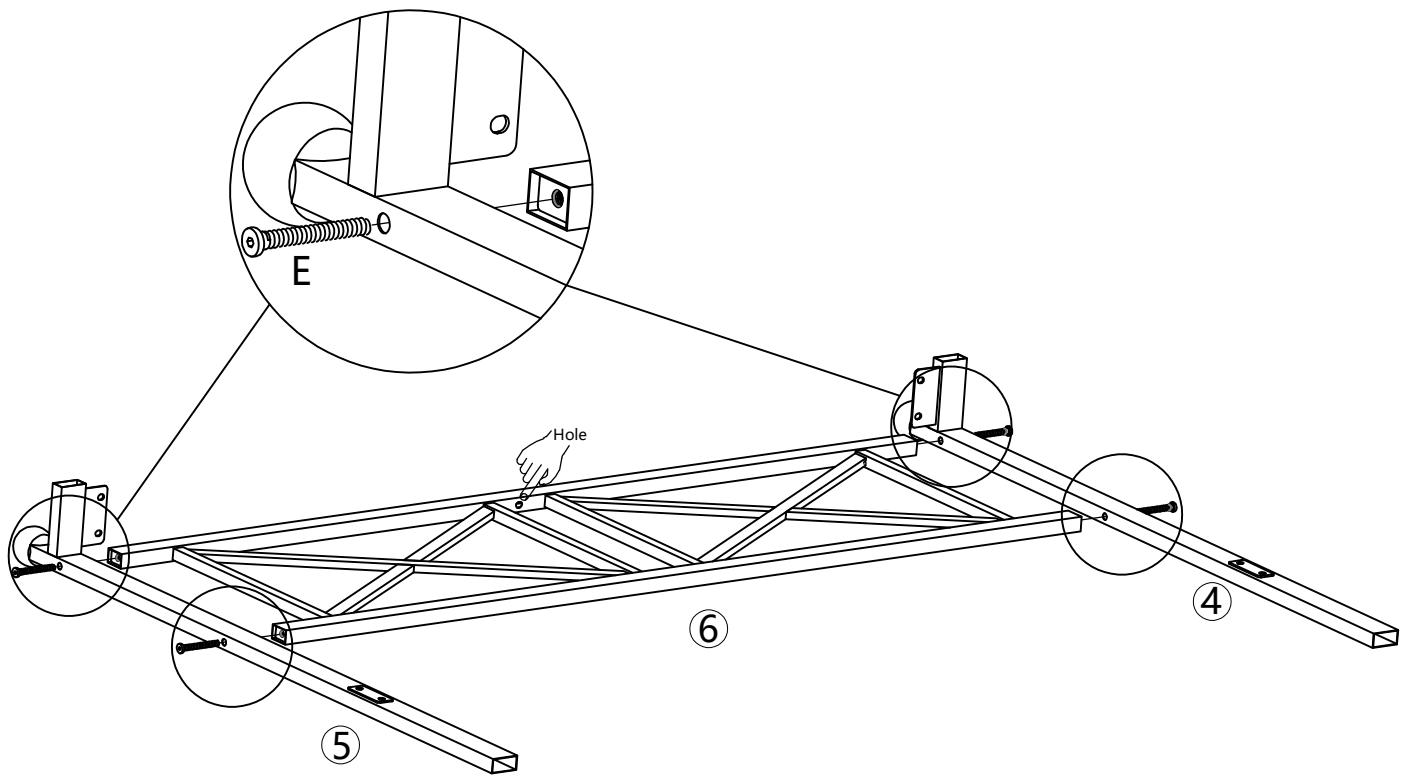
Ⓚ x 1



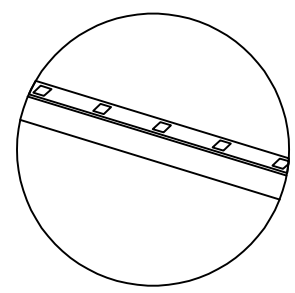
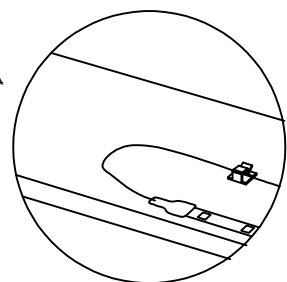
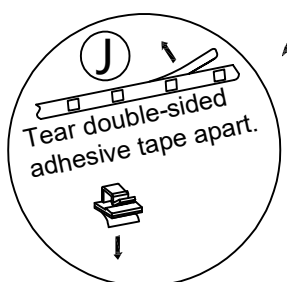
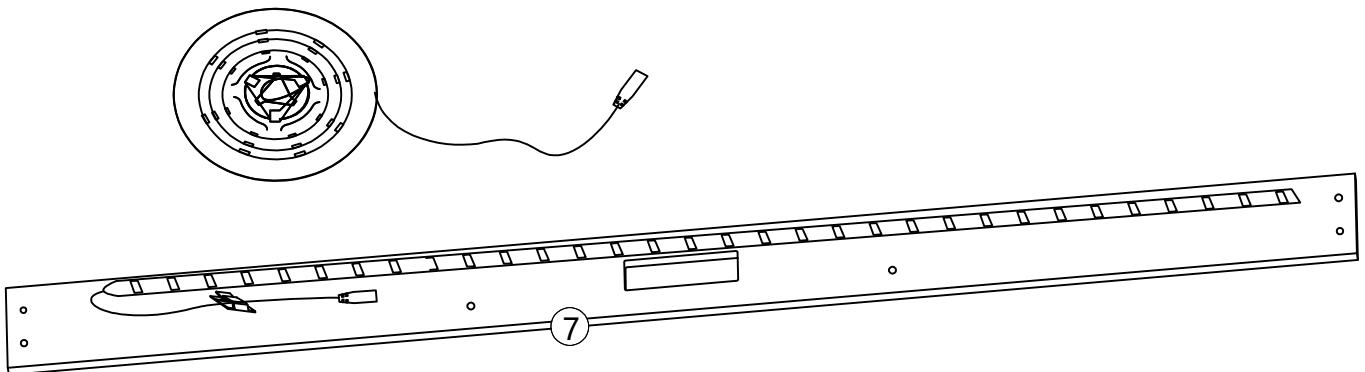
# Part list



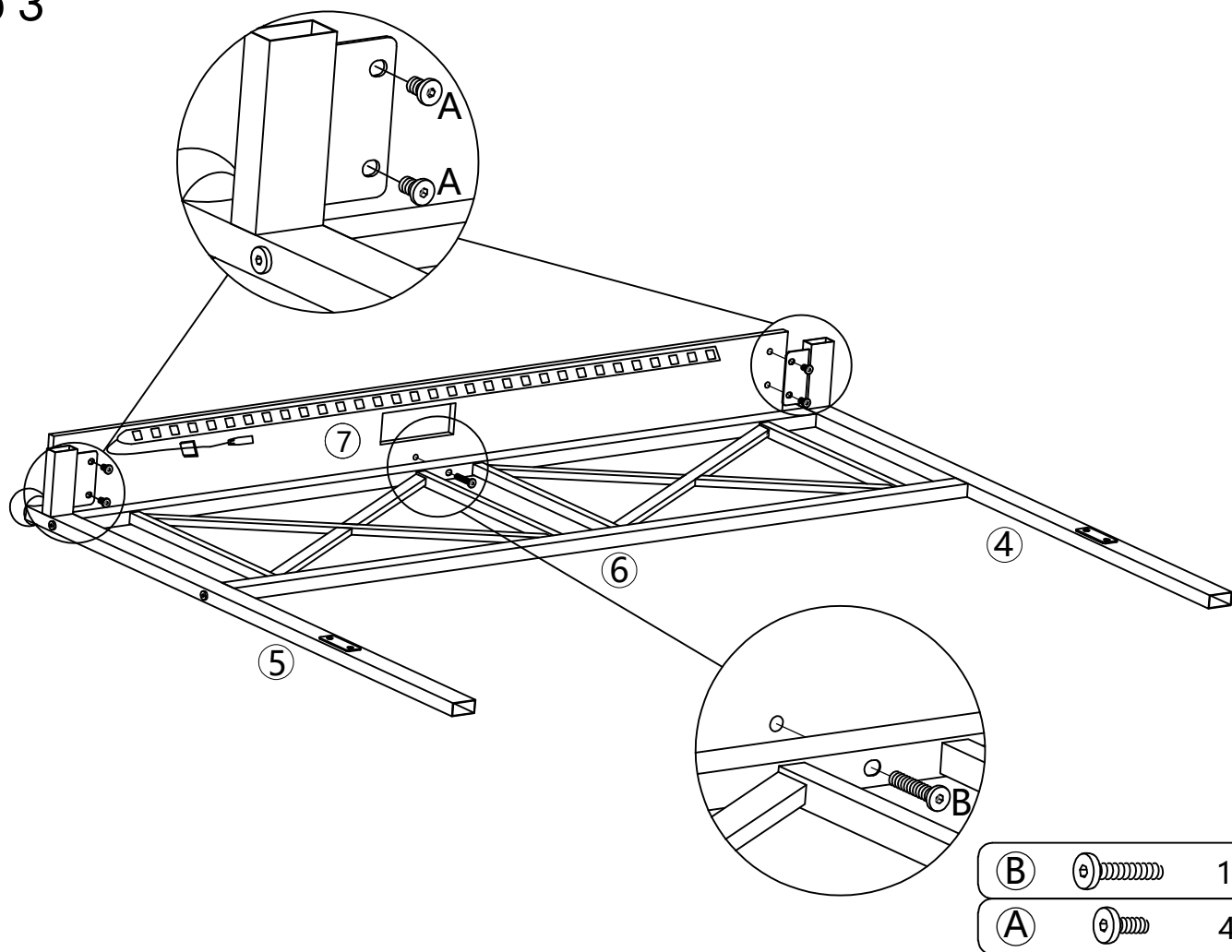
# STEP 1



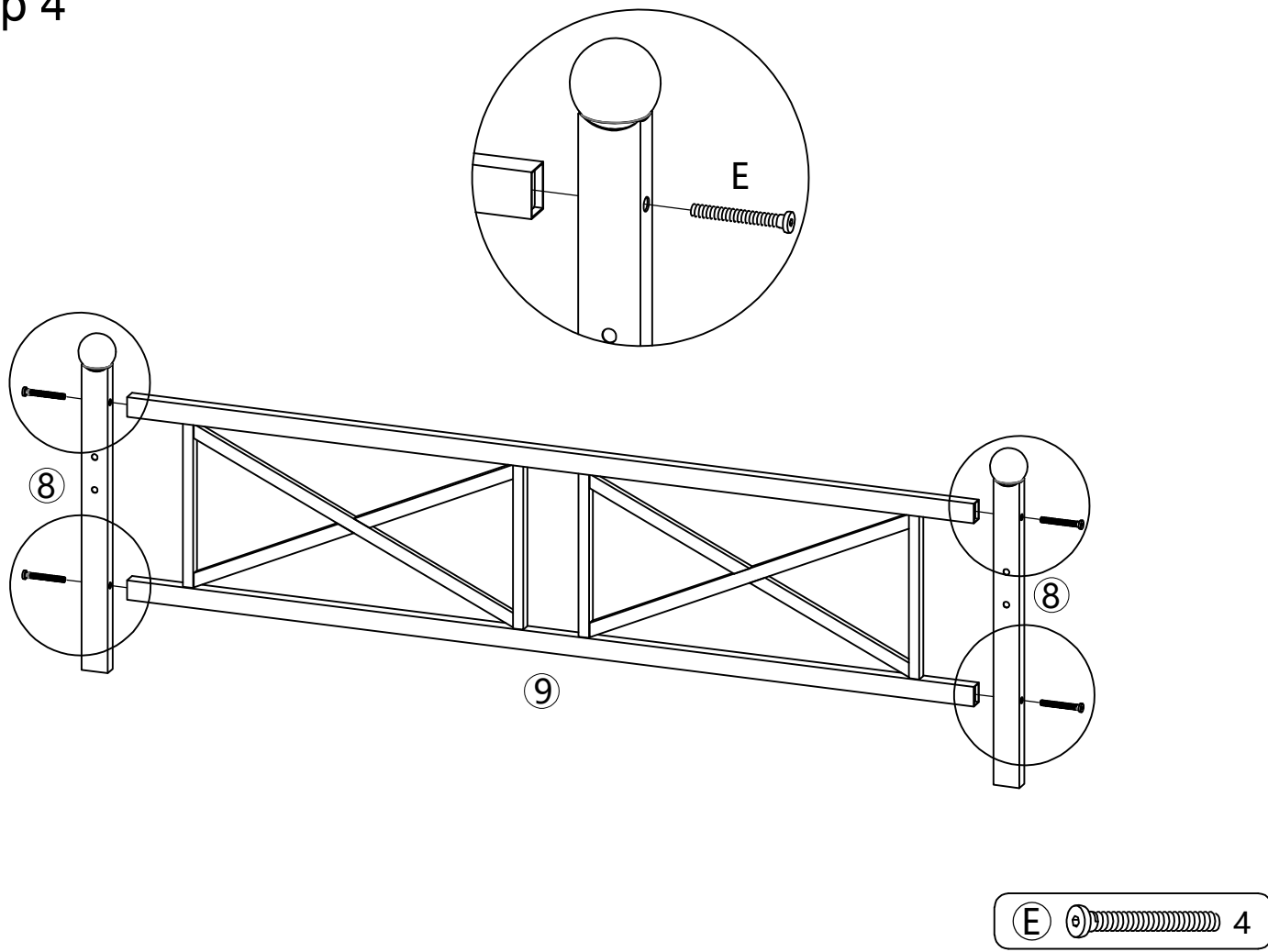
# Step 2



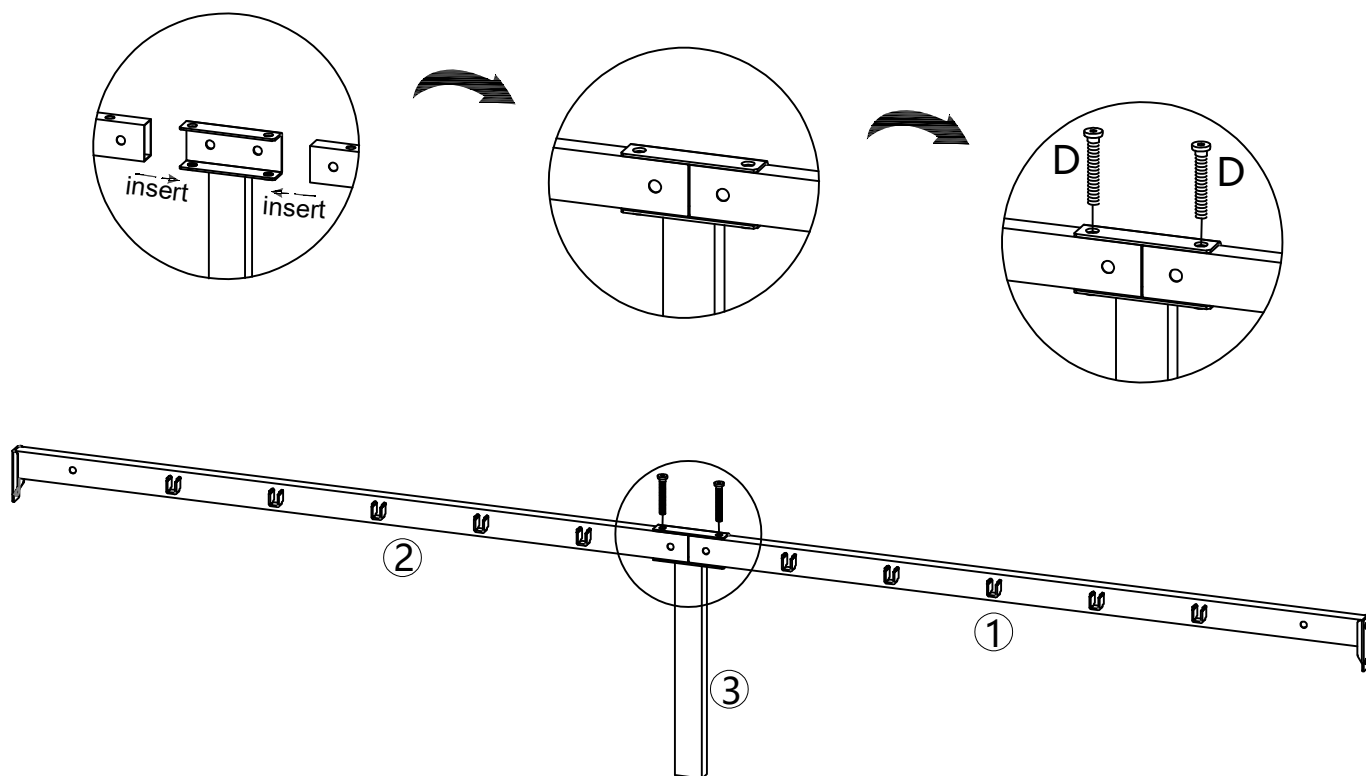
### Step 3



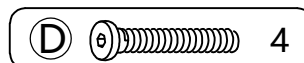
### Step 4



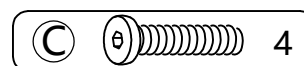
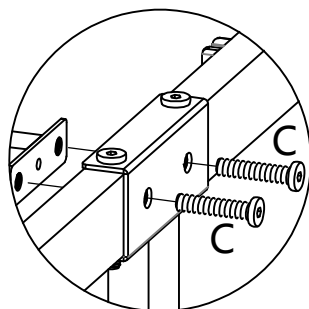
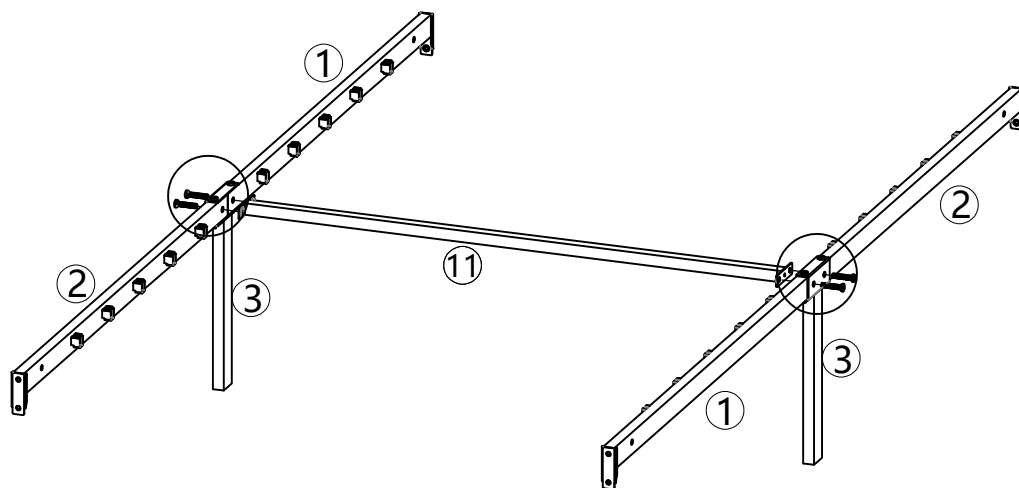
# Step 5



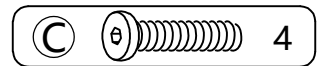
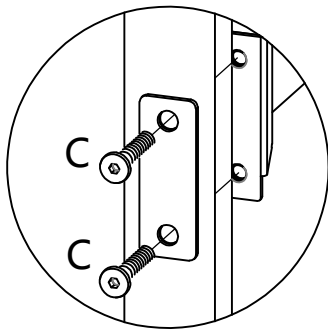
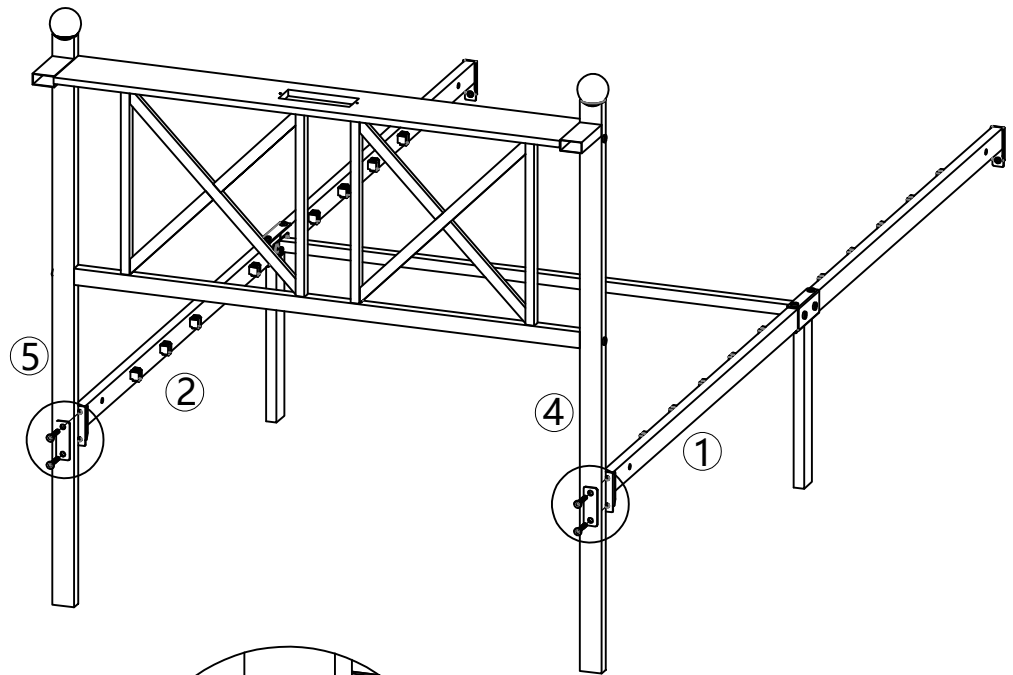
x 2



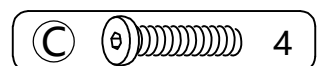
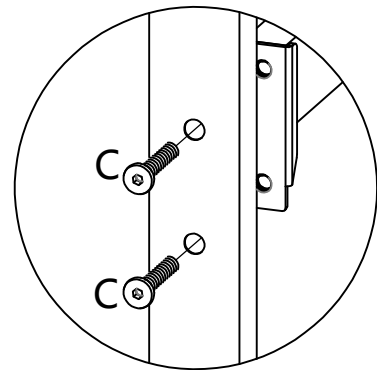
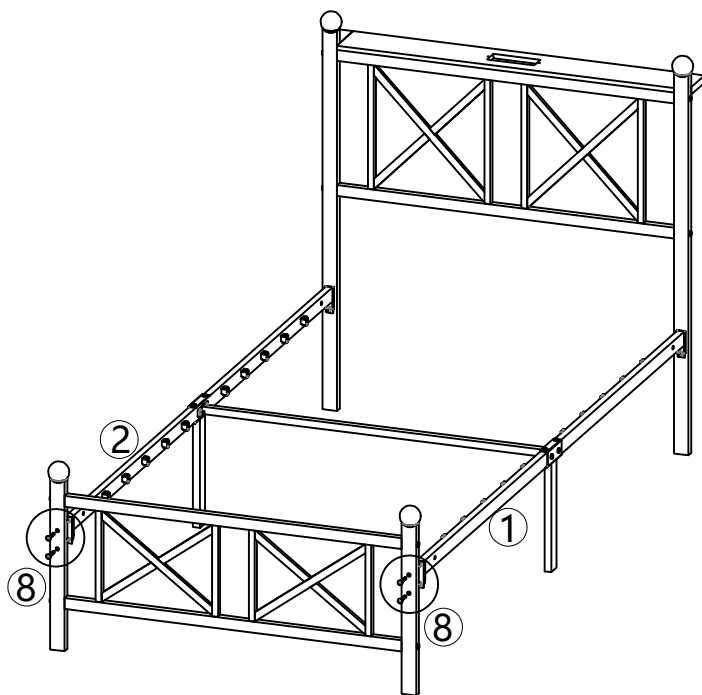
# Step 6



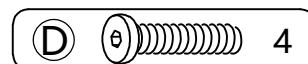
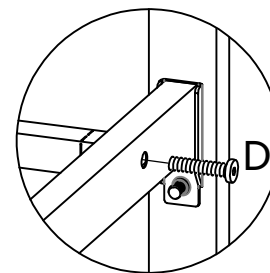
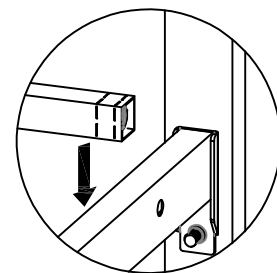
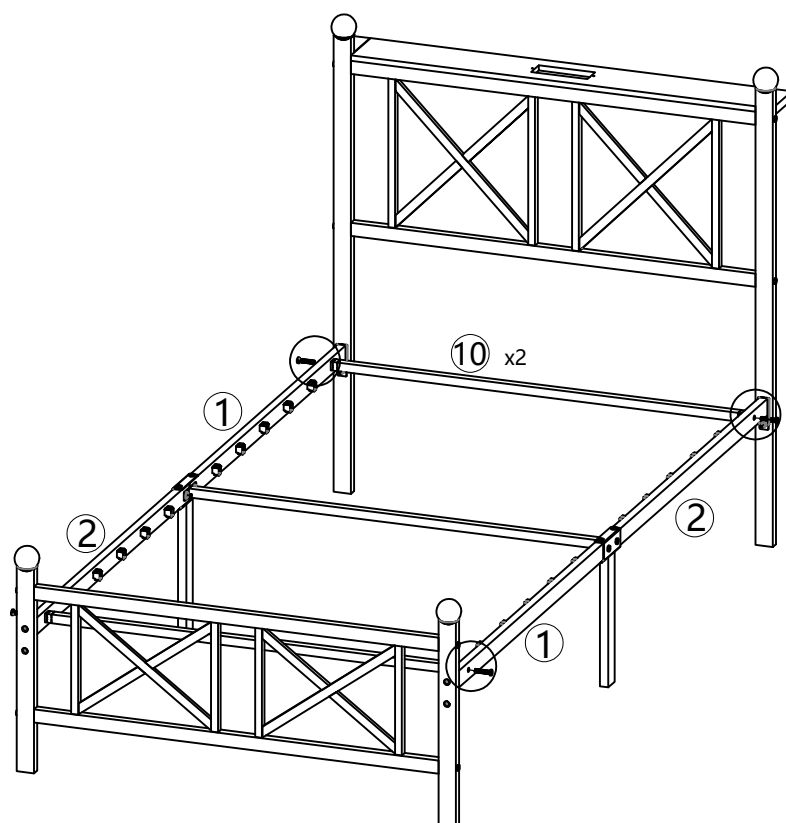
# Step 7



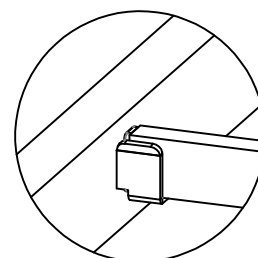
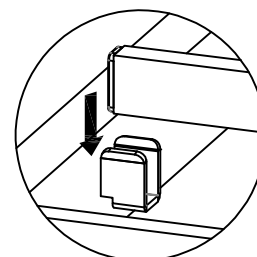
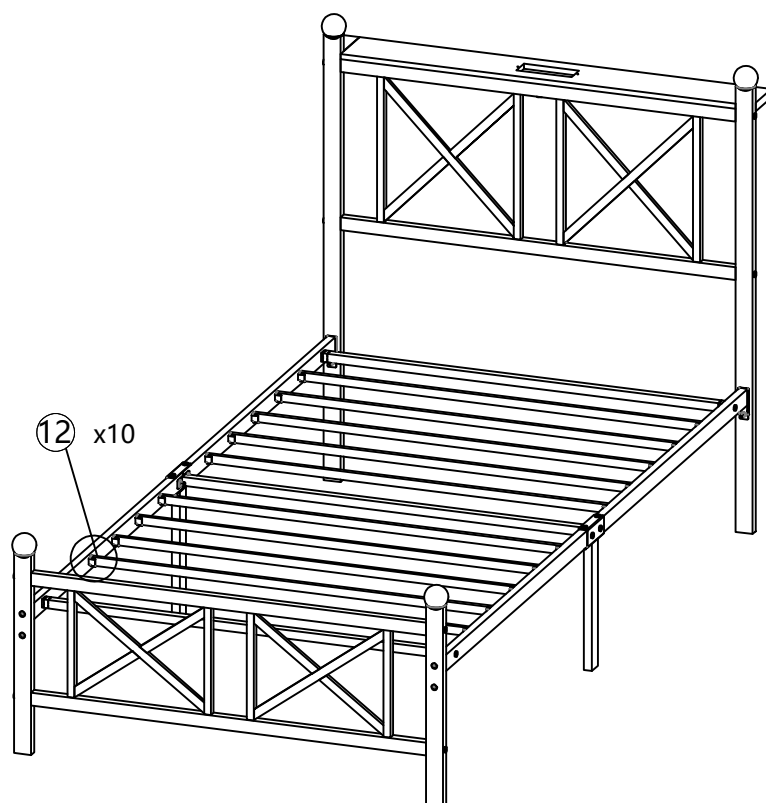
# Step 8



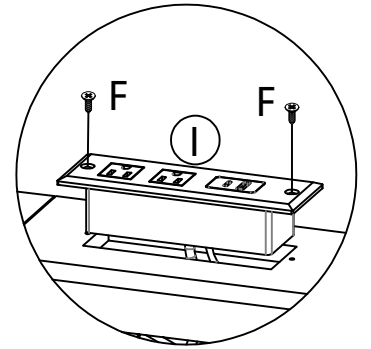
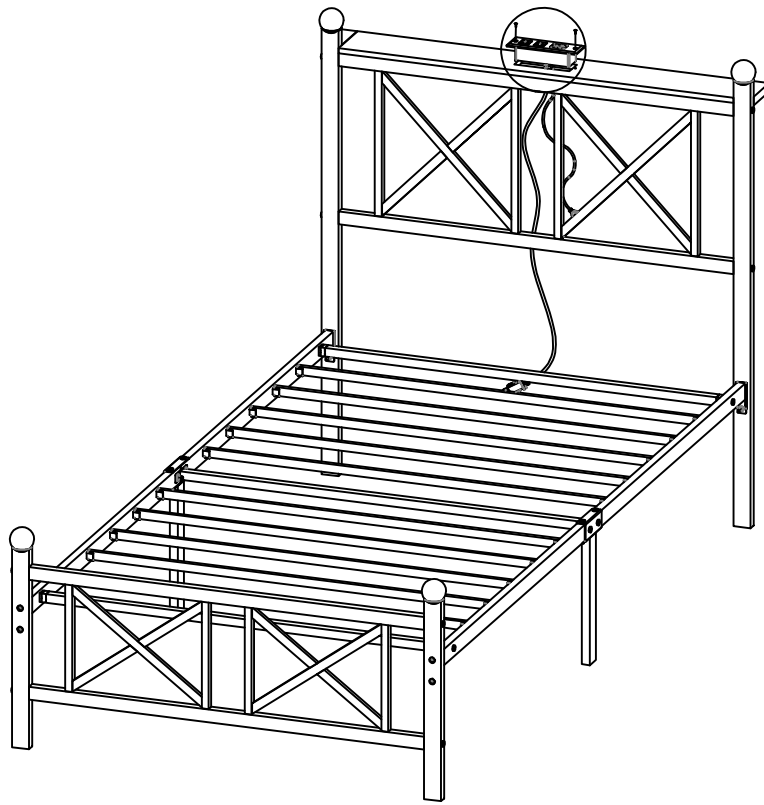
# Step 9




# Step 10



# Step 11



(F)  2

# Step 12

