









Assembly Instructions

Caution : You must read this before you proceed

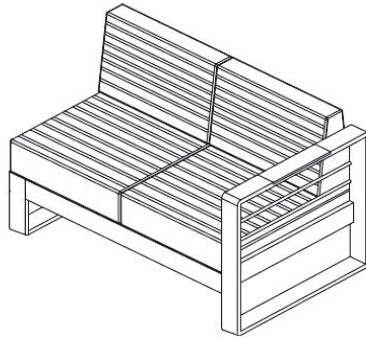
Care & Maintenance

- ⊘  ● Not for commercial use. For residential use only.
- ⊘  ● Do not put hot items directly on furniture surface.
- ⊘  ● Do not clean furniture with harsh cleansers or polish.
- ✓  ● To obtain the longest lifespan of your outdoor products, minimizing exposure to direct sunlight is recommended.
- ⊘  ● Children should not climb or jump on the furniture.
- ⊘  ● Do not write on furniture without a padded barrier to protect the surface.
- ✓  ● To obtain the longest lifespan of your outdoor products, avoid extended and lengthy exposure to rain, snow, and direct sunshine. Whenever possible cover the product and /or place under patio or awnings.
- ⊘  ● Stains may be removed with mild soap solution and damp cloth.

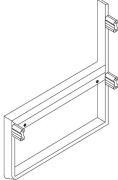
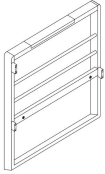
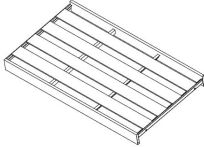

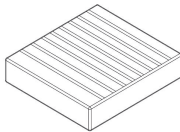
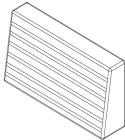
- ✓  ● Dust and pick-up spills using a clean, non-colored, lint-free cloth.

Please look in boxes for hardware packs and legs.
Sets often ship in multiple boxes and may arrive a day or two apart.

Right Sofa



Parts List

Label	Picture	Description	QTY
A		Left Side Panel	1
B		Right Side Panel	1
C		Seat	1
D		Back Support Bar	1
E		Back Cushion	2
F		Seat Cushion	2

Hardware

Label	Picture	Description	QTY
①		Bolt (M6*20MM)	5
②		Bolt (M6*25MM)	7
③		Allen wrench	1

Assembly Preparation

Before Beginning Assembly:					
	A	B	C	D	E x 2
			① x 5		② x 7
	F x 2				③



- Read instructions, cover to cover-



- Have 2 adults on hand for assembly-



- Do not assemble on flooring or carpet-



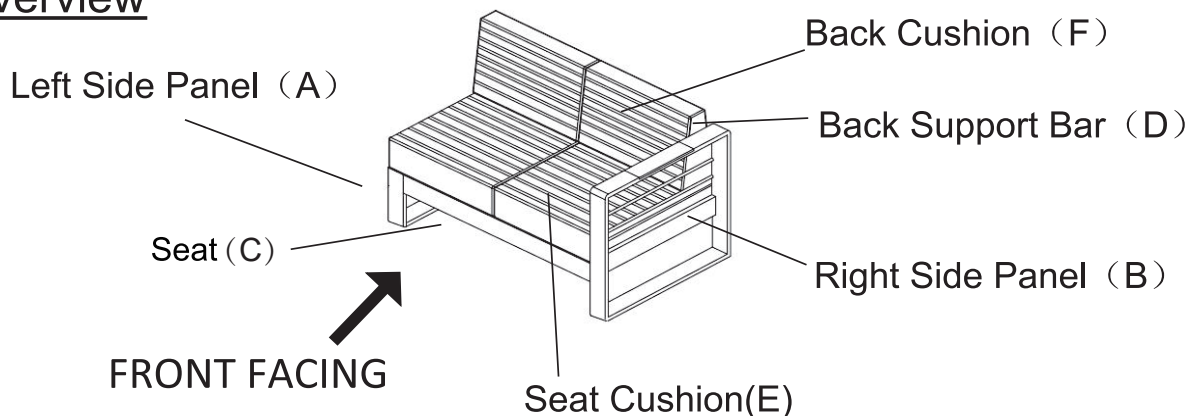
- Assemble on a clean non-marring surface (packing foam)-



- Save all packaging until finished-

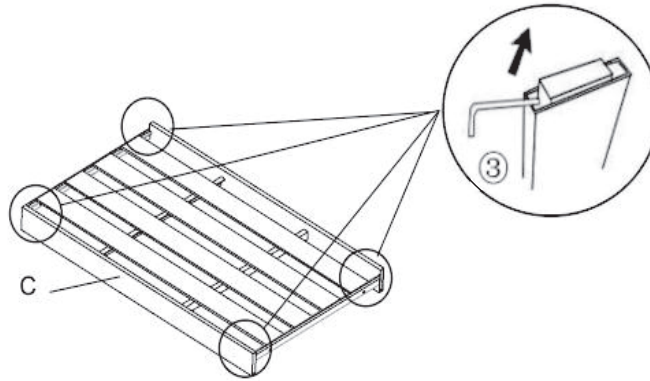
Assembly Steps

Overview



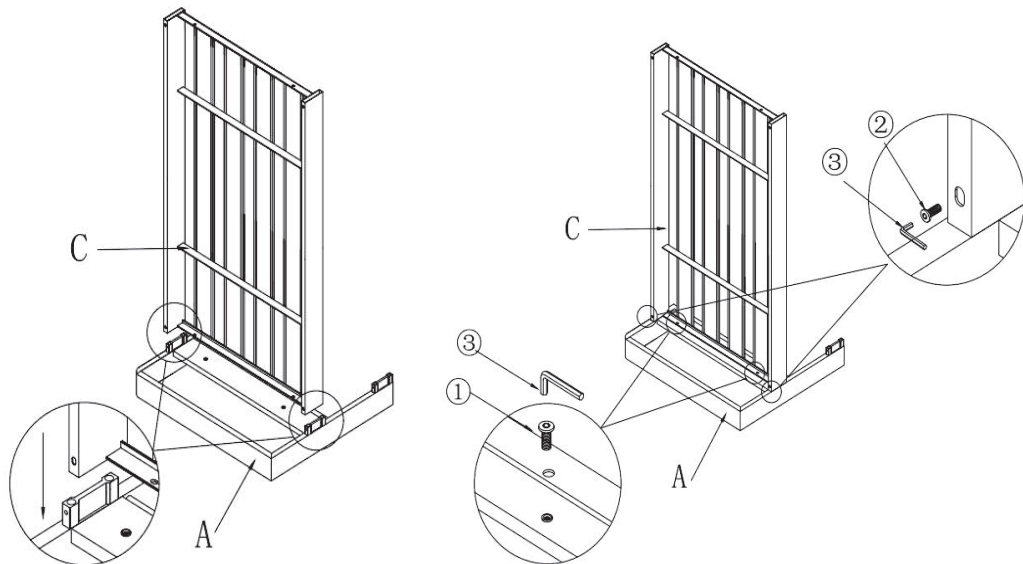
This sofa has multiple parts and may require up to 30 minutes to assemble. To give you an overview of the Loveseat parts, the above picture is to help you put the various parts into perspective. Please read through the instructions below to familiarise yourself with the parts and steps before assembly.

Step 1



Open the carton and place all parts on a clean, unbroken surface.
Take out the sliders in the four ends of the Seat (C) using the Allen wrench (3).
If necessary, keep the plastic plug for repackaging.

Step 2



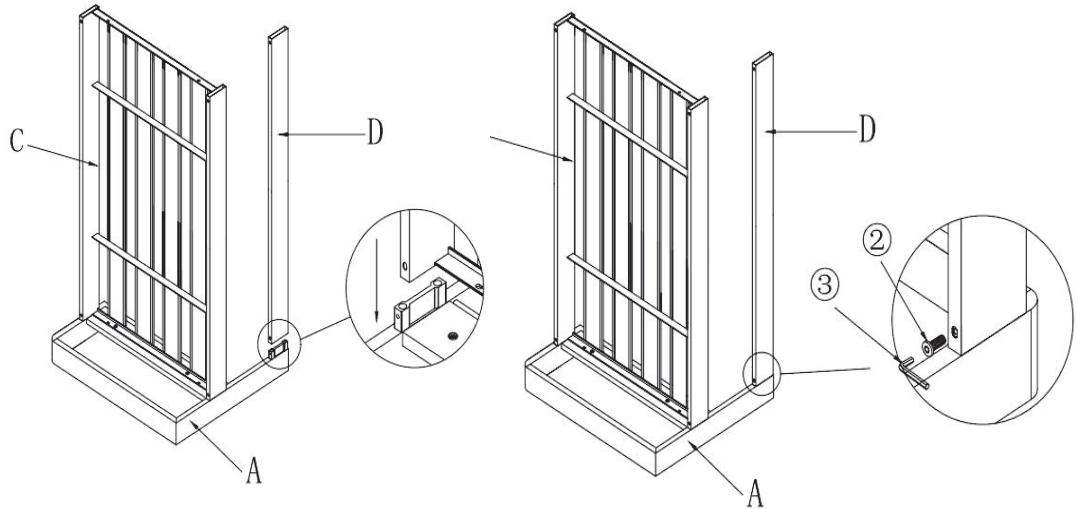
Place the Side Panel (A) with its inside facing up.

2.1) Insert Seat (C) into the Left Side Panel (A).

2.2) Attach the Seat (C) to Left Side Panel (A) using Bolts (1) + Bolts (2) with Allen wrench (3) as shown above.

Do not fully tighten Bolts.

Step 3

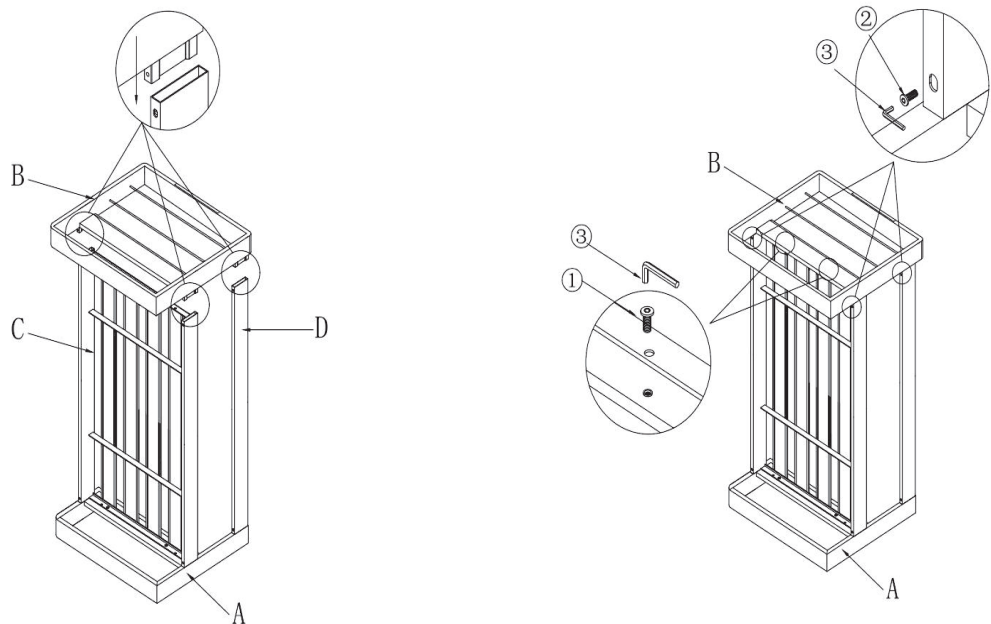


3.1) Insert the Back Support Bar (D) into the Side Panel (A).

3.2) Attach the Back Support Bar (D) to the Side Panel (A) using Bolt (2) with Allen wrench (3).

Do not fully tighten Bolts.

Step 4

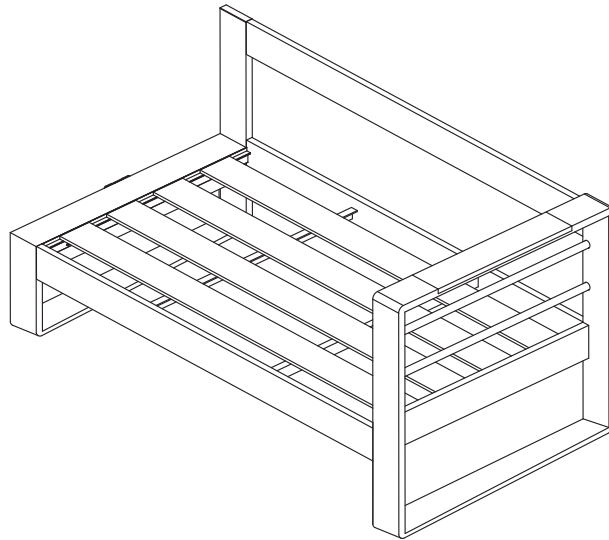


4.1) Insert the Right Side Panel (B) into the Back Support Bar (D) and Seat (C) as shown above.

4.2) Attach the Right Side Panel (B) to Back Support Bar (D) and Seat (C) using Bolts (2)+Bolts(1) with Allen wrench (3) as shown above.

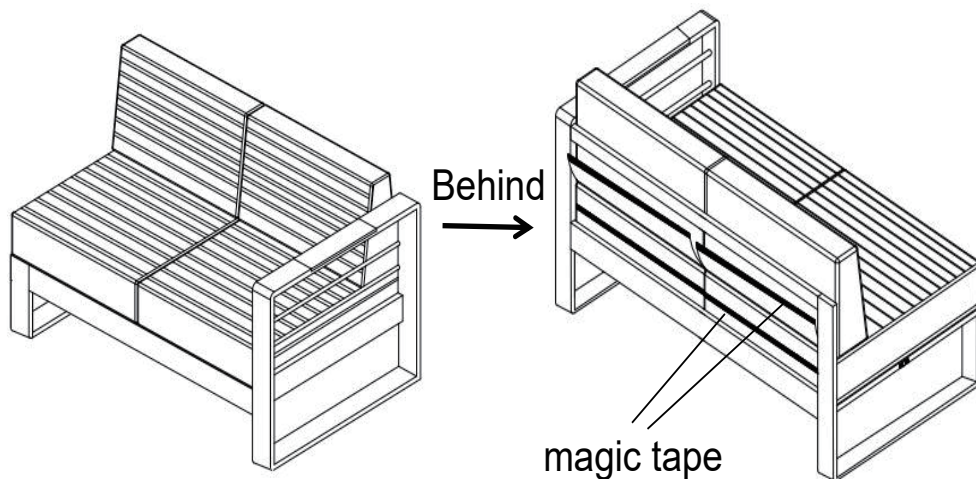
Do not fully tighten Bolts.

Step 5



Place the sofa upright and test for stability.
Then in a sequential manner, proceed to fully tighten all Bolts at all joints

Step 6



Put Seat Cushions (E) and Back Cushions(F) on the Sofa and stick the magic tape from back cushion to seat cushion as shown above.
Your Right Sofa is ready for use.